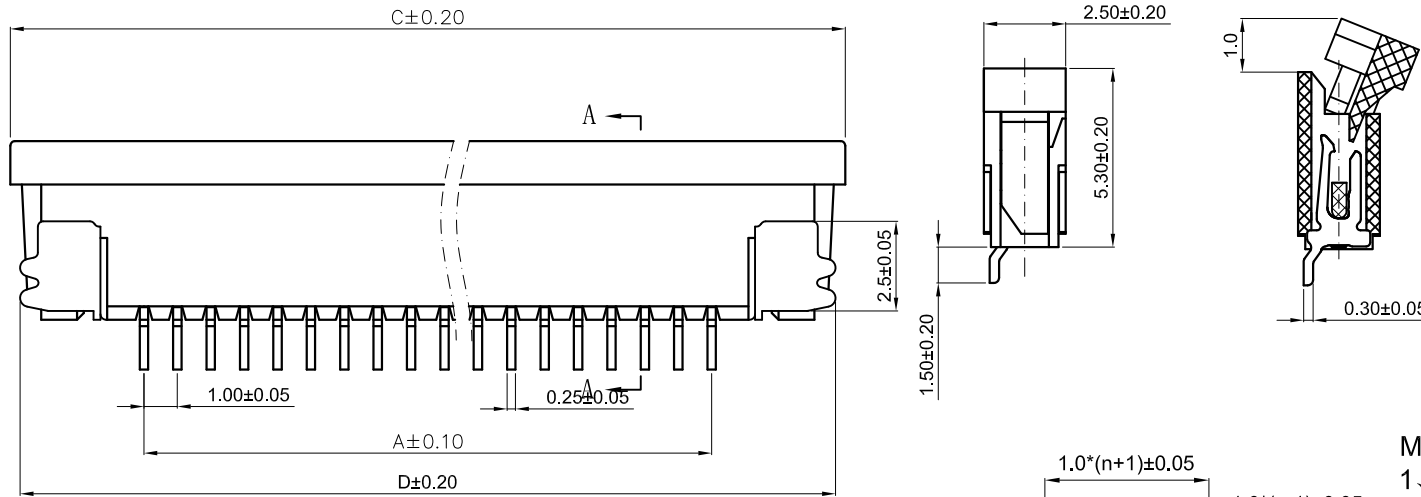
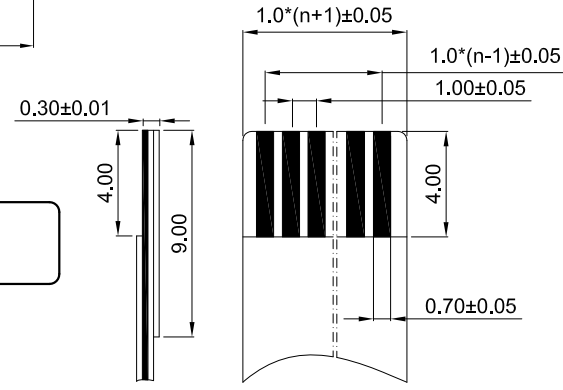
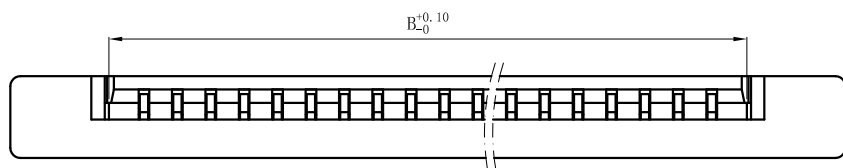


40 PINS 1.0 Pitch SMD Horizontal Type Bottom Contact

Ver	Date	Description
1.0	Apr-19-2013	Preliminary Release



Pin Num	A	B	C
40	39.0	41.1	47.0

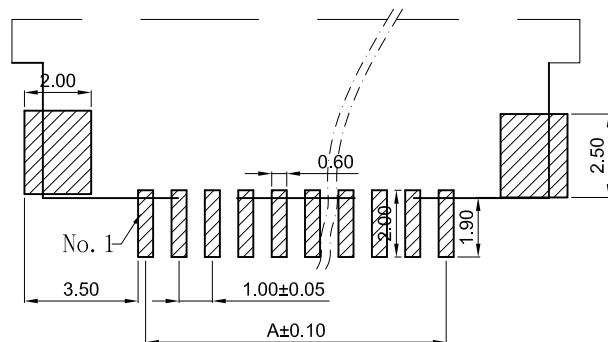


Material:

- 1、 Housing: NYlon46 UL94V-0 Grey;
- 2、 Loeker: PPS UL94V-0;
- 3、 Contact: Phosphor bronze, tin/lead-plated;
- 4、 Solder tab: Phosphor bronze, tin/lead-plated.

Specification:

- 1、 Unverified Tolerance should comply with SJ1372-79;
- 2、 Temperature Range: -25°C~85°C;
- 3、 Rated Voltage: 50V, AC, DC;
- 4、 Contact Resistance: ≤0.03 Ω;
- 5、 Insulation Resistance: ≥500M Ω;
- 6、 Withstand Voltage: 500V, AC/minute.



 <p>旭日东方科技有限公司 EastRising Technology Co., Ltd. buy-display.com TEL: +86-755-33503873 FAX: +86-755-33507642-801</p>		CD
	UNIT: MM	SIZE: A4
	SHEET: 1 OF 1	
Part Number for Order: ER-CON40HB-2		
DRAWN BY : Jim	CHECKED BY: Tony	APPROVED BY : Liu