

# SSD1306B

## *Advance Information*

### **128 x 64 Dot Matrix OLED/PLED Segment/Common Driver with Controller**

This document contains information on a new product. Specifications and information herein are subject to change without notice.

<http://www.solomon-systech.com>

SSD1306B

Rev 1.1

P 1/61

May 2014

Copyright © 2014 Solomon Systech Limited



**Appendix: IC Revision history of SSD1306B Specification**

<b>Version</b>	<b>Change Items</b>	<b>Effective Date</b>
1.0	1 <sup>st</sup> release	10-Oct-12
1.1	Revise typo in Bump die pad coordinate	04-Jun-14

# CONTENTS

<b>1</b>	<b>GENERAL DESCRIPTION .....</b>	<b>7</b>
<b>2</b>	<b>FEATURES.....</b>	<b>7</b>
<b>3</b>	<b>ORDERING INFORMATION .....</b>	<b>7</b>
<b>4</b>	<b>BLOCK DIAGRAM.....</b>	<b>8</b>
<b>5</b>	<b>DIE PAD FLOOR PLAN.....</b>	<b>9</b>
<b>6</b>	<b>PIN DESCRIPTION .....</b>	<b>11</b>
<b>7</b>	<b>FUNCTIONAL BLOCK DESCRIPTIONS.....</b>	<b>13</b>
7.1	MCU INTERFACE SELECTION .....	13
7.1.1	MCU Parallel 6800-series Interface .....	13
7.1.2	MCU Parallel 8080-series Interface .....	14
7.1.3	MCU Serial Interface (4-wire SPI) .....	15
7.1.4	MCU Serial Interface (3-wire SPI) .....	16
7.1.5	MCU I <sup>2</sup> C Interface .....	17
7.2	COMMAND DECODER.....	20
7.3	OSCILLATOR CIRCUIT AND DISPLAY TIME GENERATOR .....	20
7.4	FR SYNCHRONIZATION.....	21
7.5	RESET CIRCUIT .....	21
7.6	SEGMENT DRIVERS / COMMON DRIVERS .....	22
7.7	GRAPHIC DISPLAY DATA RAM (GDDRAM) .....	23
7.8	SEG/COM DRIVING BLOCK.....	24
7.9	POWER ON AND OFF SEQUENCE .....	25
7.9.1	Power ON and OFF sequence with External V <sub>CC</sub> .....	25
7.9.2	Power ON and OFF sequence with Charge Pump Application .....	26
7.10	CHARGE PUMP REGULATOR.....	27
<b>8</b>	<b>COMMAND TABLE .....</b>	<b>27</b>
8.1	DATA READ / WRITE.....	35
<b>9</b>	<b>COMMAND DESCRIPTIONS.....</b>	<b>36</b>
9.1	FUNDAMENTAL COMMAND.....	36
9.1.1	Set Lower Column Start Address for Page Addressing Mode (00h~0Fh).....	36
9.1.2	Set Higher Column Start Address for Page Addressing Mode (10h~1Fh).....	36
9.1.3	Set Memory Addressing Mode (20h).....	36
9.1.4	Set Column Address (21h).....	37
9.1.5	Set Page Address (22h) .....	37
9.1.6	Set Display Start Line (40h~7Fh).....	38
9.1.7	Set Contrast Control for BANK0 (81h) .....	38
9.1.8	Set Segment Re-map (A0h/A1h).....	38
9.1.9	Entire Display ON (A4h/A5h) .....	38
9.1.10	Set Normal/Inverse Display (A6h/A7h).....	38
9.1.11	Set Multiplex Ratio (A8h).....	39
9.1.12	External or internal I <sub>REF</sub> Selection (ADh) .....	39
9.1.13	Set Display ON/OFF (AEh/AFh).....	39
9.1.14	Set Page Start Address for Page Addressing Mode (B0h~B7h).....	39
9.1.15	Set COM Output Scan Direction (C0h/C8h).....	39
9.1.16	Set Display Offset (D3h).....	39
9.1.17	Set Display Clock Divide Ratio/ Oscillator Frequency (D5h) .....	42
9.1.18	Set Pre-charge Period (D9h) .....	42
9.1.19	Set COM Pins Hardware Configuration (DAh) .....	43
9.1.20	Set V <sub>COMH</sub> Deselect Level (DBh).....	45
9.1.21	NOP (E3h).....	45
9.1.22	Status register Read .....	45

9.1.23	Charge Pump Setting (8Dh).....	45
9.2	GRAPHIC ACCELERATION COMMAND.....	46
9.2.1	Horizontal Scroll Setup (26h/27h).....	46
9.2.2	Continuous Vertical and Horizontal Scroll Setup (29h/2Ah).....	47
9.2.3	Deactivate Scroll (2Eh).....	47
9.2.4	Activate Scroll (2Fh).....	47
9.2.5	Set Vertical Scroll Area (A3h).....	47
9.2.6	Content Scroll Setup (2Ch/2Dh).....	47
9.3	ADVANCE GRAPHIC COMMAND.....	50
9.3.1	Set Fade Out and Blinking (23h).....	50
9.3.2	Set Zoom In (D6h).....	50
<b>10</b>	<b>MAXIMUM RATINGS .....</b>	<b>51</b>
<b>11</b>	<b>DC CHARACTERISTICS .....</b>	<b>52</b>
<b>12</b>	<b>AC CHARACTERISTICS .....</b>	<b>53</b>
<b>13</b>	<b>APPLICATION EXAMPLE.....</b>	<b>59</b>
<b>14</b>	<b>PACKAGE INFORMATION .....</b>	<b>61</b>
14.1	SSD1306BZ DIE TRAY INFORMATION .....	61

## TABLES

TABLE 5-1 : SSD1306B BUMP DIE PAD COORDINATES .....	10
TABLE 6-1 : MCU BUS INTERFACE PIN SELECTION .....	12
TABLE 7-1 : MCU INTERFACE ASSIGNMENT UNDER DIFFERENT BUS INTERFACE MODE .....	13
TABLE 7-2 : CONTROL PINS OF 6800 INTERFACE .....	13
TABLE 7-3 : CONTROL PINS OF 8080 INTERFACE .....	15
TABLE 7-4 : CONTROL PINS OF 4-WIRE SERIAL INTERFACE .....	15
TABLE 7-5 : CONTROL PINS OF 3-WIRE SERIAL INTERFACE .....	16
TABLE 8-1: COMMAND TABLE .....	27
TABLE 8-2 : READ COMMAND TABLE .....	35
TABLE 8-3 : ADDRESS INCREMENT TABLE (AUTOMATIC).....	35
TABLE 9-1 : EXAMPLE OF SET DISPLAY OFFSET AND DISPLAY START LINE WITH NO REMAP .....	40
TABLE 9-2 :EXAMPLE OF SET DISPLAY OFFSET AND DISPLAY START LINE WITH REMAP .....	41
TABLE 9-3 : COM PINS HARDWARE CONFIGURATION.....	43
TABLE 9-4 : CONTENT SCROLLING SOFTWARE FLOW EXAMPLE (PAGE ADDRESSING MODE – COMMAND 20H, 02H) .....	48
TABLE 9-5 : CONTENT SCROLLING SETTING EXAMPLE (VERTICAL ADDRESSING MODE – COMMAND 20H, 01H) .....	49
TABLE 10-1 : MAXIMUM RATINGS (VOLTAGE REFERENCED TO VSS) .....	51
TABLE 11-1 : DC CHARACTERISTICS .....	52
TABLE 12-1 : AC CHARACTERISTICS .....	53
TABLE 12-2 : 6800-SERIES MCU PARALLEL INTERFACE TIMING CHARACTERISTICS .....	54
TABLE 12-3 : 8080-SERIES MCU PARALLEL INTERFACE TIMING CHARACTERISTICS .....	55
TABLE 12-4 : 4-WIRE SERIAL INTERFACE TIMING CHARACTERISTICS .....	56
TABLE 12-5 : 3-WIRE SERIAL INTERFACE TIMING CHARACTERISTICS .....	57
TABLE 12-6 : I <sup>2</sup> C INTERFACE TIMING CHARACTERISTICS .....	58

## FIGURES

FIGURE 4-1 SSD1306B BLOCK DIAGRAM .....	8
FIGURE 5-1 : SSD1306BZ DIE DRAWING .....	9
FIGURE 6-1 PIN DESCRIPTION .....	11
FIGURE 7-1 : DATA READ BACK PROCEDURE - INSERTION OF DUMMY READ .....	14
FIGURE 7-2 : EXAMPLE OF WRITE PROCEDURE IN 8080 PARALLEL INTERFACE MODE .....	14
FIGURE 7-3 : EXAMPLE OF READ PROCEDURE IN 8080 PARALLEL INTERFACE MODE.....	14
FIGURE 7-4 : DISPLAY DATA READ BACK PROCEDURE - INSERTION OF DUMMY READ .....	15
FIGURE 7-5 : WRITE PROCEDURE IN 4-WIRE SERIAL INTERFACE MODE .....	16
FIGURE 7-6 : WRITE PROCEDURE IN 3-WIRE SERIAL INTERFACE MODE .....	16
FIGURE 7-7 : I <sup>2</sup> C-BUS DATA FORMAT .....	18
FIGURE 7-8 : DEFINITION OF THE START AND STOP CONDITION.....	19
FIGURE 7-9 : DEFINITION OF THE ACKNOWLEDGEMENT CONDITION.....	19
FIGURE 7-10 : DEFINITION OF THE DATA TRANSFER CONDITION .....	19
FIGURE 7-11 : OSCILLATOR CIRCUIT AND DISPLAY TIME GENERATOR .....	20
FIGURE 7-12 : SEGMENT OUTPUT WAVEFORM IN THREE PHASES.....	22
FIGURE 7-13 : GDDRAM PAGES STRUCTURE OF SSD1306B.....	23
FIGURE 7-14 : ENLARGEMENT OF GDDRAM (NO ROW RE-MAPPING AND COLUMN-REMAPPING) .....	23
FIGURE 7-15 : I <sub>REF</sub> CURRENT SETTING BY RESISTOR VALUE.....	24
FIGURE 7-16 : THE POWER ON SEQUENCE .....	25
FIGURE 7-17 : THE POWER OFF SEQUENCE .....	25
FIGURE 7-18 : THE POWER ON SEQUENCE WITH CHARGE PUMP APPLICATION .....	26
FIGURE 7-19 : THE POWER OFF SEQUENCE WITH CHARGE PUMP APPLICATION.....	26
FIGURE 9-1 : ADDRESS POINTER MOVEMENT OF PAGE ADDRESSING MODE.....	36
FIGURE 9-2 : EXAMPLE OF GDDRAM ACCESS POINTER SETTING IN PAGE ADDRESSING MODE (NO ROW AND COLUMN-REMAPPING) .....	36
FIGURE 9-3 : ADDRESS POINTER MOVEMENT OF HORIZONTAL ADDRESSING MODE.....	37
FIGURE 9-4 : ADDRESS POINTER MOVEMENT OF VERTICAL ADDRESSING MODE .....	37
FIGURE 9-5 : EXAMPLE OF COLUMN AND ROW ADDRESS POINTER MOVEMENT.....	38
FIGURE 9-6 :TRANSITION BETWEEN DIFFERENT MODES .....	39
FIGURE 9-7 : OSCILLATOR FREQUENCY SETTING.....	42
FIGURE 9-8 : HORIZONTAL SCROLL EXAMPLE: SCROLL RIGHT BY 1 COLUMN .....	46
FIGURE 9-9 : HORIZONTAL SCROLL EXAMPLE: SCROLL LEFT BY 1 COLUMN.....	46
FIGURE 9-10 : HORIZONTAL SCROLLING SETUP EXAMPLE.....	46
FIGURE 9-11 : CONTINUOUS VERTICAL AND HORIZONTAL SCROLLING SETUP EXAMPLE .....	47
FIGURE 9-12: CONTENT SCROLLING EXAMPLE (2DH, LEFT HORIZONTAL SCROLL BY ONE COLUMN).....	48
FIGURE 9-13 : EXAMPLE OF FADE OUT MODE .....	50
FIGURE 9-14 : EXAMPLE OF BLINKING MODE.....	50
FIGURE 9-15 : EXAMPLE OF ZOOM IN .....	50
FIGURE 12-1 : 6800-SERIES MCU PARALLEL INTERFACE CHARACTERISTICS .....	54
FIGURE 12-2 : 8080-SERIES PARALLEL INTERFACE CHARACTERISTICS .....	55
FIGURE 12-3 : 4-WIRE SERIAL INTERFACE CHARACTERISTICS .....	56
FIGURE 12-4 : 3-WIRE SERIAL INTERFACE CHARACTERISTICS .....	57
FIGURE 12-5 : I <sup>2</sup> C INTERFACE TIMING CHARACTERISTICS .....	58
FIGURE 13-1 : APPLICATION EXAMPLE OF SSD1306B WITH EXTERNAL V <sub>CC</sub> AND I <sup>2</sup> C INTERFACE .....	59
FIGURE 13-2 APPLICATION EXAMPLE OF SSD1306B WITH INTERNAL CHARGE PUMP, INTERNAL I <sub>REF</sub> AND I <sup>2</sup> C INTERFACE.....	60
FIGURE 14-1 : SSD1306BZ DIE TRAY INFORMATION .....	61

## 1 GENERAL DESCRIPTION

SSD1306B is a single-chip CMOS OLED/PLED driver with controller for organic / polymer light emitting diode dot-matrix graphic display system. It consists of 128 segments and 64 commons. This IC is designed for Common Cathode type OLED panel.

The SSD1306B embeds with contrast control, display RAM and oscillator, which reduces the number of external components and power consumption. It has 256-step brightness control. Data/Commands are sent from general MCU through the hardware selectable 6800/8000 series compatible Parallel Interface, I2C interface or Serial Peripheral Interface. The on chip charge pump regulator of SSD1306B operates at a wide voltage range, and supports 2.2V lowest operating voltage, making it suitable for many compact portable applications which operate on common consumer battery, such as portable gadgets, consumer appliances, portable medical devices, etc.

## 2 FEATURES

- Resolution: 128 x 64 dot matrix panel
- Power supply
  - $V_{DD} = 1.65V$  to  $3.3V, \leq V_{BAT}$  for IC logic
  - $V_{BAT} = 2.2V$  to  $4.2V$  for charge pump regulator circuit
  - $V_{CC} = 6V$  to  $15V$  for Panel driving
- For matrix display
  - Segment maximum source current: 240uA
  - Common maximum sink current: 30mA
  - 256 step contrast brightness current control
- Embedded 128 x 64 bit SRAM display buffer
- Pin selectable MCU Interfaces:
  - 8-bit 6800/8080-series parallel interface
  - 3 /4 wire Serial Peripheral Interface
  - I<sup>2</sup>C Interface
- Screen saving continuous scrolling function in both horizontal and vertical direction
- Screen saving infinite content scrolling function
- Internal or external I<sub>REF</sub> selection
- Internal charge pump regulator with 4 selectable output mode
- RAM write synchronization signal
- Programmable Frame Rate and Multiplexing Ratio
- Row Re-mapping and Column Re-mapping
- On-Chip Oscillator
- Chip layout for COG & COF
- Wide range of operating temperature: -40°C to 85°C

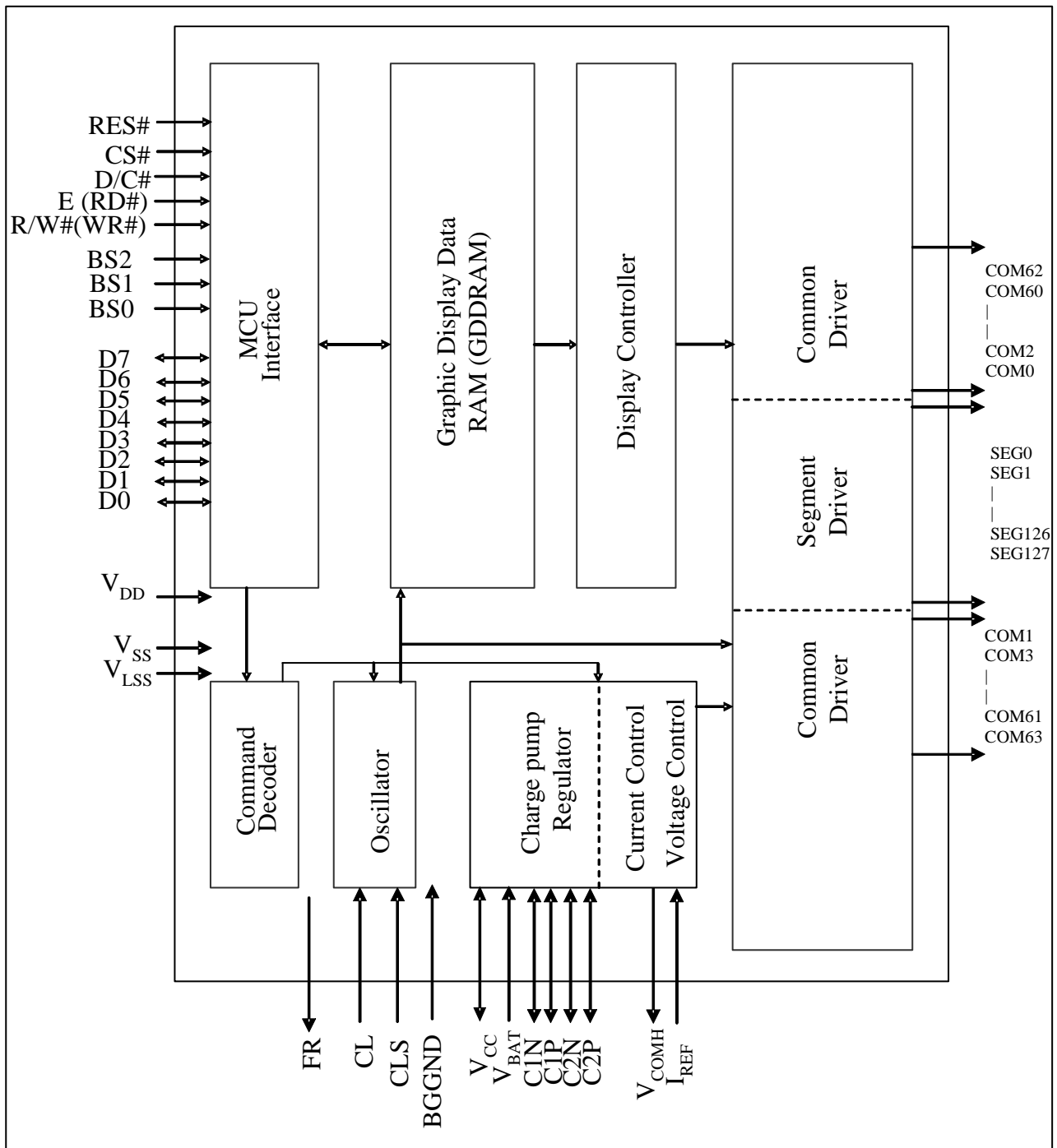
## 3 ORDERING INFORMATION

Table 3-1: Ordering Information

Ordering Part Number	SEG	COM	Package Form	Reference	Remark
SSD1306BZ	128	64	COG	9	<ul style="list-style-type: none"><li>○ Min SEG pad pitch : 47um</li><li>○ Min COM pad pitch : 40um</li><li>○ Die thickness: 300 +/- 15um</li><li>○ Bump height : Nominal 9um</li></ul>

## 4 BLOCK DIAGRAM

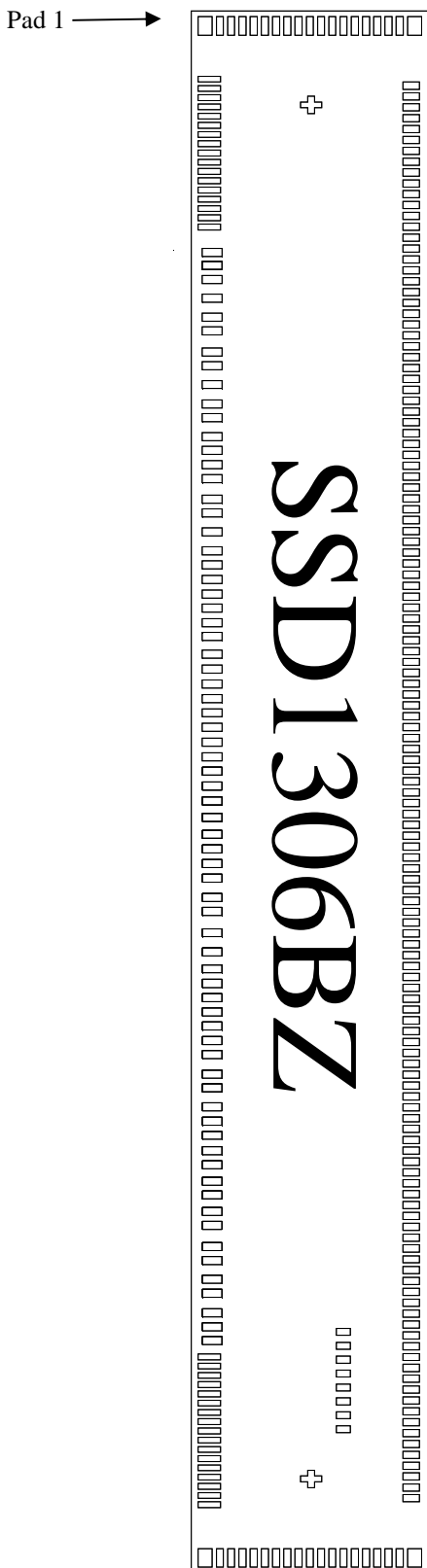
Figure 4-1 SSD1306B Block Diagram





# 5 DIE PAD FLOOR PLAN

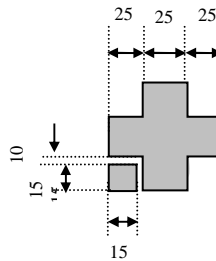
Figure 5-1 : SSD1306BZ Die Drawing



Die Size (after sawing)	6.76mm +/- 0.05mm x 0.86mm +/- 0.05mm
Die thickness	300 +/- 15um
Min I/O pad pitch	60um
Min SEG pad pitch	47um
Min COM pad pitch	40um
Bump height	Nominal 9um

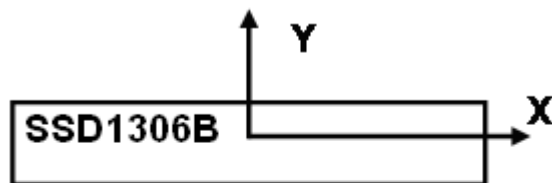
Bump size	
Pad 1, 106, 124, 256	80um x 50um
Pad 2-18, 89-105, 107-123, 257-273	25um x 80um
Pad 19-88	35um x 70um
Pad 125-255	31um x 59um
Pad 274-281 (TR pads)	30um x 50um

Alignment mark	Position	Size
+ shape	(-2973, 0)	75um x 75um
+ shape	(2973, 0)	75um x 75um
SSL Logo	(-2883.395, 146.66)	-



**Note**

- (1) Diagram showing the Gold bumps face up.
- (2) Coordinates are referenced to center of the chip.
- (3) Coordinate units and size of all alignment marks are in um.
- (4) All alignment keys do not contain gold



**Pad 1,2,3,...->281**  
**Gold Bumps face up**

**Table 5-1 : SSD1306B Bump Die Pad Coordinates**

Pad no.	Pad Name	X-pos	Y-pos
1	NC	-3315	-377.5
2	VSS	-3084.77	-362.5
3	COM49	-3044.77	-362.5
4	COM50	-3004.77	-362.5
5	COM51	-2964.77	-362.5
6	COM52	-2924.77	-362.5
7	COM53	-2884.77	-362.5
8	COM54	-2844.77	-362.5
9	COM55	-2804.77	-362.5
10	COM56	-2764.77	-362.5
11	COM57	-2724.77	-362.5
12	COM58	-2684.77	-362.5
13	COM59	-2644.77	-362.5
14	COM60	-2604.77	-362.5
15	COM61	-2564.77	-362.5
16	COM62	-2524.77	-362.5
17	COM63	-2484.77	-362.5
18	VCOMH	-2444.77	-362.5
19	NC	-2334.965	-352.83
20	C2N	-2278.265	-352.83
21	C2N	-2218.265	-352.83
22	C2P	-2136.715	-352.83
23	C2P	-2055.465	-352.83
24	C1P	-1995.465	-352.83
25	C1P	-1904.115	-352.83
26	C1N	-1844.115	-352.83
27	C1N	-1762.865	-352.83
28	VBAT	-1679.31	-352.83
29	VBAT	-1619.31	-352.83
30	VBREF	-1537.51	-352.83
31	BGGND	-1477.51	-352.83
32	VCC	-1416.01	-352.83
33	VCC	-1356.01	-352.83
34	VCOMH	-1266.955	-352.83
35	VCOMH	-1206.955	-352.83
36	VLSS	-1125.155	-352.83
37	VLSS	-1043.355	-352.83
38	VLSS	-983.355	-352.83
39	VSS	-920	-352.83
40	VSS	-856	-352.83
41	VSS	-796	-352.83
42	VDD	-732.645	-352.83
43	VDD	-672.645	-352.83
44	BS0	-595.655	-352.83
45	VSS	-531.955	-352.83
46	BS1	-467.655	-352.83
47	VDD	-403.155	-352.83
48	VDD	-342.555	-352.83
49	BS2	-279.705	-352.83
50	VSS	-215.705	-352.83
51	FR	-151.955	-352.83
52	CL	-89.815	-352.83
53	VSS	-25.665	-352.83
54	CS#	38.635	-352.83
55	RES#	109.835	-352.83
56	D/C#	182.425	-352.83
57	VSS	246.125	-352.83
58	R/W#	310.425	-352.83
59	E	373.125	-352.83
60	VDD	457.175	-352.83
61	VDD	517.175	-352.83
62	D0	609.275	-352.83
63	D1	692.475	-352.83
64	D2	765.675	-352.83
65	D3	828.875	-352.83
66	VSS	890.325	-352.83
67	D4	951.275	-352.83
68	D5	1013.315	-352.83
69	D6	1075.355	-352.83
70	D7	1137.395	-352.83
71	VSS	1220.735	-352.83
72	VSS	1280.735	-352.83
73	CLS	1362.585	-352.83
74	VDD	1425.285	-352.83
75	VDD	1485.885	-352.83
76	VDD	1553.185	-352.83
77	VDD	1613.185	-352.83
78	IREF	1684.585	-352.83
79	IREF	1744.585	-352.83
80	VCOMH	1815.585	-352.83

Pad no.	Pad Name	X-pos	Y-pos
81	VCOMH	1875.585	-352.83
82	VCC	1967.185	-352.83
83	VCC	2027.185	-352.83
84	VLSS	2109.185	-352.83
85	VLSS	2169.185	-352.83
86	VLSS	2254.185	-352.83
87	NC	2314.185	-352.83
88	NC	2374.185	-352.83
89	VSS	2444.77	-362.5
90	COM31	2484.77	-362.5
91	COM30	2524.77	-362.5
92	COM29	2564.77	-362.5
93	COM28	2604.77	-362.5
94	COM27	2644.77	-362.5
95	COM26	2684.77	-362.5
96	COM25	2724.77	-362.5
97	COM24	2764.77	-362.5
98	COM23	2804.77	-362.5
99	COM22	2844.77	-362.5
100	COM21	2884.77	-362.5
101	COM20	2924.77	-362.5
102	COM19	2964.77	-362.5
103	COM18	3004.77	-362.5
104	COM17	3044.77	-362.5
105	VSS	3084.77	-362.5
106	NC	3315	-377.5
107	COM16	3315	-325
108	COM15	3315	-285
109	COM14	3315	-245
110	COM13	3315	-205
111	COM12	3315	-165
112	COM11	3315	-125
113	COM10	3315	-85
114	COM9	3315	-45
115	COM8	3315	-5
116	COM7	3315	35
117	COM6	3315	75
118	COM5	3315	115
119	COM4	3315	155
120	COM3	3315	195
121	COM2	3315	235
122	COM1	3315	275
123	COM0	3315	315
124	NC	3315	367.5
125	NC	3055.5	356
126	SEG0	3009.5	356
127	SEG1	2962.5	356
128	SEG2	2915.5	356
129	SEG3	2868.5	356
130	SEG4	2821.5	356
131	SEG5	2774.5	356
132	SEG6	2727.5	356
133	SEG7	2680.5	356
134	SEG8	2633.5	356
135	SEG9	2586.5	356
136	SEG10	2539.5	356
137	SEG11	2492.5	356
138	SEG12	2445.5	356
139	SEG13	2398.5	356
140	SEG14	2351.5	356
141	SEG15	2304.5	356
142	SEG16	2257.5	356
143	SEG17	2210.5	356
144	SEG18	2163.5	356
145	SEG19	2116.5	356
146	SEG20	2069.5	356
147	SEG21	2022.5	356
148	SEG22	1975.5	356
149	SEG23	1928.5	356
150	SEG24	1881.5	356
151	SEG25	1834.5	356
152	SEG26	1787.5	356
153	SEG27	1740.5	356
154	SEG28	1693.5	356
155	SEG29	1646.5	356
156	SEG30	1599.5	356
157	SEG31	1552.5	356
158	SEG32	1505.5	356
159	SEG33	1458.5	356
160	SEG34	1411.5	356

Pad no.	Pad Name	X-pos	Y-pos
161	SEG35	1364.5	356
162	SEG36	1317.5	356
163	SEG37	1270.5	356
164	SEG38	1223.5	356
165	SEG39	1176.5	356
166	SEG40	1129.5	356
167	SEG41	1082.5	356
168	SEG42	1035.5	356
169	SEG43	988.5	356
170	SEG44	941.5	356
171	SEG45	894.5	356
172	SEG46	847.5	356
173	SEG47	800.5	356
174	SEG48	753.5	356
175	SEG49	706.5	356
176	SEG50	659.5	356
177	SEG51	612.5	356
178	SEG52	565.5	356
179	SEG53	518.5	356
180	SEG54	471.5	356
181	SEG55	424.5	356
182	SEG56	377.5	356
183	SEG57	330.5	356
184	SEG58	283.5	356
185	SEG59	236.5	356
186	SEG60	189.5	356
187	SEG61	142.5	356
188	SEG62	95.5	356
189	SEG63	48.5	356
190	SEG64	1.5	356
191	SEG65	-45.5	356
192	SEG66	-92.5	356
193	SEG67	-139.5	356
194	SEG68	-186.5	356
195	SEG69	-233.5	356
196	SEG70	-280.5	356
197	SEG71	-327.5	356
198	SEG72	-374.5	356
199	SEG73	-421.5	356
200	SEG74	-468.5	356
201	SEG75	-515.5	356
202	SEG76	-562.5	356
203	SEG77	-609.5	356
204	SEG78	-656.5	356
205	SEG79	-703.5	356
206	SEG80	-750.5	356
207	SEG81	-797.5	356
208	SEG82	-844.5	356
209	SEG83	-891.5	356
210	NC	-940	356
211	SEG84	-988.5	356
212	SEG85	-1035.5	356
213	SEG86	-1082.5	356
214	SEG87	-1129.5	356
215	SEG88	-1176.5	356
216	SEG89	-1223.5	356
217	SEG90	-1270.5	356
218	SEG91	-1317.5	356
219	SEG92	-1364.5	356
220	SEG93	-1411.5	356
221	SEG94	-1458.5	356
222	SEG95	-1505.5	356
223	SEG96	-1552.5	356
224	SEG97	-1599.5	356
225	SEG98	-1646.5	356
226	SEG99	-1693.5	356
227	SEG100	-1740.5	356
228	SEG101	-1787.5	356
229	SEG102	-1834.5	356
230	SEG103	-1881.5	356
231	SEG104	-1928.5	356
232	SEG105	-1975.5	356
233	SEG106	-2022.5	356
234	SEG107	-2069.5	356
235	SEG108	-2116.5	356
236	SEG109	-2163.5	356
237	SEG110	-2210.5	356
238	SEG111	-2257.5	356
239	SEG112	-2304.5	356
240	SEG113	-2351.5	356

Pad no.	Pad Name	X-pos	Y-pos
241	SEG114	-2398.5	356
242	SEG115	-2445.5	356
243	SEG116	-2492.5	356
244	SEG117	-2539.5	356
245	SEG118	-2586.5	356
246	SEG119	-2633.5	356
247	SEG120	-2680.5	356
248	SEG121	-2727.5	356
249	SEG122	-2774.5	356
250	SEG123	-2821.5	356
251	SEG124	-2868.5	356
252	SEG125	-2915.5	356
253	SEG126	-2962.5	356
254	SEG127	-3009.5	356
255	NC	-3056.5	356
256	NC	-3315	367.5
257	COM32	-3315	315
258	COM33	-3315	275
259	COM34	-3315	235
260	COM35	-3315	195
261	COM36	-3315	155
262	COM37	-3315	115
263	COM38	-3315	75
264	COM39	-3315	35
265	COM40	-3315	-5
266	COM41	-3315	-45
267	COM42	-3315	-85
268	COM43	-3315	-125
269	COM44	-3315	-165
270	COM45	-3315	-205
271	COM46	-3315	-245
272	COM47	-3315	-285
273	COM48	-3315	-325
Pad no.	Pad Name	X-pos	Y-pos
Pin#	Pin name	X-dir	Y-dir
274	TR0	2757.05	114.8
275	TR1	2697.05	114.8
276	TR2	2637.05	114.8
277	TR3	2577.05	114.8
278	VSS	2517.05	114.8
279	TR4	2457.05	114.8
280	TR5	2397.05	114.8
281	TR6	2337.05	114.8

## 6 PIN DESCRIPTION

Key:

I = Input	NC = Not Connected
O = Output	Pull LOW= connect to Ground
I/O = Bi-directional (input/output)	Pull HIGH= connect to V <sub>DD</sub>
P = Power pin	

Figure 6-1 Pin Description

Pin Name	Type	Description												
V <sub>DD</sub>	P	Power supply pin for core logic operation.												
V <sub>CC</sub>	P	Power supply for panel driving voltage. This is also the most positive power voltage supply pin. When charge pump is enabled, a capacitor should be connected between this pin and V <sub>SS</sub> .												
V <sub>SS</sub>	P	This is a ground pin.												
V <sub>LSS</sub>	P	This is an analog ground pin. It should be connected to V <sub>SS</sub> externally.												
V <sub>COMH</sub>	O	The pin for COM signal deselected voltage level. A capacitor should be connected between this pin and V <sub>SS</sub> .												
V <sub>BAT</sub>	P	Power supply for charge pump regulator circuit. <table border="1" data-bbox="384 909 1286 1081"> <thead> <tr> <th>Status</th> <th>V<sub>BAT</sub></th> <th>V<sub>DD</sub></th> <th>V<sub>CC</sub></th> </tr> </thead> <tbody> <tr> <td>Enable charge pump</td> <td>Connect to external V<sub>BAT</sub> source</td> <td>Connect to external V<sub>DD</sub> source</td> <td>A capacitor should be connected between this pin and V<sub>SS</sub></td> </tr> <tr> <td>Disable charge pump</td> <td>Keep float or connect to V<sub>DD</sub></td> <td>Connect to external V<sub>DD</sub> source</td> <td>Connect to external V<sub>CC</sub> source</td> </tr> </tbody> </table>	Status	V <sub>BAT</sub>	V <sub>DD</sub>	V <sub>CC</sub>	Enable charge pump	Connect to external V <sub>BAT</sub> source	Connect to external V <sub>DD</sub> source	A capacitor should be connected between this pin and V <sub>SS</sub>	Disable charge pump	Keep float or connect to V <sub>DD</sub>	Connect to external V <sub>DD</sub> source	Connect to external V <sub>CC</sub> source
Status	V <sub>BAT</sub>	V <sub>DD</sub>	V <sub>CC</sub>											
Enable charge pump	Connect to external V <sub>BAT</sub> source	Connect to external V <sub>DD</sub> source	A capacitor should be connected between this pin and V <sub>SS</sub>											
Disable charge pump	Keep float or connect to V <sub>DD</sub>	Connect to external V <sub>DD</sub> source	Connect to external V <sub>CC</sub> source											
BGGND	P	Reserved pin. It should be connected to ground.												
C1P/C1N C2P/C2N	I	C1P/C1N – Pin for charge pump capacitor; Connect to each other with a capacitor. C2P/C2N – Pin for charge pump capacitor; Connect to each other with a capacitor.												
V <sub>BREF</sub>	P	Reserved pin. It should be kept NC.												
BS[2:0]	I	MCU bus interface selection pins. Please refer to Table 6-1 for the details of setting.												
I <sub>REF</sub>	I	This is segment output current reference pin. When external I <sub>REF</sub> is used, a resistor should be connected between this pin and V <sub>SS</sub> to maintain the I <sub>REF</sub> current at a maximum of 30uA. Please refer to Figure 7-15 for the details of resistor value.  When internal I <sub>REF</sub> is used, this pin should be kept NC.												
FR	O	This pin outputs RAM write synchronization signal. Proper timing between MCU data writing and frame display timing can be achieved to prevent tearing effect. It should be kept NC if it is not used. Please refer to Section 7.4 for details usage.												
CL	I	This is external clock input pin. When internal clock is enabled (i.e. HIGH in CLS pin), this pin is not used and should be connected to V <sub>SS</sub> . When internal clock is disabled (i.e. LOW in CLS pin), this pin is the external clock source input pin.												
CLS	I	This is internal clock enable pin. When it is pulled HIGH (i.e. connect to V <sub>DD</sub> ), internal clock is enabled. When it is pulled LOW, the internal clock is disabled; an external clock source must be connected to the CL pin for normal operation.												
RES#	I	This pin is reset signal input. When the pin is pulled LOW, initialization of the chip is executed. Keep this pin HIGH (i.e. connect to V <sub>DD</sub> ) during normal operation.												

Pin Name	Type	Description
CS#	I	This pin is the chip select input. (active LOW).
D/C#	I	This is Data/Command control pin. When it is pulled HIGH (i.e. connect to V <sub>DD</sub> ), the data at D[7:0] is treated as data. When it is pulled LOW, the data at D[7:0] will be transferred to the command register. In I <sup>2</sup> C mode, this pin acts as SA0 for slave address selection. When 3-wire serial interface is selected, this pin must be connected to V <sub>SS</sub> .  For detail relationship to MCU interface signals, please refer to the Timing Characteristics Diagrams: Figure 12-1 to Figure 12-5.
E (RD#)	I	When interfacing to a 6800-series microprocessor, this pin will be used as the Enable (E) signal. Read/write operation is initiated when this pin is pulled HIGH (i.e. connect to V <sub>DD</sub> ) and the chip is selected. When connecting to an 8080-series microprocessor, this pin receives the Read (RD#) signal. Read operation is initiated when this pin is pulled LOW and the chip is selected. When serial or I <sup>2</sup> C interface is selected, this pin must be connected to V <sub>SS</sub> .
R/W#(WR#)	I	This is read / write control input pin connecting to the MCU interface. When interfacing to a 6800-series microprocessor, this pin will be used as Read/Write (R/W#) selection input. Read mode will be carried out when this pin is pulled HIGH (i.e. connect to V <sub>DD</sub> ) and write mode when LOW. When 8080 interface mode is selected, this pin will be the Write (WR#) input. Data write operation is initiated when this pin is pulled LOW and the chip is selected. When serial or I <sup>2</sup> C interface is selected, this pin must be connected to V <sub>SS</sub> .
D[7:0]	IO	These are 8-bit bi-directional data bus to be connected to the microprocessor's data bus. When serial interface mode is selected, D0 will be the serial clock input: SCLK; D1 will be the serial data input: SDIN. When I <sup>2</sup> C mode is selected, D2, D1 should be tied together and serve as SDA <sub>out</sub> , SDA <sub>in</sub> in application and D0 is the serial clock input, SCL.
TR0-TR6	-	Testing reserved pins. It should be kept NC.
SEG0 ~ SEG127	O	These pins provide Segment switch signals to OLED panel. These pins are V <sub>SS</sub> state when display is OFF.
COM0 ~ COM63	O	These pins provide Common switch signals to OLED panel. They are in high impedance state when display is OFF.
NC	-	This is dummy pin. Do not group or short NC pins together.

**Table 6-1 : MCU Bus Interface Pin Selection**

SSD1306B Pin Name	I <sup>2</sup> C Interface	6800-parallel interface (8 bit)	8080-parallel interface(8 bit)	4-wire Serial interface	3-wire Serial interface
BS0	0	0	0	0	1
BS1	1	0	1	0	0
BS2	0	1	1	0	0

**Note**

<sup>(1)</sup> 0 is connected to V<sub>SS</sub>

<sup>(2)</sup> 1 is connected to V<sub>DD</sub>

## 7 FUNCTIONAL BLOCK DESCRIPTIONS

### 7.1 MCU Interface selection

SSD1306B MCU interface consist of 8 data pins and 5 control pins. The pin assignment at different interface mode is summarized in Table 7-1. Different MCU mode can be set by hardware selection on BS[2:0] pins (please refer to Table 6-1 for BS[2:0] setting).

**Table 7-1 : MCU interface assignment under different bus interface mode**

Pin Name Bus Interface	Data/Command Interface								Control Signal				
	D7	D6	D5	D4	D3	D2	D1	D0	E	R/W#	CS#	D/C#	RES#
8-bit 8080	D[7:0]								RD#	WR#	CS#	D/C#	RES#
8-bit 6800	D[7:0]								E	R/W#	CS#	D/C#	RES#
3-wire SPI	Tie LOW						SDIN	SCLK	Tie LOW		CS#	Tie LOW	RES#
4-wire SPI	Tie LOW						SDIN	SCLK	Tie LOW		CS#	D/C#	RES#
I <sup>2</sup> C	Tie LOW					SDA <sub>OUT</sub>	SDA <sub>IN</sub>	SCL	Tie LOW			SA0	RES#

#### 7.1.1 MCU Parallel 6800-series Interface

The parallel interface consists of 8 bi-directional data pins (D[7:0]), R/W#, D/C#, E and CS#.

A LOW in R/W# indicates WRITE operation and HIGH in R/W# indicates READ operation.

A LOW in D/C# indicates COMMAND read/write and HIGH in D/C# indicates DATA read/write.

The E input serves as data latch signal while CS# is LOW. Data is latched at the falling edge of E signal.

**Table 7-2 : Control pins of 6800 interface**

Function	E	R/W#	CS#	D/C#
Write command	↓	L	L	L
Read status	↓	H	L	L
Write data	↓	L	L	H
Read data	↓	H	L	H

#### Note

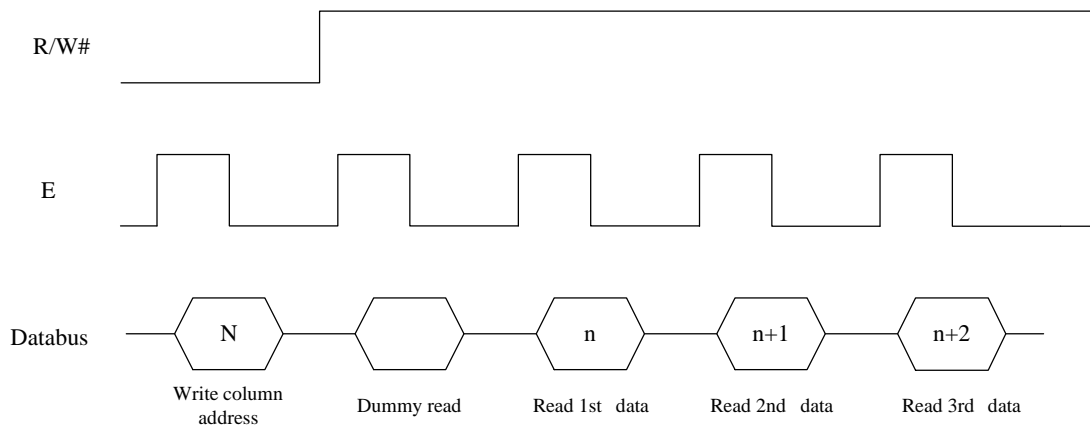
<sup>(1)</sup> ↓ stands for falling edge of signal

H stands for HIGH in signal

L stands for LOW in signal

In order to match the operating frequency of display RAM with that of the microprocessor, some pipeline processing is internally performed which requires the insertion of a dummy read before the first actual display data read. This is shown in Figure 7-1.

**Figure 7-1 : Data read back procedure - insertion of dummy read**



### 7.1.2 MCU Parallel 8080-series Interface

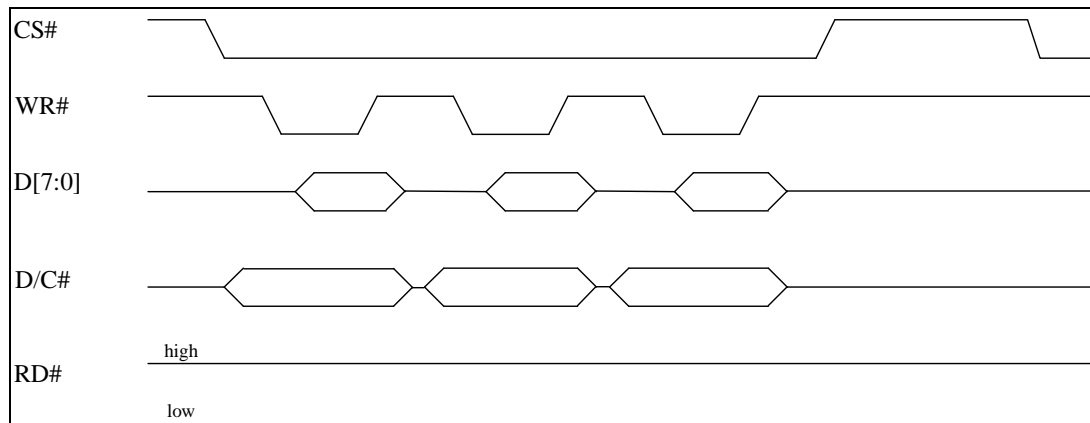
The parallel interface consists of 8 bi-directional data pins (D[7:0]), RD#, WR#, D/C# and CS#.

A LOW in D/C# indicates COMMAND read/write and HIGH in D/C# indicates DATA read/write.

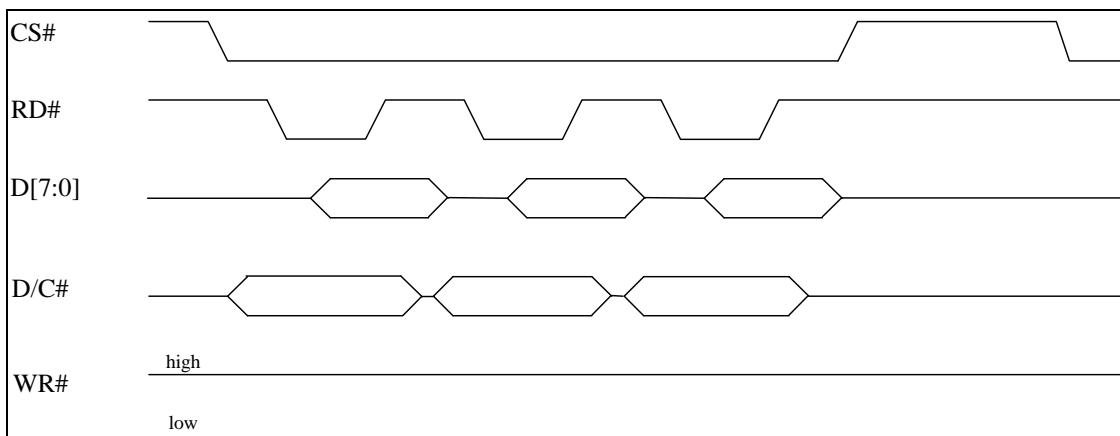
A rising edge of RD# input serves as a data READ latch signal while CS# is kept LOW.

A rising edge of WR# input serves as a data/command WRITE latch signal while CS# is kept LOW.

**Figure 7-2 : Example of Write procedure in 8080 parallel interface mode**



**Figure 7-3 : Example of Read procedure in 8080 parallel interface mode**



**Table 7-3 : Control pins of 8080 interface**

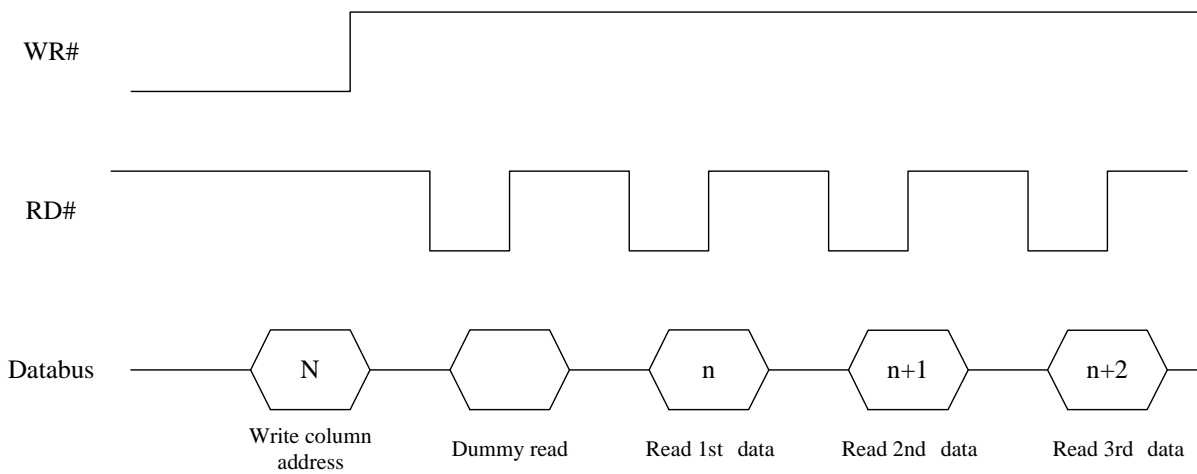
Function	RD#	WR#	CS#	D/C#
Write command	H	↑	L	L
Read status	↑	H	L	L
Write data	H	↑	L	H
Read data	↑	H	L	H

**Note**

- (1) ↑ stands for rising edge of signal
- (2) H stands for HIGH in signal
- (3) L stands for LOW in signal

In order to match the operating frequency of display RAM with that of the microprocessor, some pipeline processing is internally performed which requires the insertion of a dummy read before the first actual display data read. This is shown in Figure 7-4.

**Figure 7-4 : Display data read back procedure - insertion of dummy read**



**7.1.3 MCU Serial Interface (4-wire SPI)**

The 4-wire serial interface consists of serial clock: SCLK, serial data: SDIN, D/C#, CS#. In 4-wire SPI mode, D0 acts as SCLK, D1 acts as SDIN. For the unused data pins from D2 to D7, R/W# (WR#), E and D/C# can be connected to an external ground.

**Table 7-4 : Control pins of 4-wire Serial interface**

Function	E(RD#)	R/W#(WR#)	CS#	D/C#	D0
Write command	Tie LOW	Tie LOW	L	L	↑
Write data	Tie LOW	Tie LOW	L	H	↑

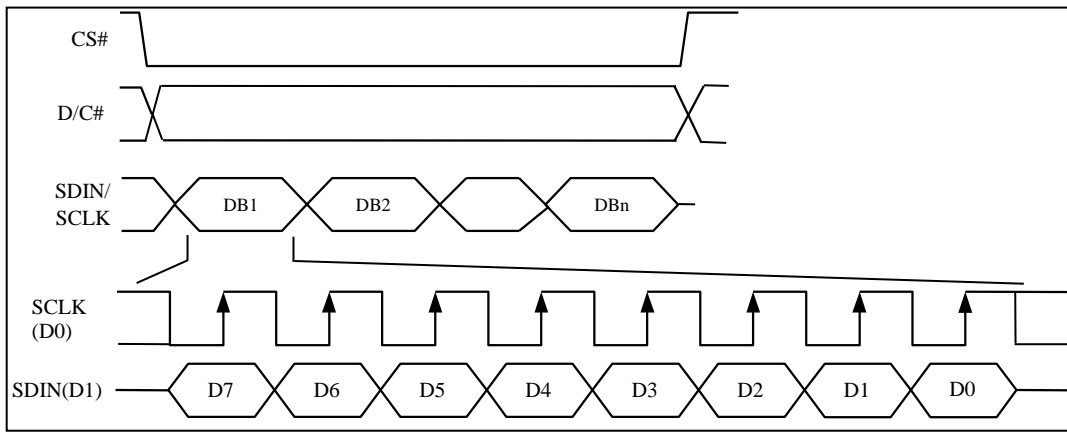
**Note**

- (1) H stands for HIGH in signal
- (2) L stands for LOW in signal

SDIN is shifted into an 8-bit shift register on every rising edge of SCLK in the order of D7, D6, ... D0. D/C# is sampled on every eighth clock and the data byte in the shift register is written to the Graphic Display Data RAM (GDDRAM) or command register in the same clock.

Under serial mode, only write operations are allowed.

**Figure 7-5 : Write procedure in 4-wire Serial interface mode**



### 7.1.4 MCU Serial Interface (3-wire SPI)

The 3-wire serial interface consists of serial clock SCLK, serial data SDIN and CS#.

In 3-wire SPI mode, D0 acts as SCLK, D1 acts as SDIN. For the unused data pins from D2 to D7, R/W# (WR#)#, E and D/C# can be connected to an external ground.

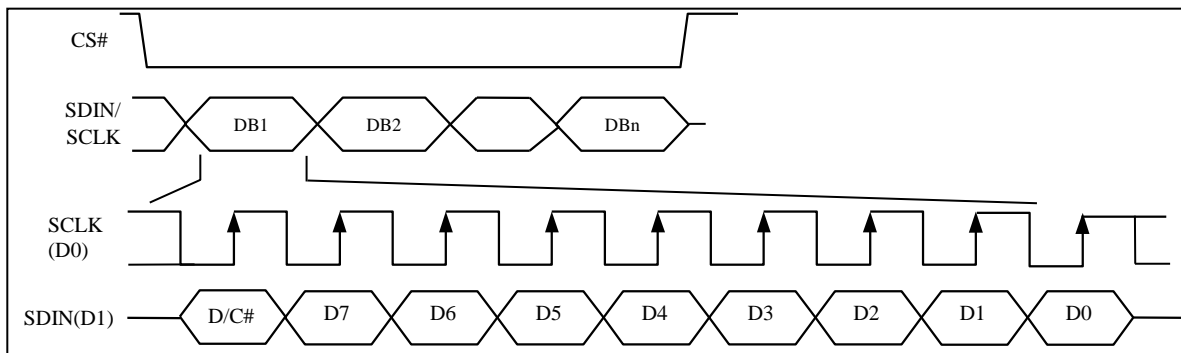
The operation is similar to 4-wire serial interface while D/C# pin is not used. There are altogether 9-bits will be shifted into the shift register on every ninth clock in sequence: D/C# bit, D7 to D0 bit. The D/C# bit (first bit of the sequential data) will determine the following data byte in the shift register is written to the Display Data RAM (D/C# bit = 1) or the command register (D/C# bit = 0). Under serial mode, only write operations are allowed.

**Table 7-5 : Control pins of 3-wire Serial interface**

Function	E(RD#)	R/W#(WR#)	CS#	D/C#	D0
Write command	Tie LOW	Tie LOW	L	Tie LOW	↑
Write data	Tie LOW	Tie LOW	L	Tie LOW	↑

**Note**  
<sup>(1)</sup> L stands for LOW in signal

**Figure 7-6 : Write procedure in 3-wire Serial interface mode**





### 7.1.5 MCU I<sup>2</sup>C Interface

The I<sup>2</sup>C communication interface consists of slave address bit SA0, I<sup>2</sup>C-bus data signal SDA (SDA<sub>OUT</sub>/D<sub>2</sub> for output and SDA<sub>IN</sub>/D<sub>1</sub> for input) and I<sup>2</sup>C-bus clock signal SCL (D<sub>0</sub>). Both the data and clock signals must be connected to pull-up resistors. RES# is used for the initialization of device.

a) Slave address bit (SA0)

SSD1306B has to recognize the slave address before transmitting or receiving any information by the I<sup>2</sup>C-bus. The device will respond to the slave address following by the slave address bit (“SA0” bit) and the read/write select bit (“R/W#” bit) with the following byte format,

b<sub>7</sub> b<sub>6</sub> b<sub>5</sub> b<sub>4</sub> b<sub>3</sub> b<sub>2</sub> b<sub>1</sub> b<sub>0</sub>

0 1 1 1 1 0 SA0 R/W#

“SA0” bit provides an extension bit for the slave address. Either “0111100” or “0111101”, can be selected as the slave address of SSD1306B. D/C# pin acts as SA0 for slave address selection.

“R/W#” bit is used to determine the operation mode of the I<sup>2</sup>C-bus interface. R/W#=1, it is in read mode.

R/W#=0, it is in write mode.

b) I<sup>2</sup>C-bus data signal (SDA)

SDA acts as a communication channel between the transmitter and the receiver. The data and the acknowledgement are sent through the SDA.

It should be noticed that the ITO track resistance and the pulled-up resistance at “SDA” pin becomes a voltage potential divider. As a result, the acknowledgement would not be possible to attain a valid logic 0 level in “SDA”.

“SDA<sub>IN</sub>” and “SDA<sub>OUT</sub>” are tied together and serve as SDA. The “SDA<sub>IN</sub>” pin must be connected to act as SDA. The “SDA<sub>OUT</sub>” pin may be disconnected. When “SDA<sub>OUT</sub>” pin is disconnected, the acknowledgement signal will be ignored in the I<sup>2</sup>C-bus.

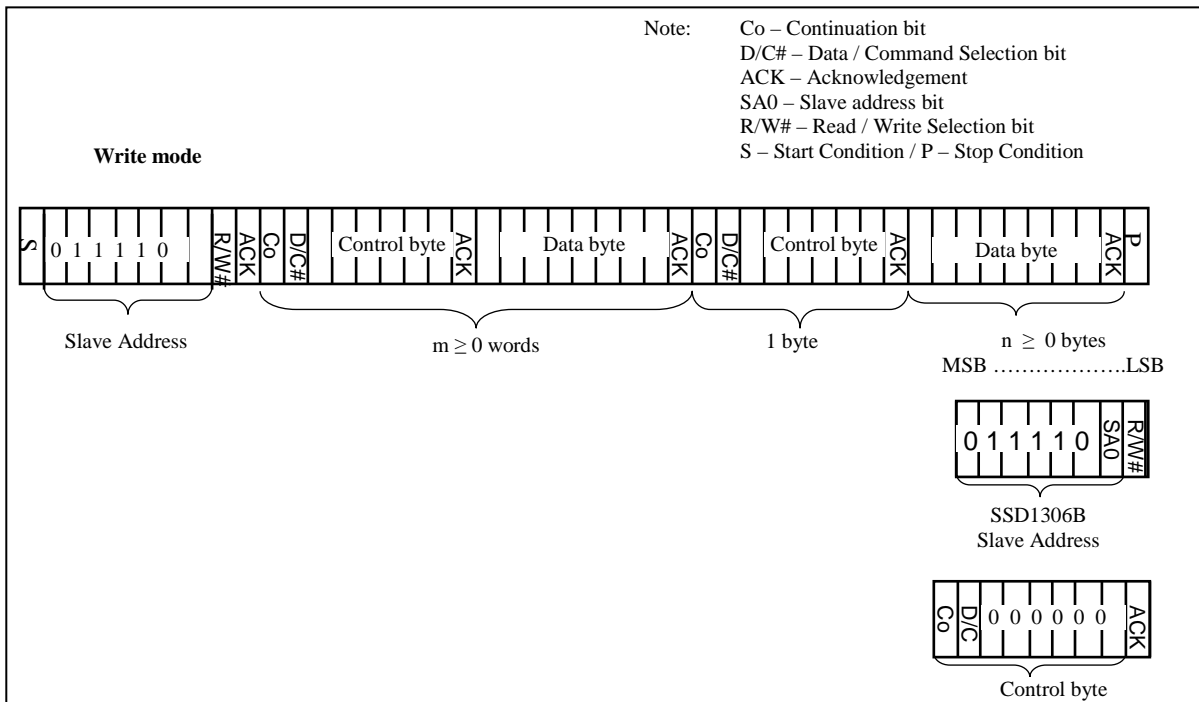
c) I<sup>2</sup>C-bus clock signal (SCL)

The transmission of information in the I<sup>2</sup>C-bus is following a clock signal, SCL. Each transmission of data bit is taken place during a single clock period of SCL.

### 7.1.5.1 I<sup>2</sup>C-bus Write data

The I<sup>2</sup>C-bus interface gives access to write data and command into the device. Please refer to Figure 7-7 for the write mode of I<sup>2</sup>C-bus in chronological order.

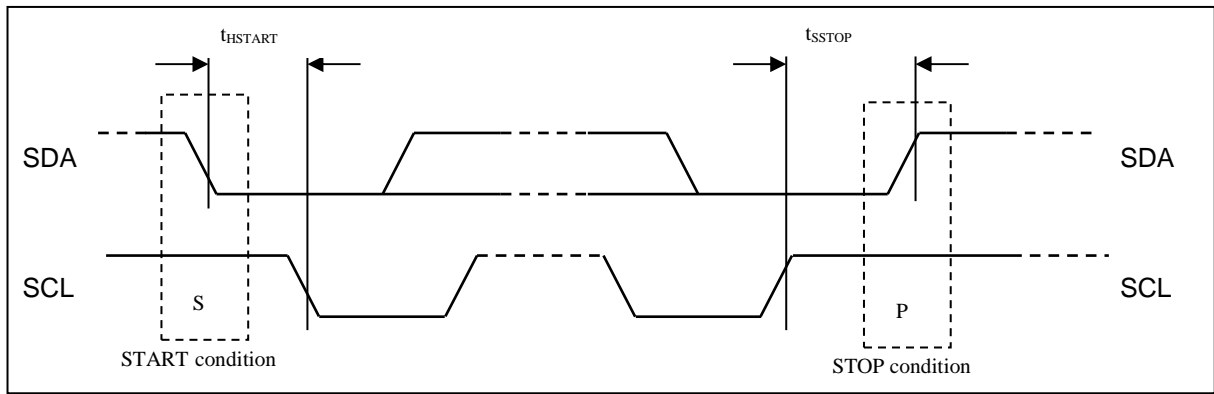
**Figure 7-7 : I<sup>2</sup>C-bus data format**



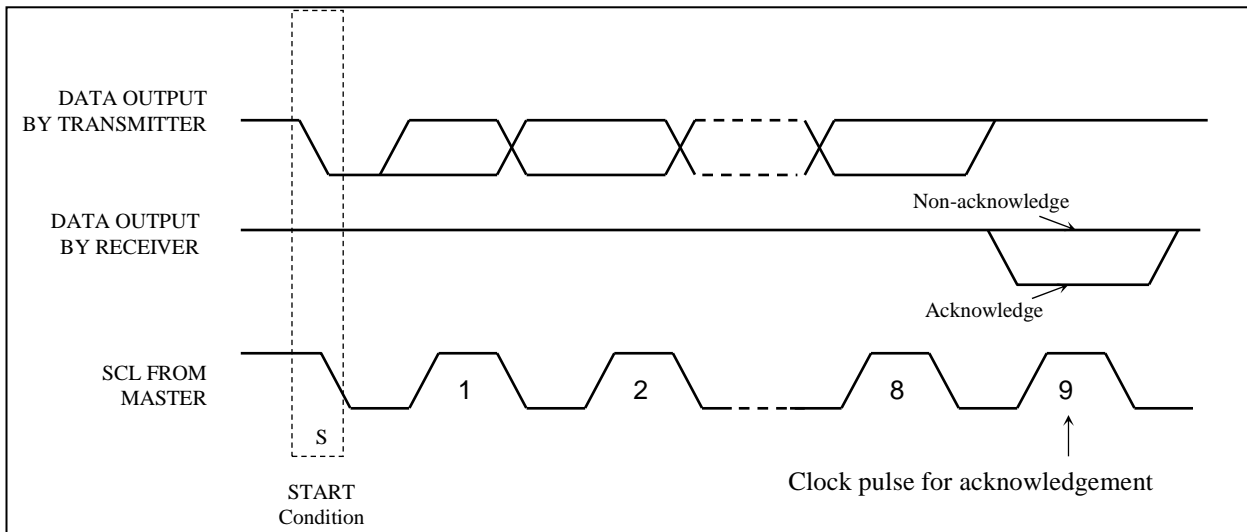
### 7.1.5.2 Write mode for I<sup>2</sup>C

- 1) The master device initiates the data communication by a start condition. The definition of the start condition is shown in Figure 7-8. The start condition is established by pulling the SDA from HIGH to LOW while the SCL stays HIGH.
- 2) The slave address is following the start condition for recognition use. For the SSD1306B, the slave address is either “b0111100” or “b0111101” by changing the SA0 to LOW or HIGH (D/C pin acts as SA0).
- 3) The write mode is established by setting the R/W# bit to logic “0”.
- 4) An acknowledgement signal will be generated after receiving one byte of data, including the slave address and the R/W# bit. Please refer to the Figure 7-9 for the graphical representation of the acknowledge signal. The acknowledge bit is defined as the SDA line is pulled down during the HIGH period of the acknowledgement related clock pulse.
- 5) After the transmission of the slave address, either the control byte or the data byte may be sent across the SDA. A control byte mainly consists of Co and D/C# bits following by six “0” ‘s.
  - a. If the Co bit is set as logic “0”, the transmission of the following information will contain data bytes only.
  - b. The D/C# bit determines the next data byte is acted as a command or a data. If the D/C# bit is set to logic “0”, it defines the following data byte as a command. If the D/C# bit is set to logic “1”, it defines the following data byte as a data which will be stored at the GDDRAM. The GDDRAM column address pointer will be increased by one automatically after each data write.
- 6) Acknowledge bit will be generated after receiving each control byte or data byte.
- 7) The write mode will be finished when a stop condition is applied. The stop condition is also defined in Figure 7-8. The stop condition is established by pulling the “SDA in” from LOW to HIGH while the “SCL” stays HIGH.

**Figure 7-8 : Definition of the Start and Stop Condition**



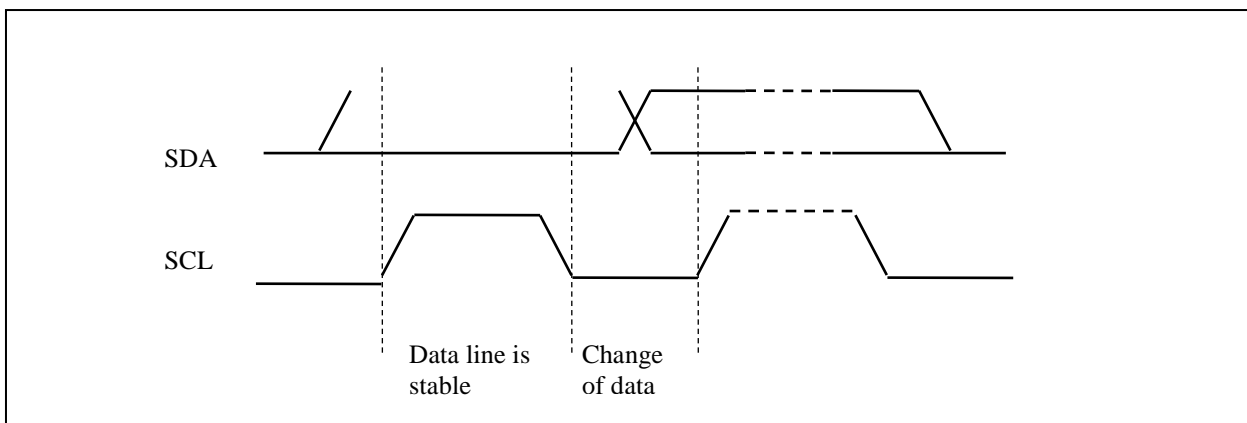
**Figure 7-9 : Definition of the acknowledgement condition**



Please be noted that the transmission of the data bit has some limitations.

1. The data bit, which is transmitted during each SCL pulse, must keep at a stable state within the "HIGH" period of the clock pulse. Please refer to the Figure 7-10 for graphical representations. Except in start or stop conditions, the data line can be switched only when the SCL is LOW.
2. Both the data line (SDA) and the clock line (SCL) should be pulled up by external resistors.

**Figure 7-10 : Definition of the data transfer condition**



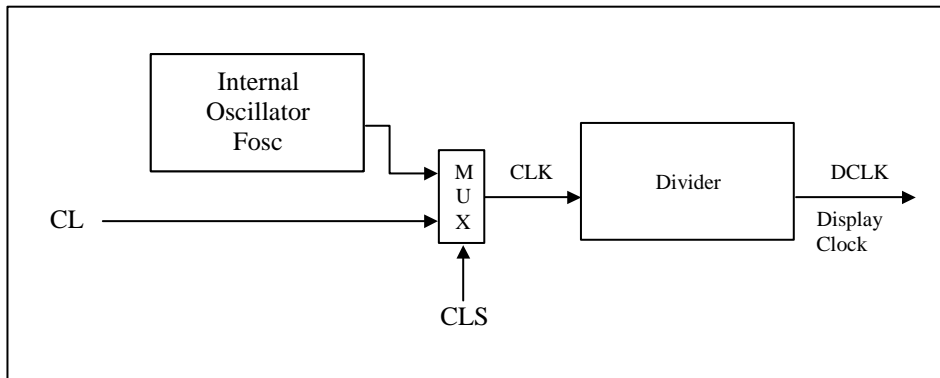
## 7.2 Command Decoder

This module determines whether the input data is interpreted as data or command. Data is interpreted based upon the input of the D/C# pin.

If D/C# pin is HIGH, D[7:0] is interpreted as display data written to Graphic Display Data RAM (GDDRAM). If it is LOW, the input at D[7:0] is interpreted as a command. Then data input will be decoded and written to the corresponding command register.

## 7.3 Oscillator Circuit and Display Time Generator

Figure 7-11 : Oscillator Circuit and Display Time Generator



This module is an on-chip LOW power RC oscillator circuitry. The operation clock (CLK) can be generated either from internal oscillator or external source CL pin. This selection is done by CLS pin. If CLS pin is pulled HIGH, internal oscillator is chosen and CL should be connected to V<sub>SS</sub>. Pulling CLS pin LOW disables internal oscillator and external clock must be connected to CL pins for proper operation. When the internal oscillator is selected, its output frequency F<sub>osc</sub> can be changed by command D5h A[7:4].

The display clock (DCLK) for the Display Timing Generator is derived from CLK. The division factor “D” can be programmed from 1 to 16 by command D5h

$$DCLK = F_{osc} / D$$

The frame frequency of display is determined by the following formula.

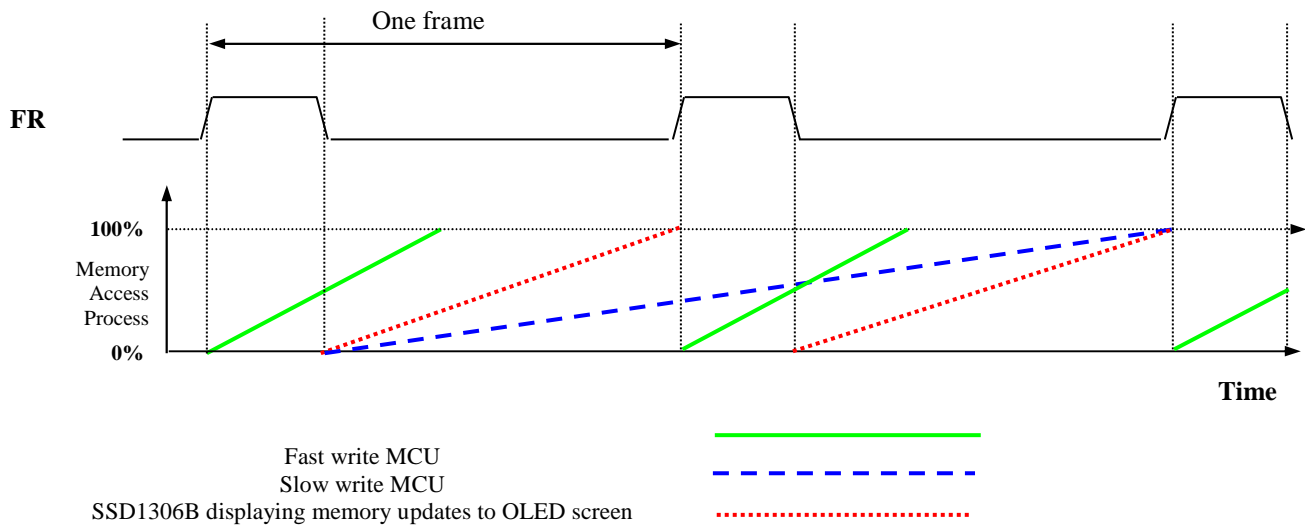
$$F_{FRM} = \frac{F_{osc}}{D \times K \times \text{No. of Mux}}$$

where

- D stands for clock divide ratio. It is set by command D5h A[3:0]. The divide ratio has the range from 1 to 16.
- K is the number of display clocks per row. The value is derived by  
 $K = \text{Phase 1 period} + \text{Phase 2 period} + \text{BANK0 pulse width}$   
 $= 2 + 2 + 50 = 54$  at power on reset  
 (Please refer to Section 7.6 “Segment Drivers / Common Drivers” for the details of the “Phase”)
- Number of multiplex ratio is set by command A8h. The power on reset value is 63 (i.e. 64MUX).
- F<sub>osc</sub> is the oscillator frequency. It can be changed by command D5h A[7:4]. The higher the register setting results in higher frequency.

## 7.4 FR synchronization

FR synchronization signal can be used to prevent tearing effect.



The starting time to write a new image to OLED driver is depended on the MCU writing speed. If MCU can finish writing a frame image within one frame period, it is classified as fast write MCU. For MCU needs longer writing time to complete (more than one frame but within two frames), it is a slow write one.

**For fast write MCU:** MCU should start to write new frame of ram data just after rising edge of FR pulse and should be finished well before the rising edge of the next FR pulse.

**For slow write MCU:** MCU should start to write new frame ram data after the falling edge of the 1<sup>st</sup> FR pulse and must be finished before the rising edge of the 3<sup>rd</sup> FR pulse.

## 7.5 Reset Circuit

When RES# input is LOW, the chip is initialized with the following status:

1. Display is OFF
2. 128 x 64 Display Mode
3. Normal segment and display data column address and row address mapping (SEG0 mapped to address 00h and COM0 mapped to address 00h)
4. Shift register data clear in serial interface
5. Display start line is set at display RAM address 0
6. Column address counter is set at 0
7. Normal scan direction of the COM outputs
8. Contrast control register is set at 7Fh
9. Normal display mode (Equivalent to A4h command)

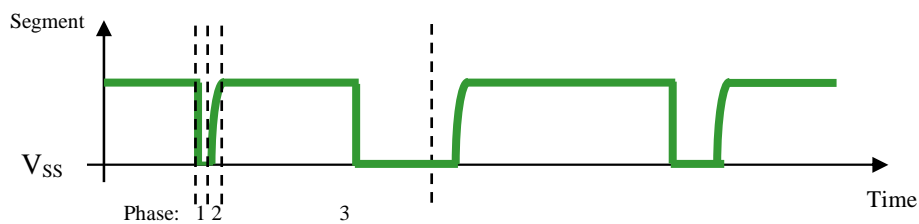
## 7.6 Segment Drivers / Common Drivers

Segment drivers deliver 128 current sources to drive the OLED panel. . The driving current can be adjusted by altering the registers of the contrast setting command (81h). Common drivers generate voltage-scanning pulses.

The segment driving waveform is divided into three phases:

1. In phase 1, the OLED pixel charges of previous image are discharged in order to prepare for next image content display.
2. In phase 2, the OLED pixel is driven to the targeted voltage. The pixel is driven to attain the corresponding voltage level from  $V_{SS}$ . The period of phase 2 can be programmed in length from 1 to 15 DCLKs. If the capacitance value of the pixel of OLED panel is larger, a longer period is required to charge up the capacitor to reach the desired voltage.
3. In phase 3, the OLED driver switches to use current source to drive the OLED pixels and this is the current drive stage.

Figure 7-12 : Segment Output Waveform in three phases



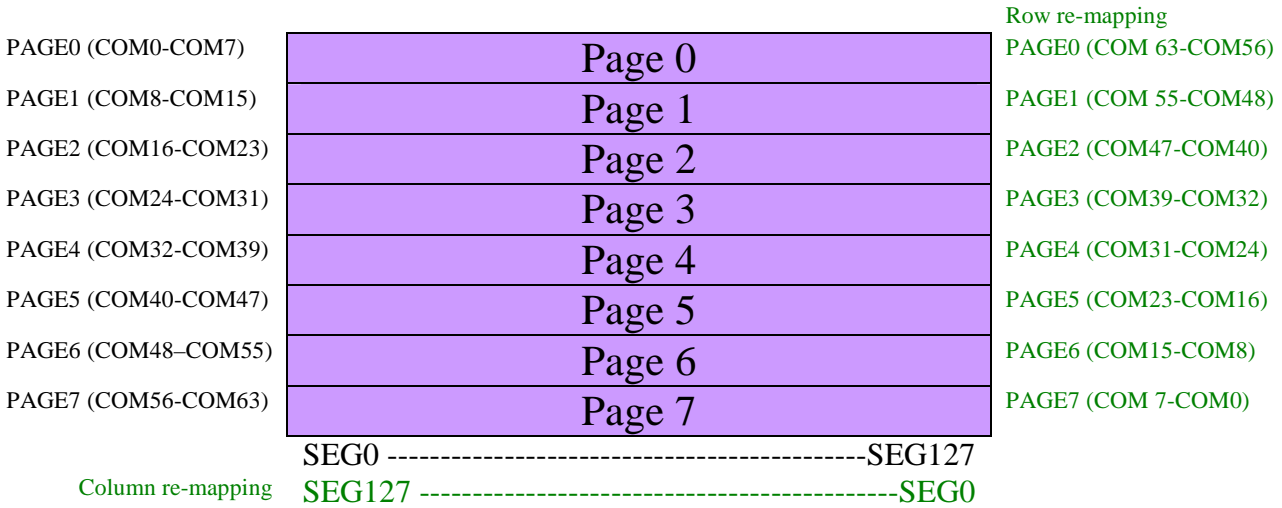
After finishing phase 3, the driver IC will go back to phase 1 to display the next row image data. This three-step cycle is run continuously to refresh image display on OLED panel.

In phase 3, if the length of current drive pulse width is set to 50, after finishing 50 DCLKs in current drive phase, the driver IC will go back to phase 1 for next row display.

### 7.7 Graphic Display Data RAM (GDDRAM)

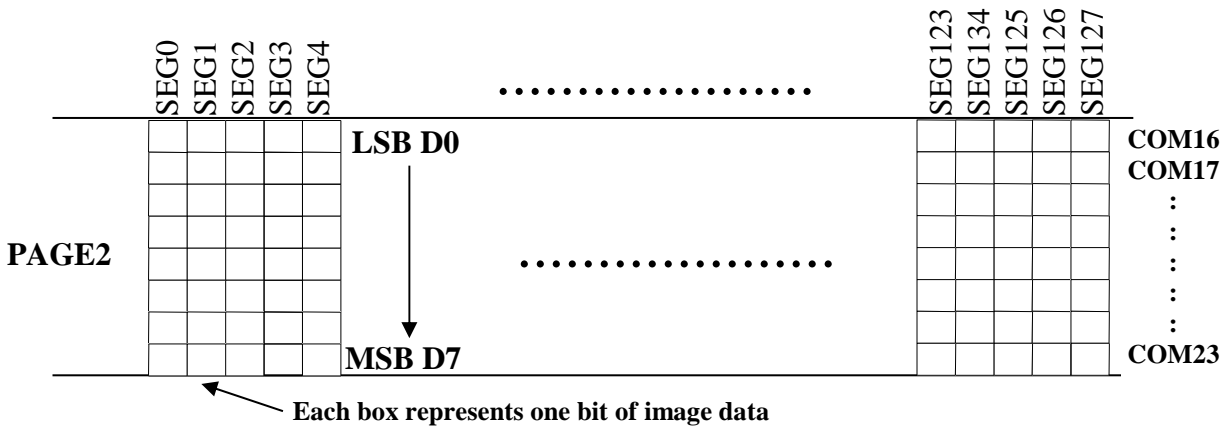
The GDDRAM is a bit mapped static RAM holding the bit pattern to be displayed. The size of the RAM is 128 x 64 bits and the RAM is divided into eight pages, from PAGE0 to PAGE7, which are used for monochrome 128x64 dot matrix display, as shown in Figure 7-13.

**Figure 7-13 : GDDRAM pages structure of SSD1306B**



When one data byte is written into GDDRAM, all the rows image data of the same page of the current column are filled (i.e. the whole column (8 bits) pointed by the column address pointer is filled.). Data bit D0 is written into the top row, while data bit D7 is written into bottom row as shown in Figure 7-14.

**Figure 7-14 : Enlargement of GDDRAM (No row re-mapping and column-remapping)**



For mechanical flexibility, re-mapping on both Segment and Common outputs can be selected by software as shown in Figure 7-13.

For vertical shifting of the display, an internal register storing the display start line can be set to control the portion of the RAM data to be mapped to the display (command D3h).

## 7.8 SEG/COM Driving block

This block is used to derive the incoming power sources into the different levels of internal use voltage and current.

- $V_{CC}$  is the most positive voltage supply.
- $V_{COMH}$  is the Common deselected level. It is internally regulated.
- $V_{LSS}$  is the ground path of the analog and panel current.
- $I_{REF}$  is a reference current source for segment current drivers  $I_{SEG}$ . The relationship between reference current and segment current of a color is:

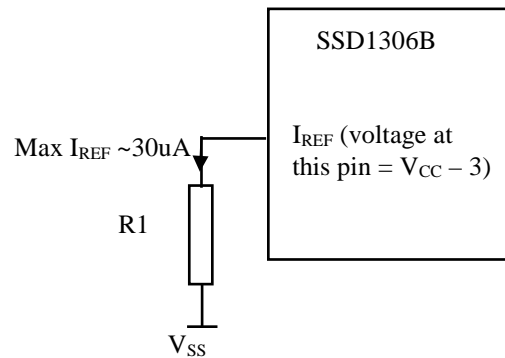
$$I_{SEG} = (\text{Contrast}) / 256 \times I_{REF} \times \text{scale factor}$$

in which

the contrast (1~255) is set by Set Contrast command 81h; and  
the scale factor is 8 by default.

When external  $I_{REF}$  is used, the magnitude of  $I_{REF}$  is controlled by the value of resistor, which is connected between  $I_{REF}$  pin and  $V_{SS}$  as shown in Figure 7-15. It is recommended to set  $I_{REF}$  to  $30 \pm 2 \mu A$  so as to achieve  $I_{SEG} = 240 \mu A$  at maximum contrast 255.

**Figure 7-15 :  $I_{REF}$  Current Setting by Resistor Value**



Since the voltage at  $I_{REF}$  pin is  $V_{CC} - 3V$ , the value of resistor  $R1$  can be found as below:

For  $I_{REF} (\text{max}) = 30 \mu A$ ,  $V_{CC} = 12V$ :

$$\begin{aligned} R1 &= (\text{Voltage at } I_{REF} - V_{SS}) / I_{REF} \\ &= (12 - 3) / 30 \mu A \\ &= 300K\Omega \end{aligned}$$

When internal  $I_{REF}$  is used, the  $I_{REF}$  pin should be kept NC and the  $I_{SEG}$  can be set as either  $150 \mu A$  or  $240 \mu A$  (max) by software command ADh setting. The selection of external or internal  $I_{REF}$  is also controlled by command ADh. For details, please refer to Table 8-1.



## 7.9 Power ON and OFF sequence

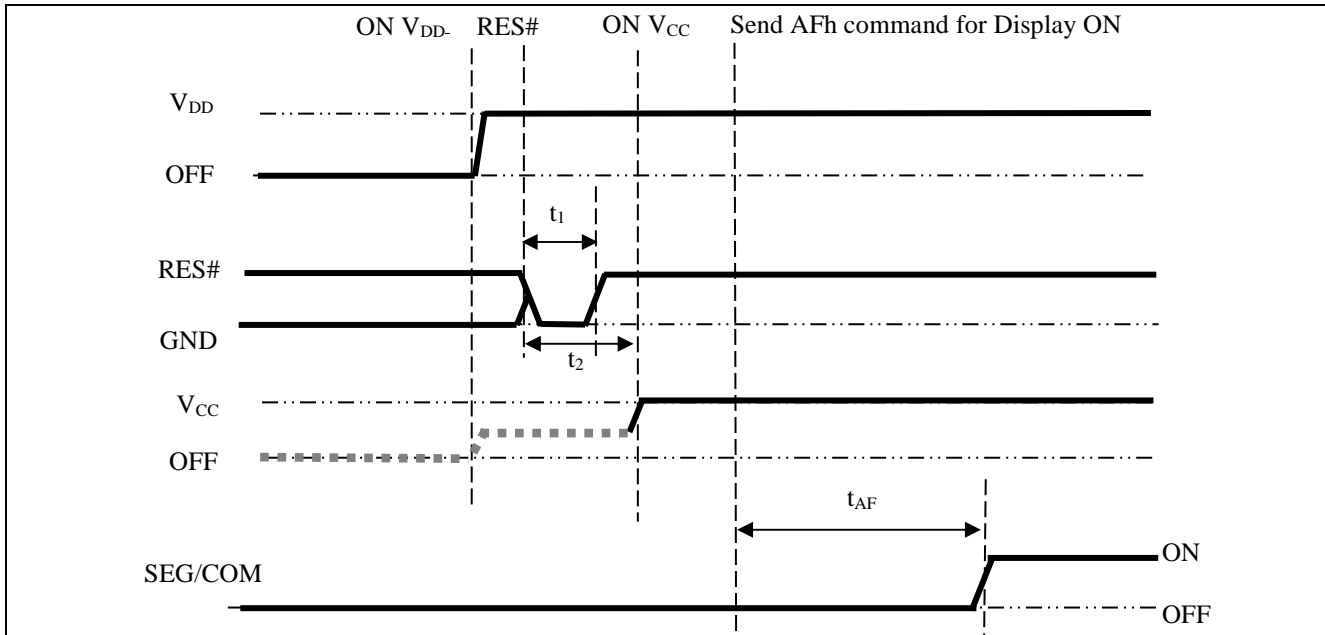
The following figures illustrate the recommended power ON and power OFF sequence of SSD1306B:

### 7.9.1 Power ON and OFF sequence with External V<sub>CC</sub>

*Power ON sequence:*

1. Power ON V<sub>DD</sub>
2. After V<sub>DD</sub> become stable, set RES# pin LOW (logic low) for at least 3 $\mu$ s ( $t_1$ )<sup>(4)</sup> and then HIGH (logic high).
3. After set RES# pin LOW (logic low), wait for at least 3 $\mu$ s ( $t_2$ ). Then Power ON V<sub>CC</sub>.<sup>(1)</sup>
4. After V<sub>CC</sub> become stable, send command AFh for display ON. SEG/COM will be ON after 100ms ( $t_{AF}$ ).

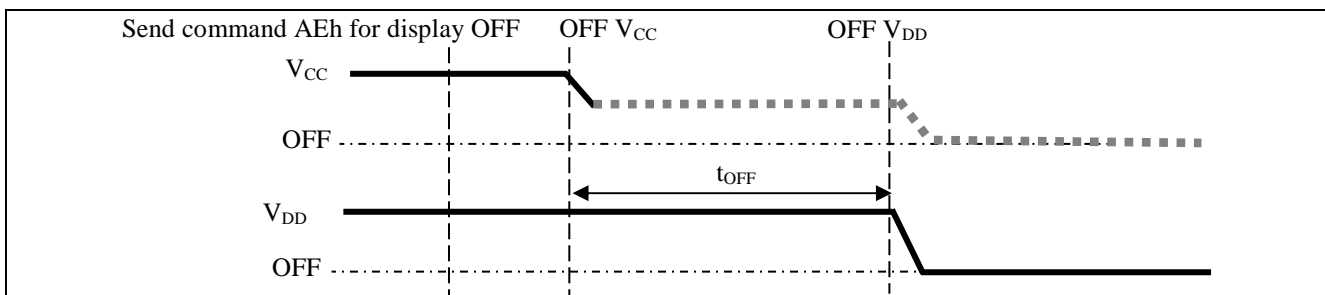
**Figure 7-16 : The Power ON sequence**



*Power OFF sequence:*

1. Send command AEh for display OFF.
2. Power OFF V<sub>CC</sub>.<sup>(1), (2), (3)</sup>
3. Power OFF V<sub>DD</sub> after  $t_{OFF}$ .<sup>(5)</sup> (Typical  $t_{OFF}$ =100ms)

**Figure 7-17 : The Power OFF sequence**



**Note:**

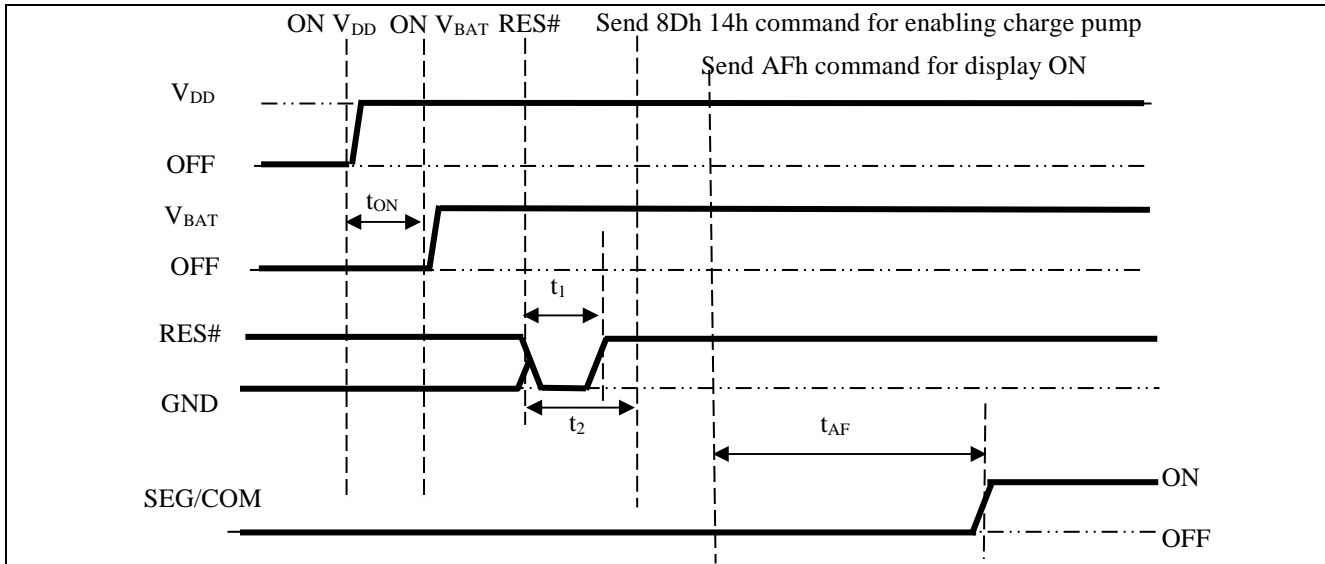
- (1) Since an ESD protection circuit is connected between V<sub>DD</sub> and V<sub>CC</sub>, V<sub>CC</sub> becomes lower than V<sub>DD</sub> whenever V<sub>DD</sub> is ON and V<sub>CC</sub> is OFF as shown in the dotted line of V<sub>CC</sub> in Figure 7-16 and Figure 7-17.
- (2) V<sub>CC</sub> should be kept float (i.e. disable) when it is OFF.
- (3) Power Pins (V<sub>CC</sub>) can never be pulled to ground under any circumstance.
- (4) The register values are reset after  $t_1$ .
- (5) V<sub>DD</sub> should not be Power OFF before V<sub>CC</sub> Power OFF.

## 7.9.2 Power ON and OFF sequence with Charge Pump Application

### Power ON sequence:

1. Power ON  $V_{DD}$
2. Wait for  $t_{ON}$ . Power ON  $V_{BAT}$ .<sup>(1), (2)</sup> (where Minimum  $t_{ON} = 0ms$ )
3. After  $V_{BAT}$  become stable, set RES# pin LOW (logic low) for at least 3us ( $t_1$ )<sup>(3)</sup> and then HIGH (logic high).
4. After set RES# pin LOW (logic low), wait for at least 3us ( $t_2$ ). Then input commands with below sequence:
  - a. 8Dh 14h for enabling charge pump at 7.5V mode
  - b. AFh for display ON
5. SEG/COM will be ON after 100ms ( $t_{AF}$ ).

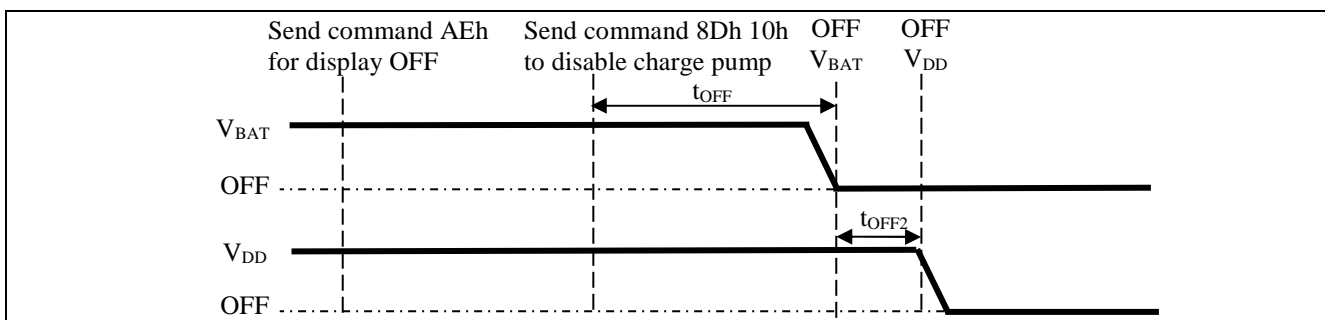
Figure 7-18 : The Power ON sequence with Charge Pump Application



### Power OFF sequence:

1. Send command AEh for display OFF
2. Send command 8Dh 10h to disable charge pump
3. Power OFF  $V_{BAT}$  after  $t_{OFF}$ .<sup>(1), (2)</sup> (Typical  $t_{OFF} = 100ms$ )
4. Power OFF  $V_{DD}$  after  $t_{OFF2}$ . (where Minimum  $t_{OFF2} = 0ms$ )<sup>(4)</sup>, Typical  $t_{OFF2} = 5ms$ )

Figure 7-19 : The Power OFF sequence with Charge Pump Application



### Note:

- (1)  $V_{BAT}$  should be kept float (i.e. disable) when it is OFF.
- (2) Power Pins ( $V_{BAT}$ ) can never be pulled to ground under any circumstance.
- (3) The register values are reset after  $t_1$ .
- (4)  $V_{DD}$  should not be Power OFF before  $V_{BAT}$  Power OFF

## 7.10 Charge Pump Regulator

The internal regulator circuit in SSD1306B accompanying only 2 external capacitors can generate a maximum of 9.0V voltage supply,  $V_{CC}$  and a maximum output loading of 12mA from a low voltage supply input,  $V_{BAT}$ . In SSD1306B, there are 4 charge pump output  $V_{CC}$  setting, 6V, 7.5V, 8.5V and 9V, which can be selected by software command 8Dh setting. The  $V_{CC}$  is the voltage supply to the OLED driver block. This regulator can be turned ON/OFF by software command 8Dh setting. For details, please refer to Table 8-1.

## 8 COMMAND TABLE

**Table 8-1: Command Table**

(D/C#=0, R/W#(WR#) = 0, E(RD#=1) unless specific setting is stated)

1. Fundamental Command Table											
D/C#	Hex	D7	D6	D5	D4	D3	D2	D1	D0	Command	Description
0 0	81 A[7:0]	1 A <sub>7</sub>	0 A <sub>6</sub>	0 A <sub>5</sub>	0 A <sub>4</sub>	0 A <sub>3</sub>	0 A <sub>2</sub>	0 A <sub>1</sub>	1 A <sub>0</sub>	Set Contrast Control	Double byte command to select one of the contrast steps. Contrast increases as the value increases. (RESET = 7Fh ) A[7:0] valid range: 01h to FFh
0	A4/A5	1	0	1	0	0	1	0	X <sub>0</sub>	Entire Display ON	A4h, X <sub>0</sub> =0b: Resume to RAM content display (RESET) Output follows RAM content A5h, X <sub>0</sub> =1b: Entire display ON Output ignores RAM content
0	A6/A7	1	0	1	0	0	1	1	X <sub>0</sub>	Set Normal/Inverse Display	A6h, X[0]=0b: Normal display (RESET) 0 in RAM: OFF in display panel 1 in RAM: ON in display panel A7h, X[0]=1b: Inverse display 0 in RAM: ON in display panel 1 in RAM: OFF in display panel
0 0	AD A[5:4]	1 0	0 0	1 A <sub>5</sub>	0 A <sub>4</sub>	1 0	1 0	0 0	1 0	Internal I <sub>REF</sub> Setting	Select external or internal I <sub>REF</sub> : A[4] = '0': Select external I <sub>REF</sub> (RESET) A[4] = '1': Enable internal I <sub>REF</sub> during display ON  Internal I <sub>REF</sub> value setting: A[5] = '0': Internal I <sub>REF</sub> setting: 19uA, output a maximum I <sub>SEG</sub> =150uA (RESET) A[5] = '1': Internal I <sub>REF</sub> setting: 30uA, output a maximum I <sub>SEG</sub> =240uA  Note ( <sup>1</sup> ) Refer to section 7.8 for details.
0	AE/AF	1	0	1	0	1	1	1	X <sub>0</sub>	Set Display ON/OFF	AEh, X[0]=0b: Display OFF (sleep mode) (RESET) AFh X[0]=1b: Display ON in normal mode
0	E3	1	1	1	0	0	0	1	1	NOP	Command for no operation

## 2. Scrolling Command Table

D/C#	Hex	D7	D6	D5	D4	D3	D2	D1	D0	Command	Description									
0	26/27	0	0	1	0	0	1	1	X <sub>0</sub>	Continuous	26h, X[0]=0, Right Horizontal Scroll									
0	A[7:0]	0	0	0	0	0	0	0	0	Horizontal Scroll	27h, X[0]=1, Left Horizontal Scroll									
0	B[2:0]	*	*	*	*	*	B <sub>2</sub>	B <sub>1</sub>	B <sub>0</sub>	Setup	(Horizontal scroll by 1 column)									
0	C[2:0]	*	*	*	*	*	C <sub>2</sub>	C <sub>1</sub>	C <sub>0</sub>		A[7:0] : Dummy byte (Set as 00h)									
0	D[2:0]	*	*	*	*	*	D <sub>2</sub>	D <sub>1</sub>	D <sub>0</sub>		B[2:0] : Define start page address									
0	E[7:0]	*	E <sub>6</sub>	E <sub>5</sub>	E <sub>4</sub>	E <sub>3</sub>	E <sub>2</sub>	E <sub>1</sub>	E <sub>0</sub>											
0	F[7:0]	*	F <sub>6</sub>	F <sub>5</sub>	F <sub>4</sub>	F <sub>3</sub>	F <sub>2</sub>	F <sub>1</sub>	F <sub>0</sub>											
											<table border="1"> <tr> <td>000b – PAGE0</td> <td>011b – PAGE3</td> <td>110b – PAGE6</td> </tr> <tr> <td>001b – PAGE1</td> <td>100b – PAGE4</td> <td>111b – PAGE7</td> </tr> <tr> <td>010b – PAGE2</td> <td>101b – PAGE5</td> <td></td> </tr> </table>	000b – PAGE0	011b – PAGE3	110b – PAGE6	001b – PAGE1	100b – PAGE4	111b – PAGE7	010b – PAGE2	101b – PAGE5	
000b – PAGE0	011b – PAGE3	110b – PAGE6																		
001b – PAGE1	100b – PAGE4	111b – PAGE7																		
010b – PAGE2	101b – PAGE5																			
											<p>C[2:0] : Set time interval between each scroll step in terms of frame frequency</p> <table border="1"> <tr> <td>000b – 6 frames</td> <td>100b – 3 frames</td> </tr> <tr> <td>001b – 32 frames</td> <td>101b – 4 frames</td> </tr> <tr> <td>010b – 64 frames</td> <td>110b – 5 frame</td> </tr> <tr> <td>011b – 128 frames</td> <td>111b – 2 frame</td> </tr> </table>	000b – 6 frames	100b – 3 frames	001b – 32 frames	101b – 4 frames	010b – 64 frames	110b – 5 frame	011b – 128 frames	111b – 2 frame	
000b – 6 frames	100b – 3 frames																			
001b – 32 frames	101b – 4 frames																			
010b – 64 frames	110b – 5 frame																			
011b – 128 frames	111b – 2 frame																			
											<p>D[2:0] : Define end page address</p> <table border="1"> <tr> <td>000b – PAGE0</td> <td>011b – PAGE3</td> <td>110b – PAGE6</td> </tr> <tr> <td>001b – PAGE1</td> <td>100b – PAGE4</td> <td>111b – PAGE7</td> </tr> <tr> <td>010b – PAGE2</td> <td>101b – PAGE5</td> <td></td> </tr> </table>	000b – PAGE0	011b – PAGE3	110b – PAGE6	001b – PAGE1	100b – PAGE4	111b – PAGE7	010b – PAGE2	101b – PAGE5	
000b – PAGE0	011b – PAGE3	110b – PAGE6																		
001b – PAGE1	100b – PAGE4	111b – PAGE7																		
010b – PAGE2	101b – PAGE5																			
											E[6:0] : Define start column address (RESET = 00h)									
											F[6:0] : Define end column address (RESET = 7Fh)									
											<p><b>Notes:</b></p> <p>(1) The value of D[2:0] must be larger than or equal to B[2:0]</p> <p>(2) The value of F[6:0] must be larger than or equal to E[6:0]</p>									

## 2. Scrolling Command Table

D/C#	Hex	D7	D6	D5	D4	D3	D2	D1	D0	Command	Description									
0	29/2A	0	0	1	0	1	0	X <sub>1</sub>	X <sub>0</sub>	Continuous	29h, X <sub>1</sub> X <sub>0</sub> =01b : Vertical and Right Horizontal Scroll									
0	A[2:0]	0	0	0	0	0	0	0	0	Vertical and	2Ah, X <sub>1</sub> X <sub>0</sub> =10b : Vertical and Left Horizontal Scroll									
0	B[2:0]	*	*	*	*	*	B <sub>2</sub>	B <sub>1</sub>	B <sub>0</sub>	Horizontal Scroll	(Horizontal scroll by 1 column)									
0	C[2:0]	*	*	*	*	*	C <sub>2</sub>	C <sub>1</sub>	C <sub>0</sub>	Setup										
0	D[2:0]	*	*	*	*	*	D <sub>2</sub>	D <sub>1</sub>	D <sub>0</sub>		A[7:0] : Dummy byte									
0	E[5:0]	*	*	E <sub>5</sub>	E <sub>4</sub>	E <sub>3</sub>	E <sub>2</sub>	E <sub>1</sub>	E <sub>0</sub>		B[2:0] : Define start page address									
										<table border="1"> <tr> <td>000b – PAGE0</td> <td>011b – PAGE3</td> <td>110b – PAGE6</td> </tr> <tr> <td>001b – PAGE1</td> <td>100b – PAGE4</td> <td>111b – PAGE7</td> </tr> <tr> <td>010b – PAGE2</td> <td>101b – PAGE5</td> <td></td> </tr> </table>		000b – PAGE0	011b – PAGE3	110b – PAGE6	001b – PAGE1	100b – PAGE4	111b – PAGE7	010b – PAGE2	101b – PAGE5	
000b – PAGE0	011b – PAGE3	110b – PAGE6																		
001b – PAGE1	100b – PAGE4	111b – PAGE7																		
010b – PAGE2	101b – PAGE5																			
										C[2:0] : Set time interval between each scroll step in terms of frame frequency										
										<table border="1"> <tr> <td>000b – 6 frames</td> <td>100b – 3 frames</td> </tr> <tr> <td>001b – 32 frames</td> <td>101b – 4 frames</td> </tr> <tr> <td>010b – 64 frames</td> <td>110b – 5 frame</td> </tr> <tr> <td>011b – 128 frames</td> <td>111b – 2 frame</td> </tr> </table>		000b – 6 frames	100b – 3 frames	001b – 32 frames	101b – 4 frames	010b – 64 frames	110b – 5 frame	011b – 128 frames	111b – 2 frame	
000b – 6 frames	100b – 3 frames																			
001b – 32 frames	101b – 4 frames																			
010b – 64 frames	110b – 5 frame																			
011b – 128 frames	111b – 2 frame																			
										D[2:0] : Define end page address										
										<table border="1"> <tr> <td>000b – PAGE0</td> <td>011b – PAGE3</td> <td>110b – PAGE6</td> </tr> <tr> <td>001b – PAGE1</td> <td>100b – PAGE4</td> <td>111b – PAGE7</td> </tr> <tr> <td>010b – PAGE2</td> <td>101b – PAGE5</td> <td></td> </tr> </table>		000b – PAGE0	011b – PAGE3	110b – PAGE6	001b – PAGE1	100b – PAGE4	111b – PAGE7	010b – PAGE2	101b – PAGE5	
000b – PAGE0	011b – PAGE3	110b – PAGE6																		
001b – PAGE1	100b – PAGE4	111b – PAGE7																		
010b – PAGE2	101b – PAGE5																			
										The value of D[2:0] must be larger or equal to B[2:0]										
										E[5:0] : Vertical scrolling offset e.g. E[5:0]= 01h refer to offset =1 row E[5:0] =3Fh refer to offset =63 rows										
										<p><b>Note</b></p> <p><sup>(1)</sup> No continuous vertical scrolling is available.</p>										
0	2E	0	0	1	0	1	1	1	0	Deactivate scroll	Stop scrolling that is configured by command 26h/27h/29h/2Ah.									
										<p><b>Note</b></p> <p><sup>(1)</sup> After sending 2Eh command to deactivate the scrolling action, the ram data needs to be rewritten.</p>										
0	2F	0	0	1	0	1	1	1	1	Activate scroll	Start scrolling that is configured by the scrolling setup									

## 2. Scrolling Command Table

D/C#	Hex	D7	D6	D5	D4	D3	D2	D1	D0	Command	Description
											<p>commands :26h/27h/29h/2Ah with the following valid sequences:</p> <p>Valid command sequence 1: 26h ;2Fh.            Valid command sequence 2: 27h ;2Fh.            Valid command sequence 3: 29h ;2Fh.            Valid command sequence 4: 2Ah ;2Fh.</p> <p>For example, if “26h; 2Ah; 2Fh.” commands are issued, the setting in the last scrolling setup command, i.e. 2Ah in this case, will be executed. In other words, setting in the last scrolling setup command overwrites the setting in the previous scrolling setup commands.</p>
0 0 0	A3 A[5:0] B[6:0]	1 * *	0 * B <sub>6</sub>	1 A <sub>5</sub> B <sub>5</sub>	0 A <sub>4</sub> B <sub>4</sub>	0 A <sub>3</sub> B <sub>3</sub>	0 A <sub>2</sub> B <sub>2</sub>	1 A <sub>1</sub> B <sub>1</sub>	1 A <sub>0</sub> B <sub>0</sub>	Set Vertical Scroll Area	<p>A[5:0] : Set No. of rows in top fixed area. The No. of rows in top fixed area is referenced to the top of the GDDRAM (i.e. row 0). [RESET = 0]</p> <p>B[6:0] : Set No. of rows in scroll area. This is the number of rows to be used for vertical scrolling. The scroll area starts in the first row below the top fixed area. [RESET = 64]</p> <p><b>Note</b></p> <p>(1) A[5:0]+B[6:0] &lt;= MUX ratio            (2) B[6:0] &lt;= MUX ratio            (3a) Vertical scrolling offset (E[5:0] in 29h/2Ah) &lt; B[6:0]            (3b) Set Display Start Line (X<sub>5</sub>X<sub>4</sub>X<sub>3</sub>X<sub>2</sub>X<sub>1</sub>X<sub>0</sub> of 40h~7Fh) &lt; B[6:0]            (4) The last row of the scroll area shifts to the first row of the scroll area.            (5) For 64d MUX display            A[5:0] = 0, B[6:0]=64 : whole area scrolls            A[5:0] = 0, B[6:0] &lt; 64 : top area scrolls            A[5:0] + B[6:0] &lt; 64 : central area scrolls            A[5:0] + B[6:0] = 64 : bottom area scrolls</p>
0 0 0 0 0 0	2C/2D A[7:0] B[2:0] C[7:0] D[2:0] E[7:0]	0 0 * * * *	0 0 * * * E <sub>6</sub>	1 0 * * * E <sub>5</sub>	0 0 * * * E <sub>4</sub>	1 0 * * * E <sub>3</sub>	1 0 * 0 D <sub>2</sub> E <sub>2</sub>	0 0 B <sub>2</sub> 0 D <sub>1</sub> E <sub>1</sub>	X <sub>0</sub> 0 B <sub>1</sub> 0 D <sub>0</sub> E <sub>0</sub>	Content Scroll Setup	<p>2Ch, X[0]=0, Right Horizontal Scroll by one column            2Dh, X[0]=1, Left Horizontal Scroll by one column</p> <p>A[7:0] : Dummy byte (Set as 00h)</p> <p>B[2:0] : Define start page address</p>

## 2. Scrolling Command Table

D/C#	Hex	D7	D6	D5	D4	D3	D2	D1	D0	Command	Description																		
0	F[7:0]	*	F <sub>6</sub>	F <sub>5</sub>	F <sub>4</sub>	F <sub>3</sub>	F <sub>2</sub>	F <sub>1</sub>	F <sub>0</sub>		<table border="1"> <tr> <td>000b – PAGE0</td> <td>011b – PAGE3</td> <td>110b – PAGE6</td> </tr> <tr> <td>001b – PAGE1</td> <td>100b – PAGE4</td> <td>111b – PAGE7</td> </tr> <tr> <td>010b – PAGE2</td> <td>101b – PAGE5</td> <td></td> </tr> </table> <p>C[7:0] : Dummy byte (Set as 01h)</p> <p>D[2:0] : Define end page address</p> <table border="1"> <tr> <td>000b – PAGE0</td> <td>011b – PAGE3</td> <td>110b – PAGE6</td> </tr> <tr> <td>001b – PAGE1</td> <td>100b – PAGE4</td> <td>111b – PAGE7</td> </tr> <tr> <td>010b – PAGE2</td> <td>101b – PAGE5</td> <td></td> </tr> </table> <p>E[6:0] : Define start column address (RESET = 00h)</p> <p>F[6:0] : Define end column address (RESET = 7Fh)</p> <p><b>Note</b></p> <p>(1) The value of D[2:0] must be larger than or equal to B[2:0]</p> <p>(2) The value of F[6:0] must be larger than E[6:0]</p> <p>(3) A delay time of 2 frame frequency must be set if sending the command of 2Ch / 2Dh consecutively</p>	000b – PAGE0	011b – PAGE3	110b – PAGE6	001b – PAGE1	100b – PAGE4	111b – PAGE7	010b – PAGE2	101b – PAGE5		000b – PAGE0	011b – PAGE3	110b – PAGE6	001b – PAGE1	100b – PAGE4	111b – PAGE7	010b – PAGE2	101b – PAGE5	
000b – PAGE0	011b – PAGE3	110b – PAGE6																											
001b – PAGE1	100b – PAGE4	111b – PAGE7																											
010b – PAGE2	101b – PAGE5																												
000b – PAGE0	011b – PAGE3	110b – PAGE6																											
001b – PAGE1	100b – PAGE4	111b – PAGE7																											
010b – PAGE2	101b – PAGE5																												

## 3. Addressing Setting Command Table

D/C#	Hex	D7	D6	D5	D4	D3	D2	D1	D0	Command	Description
0	00~0F	0	0	0	0	X <sub>3</sub>	X <sub>2</sub>	X <sub>1</sub>	X <sub>0</sub>	Set Lower Column Start Address for Page Addressing Mode	<p>Set the lower nibble of the column start address register for Page Addressing Mode using X[3:0] as data bits. The initial display line register is reset to 0000b after RESET.</p> <p><b>Note</b></p> <p>(1) This command is only for page addressing mode</p>
0	10~1F	0	0	0	1	X <sub>3</sub>	X <sub>2</sub>	X <sub>1</sub>	X <sub>0</sub>	Set Higher Column Start Address for Page Addressing Mode	<p>Set the higher nibble of the column start address register for Page Addressing Mode using X[3:0] as data bits. The initial display line register is reset to 0000b after RESET.</p> <p><b>Note</b></p> <p>(1) This command is only for page addressing mode</p>
0 0	20 A[1:0]	0 *	0 *	1 *	0 *	0 *	0 *	0 A <sub>1</sub>	0 A <sub>0</sub>	Set Memory Addressing Mode	<p>A[1:0] = 00b, Horizontal Addressing Mode</p> <p>A[1:0] = 01b, Vertical Addressing Mode</p> <p>A[1:0] = 10b, Page Addressing Mode (RESET)</p> <p>A[1:0] = 11b, Invalid</p>
0 0 0	21 A[6:0] B[6:0]	0 * *	0 A <sub>6</sub> B <sub>6</sub>	1 A <sub>5</sub> B <sub>5</sub>	0 A <sub>4</sub> B <sub>4</sub>	0 A <sub>3</sub> B <sub>3</sub>	0 A <sub>2</sub> B <sub>2</sub>	0 A <sub>1</sub> B <sub>1</sub>	1 A <sub>0</sub> B <sub>0</sub>	Set Column Address	<p>Setup column start and end address</p> <p>A[6:0] : Column start address, range : 0-127d, (RESET=0d)</p>

### 3. Addressing Setting Command Table

D/C#	Hex	D7	D6	D5	D4	D3	D2	D1	D0	Command	Description
											B[6:0]: Column end address, range : 0-127d, (RESET =127d) <b>Note</b> (1) This command is only for horizontal or vertical addressing mode.
0 0 0	22 A[2:0] B[2:0]	0 * *	0 * *	1 * *	0 * *	0 * *	0 A <sub>2</sub> B <sub>2</sub>	1 A <sub>1</sub> B <sub>1</sub>	0 A <sub>0</sub> B <sub>0</sub>	Set Page Address	Setup page start and end address A[2:0] : Page start Address, range : 0-7d, (RESET = 0d) B[2:0] : Page end Address, range : 0-7d, (RESET = 7d) <b>Note</b> (1) This command is only for horizontal or vertical addressing mode.
0	B0~B7	1	0	1	1	0	X <sub>2</sub>	X <sub>1</sub>	X <sub>0</sub>	Set Page Start Address for Page Addressing Mode	Set GDDRAM Page Start Address (PAGE0~PAGE7) for Page Addressing Mode using X[2:0]. <b>Note</b> (1) This command is only for page addressing mode.

### 4. Hardware Configuration (Panel resolution & layout related) Command Table

D/C#	Hex	D7	D6	D5	D4	D3	D2	D1	D0	Command	Description
0	40~7F	0	1	X <sub>5</sub>	X <sub>4</sub>	X <sub>3</sub>	X <sub>2</sub>	X <sub>1</sub>	X <sub>0</sub>	Set Display Start Line	Set display RAM display start line register from 0-63 using X <sub>5</sub> X <sub>3</sub> X <sub>2</sub> X <sub>1</sub> X <sub>0</sub> . Display start line register is reset to 000000b during RESET.
0	A0/A1	1	0	1	0	0	0	0	X <sub>0</sub>	Set Segment Re-map	A0h, X[0]=0b: column address 0 is mapped to SEG0 (RESET) A1h, X[0]=1b: column address 127 is mapped to SEG0
0 0	A8 A[5:0]	1 *	0 *	1 A <sub>5</sub>	0 A <sub>4</sub>	1 A <sub>3</sub>	0 A <sub>2</sub>	0 A <sub>1</sub>	0 A <sub>0</sub>	Set Multiplex Ratio	Set MUX ratio to N+1 MUX N=A[5:0] : from 16MUX to 64MUX, RESET=111111b (i.e. 63d, 64MUX) A[5:0] from 0 to 14 are invalid entry.
0	C0/C8	1	1	0	0	X <sub>3</sub>	0	0	0	Set COM Output Scan Direction	C0h, X[3]=0b: normal mode (RESET) Scan from COM0 to COM[N-1] C8h, X[3]=1b: remapped mode. Scan from COM[N-1] to COM0 Where N is the Multiplex ratio.



4. Hardware Configuration (Panel resolution & layout related) Command Table											
D/C#	Hex	D7	D6	D5	D4	D3	D2	D1	D0	Command	Description
00	D3 A[5:0]	1 *	1 *	0 A <sub>5</sub>	1 A <sub>4</sub>	0 A <sub>3</sub>	0 A <sub>2</sub>	1 A <sub>1</sub>	1 A <sub>0</sub>	Set Display Offset	Set vertical shift by COM from 0d~63d The value is reset to 00h after RESET.
00	DA A[5:4]	1 0	1 0	0 A <sub>5</sub>	1 A <sub>4</sub>	1 0	0 0	1 1	0 0	Set COM Pins Hardware Configuration	A[4]=0b, Sequential COM pin configuration A[4]=1b(RESET), Alternative COM pin configuration  A[5]=0b(RESET), Disable COM Left/Right remap A[5]=1b, Enable COM Left/Right remap

5. Timing & Driving Scheme Setting Command Table																										
D/C#	Hex	D7	D6	D5	D4	D3	D2	D1	D0	Command	Description															
00	D5 A[7:0]	1 A <sub>7</sub>	1 A <sub>6</sub>	0 A <sub>5</sub>	1 A <sub>4</sub>	0 A <sub>3</sub>	1 A <sub>2</sub>	0 A <sub>1</sub>	1 A <sub>0</sub>	Set Display Clock Divide Ratio/Oscillator Frequency	A[3:0] : Define the divide ratio (D) of the display clocks (DCLK): Divide ratio= A[3:0] + 1, RESET is 0000b (divide ratio = 1) A[7:4] : Set the Oscillator Frequency, F <sub>osc</sub> . Oscillator Frequency increases with the value of A[7:4] and vice versa. RESET is 1000b Range:0000b~1111b. Frequency increases as setting value increases.															
00	D9 A[7:0]	1 A <sub>7</sub>	1 A <sub>6</sub>	0 A <sub>5</sub>	1 A <sub>4</sub>	1 A <sub>3</sub>	0 A <sub>2</sub>	0 A <sub>1</sub>	1 A <sub>0</sub>	Set Pre-charge Period	A[3:0] : Phase 1 period of up to 15 DCLK clocks 0 is invalid entry (RESET=2h) A[7:4] : Phase 2 period of up to 15 DCLK clocks 0 is invalid entry (RESET=2h)															
00	DB A[5:4]	1 0	1 0	0 A <sub>5</sub>	1 A <sub>4</sub>	1 0	0 0	1 0	1 0	Set V <sub>COMH</sub> Deselect Level	<table border="1"> <thead> <tr> <th>A[5:4]</th> <th>Hex code</th> <th>V<sub>COMH</sub> deselect level</th> </tr> </thead> <tbody> <tr> <td>00b</td> <td>00h</td> <td>~ 0.65 x V<sub>CC</sub></td> </tr> <tr> <td>01b</td> <td>10h</td> <td>~ 0.71 x V<sub>CC</sub></td> </tr> <tr> <td>10b</td> <td>20h</td> <td>~ 0.77 x V<sub>CC</sub> (RESET)</td> </tr> <tr> <td>11b</td> <td>30h</td> <td>~ 0.83 x V<sub>CC</sub></td> </tr> </tbody> </table>	A[5:4]	Hex code	V <sub>COMH</sub> deselect level	00b	00h	~ 0.65 x V <sub>CC</sub>	01b	10h	~ 0.71 x V <sub>CC</sub>	10b	20h	~ 0.77 x V <sub>CC</sub> (RESET)	11b	30h	~ 0.83 x V <sub>CC</sub>
A[5:4]	Hex code	V <sub>COMH</sub> deselect level																								
00b	00h	~ 0.65 x V <sub>CC</sub>																								
01b	10h	~ 0.71 x V <sub>CC</sub>																								
10b	20h	~ 0.77 x V <sub>CC</sub> (RESET)																								
11b	30h	~ 0.83 x V <sub>CC</sub>																								

6. Advance Graphic Command Table											
D/C#	Hex	D7	D6	D5	D4	D3	D2	D1	D0	Command	Description
0	23	0	0	1	0	0	0	1	1	Set Fade	A[5:4] = 00b Disable Fade Out / Blinking Mode[RESET]

### 6. Advance Graphic Command Table

D/C#	Hex	D7	D6	D5	D4	D3	D2	D1	D0	Command	Description												
0	A[6:0]	*	*	A5	A4	A3	A2	A1	A0	Out and Blinking	<p>A[5:4] = 10b Enable Fade Out mode. Once Fade Mode is enabled, contrast decrease gradually to all pixels OFF. Output follows RAM content when Fade mode is disabled.</p> <p>A[5:4] = 11b Enable Blinking mode. Once Blinking Mode is enabled, contrast decrease gradually to all pixels OFF and then contrast increase gradually to normal display. This process loop continuously until the Blinking mode is disabled.</p> <p>A[3:0] : Set time interval for each fade step</p> <table border="1"> <thead> <tr> <th>A[3:0]</th> <th>Time interval for each fade step</th> </tr> </thead> <tbody> <tr> <td>0000b</td> <td>8 Frames</td> </tr> <tr> <td>0001b</td> <td>16 Frames</td> </tr> <tr> <td>0010b</td> <td>24 Frames</td> </tr> <tr> <td>:</td> <td>:</td> </tr> <tr> <td>1111b</td> <td>128 Frames</td> </tr> </tbody> </table> <p>(1) Note</p> <p>Refer to section 9.3.1 for details.</p>	A[3:0]	Time interval for each fade step	0000b	8 Frames	0001b	16 Frames	0010b	24 Frames	:	:	1111b	128 Frames
A[3:0]	Time interval for each fade step																						
0000b	8 Frames																						
0001b	16 Frames																						
0010b	24 Frames																						
:	:																						
1111b	128 Frames																						
0	D6	1	1	0	1	0	1	1	0	Set Zoom In	A[0] = 0b Disable Zoom in Mode[RESET]												
0	A[0]	0	0	0	0	0	0	0	A0		A[0] = 1b Enable Zoom in Mode												
<p>Note</p> <p>(1) The panel must be in alternative COM pin configuration (command DAh A[4] =1)</p> <p>(2) Refer to section 9.3.2 for details.</p>																							

### 7. Charge Pump Command Table

D/C#	Hex	D7	D6	D5	D4	D3	D2	D1	D0	Command	Description																			
0	8D	1	0	0	0	1	1	0	1	Charge Pump Setting	Enable / Disable internal charge pump:																			
0	A[7:0]	A7	*	0	1	0	A2	0	A0		<p>A[2] = 0b, Disable charge pump (RESET)</p> <p>A[2] = 1b, Enable charge pump during display on</p> <table border="1"> <thead> <tr> <th>A[7]</th> <th>A[0]</th> <th>Hex code</th> <th>Charge Pump Mode</th> </tr> </thead> <tbody> <tr> <td>0b</td> <td>0b</td> <td>14h</td> <td>7.5V (RESET)</td> </tr> <tr> <td>0b</td> <td>1b</td> <td>15h</td> <td>6.0V</td> </tr> <tr> <td>1b</td> <td>0b</td> <td>94h</td> <td>8.5V</td> </tr> <tr> <td>1b</td> <td>1b</td> <td>95h</td> <td>9.0V</td> </tr> </tbody> </table> <p>Note</p> <p>(1) The Charge Pump must be enabled by the following command sequence: 8Dh ; Charge Pump Setting 14h / 15h / 94h / 95h ; Enable Charge Pump AFh; Display ON</p>	A[7]	A[0]	Hex code	Charge Pump Mode	0b	0b	14h	7.5V (RESET)	0b	1b	15h	6.0V	1b	0b	94h	8.5V	1b	1b	95h
A[7]	A[0]	Hex code	Charge Pump Mode																											
0b	0b	14h	7.5V (RESET)																											
0b	1b	15h	6.0V																											
1b	0b	94h	8.5V																											
1b	1b	95h	9.0V																											

#### Note

(1) "\*" stands for "Don't care".

**Table 8-2 : Read Command Table**

Bit Pattern	Command	Description
D <sub>7</sub> D <sub>6</sub> D <sub>5</sub> D <sub>4</sub> D <sub>3</sub> D <sub>2</sub> D <sub>1</sub> D <sub>0</sub>	Status Register Read	D[7] : Reserved D[6] : “1” for display OFF / “0” for display ON D[5] : Reserved D[4] : Reserved D[3] : Reserved D[2] : Reserved D[1] : Reserved D[0] : Reserved

**Note**

<sup>(1)</sup> Patterns other than those given in the Command Table are prohibited to enter the chip as a command; as unexpected results can occur.

**8.1 Data Read / Write**

To read data from the GDDRAM, select HIGH for both the R/W# (WR#) pin and the D/C# pin for 6800-series parallel mode and select LOW for the E (RD#) pin and HIGH for the D/C# pin for 8080-series parallel mode. No data read is provided in serial mode operation.

In normal data read mode the GDDRAM column address pointer will be increased automatically by one after each data read.

Also, a dummy read is required before the first data read.

To write data to the GDDRAM, select LOW for the R/W# (WR#) pin and HIGH for the D/C# pin for both 6800-series parallel mode and 8080-series parallel mode. The serial interface mode is always in write mode. The GDDRAM column address pointer will be increased automatically by one after each data write.

**Table 8-3 : Address increment table (Automatic)**

D/C#	R/W# (WR#)	Comment	Address Increment
0	0	Write Command	No
0	1	Read Status	No
1	0	Write Data	Yes
1	1	Read Data	Yes

## 9 COMMAND DESCRIPTIONS

### 9.1 Fundamental Command

#### 9.1.1 Set Lower Column Start Address for Page Addressing Mode (00h~0Fh)

This command specifies the lower nibble of the 8-bit column start address for the display data RAM under Page Addressing Mode. The column address will be incremented by each data access. Please refer to Section Table 8-1 and Section 9.1.3 for details.

#### 9.1.2 Set Higher Column Start Address for Page Addressing Mode (10h~1Fh)

This command specifies the higher nibble of the 8-bit column start address for the display data RAM under Page Addressing Mode. The column address will be incremented by each data access. Please refer to Section Table 8-1 and Section 9.1.3 for details.

#### 9.1.3 Set Memory Addressing Mode (20h)

There are 3 different memory addressing mode in SSD1306B: page addressing mode, horizontal addressing mode and vertical addressing mode. This command sets the way of memory addressing into one of the above three modes. In there, "COL" means the graphic display data RAM column.

##### Page addressing mode (A[1:0]=10xb)

In page addressing mode, after the display RAM is read/written, the column address pointer is increased automatically by 1. If the column address pointer reaches column end address, the column address pointer is reset to column start address and page address pointer is not changed. Users have to set the new page and column addresses in order to access the next page RAM content. The sequence of movement of the PAGE and column address point for page addressing mode is shown in Figure 9-1.

Figure 9-1 : Address Pointer Movement of Page addressing mode

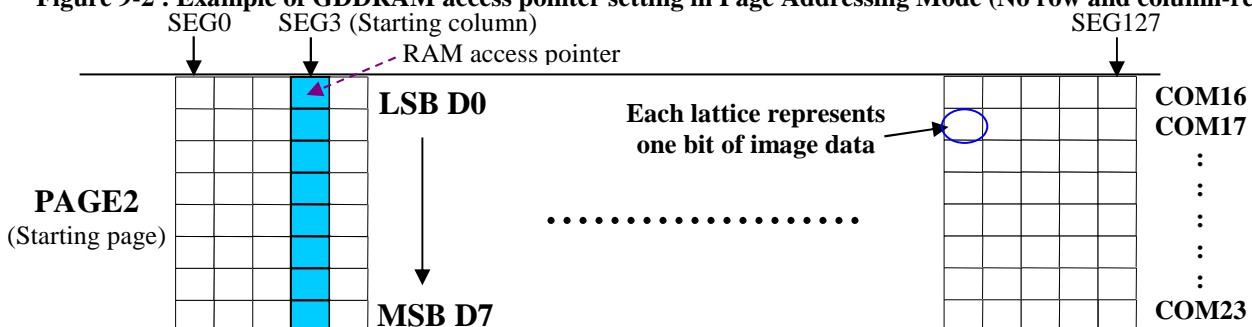
	COL0	COL 1	.....	COL 126	COL 127
PAGE0	→				
PAGE1	→				
:	:	:	:	:	:
PAGE6	→				
PAGE7	→				

In normal display data RAM read or write and page addressing mode, the following steps are required to define the starting RAM access pointer location:

- Set the page start address of the target display location by command B0h to B7h.
- Set the lower start column address of pointer by command 00h~0Fh.
- Set the upper start column address of pointer by command 10h~1Fh.

For example, if the page address is set to B2h, lower column address is 03h and upper column address is 10h, then that means the starting column is SEG3 of PAGE2. The RAM access pointer is located as shown in Figure 9-2. The input data byte will be written into RAM position of column 3.

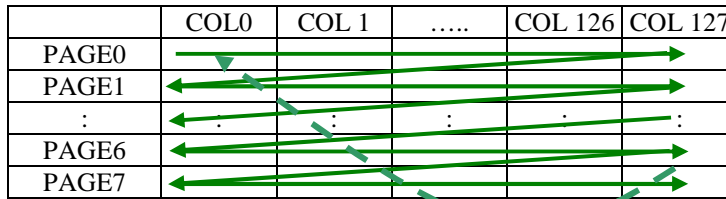
Figure 9-2 : Example of GDDRAM access pointer setting in Page Addressing Mode (No row and column-remapping)



Horizontal addressing mode (A[1:0]=00b)

In horizontal addressing mode, after the display RAM is read/written, the column address pointer is increased automatically by 1. If the column address pointer reaches column end address, the column address pointer is reset to column start address and page address pointer is increased by 1. The sequence of movement of the page and column address pointer for horizontal addressing mode is shown in Figure 9-3. When both column and page address pointers reach the end address, the pointers are reset to column start address and page start address (Dotted line in Figure 9-3.)

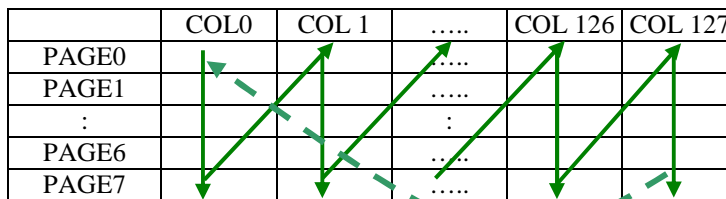
**Figure 9-3 : Address Pointer Movement of Horizontal addressing mode**



Vertical addressing mode: (A[1:0]=01b)

In vertical addressing mode, after the display RAM is read/written, the page address pointer is increased automatically by 1. If the page address pointer reaches the page end address, the page address pointer is reset to page start address and column address pointer is increased by 1. The sequence of movement of the page and column address pointer for vertical addressing mode is shown in Figure 9-4. When both column and page address pointers reach the end address, the pointers are reset to column start address and page start address (Dotted line in Figure 9-4.)

**Figure 9-4 : Address Pointer Movement of Vertical addressing mode**



In normal display data RAM read or write and horizontal / vertical addressing mode, the following steps are required to define the RAM access pointer location:

- Set the column start and end address of the target display location by command 21h.
- Set the page start and end address of the target display location by command 22h.

Example is shown in Figure 9-5.

**9.1.4 Set Column Address (21h)**

This triple byte command specifies column start address and end address of the display data RAM. This command also sets the column address pointer to column start address. This pointer is used to define the current read/write column address in graphic display data RAM. If horizontal address increment mode is enabled by command 20h, after finishing read/write one column data, it is incremented automatically to the next column address. Whenever the column address pointer finishes accessing the end column address, it is reset back to start column address and the row address is incremented to the next row.

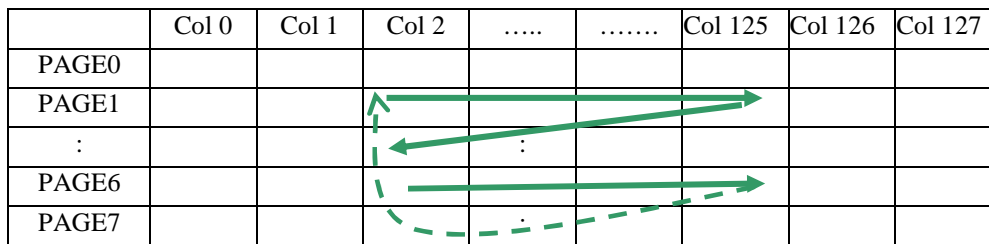
**9.1.5 Set Page Address (22h)**

This triple byte command specifies page start address and end address of the display data RAM. This command also sets the page address pointer to page start address. This pointer is used to define the current read/write page address in

graphic display data RAM. If vertical address increment mode is enabled by command 20h, after finishing read/write one page data, it is incremented automatically to the next page address. Whenever the page address pointer finishes accessing the end page address, it is reset back to start page address.

The figure below shows the way of column and page address pointer movement through the example: column start address is set to 2 and column end address is set to 125, page start address is set to 1 and page end address is set to 6; Horizontal address increment mode is enabled by command 20h. In this case, the graphic display data RAM column accessible range is from column 2 to column 125 and from page 1 to page 6 only. In addition, the column address pointer is set to 2 and page address pointer is set to 1. After finishing read/write one pixel of data, the column address is increased automatically by 1 to access the next RAM location for next read/write operation (*solid line in Figure 9-5*). Whenever the column address pointer finishes accessing the end column 125, it is reset back to column 2 and page address is automatically increased by 1 (*solid line in Figure 9-5*). While the end page 6 and end column 125 RAM location is accessed, the page address is reset back to 1 and the column address is reset back to 2 (*dotted line in Figure 9-5*). .

**Figure 9-5 : Example of Column and Row Address Pointer Movement**



**9.1.6 Set Display Start Line (40h~7Fh)**

This command sets the Display Start Line register to determine starting address of display RAM, by selecting a value from 0 to 63. With value equal to 0, RAM row 0 is mapped to COM0. With value equal to 1, RAM row 1 is mapped to COM0 and so on.

Refer to Table 9-1 for more illustrations.

**9.1.7 Set Contrast Control for BANK0 (81h)**

This command sets the Contrast Setting of the display with a valid range from 01h to FFh. The segment output current increases as the contrast step value increases.

**9.1.8 Set Segment Re-map (A0h/A1h)**

This command changes the mapping between the display data column address and the segment driver. It allows flexibility in OLED module design. Please refer to Table 8-1.

This command only affects subsequent data input. Data already stored in GDDRAM will have no changes.

**9.1.9 Entire Display ON (A4h/A5h)**

A4h command enable display outputs according to the GDDRAM contents.  
 If A5h command is issued, then by using A4h command, the display will resume to the GDDRAM contents.  
 In other words, A4h command resumes the display from entire display “ON” stage.  
 A5h command forces the entire display to be “ON”, regardless of the contents of the display data RAM.

**9.1.10 Set Normal/Inverse Display (A6h/A7h)**

This command sets the display to be either normal or inverse. In normal display a RAM data of 1 indicates an “ON” pixel while in inverse display a RAM data of 0 indicates an “ON” pixel.

### 9.1.11 Set Multiplex Ratio (A8h)

This command switches the default 63 multiplex mode to any multiplex ratio, ranging from 16 to 63. The output pads COM0~COM63 will be switched to the corresponding COM signal.

### 9.1.12 External or internal I<sub>REF</sub> Selection (ADh)

This command selects the external I<sub>REF</sub> or internal I<sub>REF</sub> and to define the value of internal I<sub>REF</sub> setting. Refer to Section 7.8 for details.

### 9.1.13 Set Display ON/OFF (AEh/AFh)

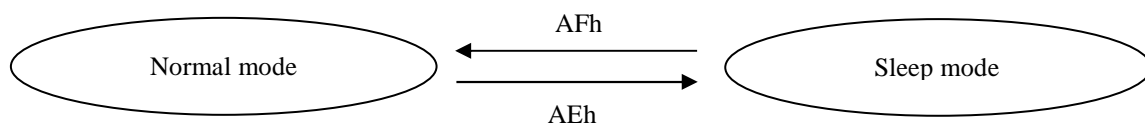
These single byte commands are used to turn the OLED panel display ON or OFF.

When the display is ON, the selected circuits by Set Master Configuration command will be turned ON.

When the display is OFF, those circuits will be turned OFF and the segment and common output are in V<sub>SS</sub> state and high impedance state, respectively. These commands set the display to one of the two states:

- AEh : Display OFF
- AFh : Display ON

Figure 9-6 : Transition between different modes



### 9.1.14 Set Page Start Address for Page Addressing Mode (B0h~B7h)

This command positions the page start address from 0 to 7 in GDDRAM under Page Addressing Mode. Please refer to Table 8-1 and Section 9.1.3 for details.

### 9.1.15 Set COM Output Scan Direction (C0h/C8h)

This command sets the scan direction of the COM output, allowing layout flexibility in the OLED module design. Additionally, the display will show once this command is issued. For example, if this command is sent during normal display then the graphic display will be vertically flipped immediately. Please refer to Table 9-3 for details.

### 9.1.16 Set Display Offset (D3h)

This is a double byte command. The second command specifies the mapping of the display start line to one of COM0~COM63 (assuming that COM0 is the display start line then the display start line register is equal to 0).

For example, to move the COM16 towards the COM0 direction by 16 lines the 6-bit data in the second byte should be given as 010000b. To move in the opposite direction by 16 lines the 6-bit data should be given by 64 – 16, so the second byte would be 100000b. The following two tables (Table 9-2) show the example of setting the command C0h/C8h and D3h.

**Table 9-1 : Example of Set Display Offset and Display Start Line with no Remap**

Hardware pin name	Output												Set MUX ratio(A8h) COM Normal / Remapped (C0h / C8h) Display offset (D3h) Display start line (40h - 7Fh)
	64		64		64		56		56		56		
	Normal		Normal		Normal		Normal		Normal		Normal		
	0		8		0		0		8		0		
	0		0		8		0		0		8		
COM0	Row0	RAM0	Row8	RAM8	Row0	RAM8	Row0	RAM0	Row8	RAM8	Row0	RAM8	
COM1	Row1	RAM1	Row9	RAM9	Row1	RAM9	Row1	RAM1	Row9	RAM9	Row1	RAM9	
COM2	Row2	RAM2	Row10	RAM10	Row2	RAM10	Row2	RAM2	Row10	RAM10	Row2	RAM10	
COM3	Row3	RAM3	Row11	RAM11	Row3	RAM11	Row3	RAM3	Row11	RAM11	Row3	RAM11	
COM4	Row4	RAM4	Row12	RAM12	Row4	RAM12	Row4	RAM4	Row12	RAM12	Row4	RAM12	
COM5	Row5	RAM5	Row13	RAM13	Row5	RAM13	Row5	RAM5	Row13	RAM13	Row5	RAM13	
COM6	Row6	RAM6	Row14	RAM14	Row6	RAM14	Row6	RAM6	Row14	RAM14	Row6	RAM14	
COM7	Row7	RAM7	Row15	RAM15	Row7	RAM15	Row7	RAM7	Row15	RAM15	Row7	RAM15	
COM8	Row8	RAM8	Row16	RAM16	Row8	RAM16	Row8	RAM8	Row16	RAM16	Row8	RAM16	
COM9	Row9	RAM9	Row17	RAM17	Row9	RAM17	Row9	RAM9	Row17	RAM17	Row9	RAM17	
COM10	Row10	RAM10	Row18	RAM18	Row10	RAM18	Row10	RAM10	Row18	RAM18	Row10	RAM18	
COM11	Row11	RAM11	Row19	RAM19	Row11	RAM19	Row11	RAM11	Row19	RAM19	Row11	RAM19	
COM12	Row12	RAM12	Row20	RAM20	Row12	RAM20	Row12	RAM12	Row20	RAM20	Row12	RAM20	
COM13	Row13	RAM13	Row21	RAM21	Row13	RAM21	Row13	RAM13	Row21	RAM21	Row13	RAM21	
COM14	Row14	RAM14	Row22	RAM22	Row14	RAM22	Row14	RAM14	Row22	RAM22	Row14	RAM22	
COM15	Row15	RAM15	Row23	RAM23	Row15	RAM23	Row15	RAM15	Row23	RAM23	Row15	RAM23	
COM16	Row16	RAM16	Row24	RAM24	Row16	RAM24	Row16	RAM16	Row24	RAM24	Row16	RAM24	
COM17	Row17	RAM17	Row25	RAM25	Row17	RAM25	Row17	RAM17	Row25	RAM25	Row17	RAM25	
COM18	Row18	RAM18	Row26	RAM26	Row18	RAM26	Row18	RAM18	Row26	RAM26	Row18	RAM26	
COM19	Row19	RAM19	Row27	RAM27	Row19	RAM27	Row19	RAM19	Row27	RAM27	Row19	RAM27	
COM20	Row20	RAM20	Row28	RAM28	Row20	RAM28	Row20	RAM20	Row28	RAM28	Row20	RAM28	
COM21	Row21	RAM21	Row29	RAM29	Row21	RAM29	Row21	RAM21	Row29	RAM29	Row21	RAM29	
COM22	Row22	RAM22	Row30	RAM30	Row22	RAM30	Row22	RAM22	Row30	RAM30	Row22	RAM30	
COM23	Row23	RAM23	Row31	RAM31	Row23	RAM31	Row23	RAM23	Row31	RAM31	Row23	RAM31	
COM24	Row24	RAM24	Row32	RAM32	Row24	RAM32	Row24	RAM24	Row32	RAM32	Row24	RAM32	
COM25	Row25	RAM25	Row33	RAM33	Row25	RAM33	Row25	RAM25	Row33	RAM33	Row25	RAM33	
COM26	Row26	RAM26	Row34	RAM34	Row26	RAM34	Row26	RAM26	Row34	RAM34	Row26	RAM34	
COM27	Row27	RAM27	Row35	RAM35	Row27	RAM35	Row27	RAM27	Row35	RAM35	Row27	RAM35	
COM28	Row28	RAM28	Row36	RAM36	Row28	RAM36	Row28	RAM28	Row36	RAM36	Row28	RAM36	
COM29	Row29	RAM29	Row37	RAM37	Row29	RAM37	Row29	RAM29	Row37	RAM37	Row29	RAM37	
COM30	Row30	RAM30	Row38	RAM38	Row30	RAM38	Row30	RAM30	Row38	RAM38	Row30	RAM38	
COM31	Row31	RAM31	Row39	RAM39	Row31	RAM39	Row31	RAM31	Row39	RAM39	Row31	RAM39	
COM32	Row32	RAM32	Row40	RAM40	Row32	RAM40	Row32	RAM32	Row40	RAM40	Row32	RAM40	
COM33	Row33	RAM33	Row41	RAM41	Row33	RAM41	Row33	RAM33	Row41	RAM41	Row33	RAM41	
COM34	Row34	RAM34	Row42	RAM42	Row34	RAM42	Row34	RAM34	Row42	RAM42	Row34	RAM42	
COM35	Row35	RAM35	Row43	RAM43	Row35	RAM43	Row35	RAM35	Row43	RAM43	Row35	RAM43	
COM36	Row36	RAM36	Row44	RAM44	Row36	RAM44	Row36	RAM36	Row44	RAM44	Row36	RAM44	
COM37	Row37	RAM37	Row45	RAM45	Row37	RAM45	Row37	RAM37	Row45	RAM45	Row37	RAM45	
COM38	Row38	RAM38	Row46	RAM46	Row38	RAM46	Row38	RAM38	Row46	RAM46	Row38	RAM46	
COM39	Row39	RAM39	Row47	RAM47	Row39	RAM47	Row39	RAM39	Row47	RAM47	Row39	RAM47	
COM40	Row40	RAM40	Row48	RAM48	Row40	RAM48	Row40	RAM40	Row48	RAM48	Row40	RAM48	
COM41	Row41	RAM41	Row49	RAM49	Row41	RAM49	Row41	RAM41	Row49	RAM49	Row41	RAM49	
COM42	Row42	RAM42	Row50	RAM50	Row42	RAM50	Row42	RAM42	Row50	RAM50	Row42	RAM50	
COM43	Row43	RAM43	Row51	RAM51	Row43	RAM51	Row43	RAM43	Row51	RAM51	Row43	RAM51	
COM44	Row44	RAM44	Row52	RAM52	Row44	RAM52	Row44	RAM44	Row52	RAM52	Row44	RAM52	
COM45	Row45	RAM45	Row53	RAM53	Row45	RAM53	Row45	RAM45	Row53	RAM53	Row45	RAM53	
COM46	Row46	RAM46	Row54	RAM54	Row46	RAM54	Row46	RAM46	Row54	RAM54	Row46	RAM54	
COM47	Row47	RAM47	Row55	RAM55	Row47	RAM55	Row47	RAM47	Row55	RAM55	Row47	RAM55	
COM48	Row48	RAM48	Row56	RAM56	Row48	RAM56	Row48	RAM48	-	-	Row48	RAM56	
COM49	Row49	RAM49	Row57	RAM57	Row49	RAM57	Row49	RAM49	-	-	Row49	RAM57	
COM50	Row50	RAM50	Row58	RAM58	Row50	RAM58	Row50	RAM50	-	-	Row50	RAM58	
COM51	Row51	RAM51	Row59	RAM59	Row51	RAM59	Row51	RAM51	-	-	Row51	RAM59	
COM52	Row52	RAM52	Row60	RAM60	Row52	RAM60	Row52	RAM52	-	-	Row52	RAM60	
COM53	Row53	RAM53	Row61	RAM61	Row53	RAM61	Row53	RAM53	-	-	Row53	RAM61	
COM54	Row54	RAM54	Row62	RAM62	Row54	RAM62	Row54	RAM54	-	-	Row54	RAM62	
COM55	Row55	RAM55	Row63	RAM63	Row55	RAM63	Row55	RAM55	-	-	Row55	RAM63	
COM56	Row56	RAM56	Row0	RAM0	Row56	RAM0	-	-	Row0	RAM0	-	-	
COM57	Row57	RAM57	Row1	RAM1	Row57	RAM1	-	-	Row1	RAM1	-	-	
COM58	Row58	RAM58	Row2	RAM2	Row58	RAM2	-	-	Row2	RAM2	-	-	
COM59	Row59	RAM59	Row3	RAM3	Row59	RAM3	-	-	Row3	RAM3	-	-	
COM60	Row60	RAM60	Row4	RAM4	Row60	RAM4	-	-	Row4	RAM4	-	-	
COM61	Row61	RAM61	Row5	RAM5	Row61	RAM5	-	-	Row5	RAM5	-	-	
COM62	Row62	RAM62	Row6	RAM6	Row62	RAM6	-	-	Row6	RAM6	-	-	
COM63	Row63	RAM63	Row7	RAM7	Row63	RAM7	-	-	Row7	RAM7	-	-	
Display examples	(a)	(b)	(c)	(d)	(e)	(f)							



(a)



(b)



(c)



(d)



(e)



(f)



(RAM)



Table 9-2 :Example of Set Display Offset and Display Start Line with Remap

Hardware pin name	Output												Set MUX ratio(A8h) COM Normal / Remapped (C0h / C8h) Display offset (D3h) Display start line (40h - 7Fh)		
	64		64		64		48		48		48			48	
	Remap		Remap		Remap		Remap		Remap		Remap			Remap	
	0		8		0		0		8		0			8	
	0	8	0	8	0	8	0	8	0	8	0	8	0	16	
COM0	Row63	RAM63	Row7	RAM7	Row63	RAM7	Row47	RAM47	-	-	Row47	RAM65	-	-	
COM1	Row62	RAM62	Row6	RAM6	Row62	RAM6	Row46	RAM46	-	-	Row46	RAM64	-	-	
COM2	Row61	RAM61	Row5	RAM5	Row61	RAM5	Row45	RAM45	-	-	Row45	RAM63	-	-	
COM3	Row60	RAM60	Row4	RAM4	Row60	RAM4	Row44	RAM44	-	-	Row44	RAM62	-	-	
COM4	Row59	RAM59	Row3	RAM3	Row59	RAM3	Row43	RAM43	-	-	Row43	RAM61	-	-	
COM5	Row58	RAM58	Row2	RAM2	Row58	RAM2	Row42	RAM42	-	-	Row42	RAM60	-	-	
COM6	Row57	RAM57	Row1	RAM1	Row57	RAM1	Row41	RAM41	-	-	Row41	RAM59	-	-	
COM7	Row56	RAM56	Row0	RAM0	Row56	RAM0	Row40	RAM40	-	-	Row40	RAM48	-	-	
COM8	Row55	RAM55	Row63	RAM63	Row55	RAM63	Row39	RAM39	Row47	RAM47	Row39	RAM47	Row47	RAM63	
COM9	Row54	RAM54	Row62	RAM62	Row54	RAM62	Row38	RAM38	Row46	RAM46	Row38	RAM46	Row46	RAM62	
COM10	Row53	RAM53	Row61	RAM61	Row53	RAM61	Row37	RAM37	Row45	RAM45	Row37	RAM45	Row45	RAM61	
COM11	Row52	RAM52	Row60	RAM60	Row52	RAM60	Row36	RAM36	Row44	RAM44	Row36	RAM44	Row44	RAM60	
COM12	Row51	RAM51	Row59	RAM59	Row51	RAM59	Row35	RAM35	Row43	RAM43	Row35	RAM43	Row43	RAM59	
COM13	Row50	RAM50	Row58	RAM58	Row50	RAM58	Row34	RAM34	Row42	RAM42	Row34	RAM42	Row42	RAM58	
COM14	Row49	RAM49	Row57	RAM57	Row49	RAM57	Row33	RAM33	Row41	RAM41	Row33	RAM41	Row41	RAM57	
COM15	Row48	RAM48	Row56	RAM56	Row48	RAM56	Row32	RAM32	Row40	RAM40	Row32	RAM40	Row40	RAM56	
COM16	Row47	RAM47	Row55	RAM55	Row47	RAM55	Row31	RAM31	Row39	RAM39	Row31	RAM39	Row39	RAM55	
COM17	Row46	RAM46	Row54	RAM54	Row46	RAM54	Row30	RAM30	Row38	RAM38	Row30	RAM38	Row38	RAM54	
COM18	Row45	RAM45	Row53	RAM53	Row45	RAM53	Row29	RAM29	Row37	RAM37	Row29	RAM37	Row37	RAM53	
COM19	Row44	RAM44	Row52	RAM52	Row44	RAM52	Row28	RAM28	Row36	RAM36	Row28	RAM36	Row28	RAM52	
COM20	Row43	RAM43	Row51	RAM51	Row43	RAM51	Row27	RAM27	Row35	RAM35	Row27	RAM35	Row27	RAM51	
COM21	Row42	RAM42	Row50	RAM50	Row42	RAM50	Row26	RAM26	Row34	RAM34	Row26	RAM34	Row26	RAM50	
COM22	Row41	RAM41	Row49	RAM49	Row41	RAM49	Row25	RAM25	Row33	RAM33	Row25	RAM33	Row25	RAM49	
COM23	Row40	RAM40	Row48	RAM48	Row40	RAM48	Row24	RAM24	Row32	RAM32	Row24	RAM32	Row24	RAM48	
COM24	Row39	RAM39	Row47	RAM47	Row39	RAM47	Row23	RAM23	Row31	RAM31	Row23	RAM31	Row23	RAM47	
COM25	Row38	RAM38	Row46	RAM46	Row38	RAM46	Row22	RAM22	Row30	RAM30	Row22	RAM30	Row22	RAM46	
COM26	Row37	RAM37	Row45	RAM45	Row37	RAM45	Row21	RAM21	Row29	RAM29	Row21	RAM29	Row21	RAM45	
COM27	Row36	RAM36	Row44	RAM44	Row36	RAM44	Row20	RAM20	Row28	RAM28	Row20	RAM28	Row20	RAM44	
COM28	Row35	RAM35	Row43	RAM43	Row35	RAM43	Row19	RAM19	Row27	RAM27	Row19	RAM27	Row19	RAM43	
COM29	Row34	RAM34	Row42	RAM42	Row34	RAM42	Row18	RAM18	Row26	RAM26	Row18	RAM26	Row18	RAM42	
COM30	Row33	RAM33	Row41	RAM41	Row33	RAM41	Row17	RAM17	Row25	RAM25	Row17	RAM25	Row17	RAM41	
COM31	Row32	RAM32	Row40	RAM40	Row32	RAM40	Row16	RAM16	Row24	RAM24	Row16	RAM24	Row16	RAM40	
COM32	Row31	RAM31	Row39	RAM39	Row31	RAM39	Row15	RAM15	Row23	RAM23	Row15	RAM23	Row15	RAM39	
COM33	Row30	RAM30	Row38	RAM38	Row30	RAM38	Row14	RAM14	Row22	RAM22	Row14	RAM22	Row14	RAM38	
COM34	Row29	RAM29	Row37	RAM37	Row29	RAM37	Row13	RAM13	Row21	RAM21	Row13	RAM21	Row13	RAM37	
COM35	Row28	RAM28	Row36	RAM36	Row28	RAM36	Row12	RAM12	Row20	RAM20	Row12	RAM20	Row12	RAM36	
COM36	Row27	RAM27	Row35	RAM35	Row27	RAM35	Row11	RAM11	Row19	RAM19	Row11	RAM19	Row11	RAM35	
COM37	Row26	RAM26	Row34	RAM34	Row26	RAM34	Row10	RAM10	Row18	RAM18	Row10	RAM18	Row10	RAM34	
COM38	Row25	RAM25	Row33	RAM33	Row25	RAM33	Row9	RAM9	Row17	RAM17	Row9	RAM17	Row9	RAM33	
COM39	Row24	RAM24	Row32	RAM32	Row24	RAM32	Row8	RAM8	Row16	RAM16	Row8	RAM16	Row8	RAM32	
COM40	Row23	RAM23	Row31	RAM31	Row23	RAM31	Row7	RAM7	Row15	RAM15	Row7	RAM15	Row7	RAM31	
COM41	Row22	RAM22	Row30	RAM30	Row22	RAM30	Row6	RAM6	Row14	RAM14	Row6	RAM14	Row6	RAM30	
COM42	Row21	RAM21	Row29	RAM29	Row21	RAM29	Row5	RAM5	Row13	RAM13	Row5	RAM13	Row5	RAM29	
COM43	Row20	RAM20	Row28	RAM28	Row20	RAM28	Row4	RAM4	Row12	RAM12	Row4	RAM12	Row4	RAM28	
COM44	Row19	RAM19	Row27	RAM27	Row19	RAM27	Row3	RAM3	Row11	RAM11	Row3	RAM11	Row3	RAM27	
COM45	Row18	RAM18	Row26	RAM26	Row18	RAM26	Row2	RAM2	Row10	RAM10	Row2	RAM10	Row2	RAM26	
COM46	Row17	RAM17	Row25	RAM25	Row17	RAM25	Row1	RAM1	Row9	RAM9	Row1	RAM9	Row1	RAM25	
COM47	Row16	RAM16	Row24	RAM24	Row16	RAM24	Row0	RAM0	Row8	RAM8	Row0	RAM8	Row0	RAM24	
COM48	Row15	RAM15	Row23	RAM23	Row15	RAM23	-	-	Row7	RAM7	-	-	Row7	RAM23	
COM49	Row14	RAM14	Row22	RAM22	Row14	RAM22	-	-	Row6	RAM6	-	-	Row6	RAM22	
COM50	Row13	RAM13	Row21	RAM21	Row13	RAM21	-	-	Row5	RAM5	-	-	Row5	RAM21	
COM51	Row12	RAM12	Row20	RAM20	Row12	RAM20	-	-	Row4	RAM4	-	-	Row4	RAM20	
COM52	Row11	RAM11	Row19	RAM19	Row11	RAM19	-	-	Row3	RAM3	-	-	Row3	RAM19	
COM53	Row10	RAM10	Row18	RAM18	Row10	RAM18	-	-	Row2	RAM2	-	-	Row2	RAM18	
COM54	Row9	RAM9	Row17	RAM17	Row9	RAM17	-	-	Row1	RAM1	-	-	Row1	RAM17	
COM55	Row8	RAM8	Row16	RAM16	Row8	RAM16	-	-	Row0	RAM0	-	-	Row0	RAM16	
COM56	Row7	RAM7	Row15	RAM15	Row7	RAM15	-	-	-	-	-	-	-	-	
COM57	Row6	RAM6	Row14	RAM14	Row6	RAM14	-	-	-	-	-	-	-	-	
COM58	Row5	RAM5	Row13	RAM13	Row5	RAM13	-	-	-	-	-	-	-	-	
COM59	Row4	RAM4	Row12	RAM12	Row4	RAM12	-	-	-	-	-	-	-	-	
COM60	Row3	RAM3	Row11	RAM11	Row3	RAM11	-	-	-	-	-	-	-	-	
COM61	Row2	RAM2	Row10	RAM10	Row2	RAM10	-	-	-	-	-	-	-	-	
COM62	Row1	RAM1	Row9	RAM9	Row1	RAM9	-	-	-	-	-	-	-	-	
COM63	Row0	RAM0	Row8	RAM8	Row0	RAM8	-	-	-	-	-	-	-	-	
Display examples	(a)	(b)	(c)	(d)	(e)	(f)	(g)								



(a)



(b)



(c)



(d)



(e)



(f)



(g)



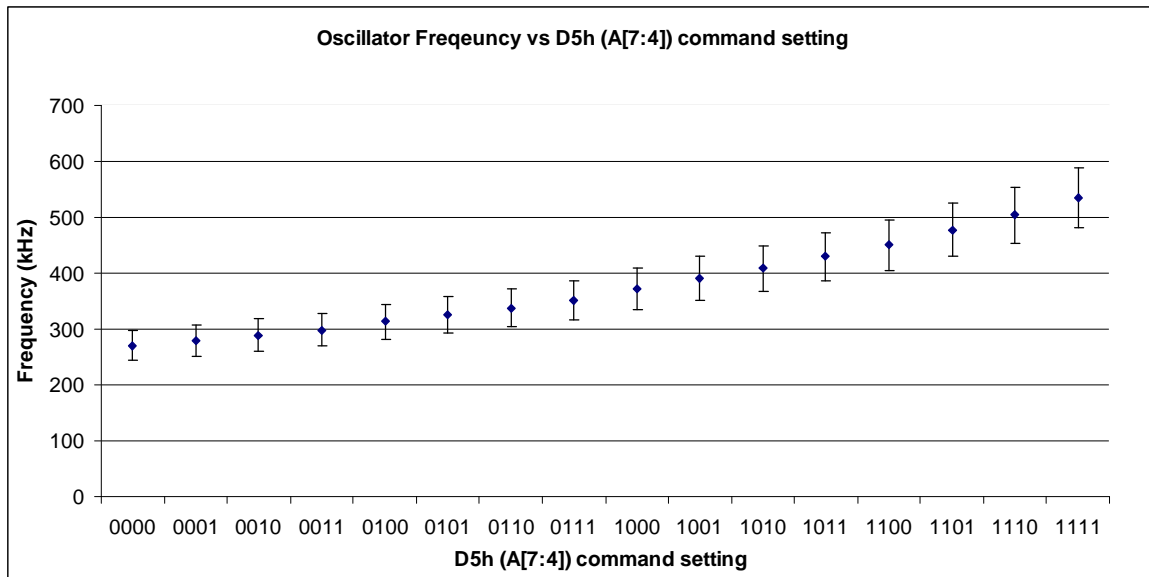
(RAM)

### 9.1.17 Set Display Clock Divide Ratio/ Oscillator Frequency (D5h)

This command consists of two functions:

- Display Clock Divide Ratio (D)(A[3:0])  
Set the divide ratio to generate DCLK (Display Clock) from CLK. The divide ratio is from 1 to 16, with reset value = 1. Please refer to section 7.3 for the details relationship of DCLK and CLK.
- Oscillator Frequency (A[7:4])  
Program the oscillator frequency Fosc that is the source of CLK if CLS pin is pulled high. The 4-bit value results in 16 different frequency settings available as shown below. The default setting is 1000b.

Figure 9-7 : Oscillator frequency setting



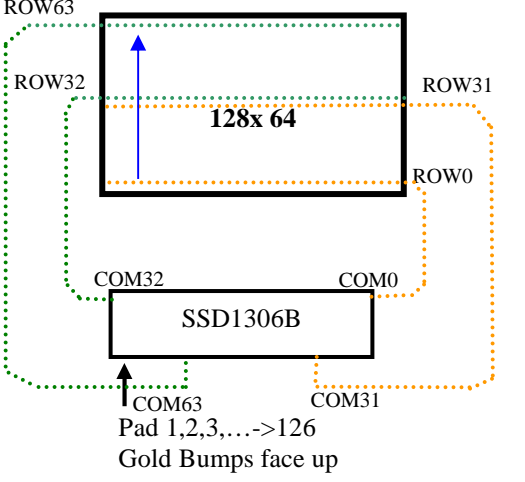
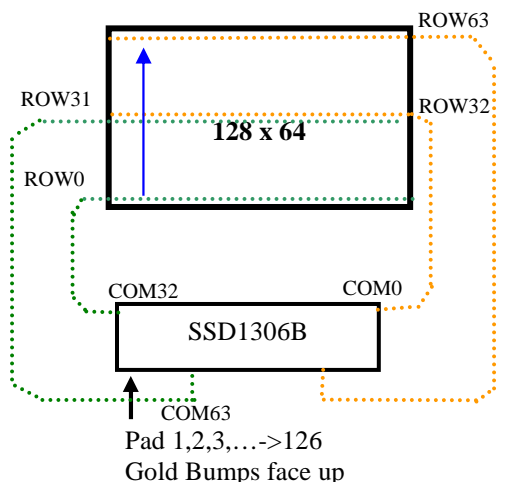
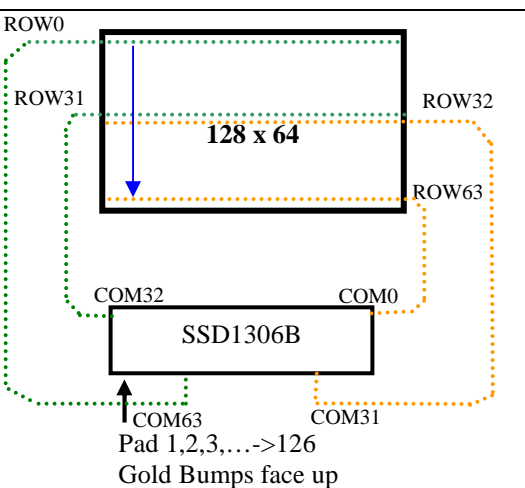
### 9.1.18 Set Pre-charge Period (D9h)

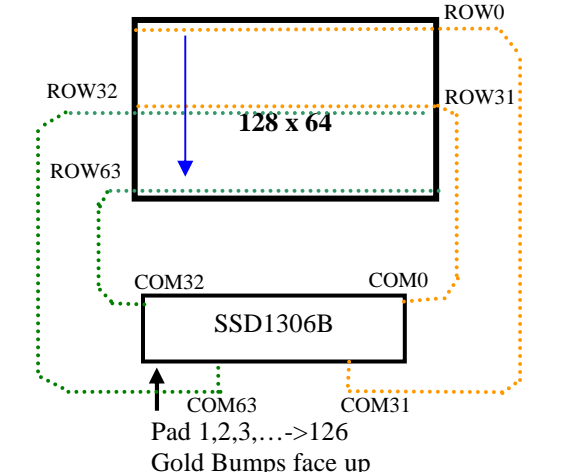
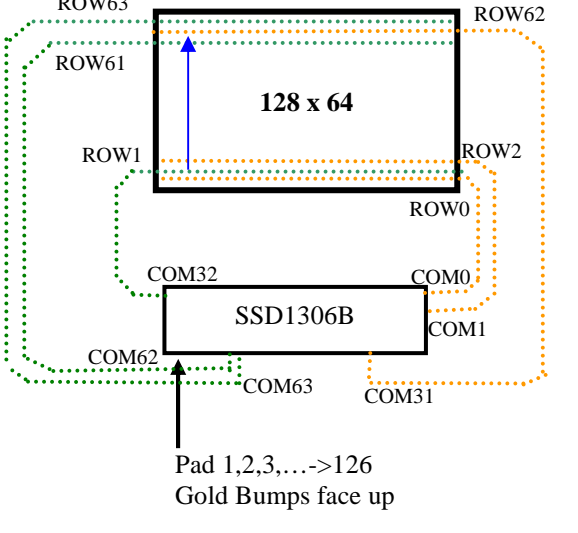
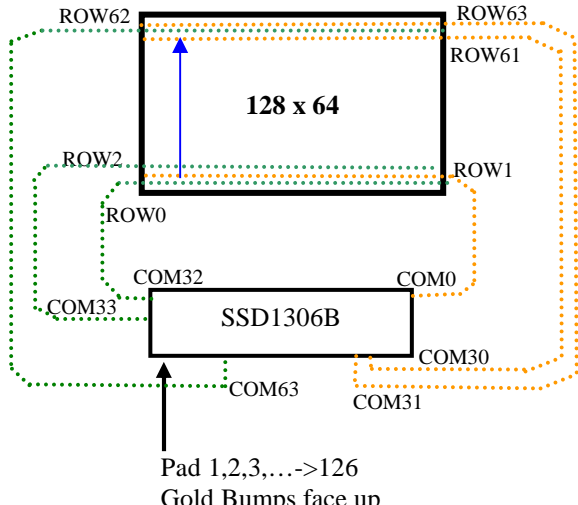
This command is used to set the duration of the pre-charge period. The interval is counted in number of DCLK, where RESET equals 2 DCLKs.

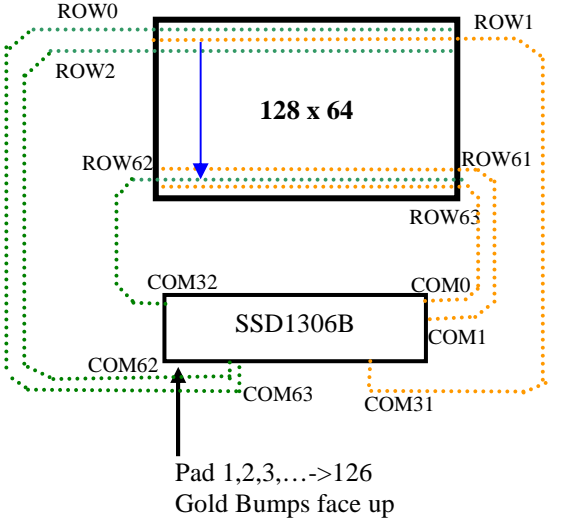
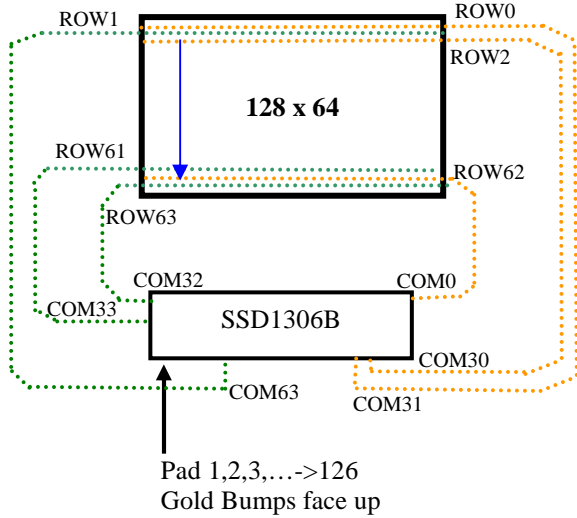
### 9.1.19 Set COM Pins Hardware Configuration (DAh)

This command sets the COM signals pin configuration to match the OLED panel hardware layout. The table below shows the COM pin configuration under different conditions (for MUX ratio =64):

**Table 9-3 : COM Pins Hardware Configuration**

Conditions	COM pins Configurations
1 Sequential COM pin configuration (DAh A[4] =0) COM output Scan direction: from COM0 to COM63 (C0h) Disable COM Left/Right remap (DAh A[5] =0)	 <p>                         ROW63                          ROW32                          ROW31                          ROW0                          128x 64                          COM32                          COM0                          SSD1306B                          COM63                          COM31                          Pad 1,2,3,...-&gt;126                          Gold Bumps face up                     </p>
2 Sequential COM pin configuration (DAh A[4] =0) COM output Scan direction: from COM0 to COM63 (C0h) Enable COM Left/Right remap (DAh A[5] =1)	 <p>                         ROW63                          ROW31                          ROW32                          ROW0                          128 x 64                          COM32                          COM0                          SSD1306B                          COM63                          Pad 1,2,3,...-&gt;126                          Gold Bumps face up                     </p>
3 Sequential COM pin configuration (DAh A[4] =0) COM output Scan direction: from COM63 to COM0 (C8h) Disable COM Left/Right remap (DAh A[5] =0)	 <p>                         ROW0                          ROW31                          ROW32                          ROW63                          128 x 64                          COM32                          COM0                          SSD1306B                          COM63                          COM31                          Pad 1,2,3,...-&gt;126                          Gold Bumps face up                     </p>

Conditions	COM pins Configurations
<p>4 Sequential COM pin configuration (DAh A[4] =0)            COM output Scan direction: from COM63 to COM0 (C8h)            Enable COM Left/Right remap (DAh A[5] =1)</p>	
<p>5 Alternative COM pin configuration (DAh A[4] =1)            COM output Scan direction: from COM0 to COM63 (C0h)            Disable COM Left/Right remap (DAh A[5] =0)</p>	
<p>6 Alternative COM pin configuration (DAh A[4] =1)            COM output Scan direction: from COM0 to COM63 (C0h)            Enable COM Left/Right remap (DAh A[5] =1)</p>	

Conditions	COM pins Configurations
7 Alternative COM pin configuration (DAh A[4] =1) COM output Scan direction: from COM63 to COM0(C8h) Disable COM Left/Right remap (DAh A[5] =0)	
8 Alternative COM pin configuration (DAh A[4] =1) COM output Scan direction: from COM63 to COM0(C8h) Enable COM Left/Right remap (DAh A[5] =1)	

### 9.1.20 Set $V_{COMH}$ Deselect Level (DBh)

This command adjusts the  $V_{COMH}$  regulator output.

### 9.1.21 NOP (E3h)

No Operation Command.

### 9.1.22 Status register Read

This command is issued by setting D/C# ON LOW during a data read (See Figure 12-1 to Figure 12-2 for parallel interface waveform). It allows the MCU to monitor the internal status of the chip. No status read is provided for serial mode.

### 9.1.23 Charge Pump Setting (8Dh)

This command controls the ON/OFF of the Charge Pump. The Charge Pump must be enabled by the following command sequence:

- 8Dh; Charge Pump Setting
- 14h / 15h / 94h / 95h; Enable Charge Pump at different output mode
- AFh; Display ON

## 9.2 Graphic Acceleration Command

### 9.2.1 Horizontal Scroll Setup (26h/27h)

This command consists of 6 consecutive bytes to set up the horizontal scroll parameters and determines the scrolling start page, end page and scrolling speed.

Before issuing this command the horizontal scroll must be deactivated (2Eh). Otherwise, RAM content may be corrupted.

The SSD1306B horizontal scroll is designed for 128 columns scrolling. The following two figures (Figure 9-8, Figure 9-9, Figure 9-10) show the examples of using the horizontal scroll:

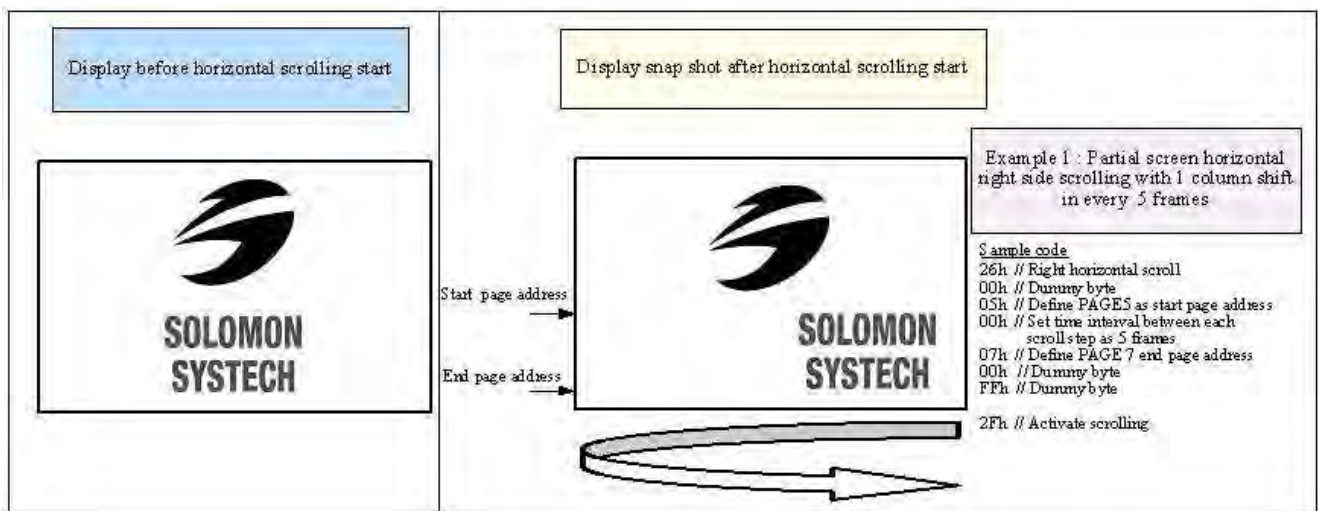
**Figure 9-8 : Horizontal scroll example: Scroll RIGHT by 1 column**

Original Setting	SEG0	SEG1	SEG2	SEG3	SEG4	SEG5	...	...	...	SEG122	SEG123	SEG124	SEG125	SEG126	SEG127
After one scroll step	SEG127	SEG0	SEG1	SEG2	SEG3	SEG4	...	...	...	SEG121	SEG122	SEG123	SEG124	SEG125	SEG126

**Figure 9-9 : Horizontal scroll example: Scroll LEFT by 1 column**

Original Setting	SEG0	SEG1	SEG2	SEG3	SEG4	SEG5	...	...	...	SEG122	SEG123	SEG124	SEG125	SEG126	SEG127
After one scroll step	SEG1	SEG2	SEG3	SEG4	SEG5	SEG6	...	...	...	SEG123	SEG124	SEG125	SEG126	SEG127	SEG0

**Figure 9-10 : Horizontal scrolling setup example**



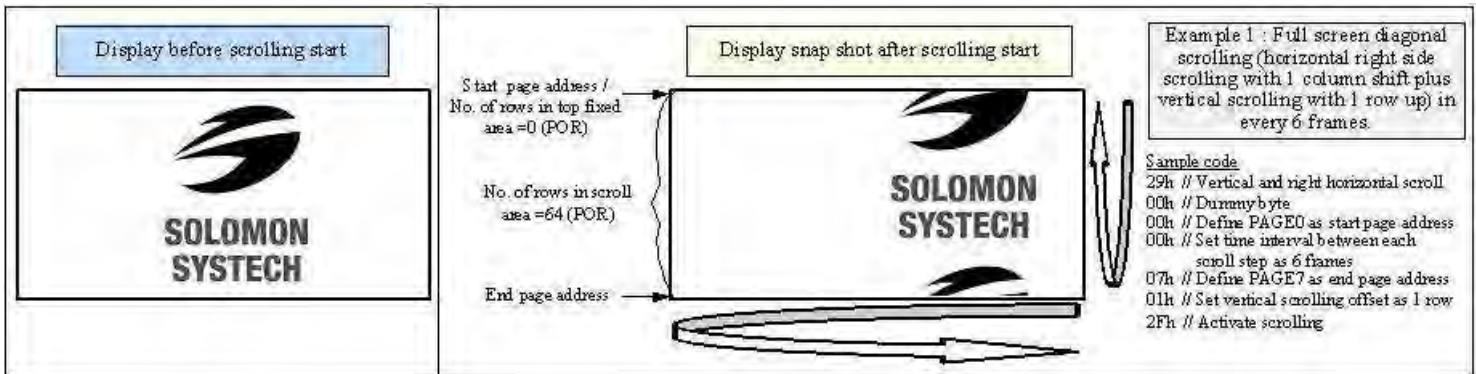
## 9.2.2 Continuous Vertical and Horizontal Scroll Setup (29h/2Ah)

This command consists of 5 consecutive bytes to set up the continuous vertical scroll parameters and determines the scrolling start page, end page, scrolling speed and vertical scrolling offset.

The bytes B[2:0], C[2:0] and D[2:0] of command 29h/2Ah are for the setting of the continuous horizontal scrolling. The byte E[5:0] is for the setting of the continuous vertical scrolling offset. All these bytes together are for the setting of continuous diagonal (horizontal + vertical) scrolling. If the vertical scrolling offset byte E[5:0] is set to zero, then only horizontal scrolling is performed (like command 26/27h).

Before issuing this command the scroll must be deactivated (2Eh). Otherwise, RAM content may be corrupted. The following figure (Figure 9-11) show the example of using the continuous vertical and horizontal scroll:

**Figure 9-11 : Continuous Vertical and Horizontal scrolling setup example**



## 9.2.3 Deactivate Scroll (2Eh)

This command stops the motion of scrolling. After sending 2Eh command to deactivate the scrolling action, the ram data needs to be rewritten.

## 9.2.4 Activate Scroll (2Fh)

This command starts the motion of scrolling and should only be issued after the scroll setup parameters have been defined by the scrolling setup commands :26h/27h/29h/2Ah . The setting in the last scrolling setup command overwrites the setting in the previous scrolling setup commands.

The following actions are prohibited after the scrolling is activated

1. RAM access (Data write or read)
2. Changing the horizontal scroll setup parameters

## 9.2.5 Set Vertical Scroll Area (A3h)

This command consists of 3 consecutive bytes to set up the vertical scroll area. For the continuous vertical scroll function (command 29/2Ah), the number of rows that in vertical scrolling can be set smaller or equal to the MUX ratio.

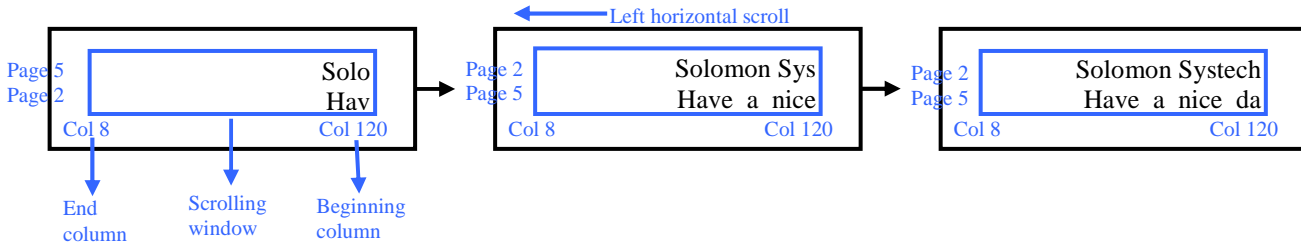
## 9.2.6 Content Scroll Setup (2Ch/2Dh)

This command consists of 7 consecutive bytes to set up the horizontal scroll parameters and determine the scrolling start page, end page, start column and end column. One column will be scrolled horizontally by sending the setting of command 2Ch / 2Dh once.

When command 2Ch / 2Dh are sent consecutively, a delay time of 2 / Frame Frequency must be set. Figure 9-12 shown an example of using 2Dh “Content Scroll Setup” command for horizontal scrolling to left with infinite content update. In there, “Col” means the graphic display data RAM column.



**Figure 9-12: Content Scrolling example (2Dh, Left Horizontal Scroll by one column)**



By using command 2Ch/2Dh, RAM contents are scrolled and updated by one column. Table 9-4 is an example of content scrolling setting of SSD1306B (scrolling window of 4 pages). The values of registers depend on different conditions and applications.

**Table 9-4 : Content Scrolling software flow example (Page addressing mode – command 20h, 02h)**

Step	Action	D/C#	Code	Remarks
1	<b>For i= 1 to n</b>	-	-	Create “For loop” for infinite content scrolling
2	Set Content scrolling command (scrolling window : Page 2 to 5, Col 8 to Col 120)	0	2Dh	Left Horizontal Scroll by one column
		0	00h	A[7:0] : Dummy byte (Set as 00h)
		0	02h	B[2:0] : Define start page address
		0	01h	C[7:0] : Dummy byte (Set as 01h)
		0	05h	D[2:0] : Define end page address
		0	08h	E[6:0] : Define start column address
		0	78h	F[6:0] : Define end column address
3	Add Delay time of $2/FrameFreq$	-	-	E.g. Delay 20ms if frame freq $\approx$ 100Hz
4	Write RAM on the beginning column of the scrolling window Write RAM on (Page2, Col 120) <i>(Content update in beginning column)</i> Write RAM on (Page3, Col 120) <i>(Content update in beginning column)</i> Write RAM on (Page4, Col 120) <i>(Content update in beginning column)</i> Write RAM on (Page5, Col 120) <i>(Content update in beginning column)</i>			
		0	B2h	Set Page Start Address for Page Addressing Mode
		0	17h	Set Higher Column Start Address for Page Addressing Mode
		0	08h	Set Lower Column Start Address for Page Addressing Mode
		1	-	Write data to fill the RAM
		0	B3h	Set Page Start Address for Page Addressing Mode
		0	17h	Set Higher Column Start Address for Page Addressing Mode
		0	08h	Set Lower Column Start Address for Page Addressing Mode
		1	-	Write data to fill the RAM
		0	B4h	Set Page Start Address for Page Addressing Mode
		0	17h	Set Higher Column Start Address for Page Addressing Mode
		0	08h	Set Lower Column Start Address for Page Addressing Mode
		1	-	Write data to fill the RAM
		0	B5h	Set Page Start Address for Page Addressing Mode
		0	17h	Set Higher Column Start Address for Page Addressing Mode
		0	08h	Set Lower Column Start Address for Page Addressing Mode
1	-	Write data to fill the RAM		
5	<b>i=i+1</b>	-	-	Go to next “For loop”
	<b>Delay timing</b>	-	-	Set time interval between each scroll step if necessary
	<b>End</b>			

There are 3 different memory addressing mode in SSD1306B: page addressing mode, horizontal addressing mode and vertical addressing mode and it is selected by command 20h. Table 9-4 is an example of content scrolling software flow under page addressing mode, while vertical addressing mode example is shown in below Table 9-5.



Table 9-5 : Content Scrolling setting example (Vertical addressing mode – command 20h, 01h)

Step	Action	D/C#	Code	Remarks
1	<b>For i= 1 to n</b>	-	-	Create “For loop” for infinite content scrolling
2	Set Content scrolling command (scrolling window : Page 2 to 5, Col 8 to Col 120)	0	2Dh	Left Horizontal Scroll by one column
0		00h	A[6:0] : Dummy byte (Set as 00h)	
0		02h	B[2:0] : Define start page address	
0		01h	C[2:0] : Dummy byte (Set as 01h)	
0		05h	D[2:0] : Define end page address	
0		08h	E[6:0] : Define start column address	
0		78h	F[6:0] : Define end column address	
3	Add Delay time of $2/FrameFreq$	-	-	E.g. Delay 20ms if frame freq $\approx$ 100Hz
4	Write RAM on the beginning column of the scrolling window (Page 2 to 5, Col 120) <i>(Content update in beginning column)</i>	0	21h	Set Column address
0		78h	Set column start address for Vertical Addressing Mode	
0		78h	Set column end address for Vertical Addressing Mode	
0		22h	Set Page address	
0		02h	Set start page address for Vertical Addressing Mode	
0		05h	Set end page address for Vertical Addressing Mode	
1		-	Write data to fill the RAM	
5	<b>i=i+1</b>	-	-	Go to next “For loop”
	<b>Delay timing</b>	-	-	Set time interval between each scroll step if necessary
	<b>End</b>			

### 9.3 Advance Graphic Command

#### 9.3.1 Set Fade Out and Blinking (23h)

This command allows to set the fade mode and to adjust the time interval for each fade step. Below figures show the example of Fade Out mode and Blinking mode.

Figure 9-13 : Example of Fade Out mode

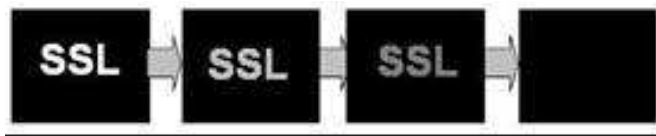


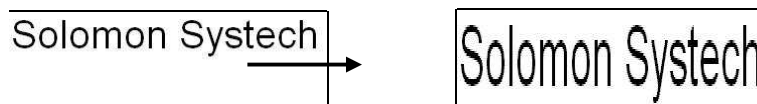
Figure 9-14 : Example of Blinking mode



#### 9.3.2 Set Zoom In (D6h)

Under Zoom in mode, one row of display contents is expanded into two rows on the display. That is, contents of row0~31 fill the whole display panel of 64 rows. It should be notice that the panel must be in alternative COM pin configuration (command DAh A[4] =1) for zoom in function.

Figure 9-15 : Example of Zoom In



## 10 MAXIMUM RATINGS

**Table 10-1 : Maximum Ratings (Voltage Referenced to VSS)**

Symbol	Parameter	Value	Unit
V <sub>DD</sub>	Supply Voltage	-0.3 to +4	V
V <sub>BAT</sub>		-0.3 to +5	V
V <sub>CC</sub>		0 to 16	V
V <sub>SEG</sub>	SEG output voltage	0 to V <sub>CC</sub>	V
V <sub>COM</sub>	COM output voltage	0 to 0.9*V <sub>CC</sub>	V
V <sub>in</sub>	Input voltage	V <sub>SS</sub> -0.3 to V <sub>DD</sub> +0.3	V
T <sub>A</sub>	Operating Temperature	-40 to +85	°C
T <sub>stg</sub>	Storage Temperature Range	-65 to +150	°C

Maximum ratings are those values beyond which damages to the device may occur. Functional operation should be restricted to the limits in the Electrical Characteristics tables or Pin Description section

This device may be light sensitive. Caution should be taken to avoid exposure of this device to any light source during normal operation. This device is not radiation protected.

## 11 DC CHARACTERISTICS

### Condition (Unless otherwise specified):

Voltage referenced to  $V_{SS}$

$V_{DD} = 1.65$  to  $3.3V$

$T_A = 25^\circ C$

**Table 11-1 : DC Characteristics**

Symbol	Parameter	Test Condition	Min	Typ	Max	Unit
$V_{CC}$	Operating Voltage	-	6	-	15	V
$V_{DD}$	Logic Supply Voltage	-	1.65	-	3.3	V
$V_{BAT}$	Charge Pump Regulator Supply Voltage	-	2.2	-	4.2	V
Charge Pump $V_{CC}$	Charge Pump Output Voltage ITO resistance <30ohm for charge pump related pins <sup>(1)</sup>	$V_{BAT} = 2.2V \sim 4.2V$ , 6V mode Maximum output loading = 4mA	5.5	6	-	V
		$V_{BAT} = 3.0V \sim 4.2V$ , 7.5V mode Maximum output loading = 8mA	7	7.5	-	V
		$V_{BAT} = 3.6V \sim 4.2V$ , 8.5V mode Maximum output loading = 12mA	8	8.5	-	V
		$V_{BAT} = 3.8V \sim 4.2V$ , 9V mode Maximum output loading = 12mA	8.5	9	-	V
$V_{OH}$	High Logic Output Level	$I_{OUT} = 100\mu A$ , 3.3MHz	$0.9 \times V_{DD}$	-	-	V
$V_{OL}$	Low Logic Output Level	$I_{OUT} = 100\mu A$ , 3.3MHz	-	-	$0.1 \times V_{DD}$	V
$V_{IH}$	High Logic Input Level	-	$0.8 \times V_{DD}$	-	-	V
$V_{IL}$	Low Logic Input Level	-	-	-	$0.2 \times V_{DD}$	V
$I_{CC, SLEEP}$	$I_{CC}$ , Sleep mode Current	$V_{DD} = 1.65V \sim 3.3V$ , $V_{CC} = 6V \sim 15V$ Display OFF, No panel attached	-	-	10	$\mu A$
$I_{DD, SLEEP}$	$I_{DD}$ , Sleep mode Current	$V_{DD} = 1.65V \sim 3.3V$ , $V_{CC} = 6V \sim 15V$ Display OFF, No panel attached	-	-	10	$\mu A$
$I_{BAT, SLEEP}$	$I_{BAT}$ , Sleep mode Current	$V_{DD} = 1.65V \sim 3.3V$ , $V_{BAT} = 2.2V \sim 4.2V$ Display OFF, No panel attached	-	-	10	$\mu A$
$I_{CC}$	$V_{CC}$ Supply Current $V_{DD} = 2.8V$ , $V_{CC} = 12V$ , $I_{REF} = 30\mu A$ No loading, Display ON, All ON	Contrast = FFh	-	900	1500	$\mu A$
$I_{DD}$	$V_{DD}$ Supply Current $V_{DD} = 2.8V$ , $V_{CC} = 12V$ , $I_{REF} = 30\mu A$ No loading, Display ON, All ON		-	50	150	$\mu A$
$I_{SEG}$	Segment Output Current $V_{DD} = 2.8V$ , $V_{CC} = 12V$ , $I_{REF} = 30\mu A$ , Display ON.	Contrast=FFh	-	240	-	$\mu A$
		Contrast=AFh	-	165	-	
		Contrast=3Fh	-	60	-	
$I_{SEG}$	Segment Output Current $V_{DD} = 2.8V$ , $V_{CC} = 7.5V$ , $I_{REF} = 19\mu A$ , Display ON.	Contrast=FFh	-	150	-	$\mu A$
		Contrast=AFh	-	104	-	$\mu A$
		Contrast=3Fh	-	38	-	$\mu A$
Dev	Segment output current uniformity	$Dev = (I_{SEG} - I_{MID}) / I_{MID}$ $I_{MID} = (I_{MAX} + I_{MIN}) / 2$ $I_{SEG}[0:131] =$ Segment current at contrast = FFh	-3	-	+3	%
Adj. Dev	Adjacent pin output current uniformity (contrast = FF)	$Adj\ Dev = (I[n] - I[n+1]) / (I[n] + I[n+1])$	-2	-	+2	%

Remarks: <sup>(1)</sup> Charge pump related pins include:  $V_{BAT}$ , C1P, C1N, C2P, C2N,  $V_{LSS}$

## 12 AC CHARACTERISTICS

### Conditions:

Voltage referenced to  $V_{SS}$

$V_{DD}=1.65$  to  $3.3V$

$T_A = 25^{\circ}C$

**Table 12-1 : AC Characteristics**

Symbol	Parameter	Test Condition	Min	Typ	Max	Unit
FOSC <sup>(1)</sup>	Oscillation Frequency of Display Timing Generator	$V_{DD} = 2.8V$	333	370	407	kHz
F <sub>FRM</sub>	Frame Frequency for 64 MUX Mode	128x64 Graphic Display Mode, Display ON, Internal Oscillator Enabled	-	$F_{osc} \times 1/(D \times K \times 64)$ <sup>(2)</sup>	-	Hz
RES#	Reset low pulse width		3	-	-	us

### Note

<sup>(1)</sup> Fosc stands for the frequency value of the internal oscillator and the value is measured when command D5h A[7:4] is in default value.

<sup>(2)</sup> D: divide ratio (default value = 1)

K: number of display clocks (default value = 54)

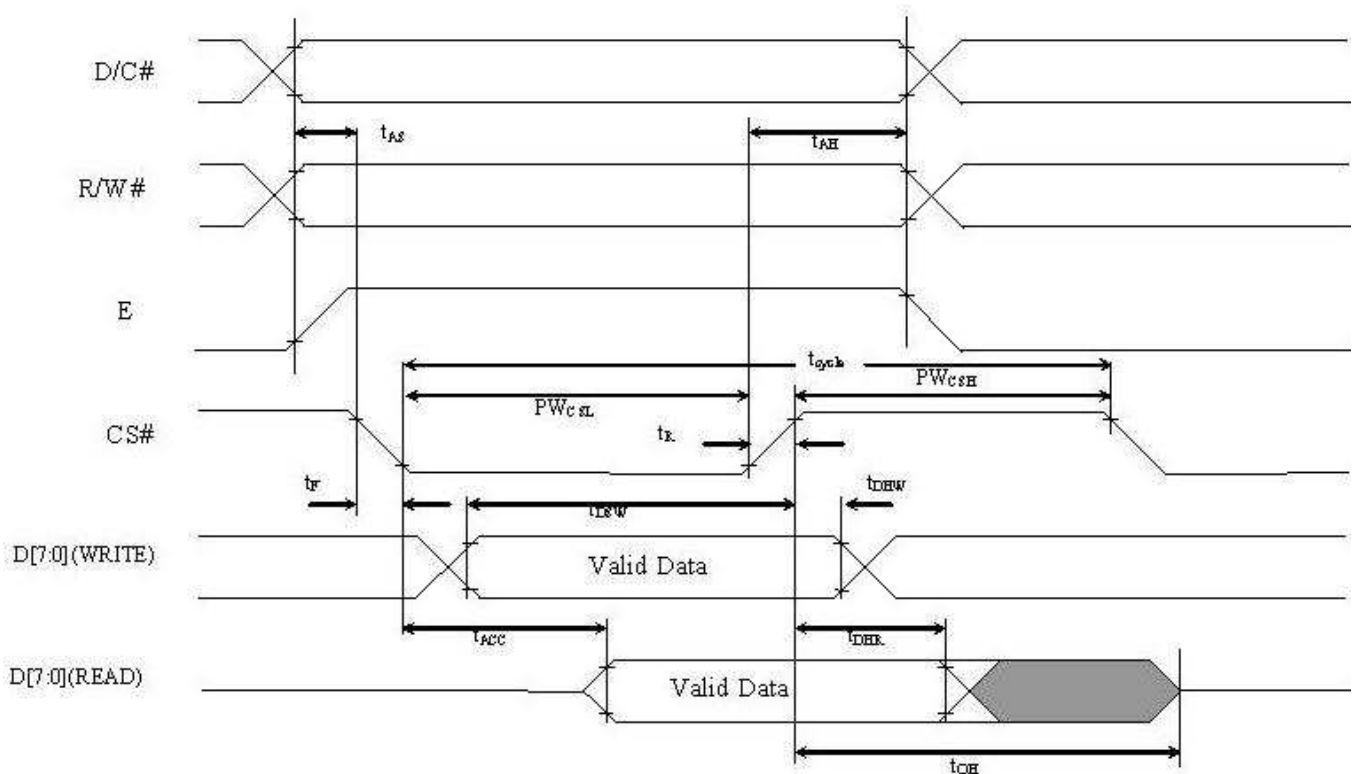
Please refer to Table 8-1 (Set Display Clock Divide Ratio/Oscillator Frequency, D5h) for detailed description

**Table 12-2 : 6800-Series MCU Parallel Interface Timing Characteristics**

( $V_{DD} - V_{SS} = 1.65V$  to  $3.3V$ ,  $T_A = 25^\circ C$ )

Symbol	Parameter	Min	Typ	Max	Unit
$t_{cycle}$	Clock Cycle Time	300	-	-	ns
$t_{AS}$	Address Setup Time	5	-	-	ns
$t_{AH}$	Address Hold Time	0	-	-	ns
$t_{DSW}$	Write Data Setup Time	40	-	-	ns
$t_{DHW}$	Write Data Hold Time	7	-	-	ns
$t_{DHR}$	Read Data Hold Time	20	-	-	ns
$t_{OH}$	Output Disable Time	-	-	70	ns
$t_{ACC}$	Access Time	-	-	140	ns
$PW_{CSL}$	Chip Select Low Pulse Width (read) Chip Select Low Pulse Width (write)	120 60	-	-	ns
$PW_{CSH}$	Chip Select High Pulse Width (read) Chip Select High Pulse Width (write)	60 60	-	-	ns
$t_R$	Rise Time	-	-	40	ns
$t_F$	Fall Time	-	-	40	ns

**Figure 12-1 : 6800-series MCU parallel interface characteristics**

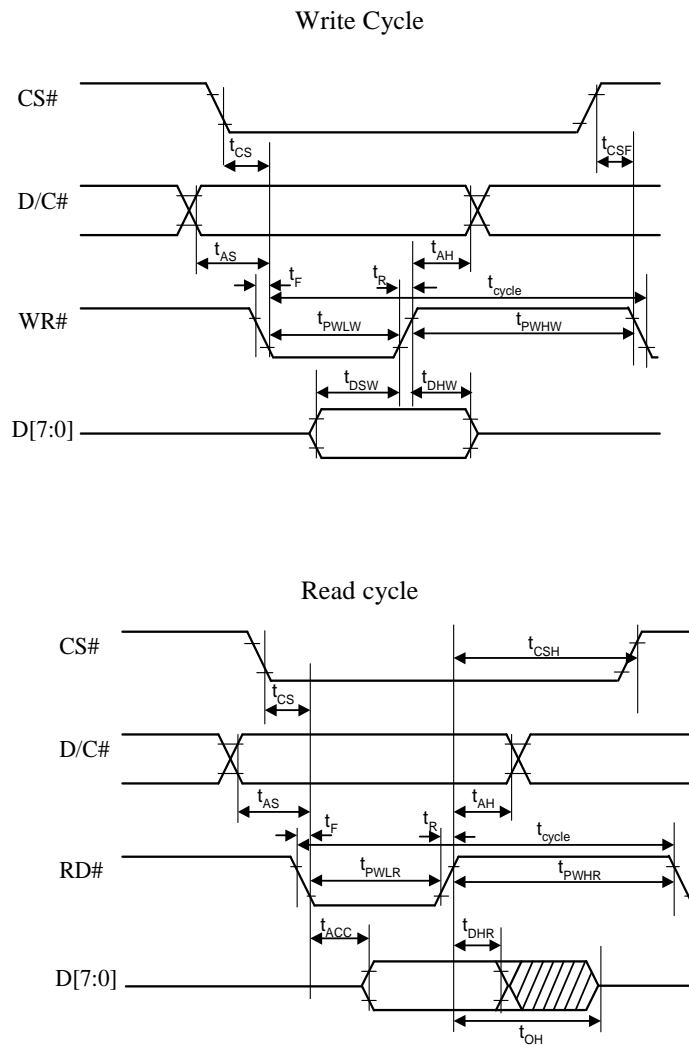


**Table 12-3 : 8080-Series MCU Parallel Interface Timing Characteristics**

( $V_{DD} - V_{SS} = 1.65V$  to  $3.3V$ ,  $T_A = 25^\circ C$ )

Symbol	Parameter	Min	Typ	Max	Unit
$t_{cycle}$	Clock Cycle Time	300	-	-	ns
$t_{AS}$	Address Setup Time	10	-	-	ns
$t_{AH}$	Address Hold Time	0	-	-	ns
$t_{DSW}$	Write Data Setup Time	40	-	-	ns
$t_{DHW}$	Write Data Hold Time	7	-	-	ns
$t_{DHR}$	Read Data Hold Time	20	-	-	ns
$t_{OH}$	Output Disable Time	-	-	70	ns
$t_{ACC}$	Access Time	-	-	140	ns
$t_{PWLR}$	Read Low Time	120	-	-	ns
$t_{PWLW}$	Write Low Time	60	-	-	ns
$t_{PWHR}$	Read High Time	60	-	-	ns
$t_{PWHW}$	Write High Time	60	-	-	ns
$t_R$	Rise Time	-	-	40	ns
$t_F$	Fall Time	-	-	40	ns
$t_{CS}$	Chip select setup time	0	-	-	ns
$t_{CSH}$	Chip select hold time to read signal	0	-	-	ns
$t_{CSF}$	Chip select hold time	20	-	-	ns

**Figure 12-2 : 8080-series parallel interface characteristics**

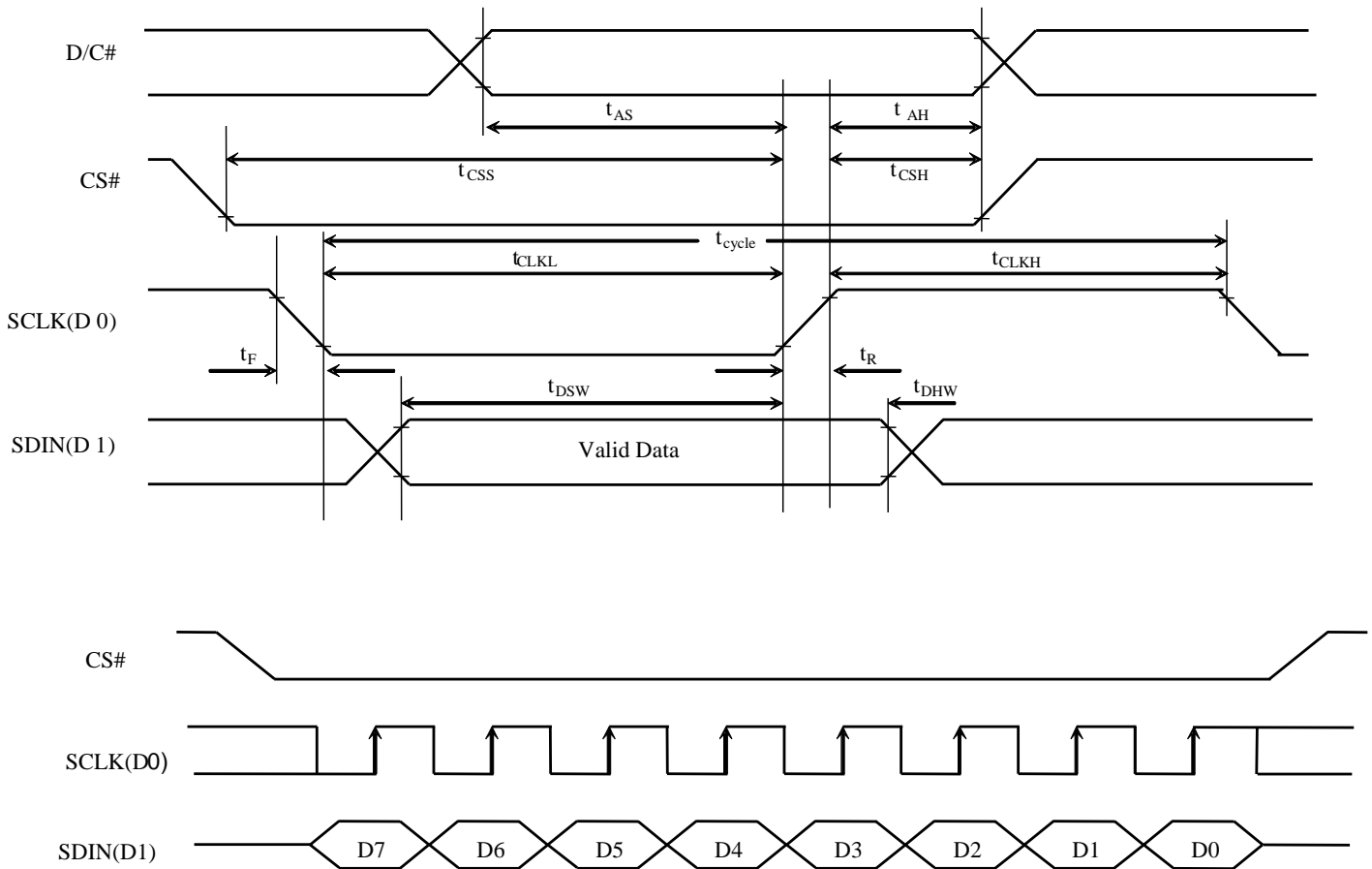


**Table 12-4 : 4-wire Serial Interface Timing Characteristics**

( $V_{DD} - V_{SS} = 1.65V$  to  $3.3V$ ,  $T_A = 25^\circ C$ )

Symbol	Parameter	Min	Typ	Max	Unit
$t_{cycle}$	Clock Cycle Time	100	-	-	ns
$t_{AS}$	Address Setup Time	15	-	-	ns
$t_{AH}$	Address Hold Time	15	-	-	ns
$t_{CSS}$	Chip Select Setup Time	20	-	-	ns
$t_{CSH}$	Chip Select Hold Time	10	-	-	ns
$t_{DSW}$	Write Data Setup Time	15	-	-	ns
$t_{DHW}$	Write Data Hold Time	15	-	-	ns
$t_{CLKL}$	Clock Low Time	20	-	-	ns
$t_{CLKH}$	Clock High Time	20	-	-	ns
$t_R$	Rise Time	-	-	40	ns
$t_F$	Fall Time	-	-	40	ns

**Figure 12-3 : 4-wire Serial interface characteristics**



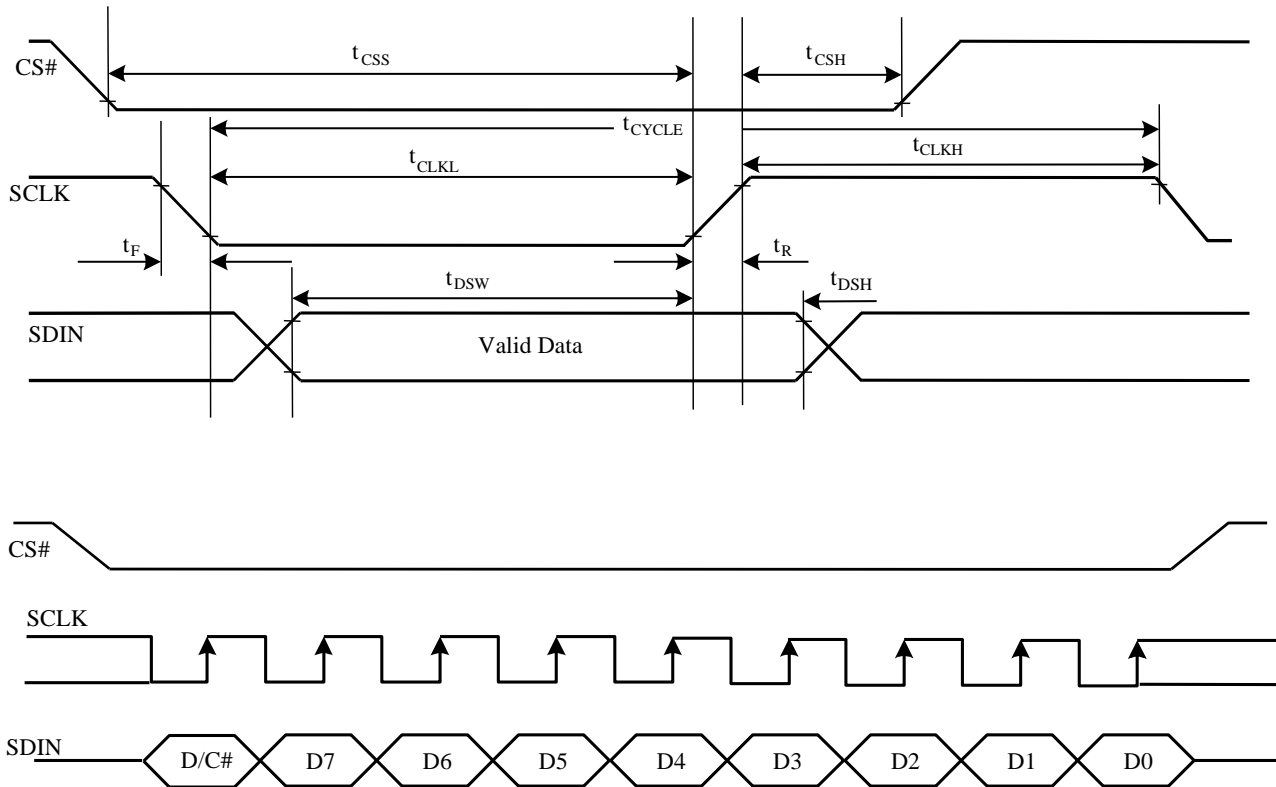


**Table 12-5 : 3-wire Serial Interface Timing Characteristics**

( $V_{DD} - V_{SS} = 1.65V$  to  $3.3V$ ,  $T_A = 25^\circ C$ )

Symbol	Parameter	Min	Typ	Max	Unit
$t_{cycle}$	Clock Cycle Time	100	-	-	ns
$t_{CSS}$	Chip Select Setup Time	20	-	-	ns
$t_{CSH}$	Chip Select Hold Time	10	-	-	ns
$t_{DSW}$	Write Data Setup Time	15	-	-	ns
$t_{DHW}$	Write Data Hold Time	15	-	-	ns
$t_{CLKL}$	Clock Low Time	20	-	-	ns
$t_{CLKH}$	Clock High Time	20	-	-	ns
$t_R$	Rise Time	-	-	40	ns
$t_F$	Fall Time	-	-	40	ns

**Figure 12-4 : 3-wire Serial interface characteristics**



**Conditions:**

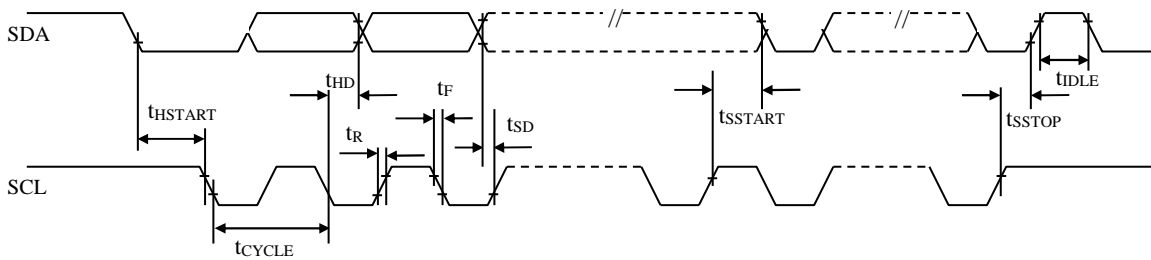
$$V_{DD} - V_{SS} = V_{DD} - V_{SS} = 1.65V \text{ to } 3.3V$$

$$T_A = 25^\circ C$$

**Table 12-6 :I<sup>2</sup>C Interface Timing Characteristics**

Symbol	Parameter	Min	Typ	Max	Unit
t <sub>cycle</sub>	Clock Cycle Time	2.5	-	-	us
t <sub>HSTART</sub>	Start condition Hold Time	0.6	-	-	us
t <sub>HD</sub>	Data Hold Time (for “SDA <sub>OUT</sub> ” pin)	0	-	-	ns
	Data Hold Time (for “SDA <sub>IN</sub> ” pin)	300	-	-	ns
t <sub>SD</sub>	Data Setup Time	100	-	-	ns
t <sub>SSTART</sub>	Start condition Setup Time (Only relevant for a repeated Start condition)	0.6	-	-	us
t <sub>SSTOP</sub>	Stop condition Setup Time	0.6	-	-	us
t <sub>R</sub>	Rise Time for data and clock pin	-	-	300	ns
t <sub>F</sub>	Fall Time for data and clock pin	-	-	300	ns
t <sub>IDLE</sub>	Idle Time before a new transmission can start	1.3	-	-	us

**Figure 12-5 : I<sup>2</sup>C interface Timing characteristics**



### 13 Application Example

**Figure 13-1 : Application Example of SSD1306B with External V<sub>CC</sub> and I<sup>2</sup>C interface**

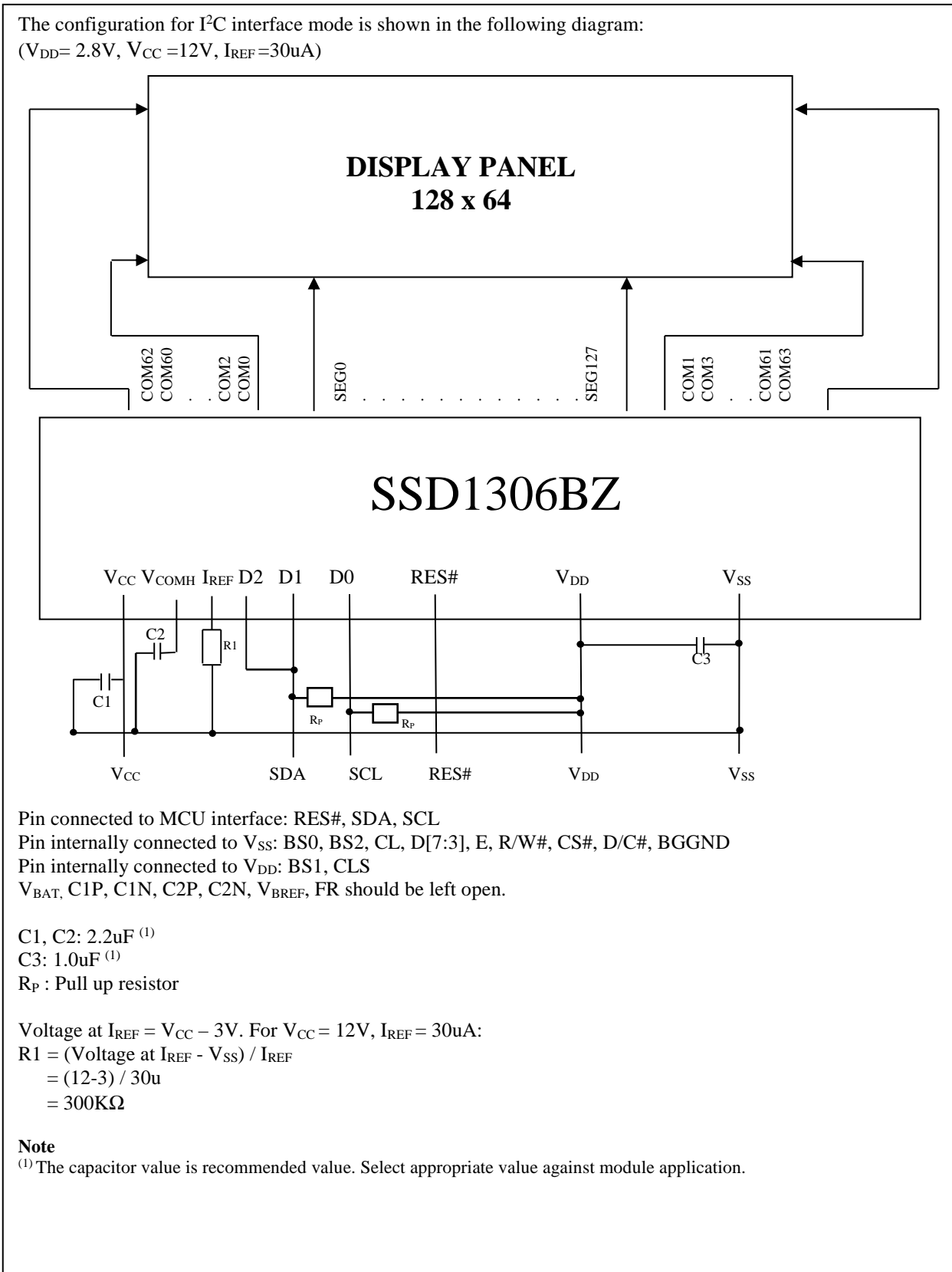
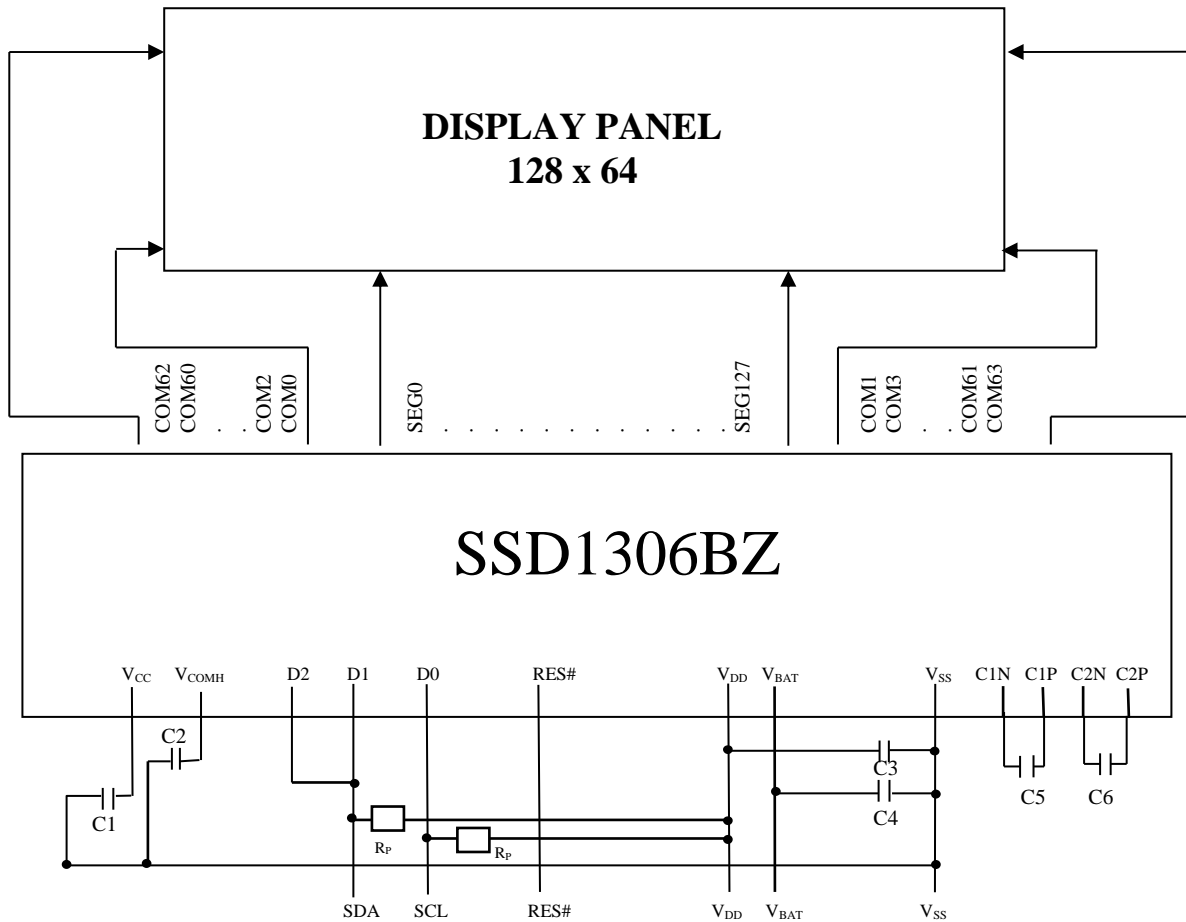


Figure 13-2 Application Example of SSD1306B with Internal Charge Pump, Internal I<sub>REF</sub> and I<sup>2</sup>C interface

The configuration for I<sup>2</sup>C interface mode is shown in the following diagram:

(V<sub>DD</sub>= 2.8V, V<sub>BAT</sub> = 3.8V, Internal I<sub>REF</sub> setting ~19uA)



Pin connected to MCU interface: RES#, D[2:0]

Pin internally connected to V<sub>SS</sub>: BS0, BS2, CL, D[7:3], E, R/W#, CS#, D/C#, BGGND

Pin internally connected to V<sub>DD</sub>: BS1, CLS

I<sub>REF</sub>, V<sub>BREF</sub>, FR should be left open.

C1, C2: 2.2uF <sup>(1)</sup>

C3, C4 : 1.0uF <sup>(1)</sup>

C5, C6: 1.0uF/10V <sup>(1)</sup>

R<sub>P</sub> : Pull up resistor

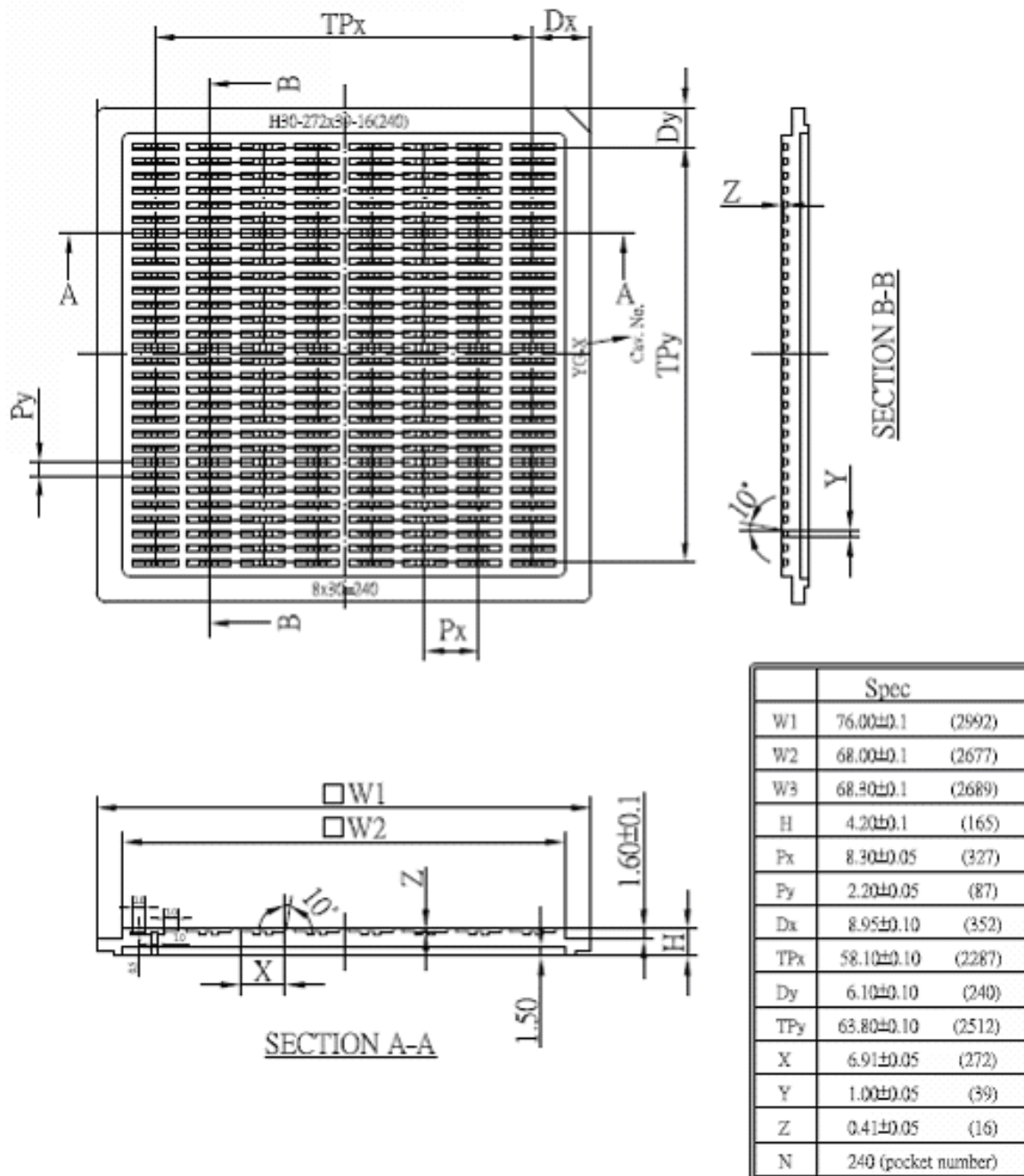
**Note**

<sup>(1)</sup> The capacitor value is recommended value. Select appropriate value against module application.


## 14 PACKAGE INFORMATION

### 14.1 SSD1306BZ Die Tray Information

Figure 14-1 : SSD1306BZ die tray information



Solomon Systech reserves the right to make changes without notice to any products herein. Solomon Systech makes no warranty, representation or guarantee regarding the suitability of its products for any particular purpose, nor does Solomon Systech assume any liability arising out of the application or use of any product or circuit, and specifically disclaims any, and all, liability, including without limitation consequential or incidental damages. "Typical" parameters can and do vary in different applications. All operating parameters, including "Typical" must be validated for each customer application by the customer's technical experts. Solomon Systech does not convey any license under its patent rights nor the rights of others. Solomon Systech products are not designed, intended, or authorized for use as components in systems intended for surgical implant into the body, or other applications intended to support or sustain life, or for any other application in which the failure of the Solomon Systech product could create a situation where personal injury or death may occur. Should Buyer purchase or use Solomon Systech products for any such unintended or unauthorized application, Buyer shall indemnify and hold Solomon Systech and its offices, employees, subsidiaries, affiliates, and distributors harmless against all claims, costs, damages, and expenses, and reasonable attorney fees arising out of, directly or indirectly, any claim of personal injury or death associated with such unintended or unauthorized use, even if such claim alleges that Solomon Systech was negligent regarding the design or manufacture of the part.

 The product(s) listed in this datasheet comply with Directive 2011/65/EU of the European Parliament and of the council of 8 June 2011 on the restriction of the use of certain hazardous substances in electrical and electronic equipment and People's Republic of China Electronic Industry Standard SJ/T 11363-2006 "Requirements for concentration limits for certain hazardous substances in electronic information products (电子信息产品中有害物质的限量要求)". Hazardous Substances test report is available upon request.

<http://www.solomon-systech.com>