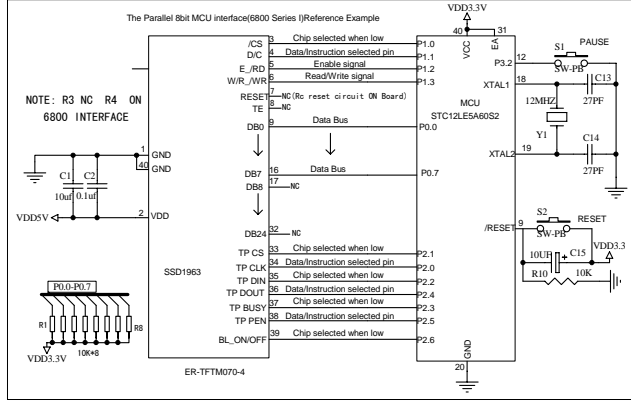
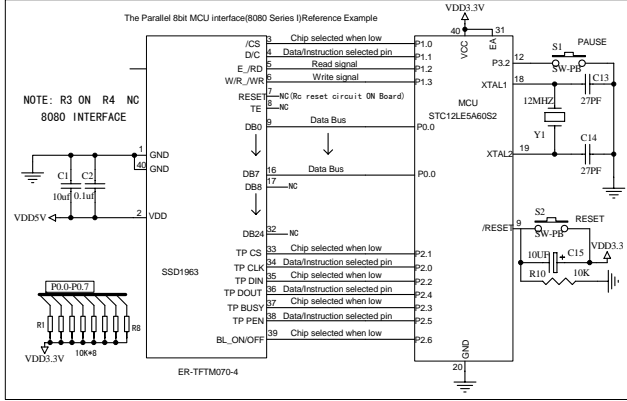
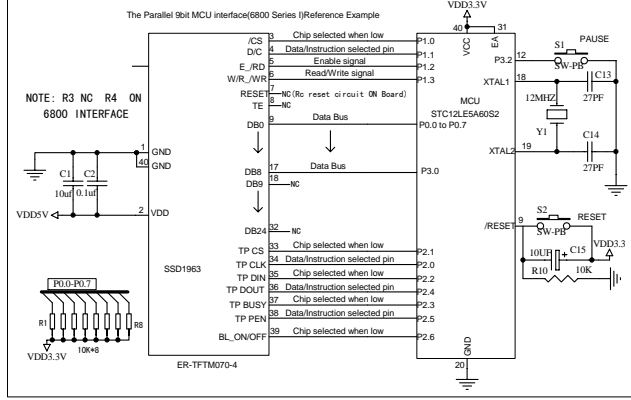
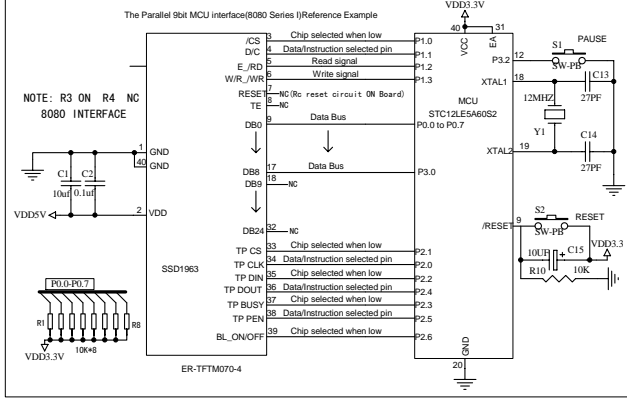
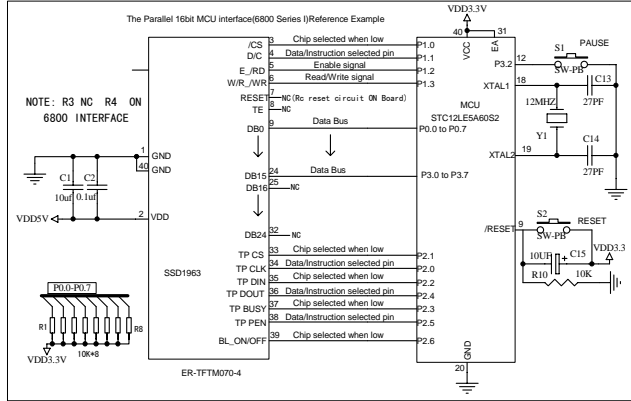
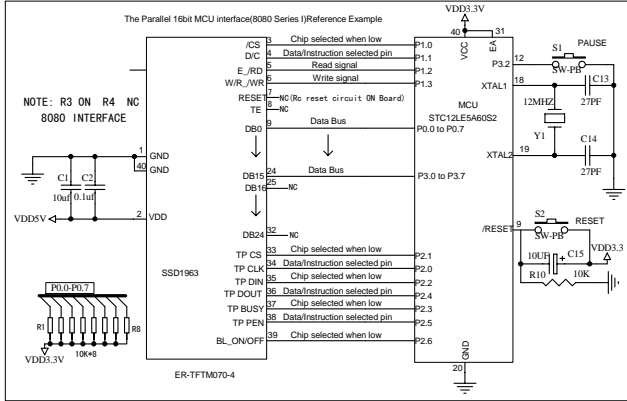
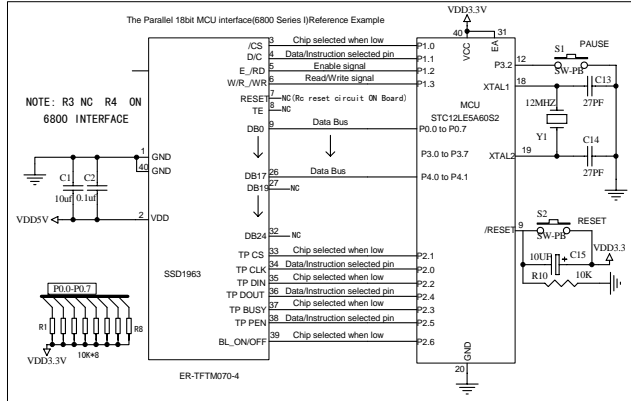
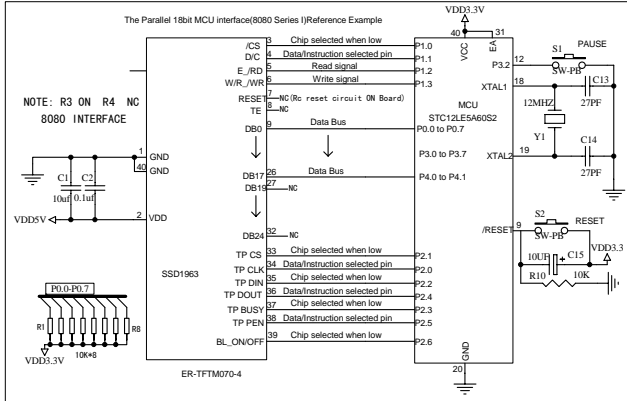
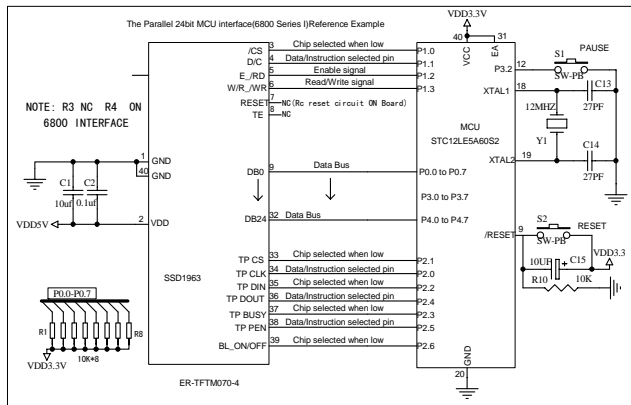
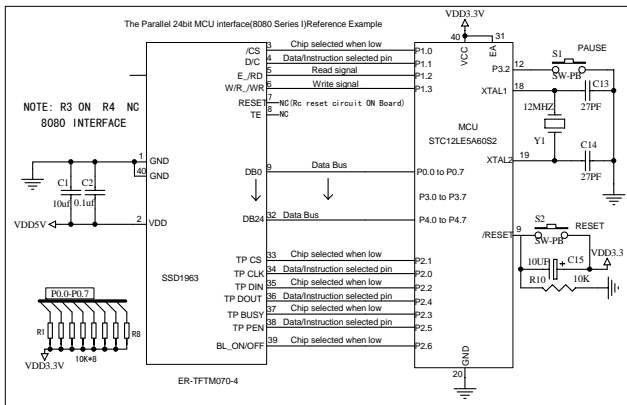


MCU (STC12LE5A60S2) INTERFACING



Note: Pin33 to Pin38 should leave blank if no touch panel.

Title EASTRISING TECHNOLOGY CO.,LTD.			
Size A	Number ER-TFTM070-4	Revision A0	
Date 5-MAR-2013	Sheet of 1	Drawn By Javen	