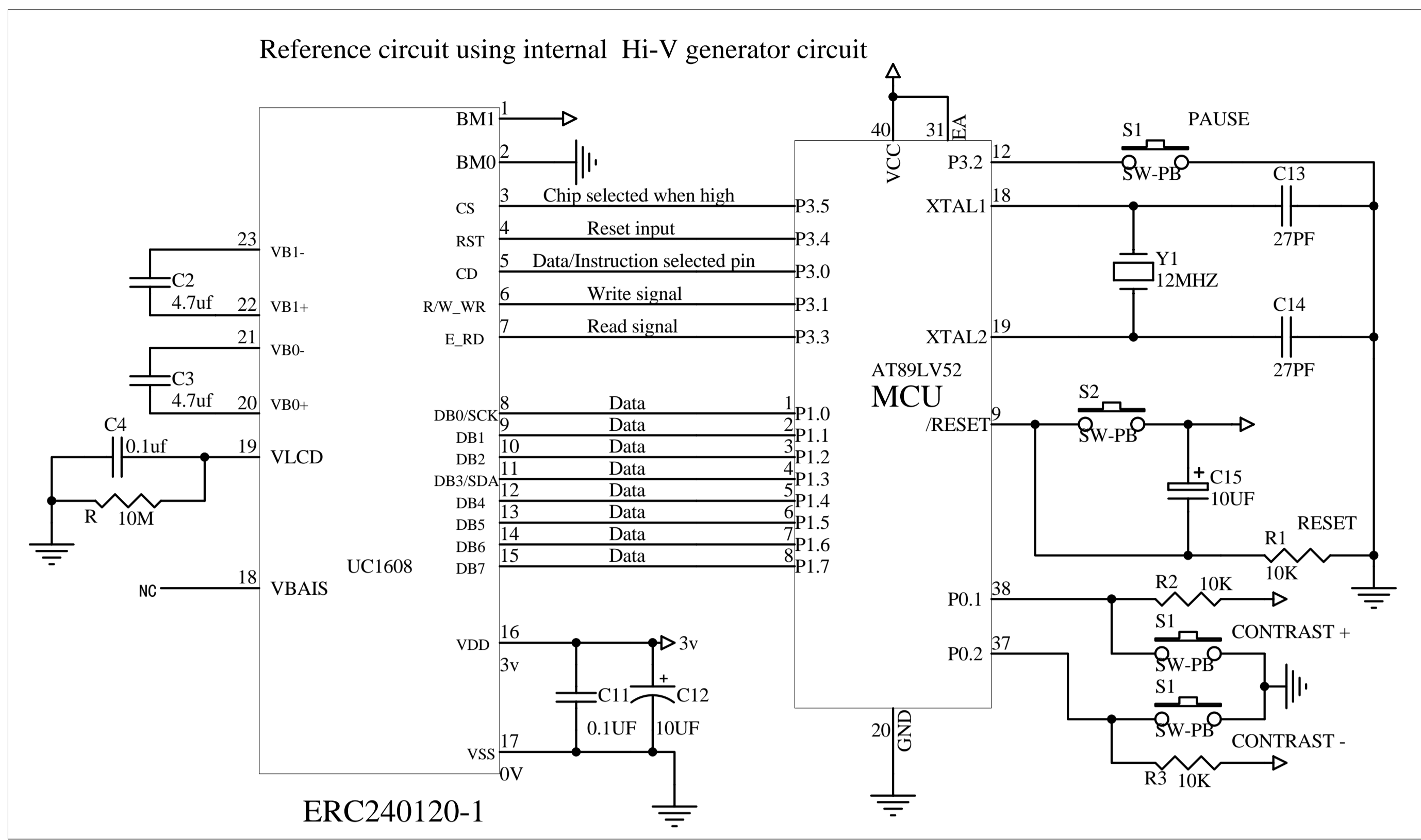
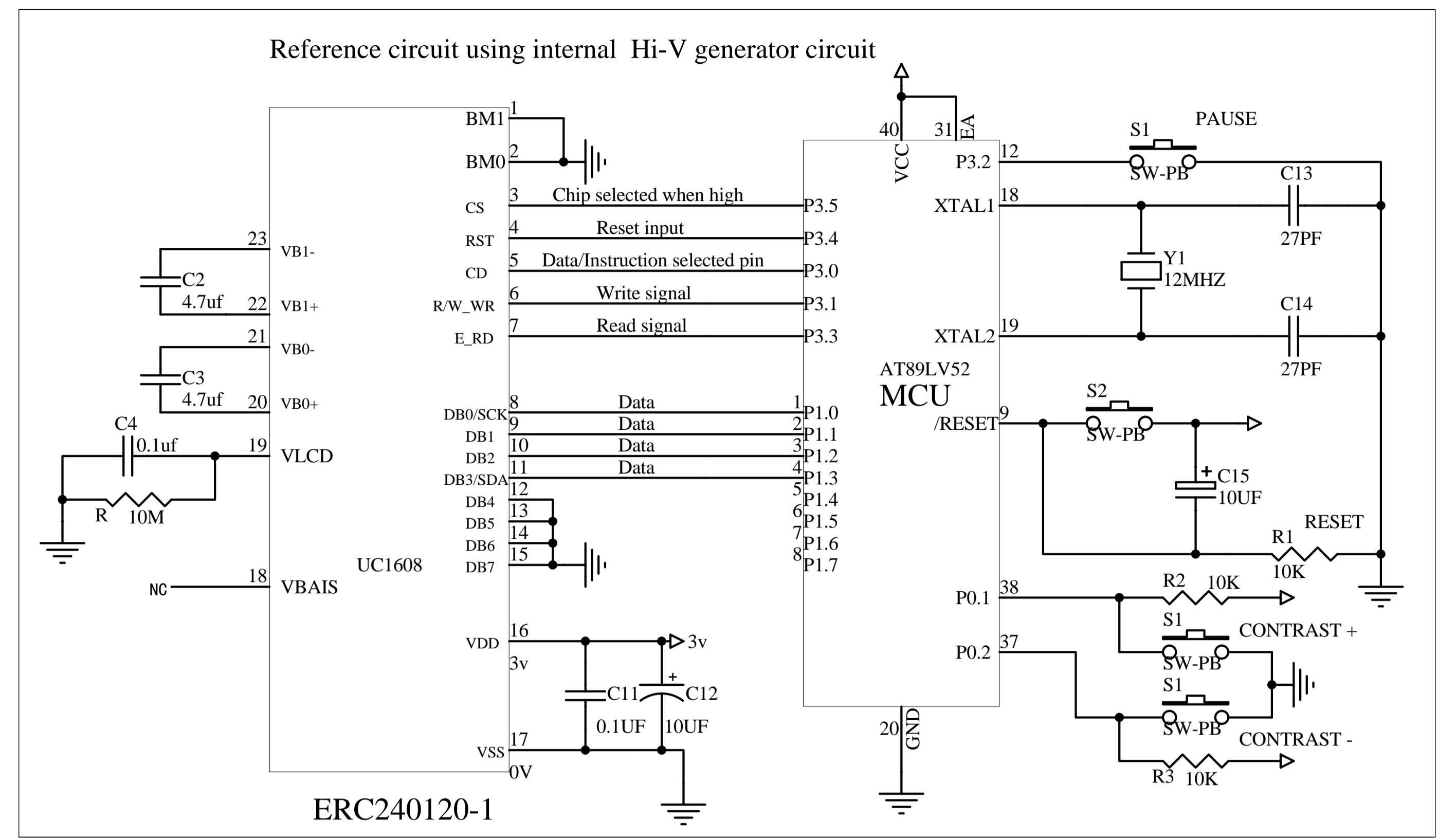


Interfacing LCD Modules to the AT89LV52 MCU

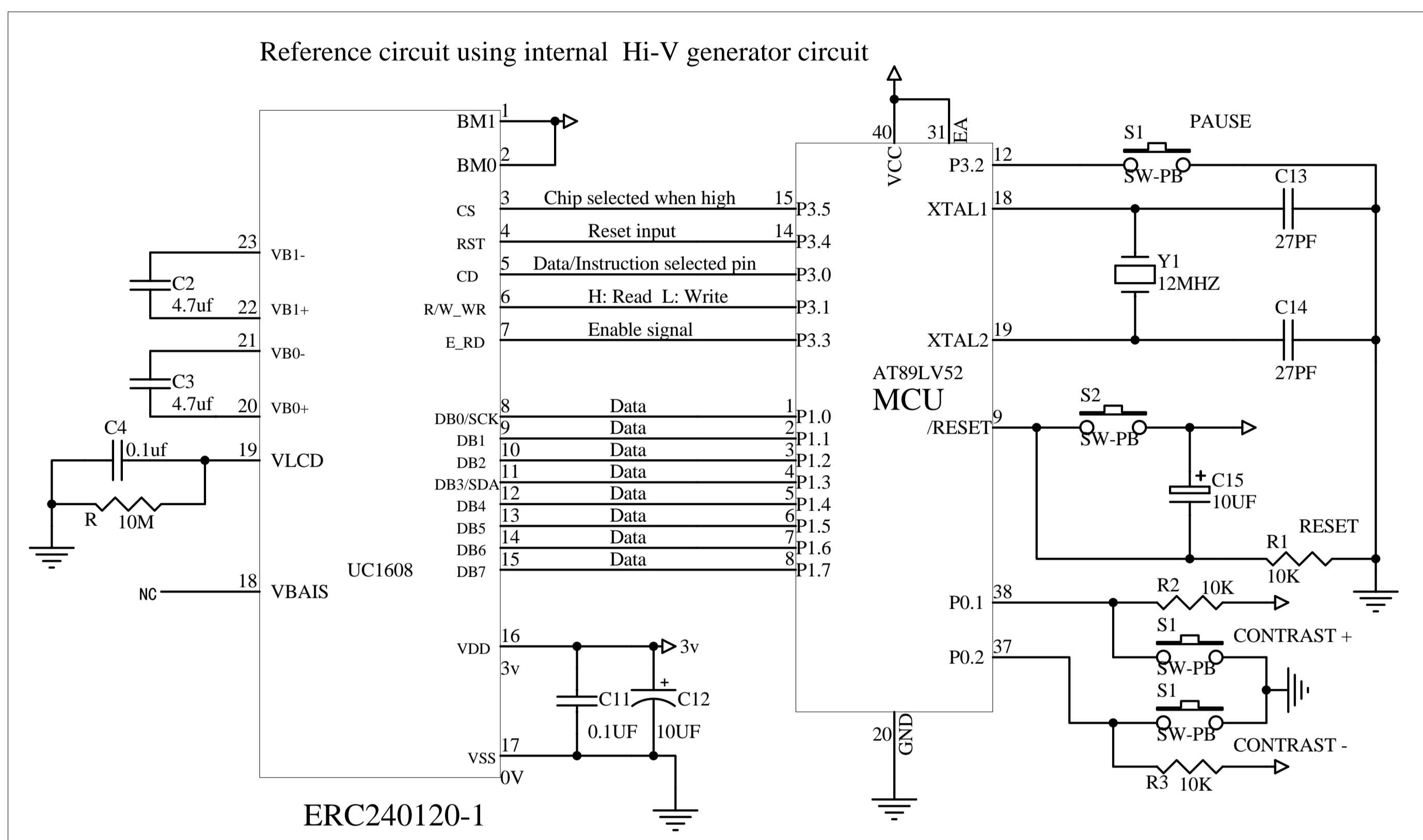
The Parallel (8080 8bit Series MCU)Reference Example



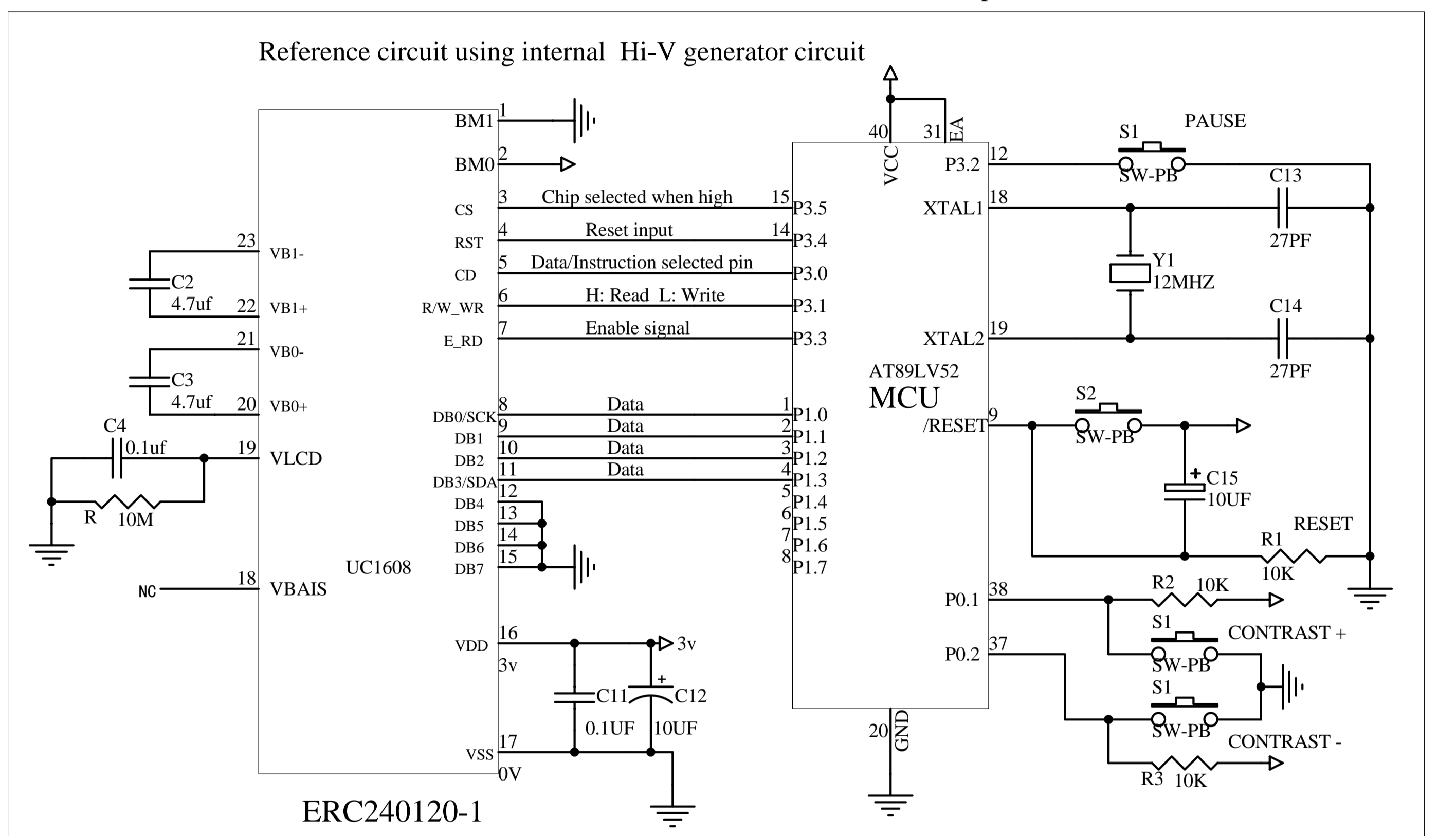
The Parallel (8080 4bit Series MCU)Reference Example



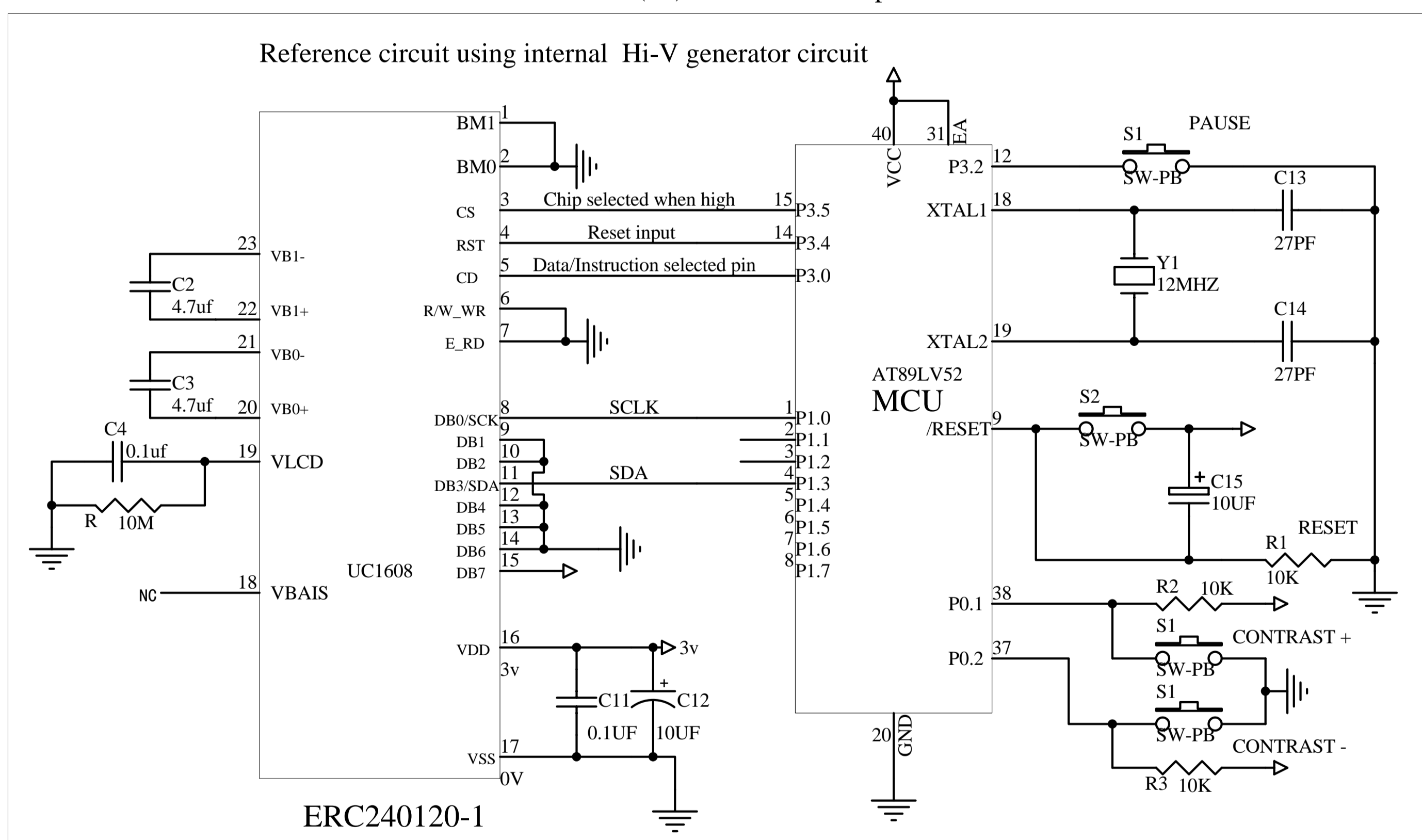
The Parallel (6800 8bit Series MCU)Reference Example



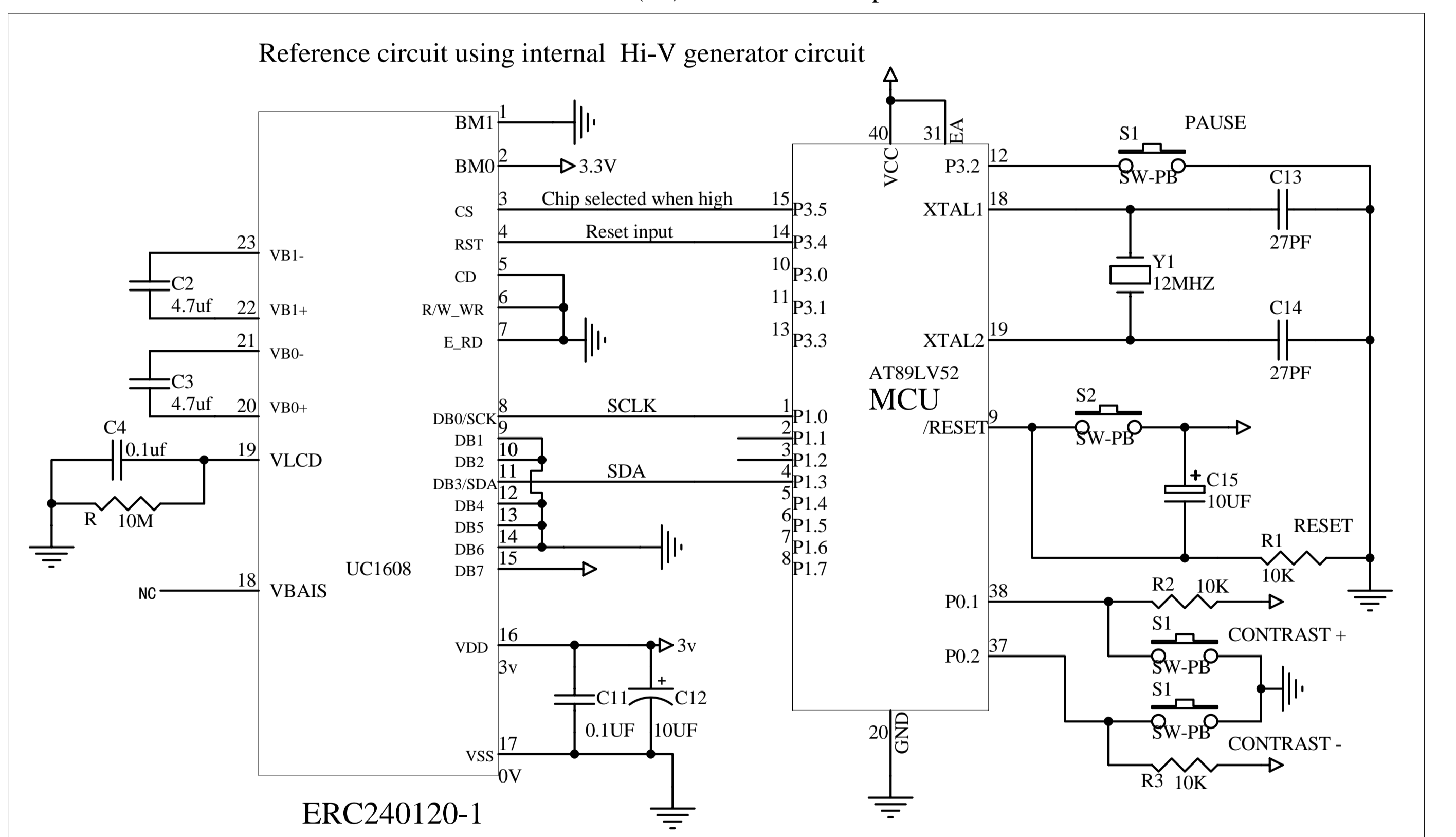
The Parallel (6800 4bit Series MCU)Reference Example



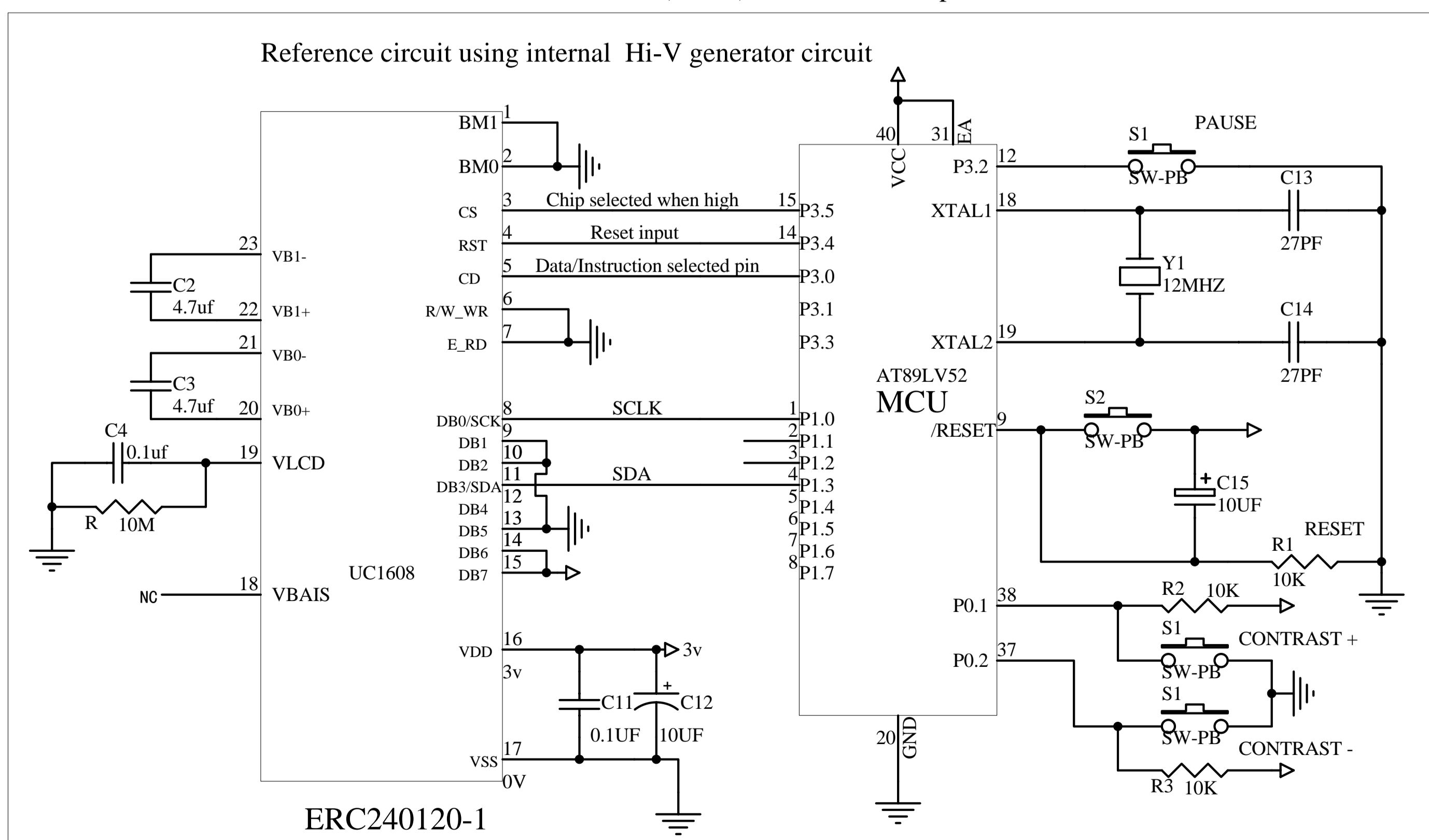
The Serial 4line SPI(S8) Reference Example



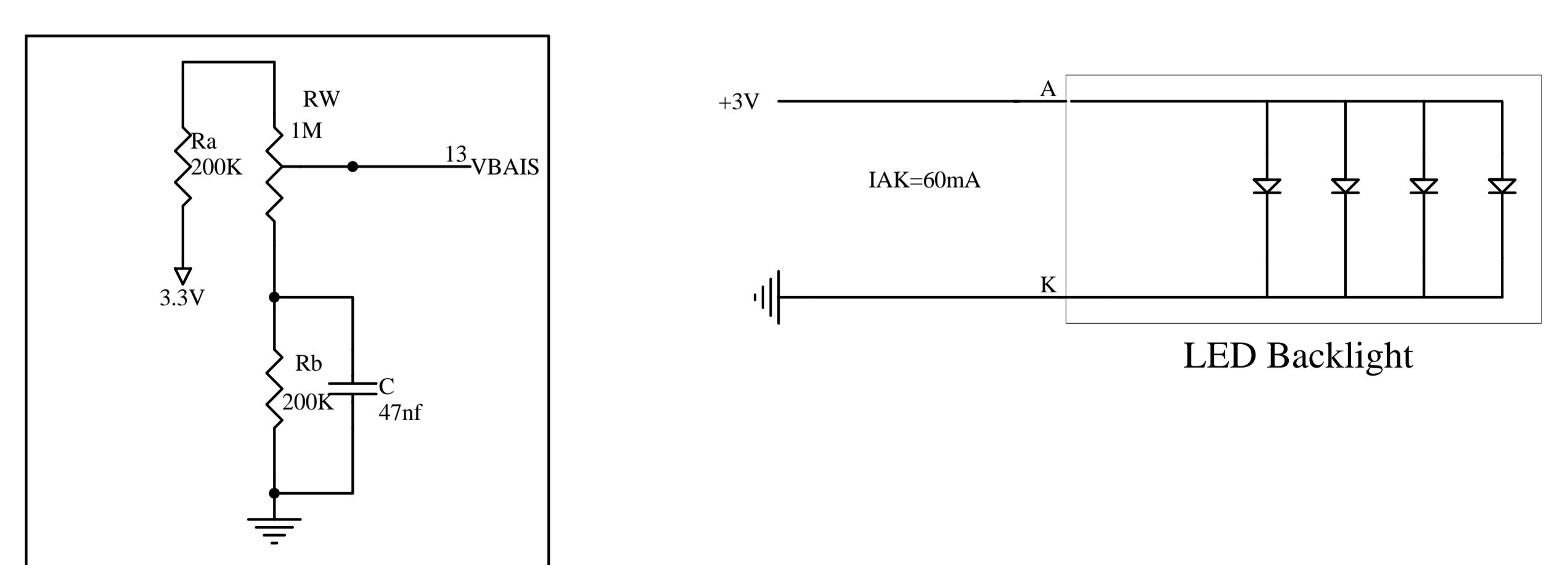
The Serial 3line SPI(S9) Reference Example



The Serial 3/4line SPI(S8UC) Reference Example



Reference circuit using external Bias source



RST pin is optional. When RST pin is not used ,connect the pin to VDD

Title	EASTRISING TECHNOLOGY CO.,LTD.		
Size	Number	Revision	
A	ERC240120-1	A0	
Date:	08-Apr-2011	Sheet of	1
File		Drawn By	Javen