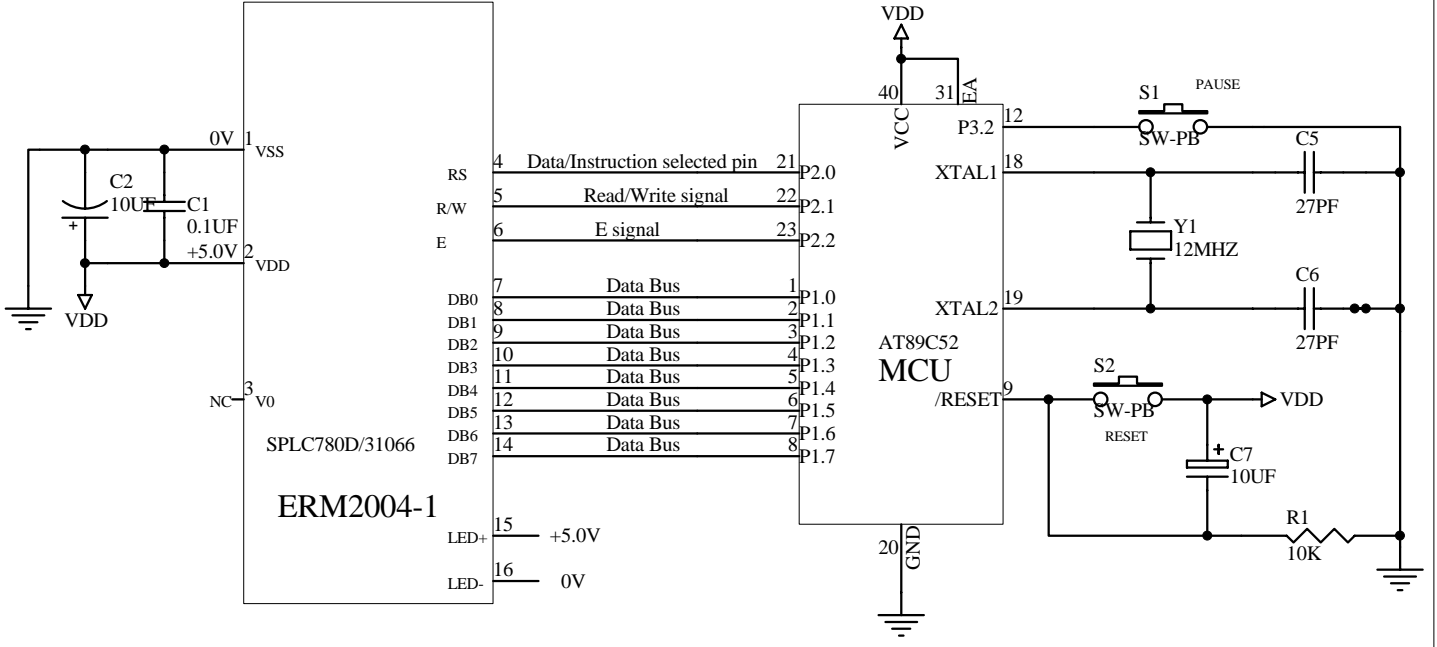
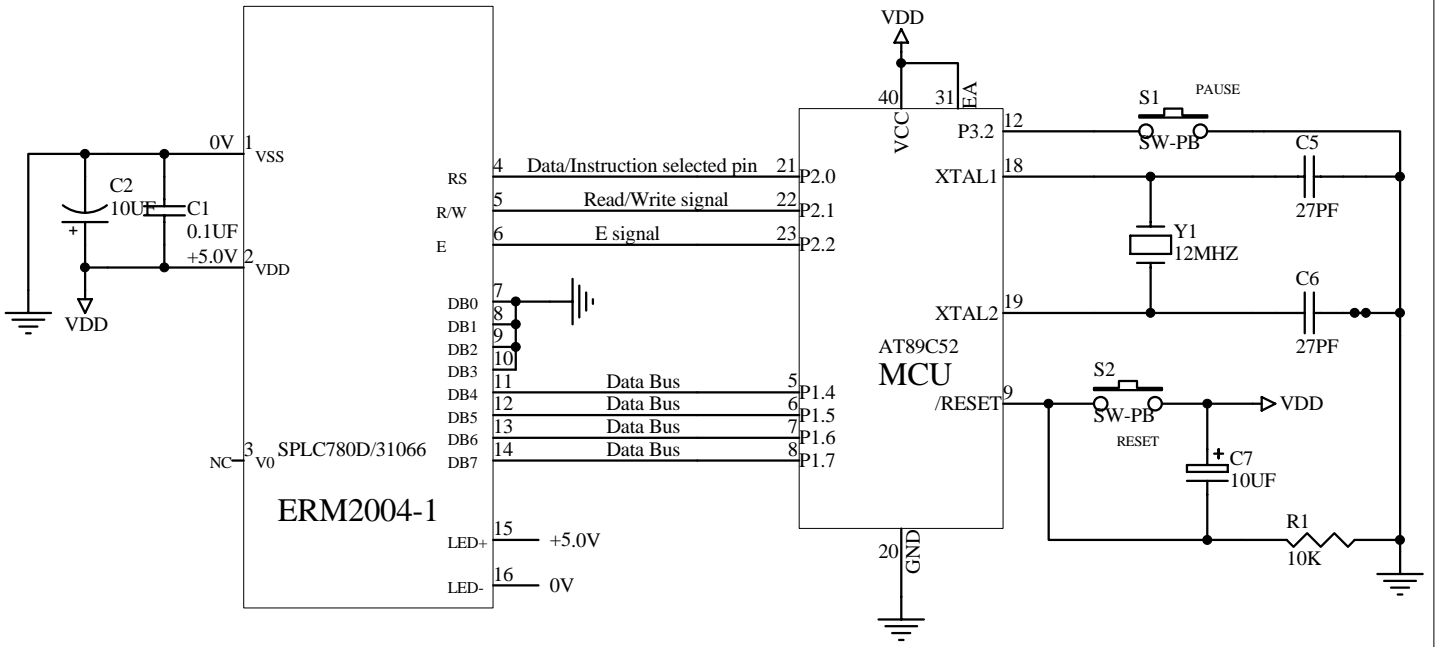


Interfacing 5V Character LCD Module (ERM2004-1 Series) to MCU AT89C52

The Parallel 8Bit(6800 Series MCU)Reference Example



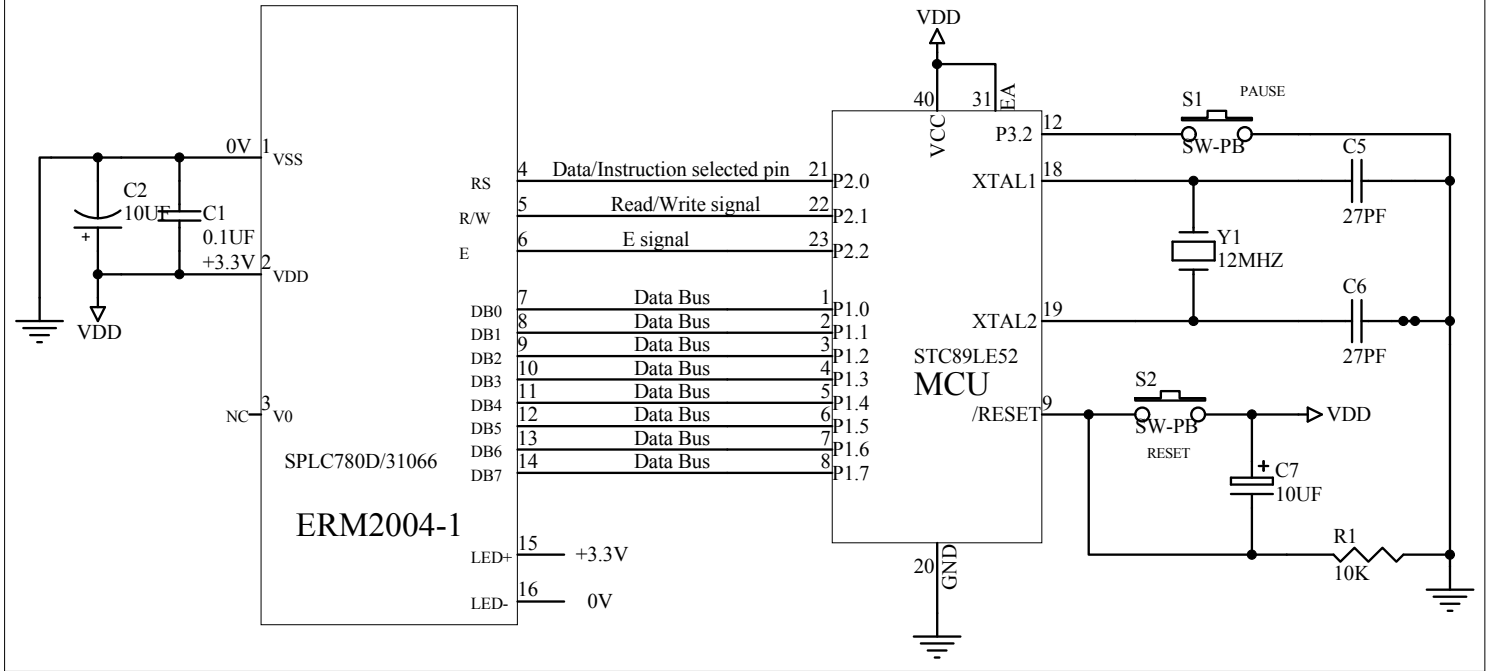
The Parallel 4Bit(6800 Series MCU)Reference Example



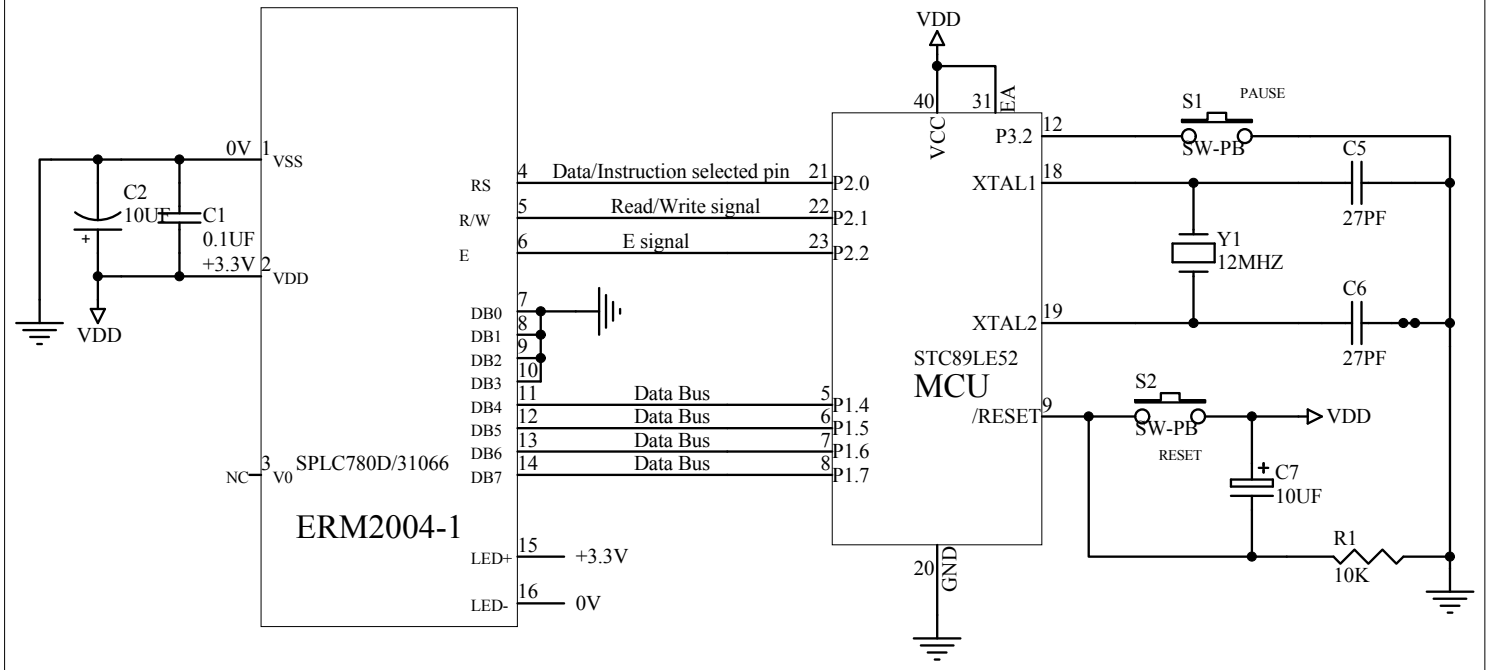
| | | | | | |
|--------------|-------------|-----------------|---------------------------------------|--|-----------------|
| Title | | | EASTRISING TECHNOLOGY CO.,LTD. | | |
| Size | A | Number | ERM2004-1 | | Revision |
| | | | A0 | | |
| Date: | 26-Nov-2009 | Sheet of | 1 | | |
| File | | Drawn By | Javen | | |

Interfacing 3.3V Character LCD Module (ERM2004-1 Series) to MCU AT89C52

The Parallel 8Bit(6800 Series MCU)Reference Example



The Parallel 4Bit(6800 Series MCU)Reference Example



| | | | |
|---|---------------------|----------------|-------|
| Title EASTRISING TECHNOLOGY CO.,LTD. | | | |
| Size A | Number ERM2004-1 | Revision A0 | |
| Date: | 30-Mar-2016 | Sheet of | 1 |
| File | | Drawn By | Javen |