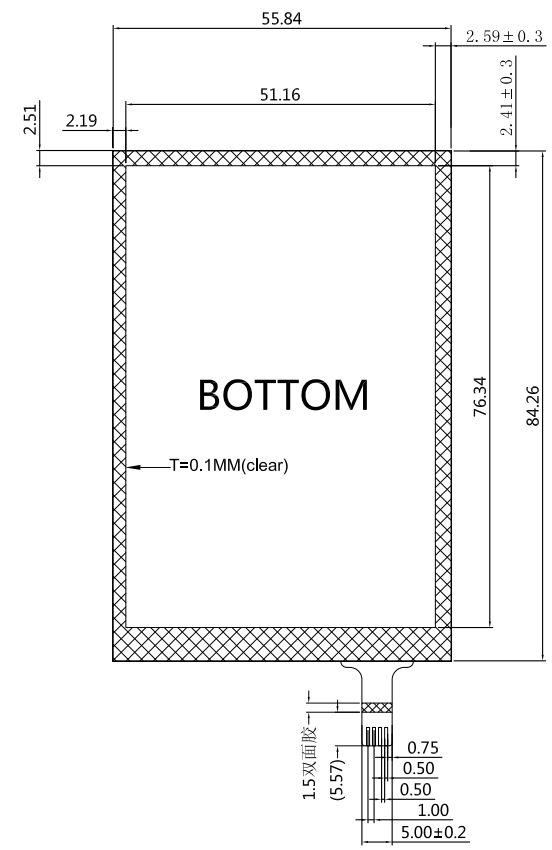
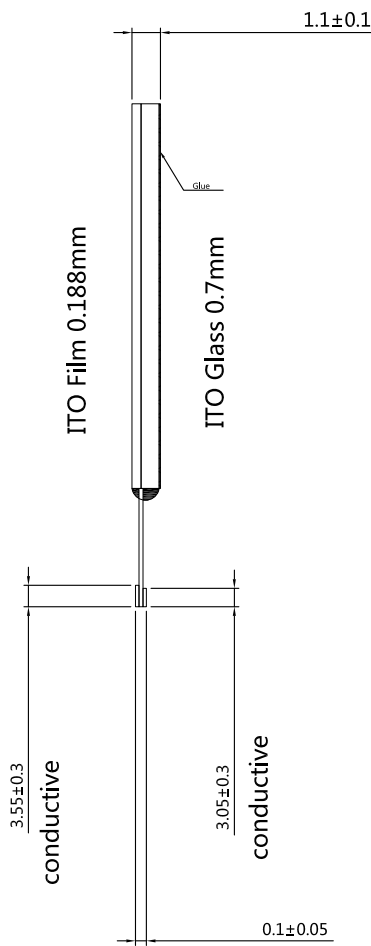
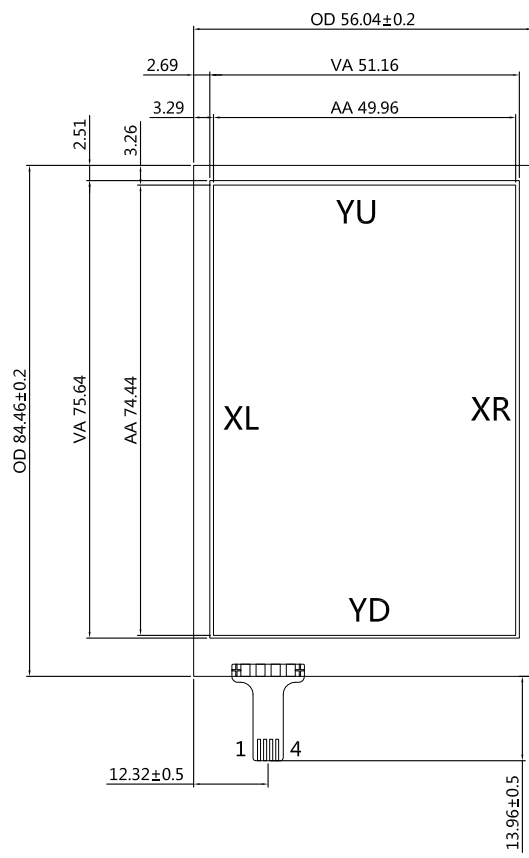


VERSION NUMBER:
A



- note :
- 1.Construction : film+glass+tail
ITO film:clear 350-450Ω/□ (0.188mm)
ITO glass:500Ω/□ (0.7mm)
tail:FPC (pitch=1mm)
Thickness : 1.1±0.1
 - 2.Max voltage : DC3-15V 1mA
 3. Insulation resistance : ≥20MΩ(25V DC)
 - 4.Linearity : ≤1.5%
 - 5.Optical characteristics : ≥80%
 - 6.Operation force : <60g
 - 7.Tapping durability : ≥1,000,000次
 - 8.Pen sliding durability : ≥100,000次
 - 9.Operating temperature & Humidity : -20°C~+70°C , ≤90%RH ,
 - 10.Storage temperature & Humidity : -30°C~+80°C , ≤90%RH
 - 11.Hardness:3H
 - 12.Chatting Time:<10ms,
 - 13.Terminal resistance:X:250-500Ω,Y:300-800Ω
 - 14.TOLERANCE±0.20mm

| Pin No. | Symbol |
|---------|--------|
| 1 | YU |
| 2 | XL |
| 3 | YD |
| 4 | XR |

| | |
|--|-------------------------------|
| <p>EastRising Technology Co.,Ltd 旭日东方科技有限公司 buydisplay.com</p> | <p>CD</p> |
| | <p>UNIT: MM SIZE: A4</p> |
| | <p>SHEET: 1 OF 1</p> |
| <p>Part Number: ER-TP035-6 REV: A0</p> | |
| <p>DRAWN BY :JIM</p> | <p>CHECKED BY :JAVEN</p> |
| <p>APPROVED BY : 1:1</p> | |