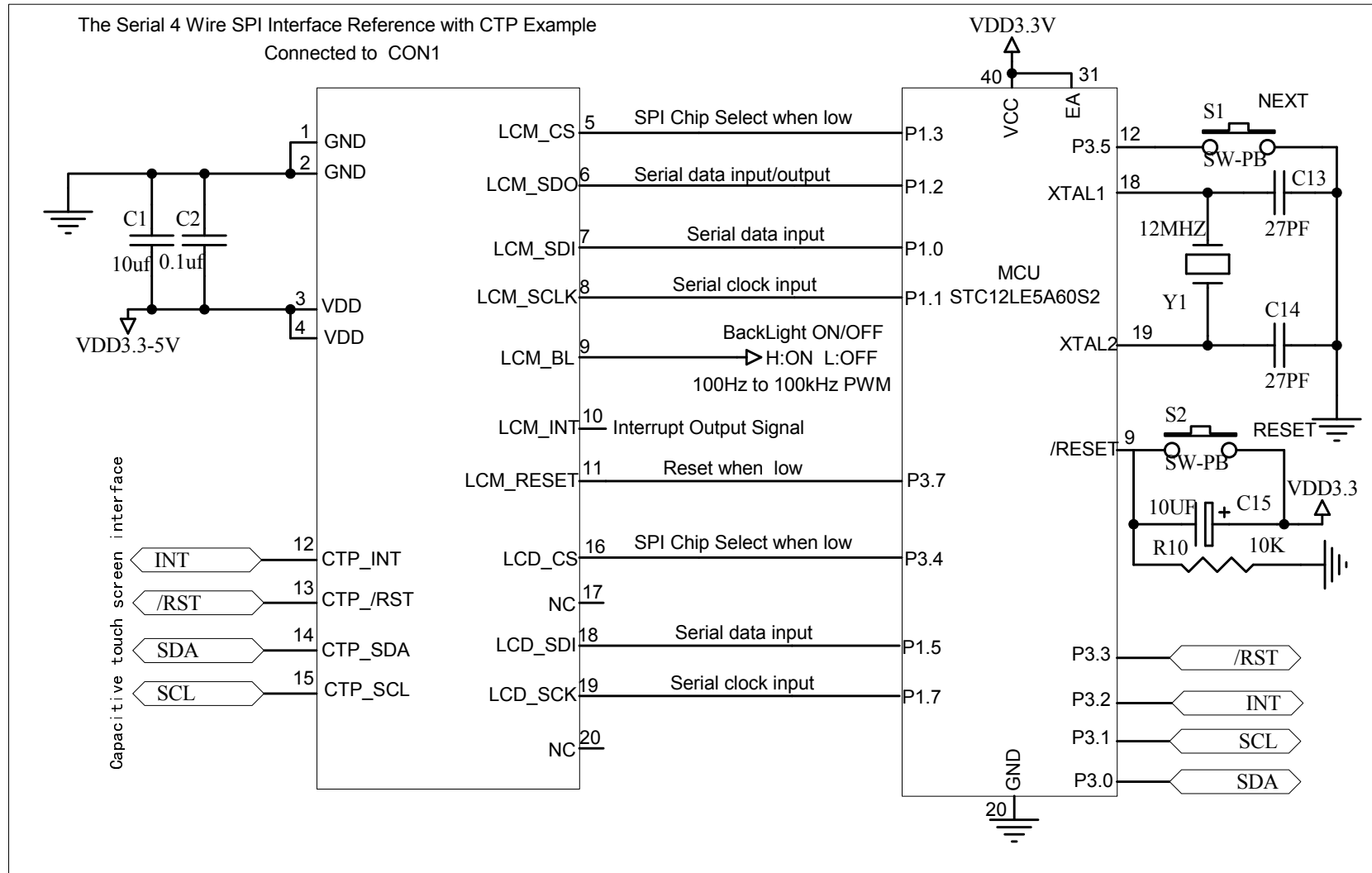


MCU Interfacing LCD Modules to the STC12LE5A60S2



Title EASTRISING TECHNOLOGY CO.,LTD.

REV.	DESCRIPTION OF MODIFY	MODIFY BY	DATE
A0	1'ST DESIGN	JIM	Dec-29-2023

Size A	Number ER-PCB5981-1	Revision A0
Date: Dec-29-2023	Sheet of 1	
File	Drawn By JIM	