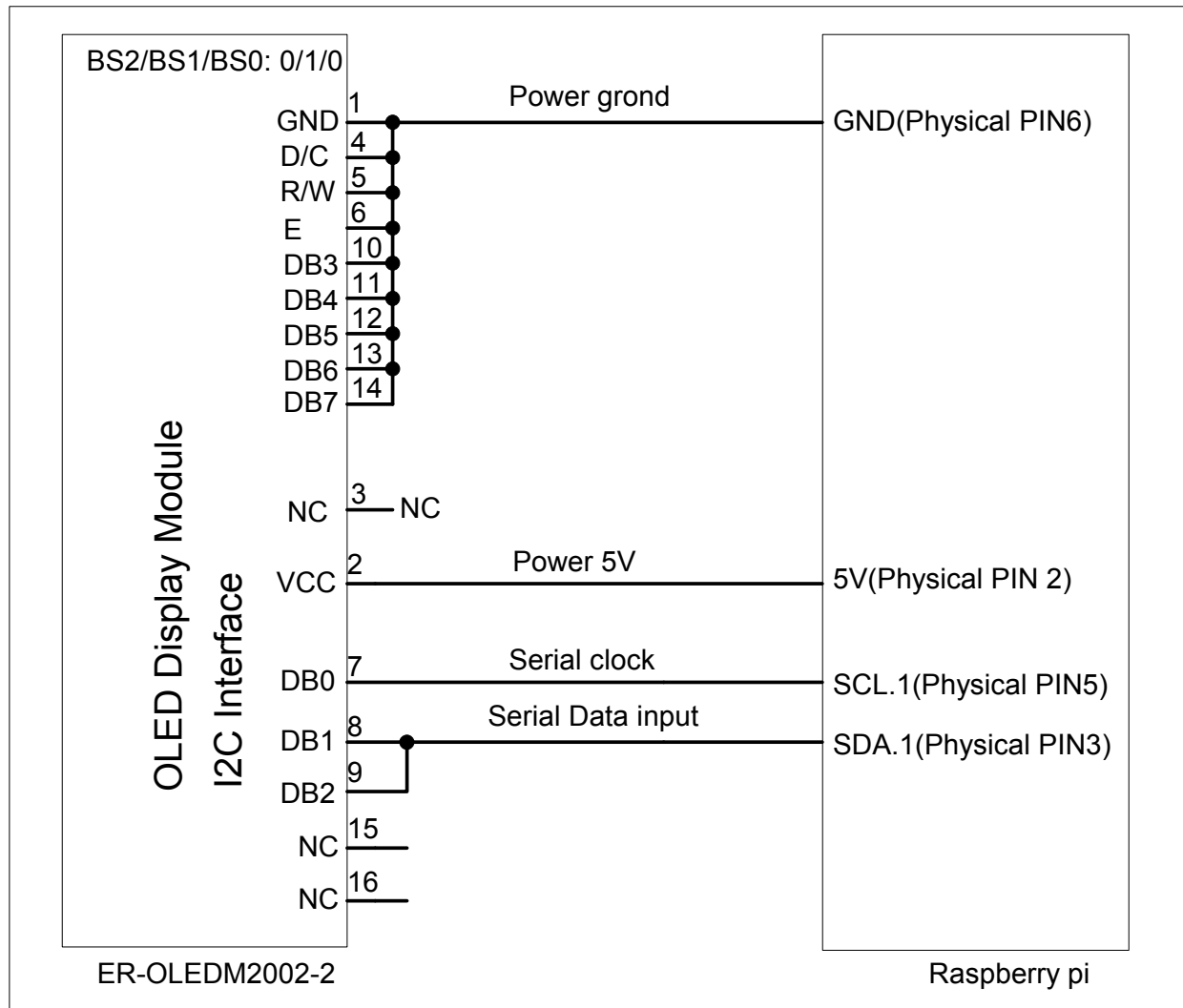


# Interfacing I2C OLED Display Module to Raspberry pi



## == How to use ==

- 1, Install the C libraries of bcm2835, see: <http://www.airspayce.com/mikem/bcm2835/>
- 2, Change the current directory to where the Makefile and oled.c file located.
- 3, Clean the file with: `make clean`
- 4, Compile the file with: `make`
- 5, Run the demo with: `sudo ./oled`

REV.	DESCRIPTION OF MODIFY	MODIFY BY	DATE
A0	1'ST DESIGN	JIM	08-Jun-2023
A1			

Title		EASTRISING TECHNOLOGY CO.,LTD.		www.buydisplay.com	
Size	Number		Revision		
A	ER-OLEDM2002-2 to Raspberry pi (I2C Interface)		A0		
Date:	08-Jun-2023		Sheet of	1	
File			Drawn By	Javen	