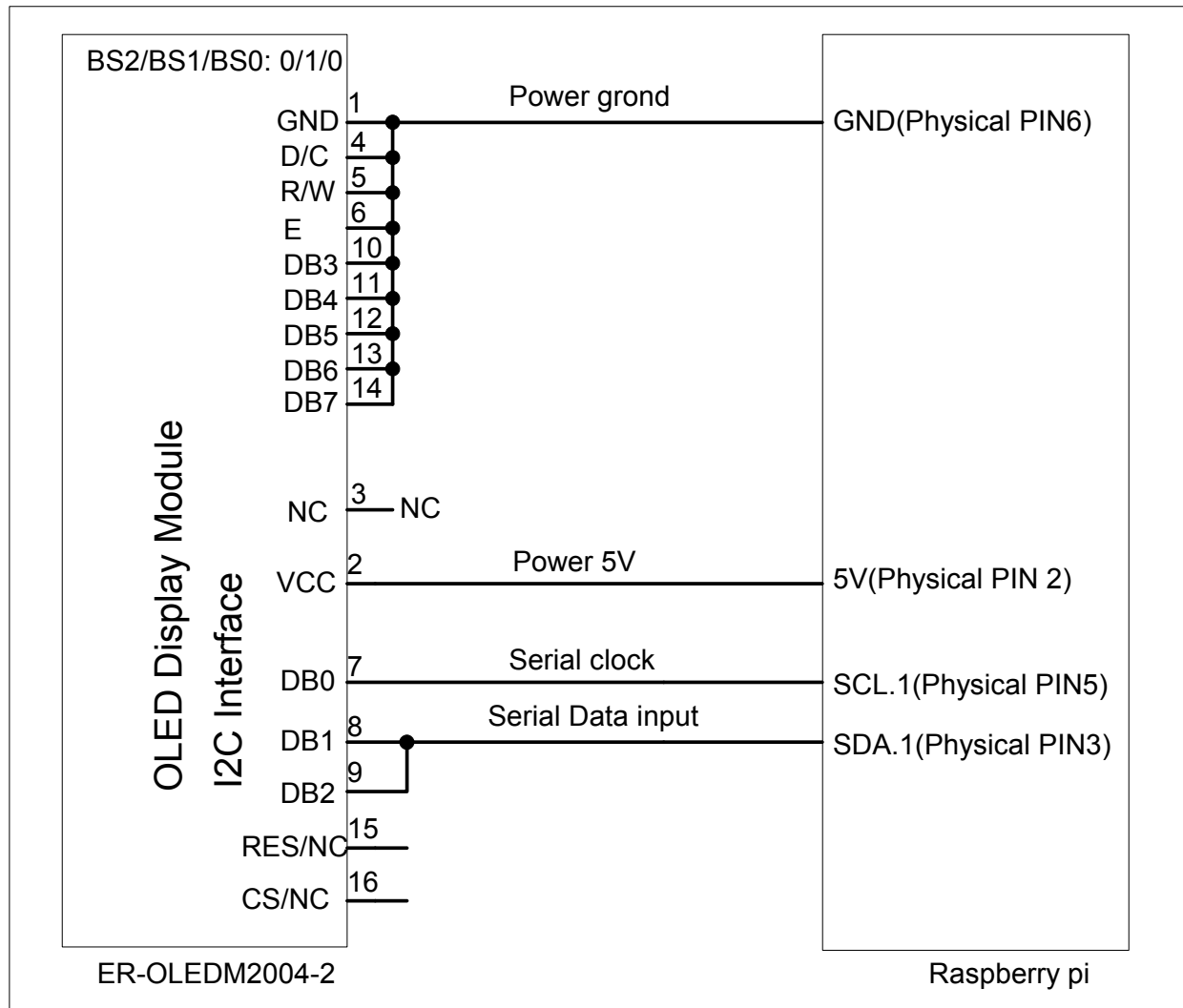


Interfacing I2C OLED Display Module to Raspberry pi



== How to use ==

- 1, Install the C libraries of bcm2835, see: <http://www.airspayce.com/mikem/bcm2835/>
- 2, Change the current directory to where the Makefile and oled.c file located.
- 3, Clean the file with: make clean
- 4, Compile the file with: make
- 5, Run the demo with: sudo ./oled

REV.	DESCRIPTION OF MODIFY	MODIFY BY	DATE
A0	1'ST DESIGN	JIM	08-Jun-2023
A1			

Title EASTRISING TECHNOLOGY CO.,LTD.		www.buydisplay.com
Size A	Number ER-OLEDM2004-2 to Raspberry pi (I2C Interface)	Revision A0
Date:	08-Jun-2023	Sheet of 1
File	Drawn By Javen	