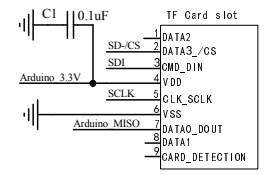
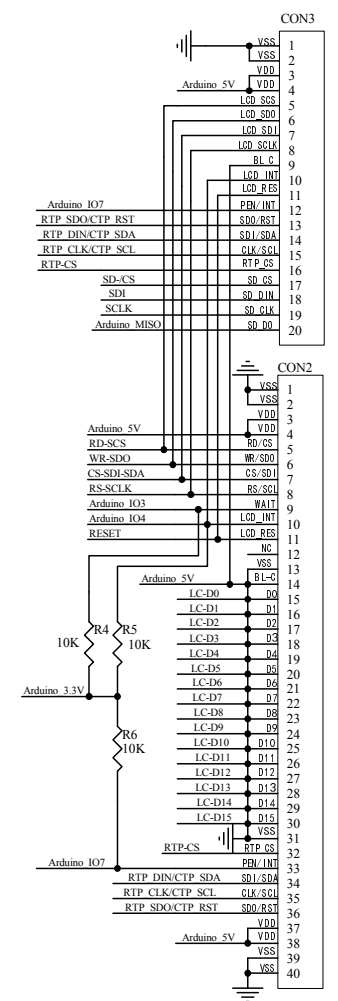
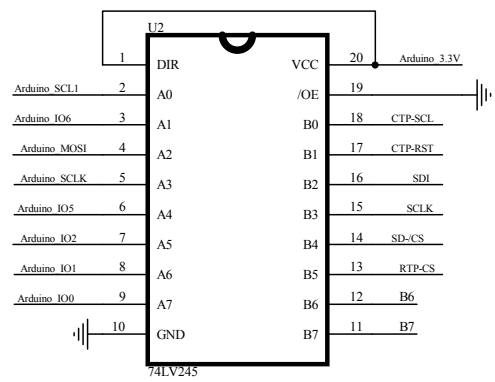
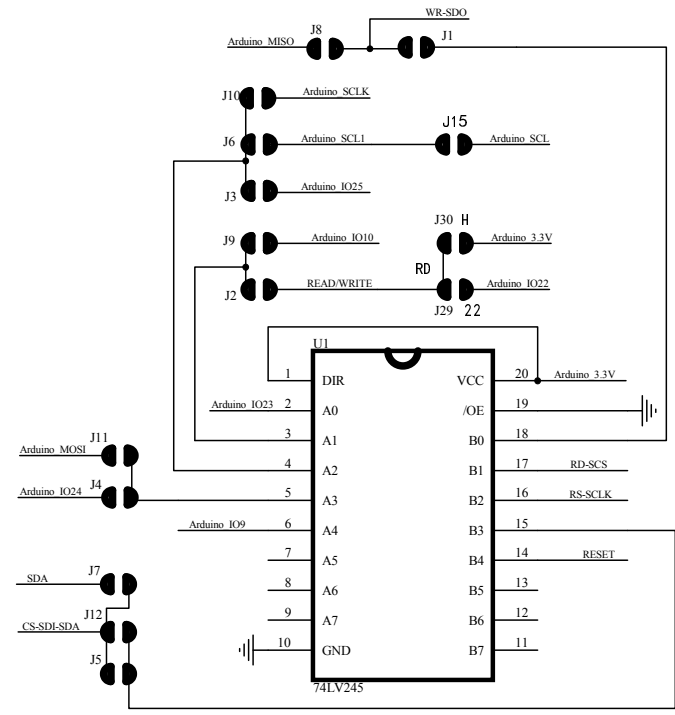
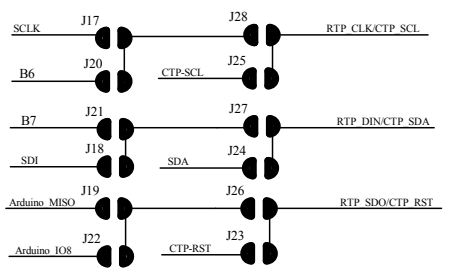


Parallel interface circuit. Is not installed



Title			EASTRISING TECHNOLOGY CO.,LTD.		
Size	Number	Revision		1.0	
B	ER-AS-5517 Schematic				
Date:	25-Apr-2021	Sheet of	1		
File:	D:\工程\部产文件\arduino\arduino code\TFT\液晶屏PCB\TFT Slave for Arduino	收新			