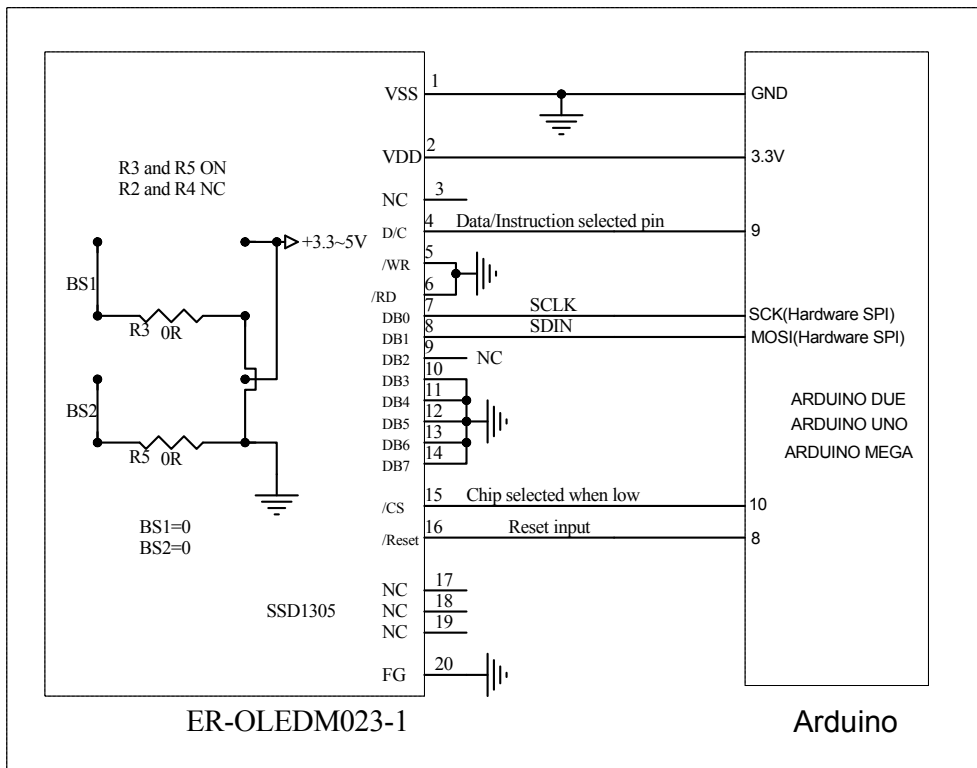
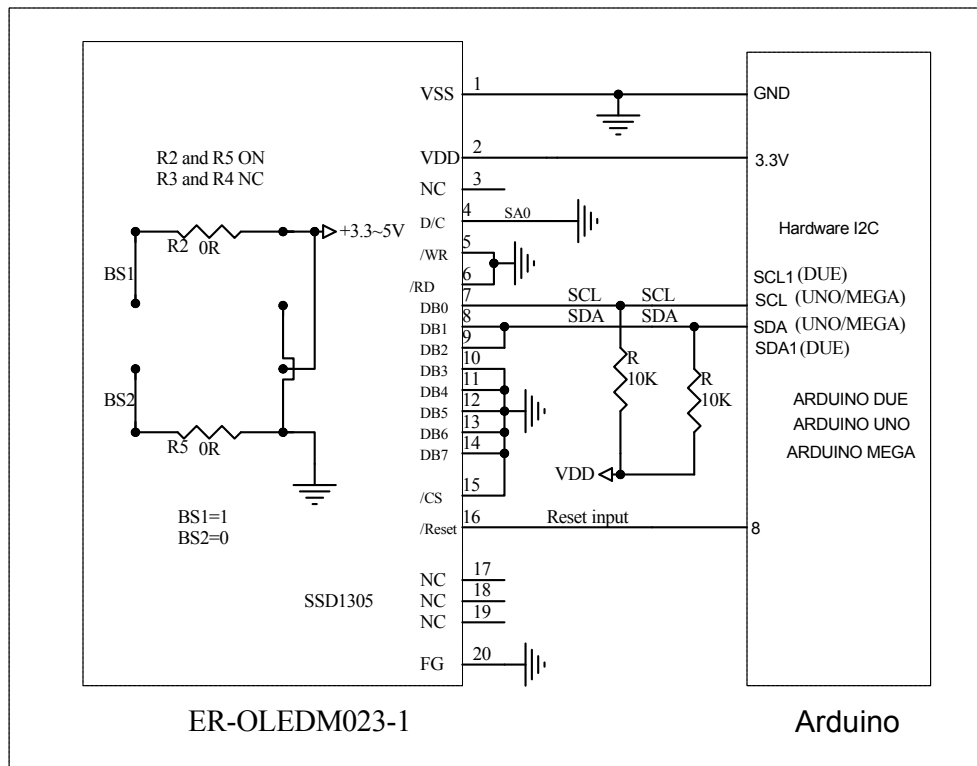


Interfacing 4-wire SPI OLED Display Module to Arduino



Interfacing 2-wire I2C OLED Display Module to Arduino



REV.	DESCRIPTION OF MODIFY	MODIFY BY	DATE
A0	1 ST DESIGN	JIM	29-Nov-2019
A1			

Title		
EASTRISING TECHNOLOGY CO.,LTD.		
Size	Number	Revision
A	ER-OLEDM023-1 Series	A0
Date:	29-Nov-2019	Sheet of 1
File		Drawn By Javen