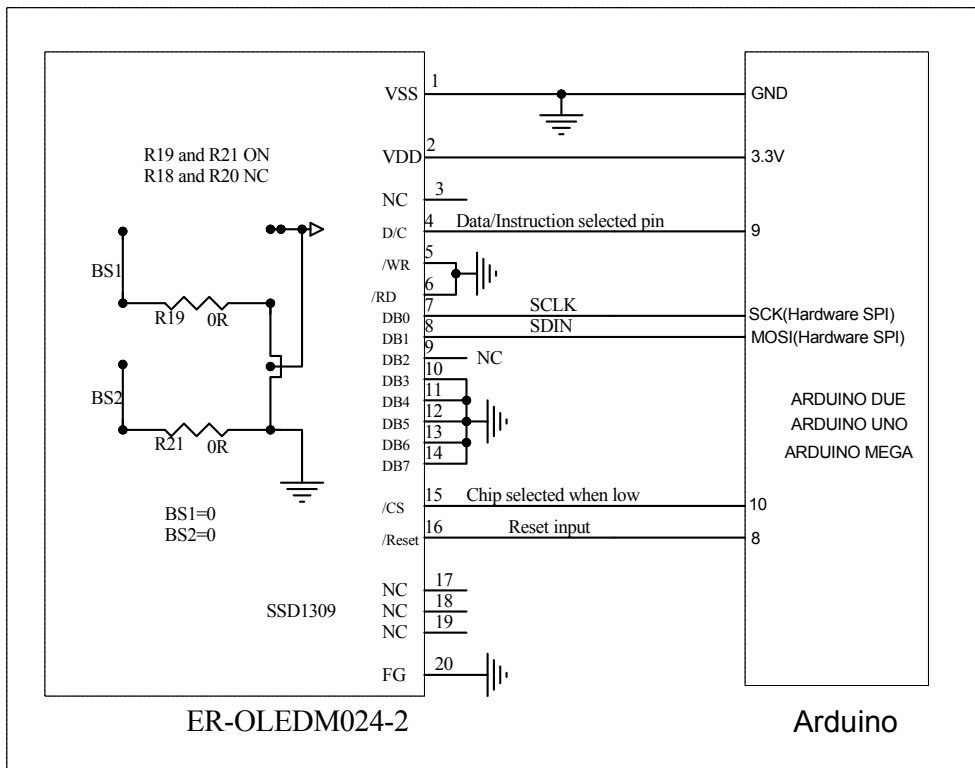
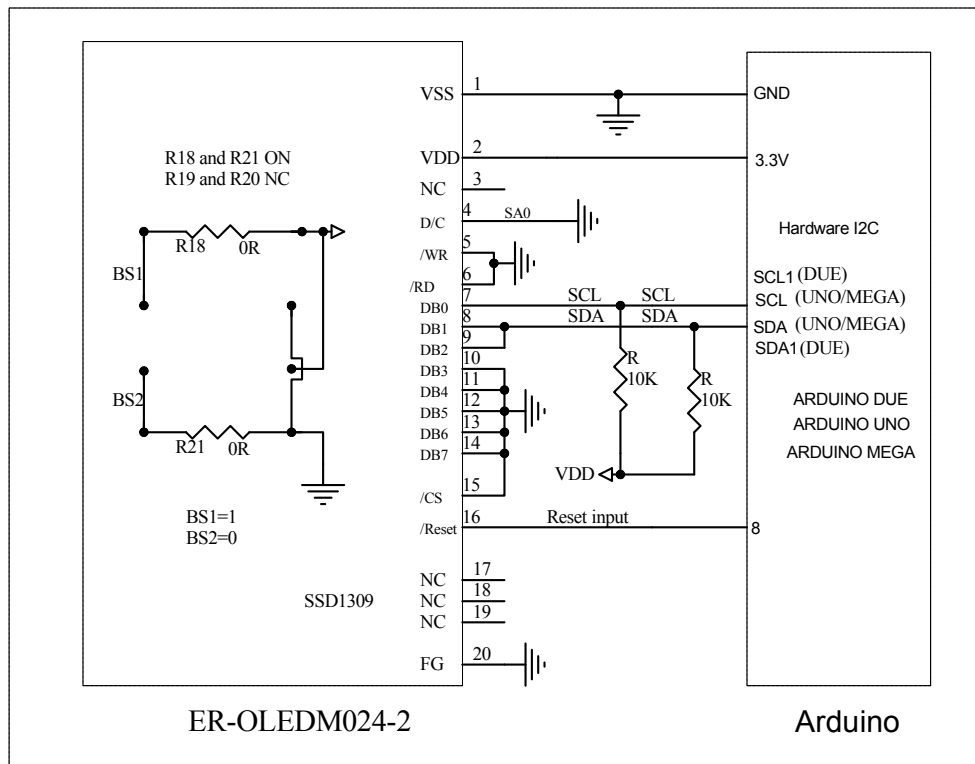


Interfacing 4-wire SPI OLED Display Module to Arduino



Interfacing 2-wire I2C OLED Display Module to Arduino



REV.	DESCRIPTION OF MODIFY	MODIFY BY	DATE
A0	1 ST DESIGN	JIM	29-Nov-2019
A1			

Title EASTRISING TECHNOLOGY CO.,LTD.		
Size A	Number ER-OLEDM024-2 Series	Revision A0
Date: 29-Nov-2019	Sheet of 1	
File	Drawn By Javen	