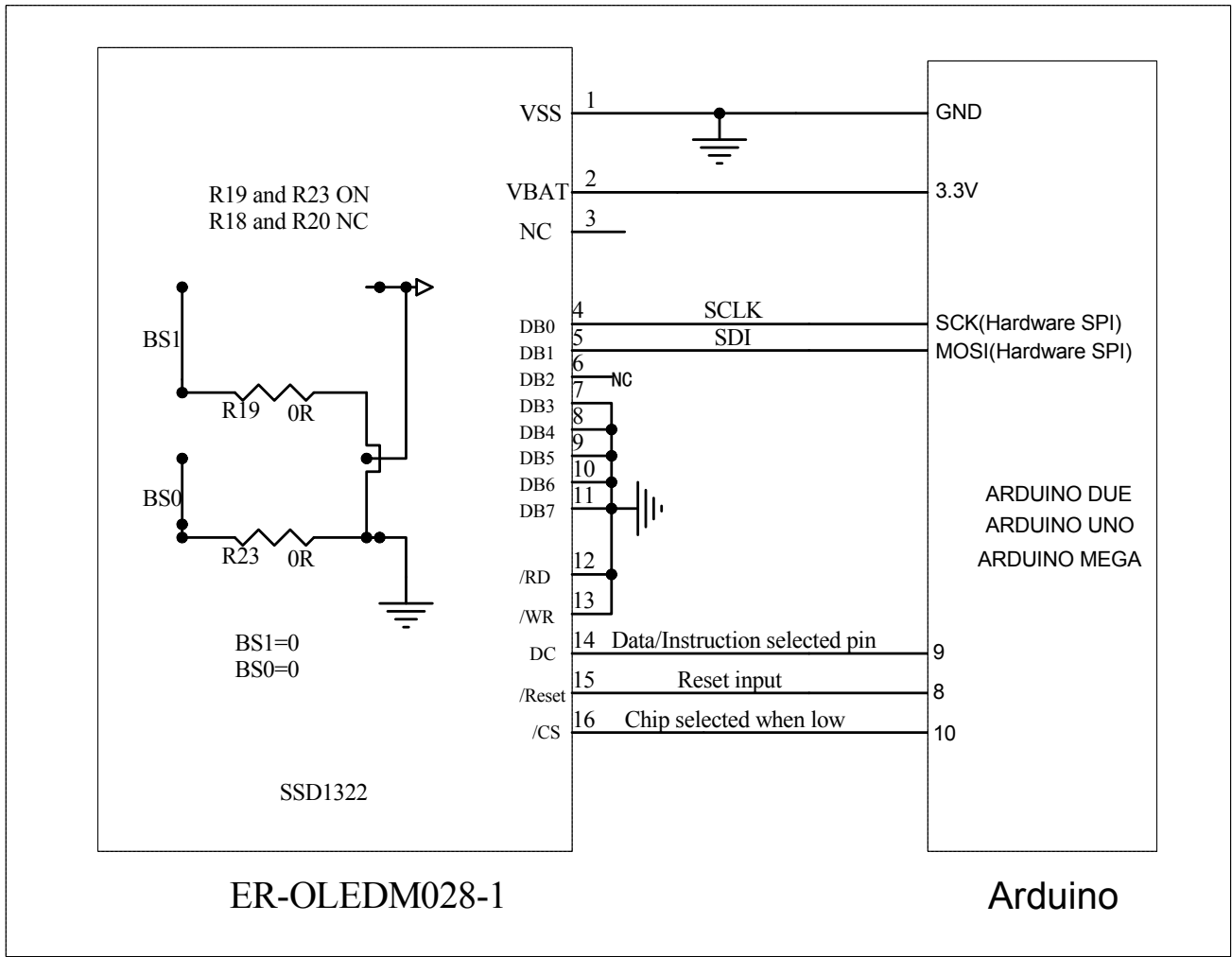


# Interfacing 4-wire SPI OLED Display Module to Arduino



REV.	DESCRIPTION OF MODIFY	MODIFY BY	DATE
A0	1 <sup>ST</sup> DESIGN	JIM	29-Nov-2019
A1			

<b>Title EASTRISING TECHNOLOGY CO.,LTD.</b>		
Size A	Number ER-OLEDM028-1 Series	Revision A0
Date: 29-Nov-2019	Sheet of 1	
File	Drawn By Javen	