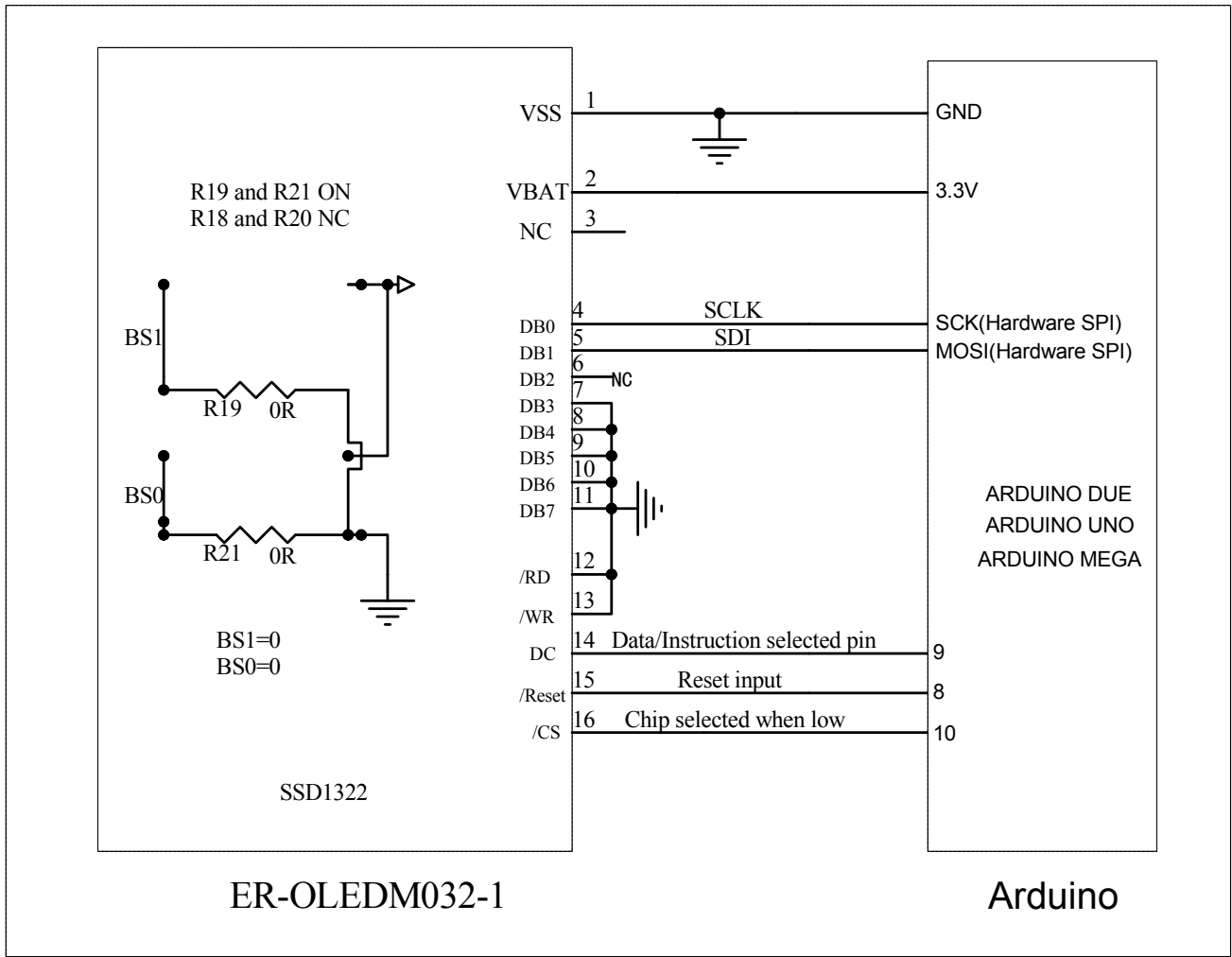


Interfacing 4-wire SPI OLED Display Module to Arduino



REV.	DESCRIPTION OF MODIFY	MODIFY BY	DATE
A0	1 ST DESIGN	JIM	29-Nov-2019
A1			

Title			EASTRISING TECHNOLOGY CO.,LTD.		
Size	Number	Revision			
A	ER-OLEDM032-1 Series	A0			
Date:	29-Nov-2019	Sheet of	1		
File		Drawn By	Javen		