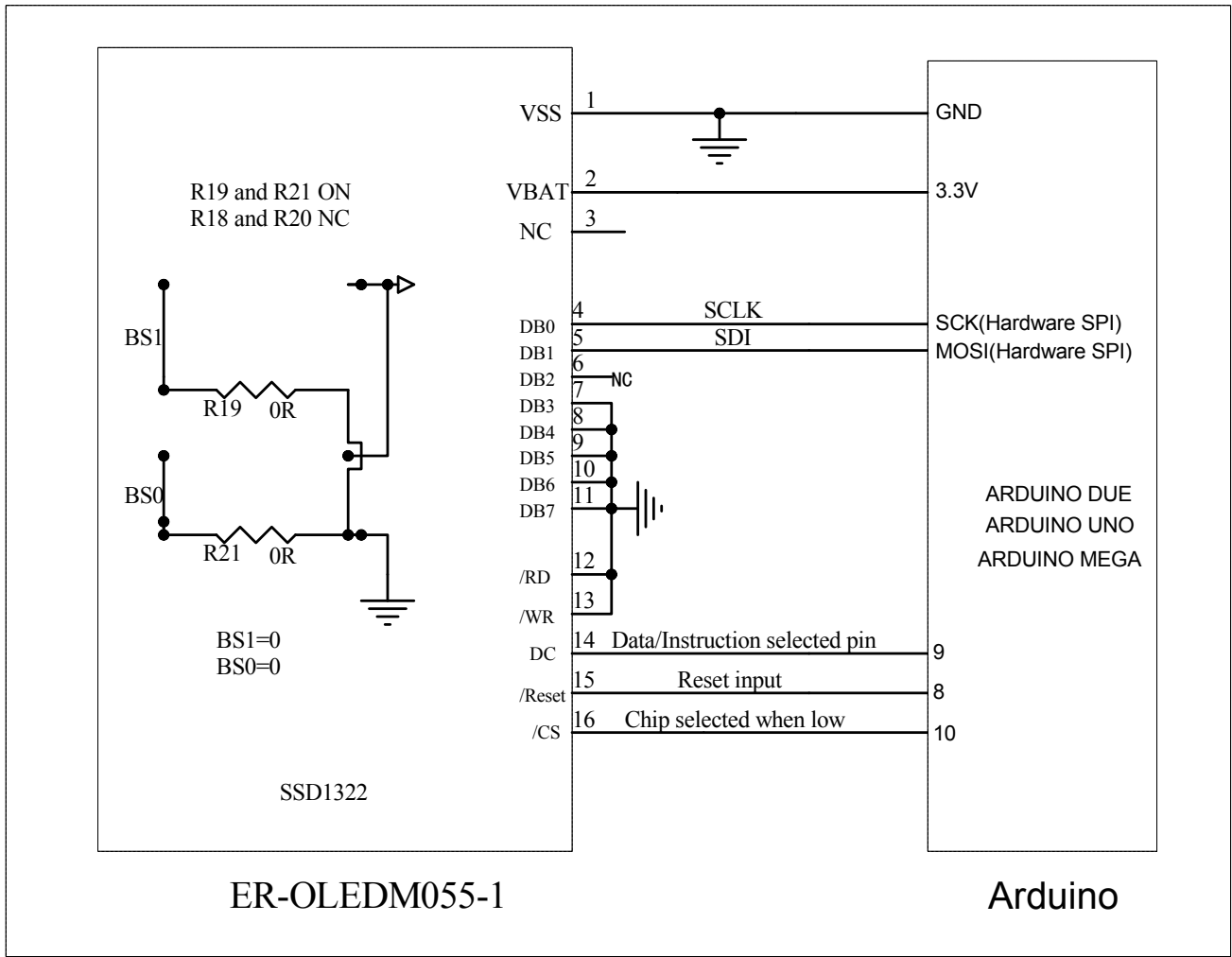


# Interfacing 4-wire SPI OLED Display Module to Arduino



REV.	DESCRIPTION OF MODIFY	MODIFY BY	DATE
A0	1 <sup>ST</sup> DESIGN	JIM	29-Nov-2019
A1			

<b>Title</b>		
<b>EASTRISING TECHNOLOGY CO.,LTD.</b>		
Size <b>A</b>	Number <b>ER-OLEDM055-1 Series</b>	Revision <b>A0</b>
Date: <b>29-Nov-2019</b>	Sheet of <b>1</b>	
File	Drawn By <b>Javen</b>	