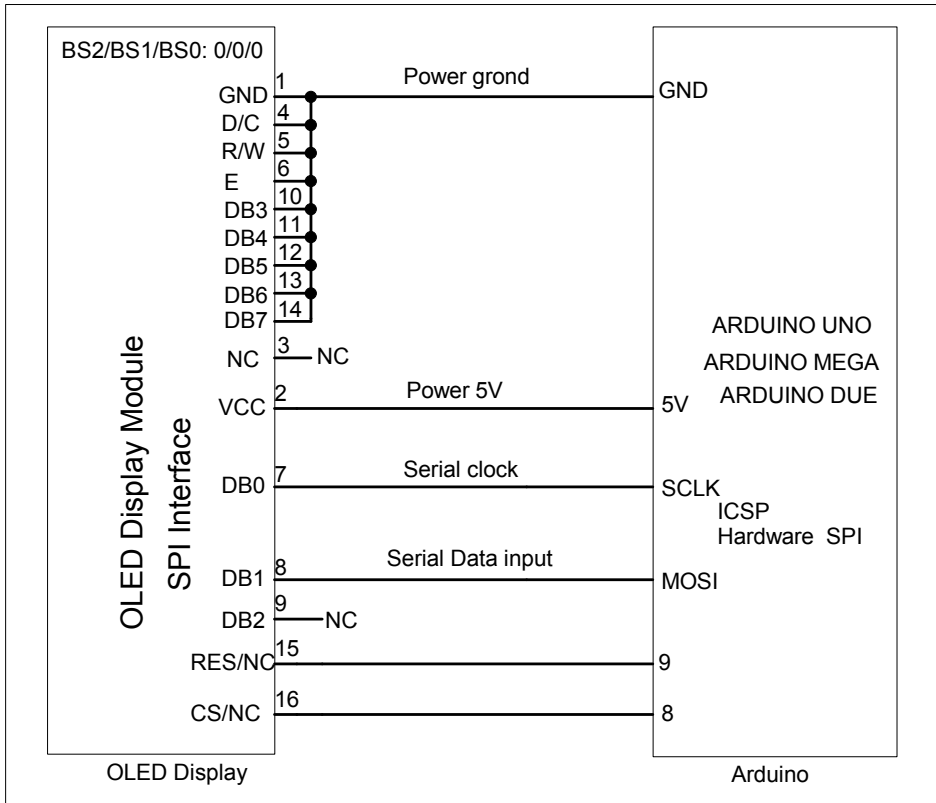


### OLED Display Module to Arduino Board (SPI Interface)

D

D



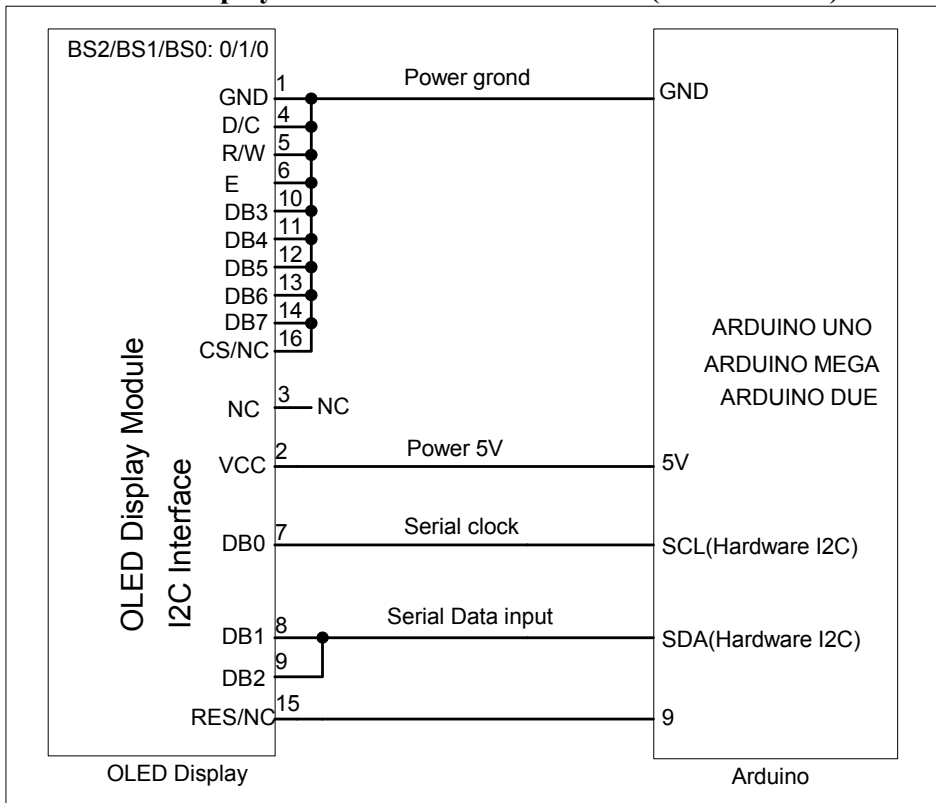
C

C

### OLED Display Module to Arduino Board (I2C Interface)

B

B



A

A

REV.	DESCRIPTION OF MODIFY	MODIFY BY	DATE
A0	1'ST DESIGN	JIM	02-Jun-2023
A1			

Title		<b>EASTRISING TECHNOLOGY CO.,LTD.</b>		<a href="http://www.buydisplay.com">www.buydisplay.com</a>	
Size	Number	Revision		A0	
A	R-OLEDM1602-5 to Arduino Board Interface				
Date:	02-Jun-2023	Sheet of	1		
File		Drawn By	Javen		