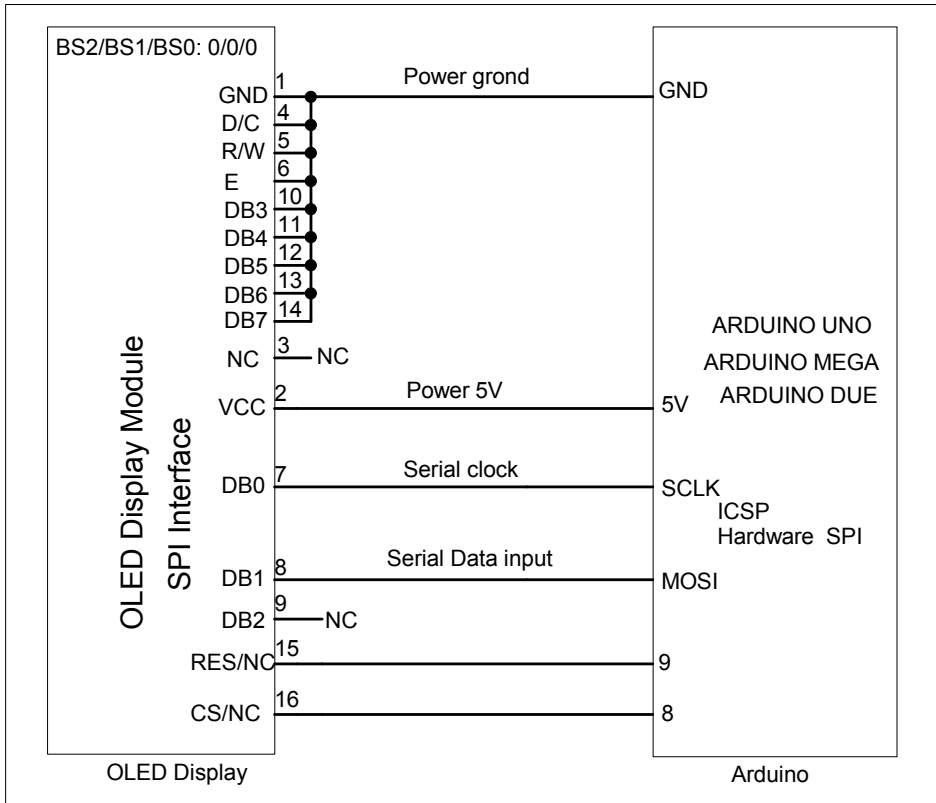
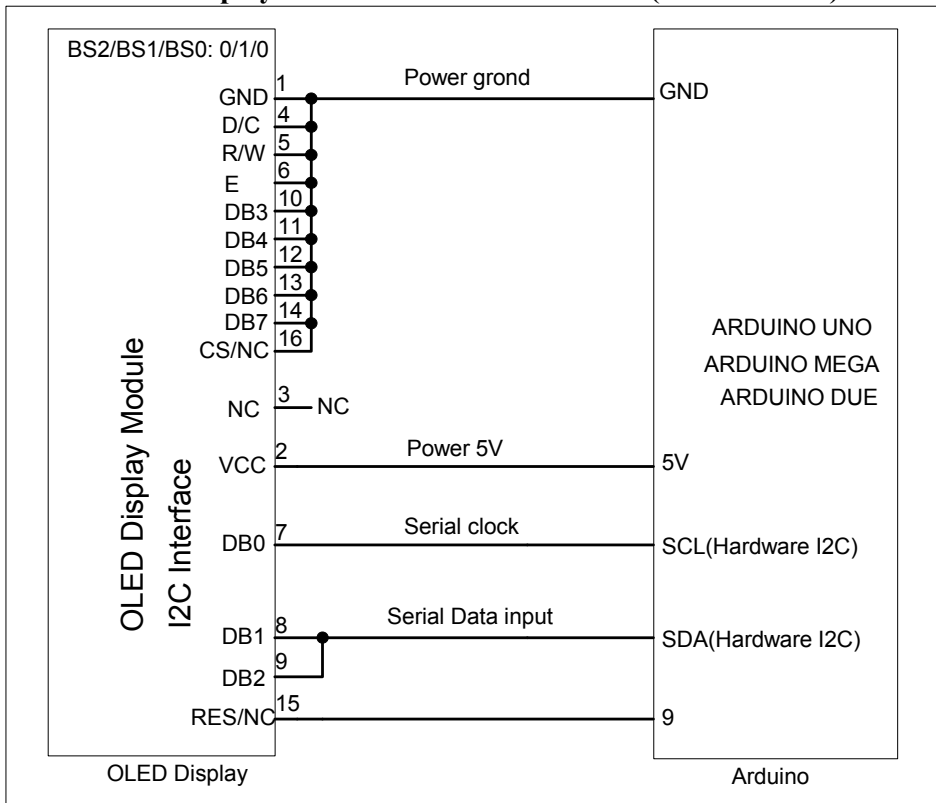


OLED Display Module to Arduino Board (SPI Interface)



OLED Display Module to Arduino Board (I2C Interface)



REV.	DESCRIPTION OF MODIFY	MODIFY BY	DATE
A0	1'ST DESIGN	JIM	02-Jun-2023
A1			

Title		EASTRISING TECHNOLOGY CO.,LTD.		www.buydisplay.com	
Size	Number	Revision		A0	
A	R-OLEDM2004-1 to Arduino Board Interface				
Date:	02-Jun-2023	Sheet of	1		
File		Drawn By	Javen		