

| REV | ECN NO | DRA | APPD | DATE |
|-----|---------------|------------|------------|------------|
| A | FIRST RELEASE | George Gao | Human Zhou | 2013.09.12 |
| | | | | |
| | | | | |

A

B

C

D

E

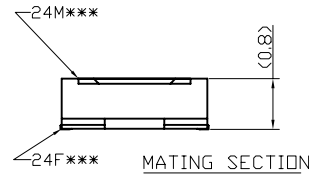
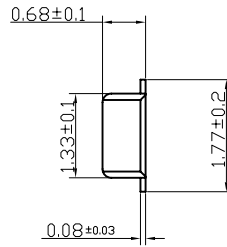
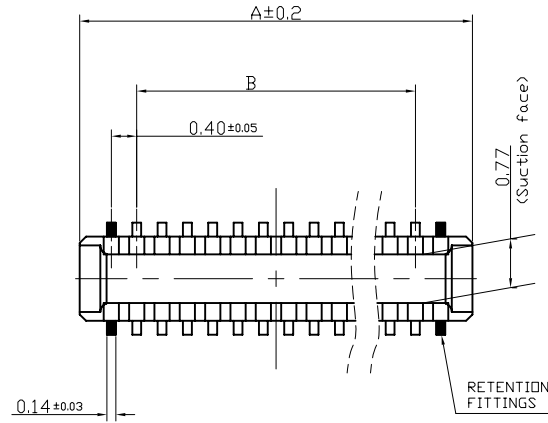
A

B

C

D

E



Specifications:

1) Material:

- 1-1. Molded portion: LCP resin (UL94 V-0)
- 1-2. Contact and Post: Copper alloy.

2) Surface treatment:

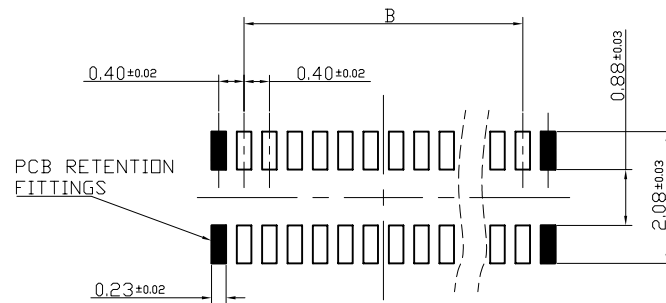
- 2-1. Terminal portion: Base: Ni plating Surface: Au plating (except the terminal tips) ; Exposed nickel portions.
- 2-2. Metal clips: Base: Ni plating Surface: Au flash plating (except the terminal tips) Or Base: Ni plating Surface: Sn flash plating (except the terminal tips)

3) Characteristics:

- 3-1. Rated voltage: 60V AC/DC
- 3-2. Rated current: 0.3A/contact (Max. 5A at total contact)
- 3-3. Insulation resistance: Min. 1000MΩ (initial)
- 3-4. Breakdown voltage: 150V AC for 1 min.
- 3-5. Saltwater spray resistance (header and socket mated): 24 hours, insulation resistance min.100MΩ, contact resistance max. 90mΩ
- 3-6. Contact resistance: Max. 90mΩ
- 3-7. Ambient temperature: -55℃~+85℃
- 3-8. Storage temperature: -55℃~+85℃ (product only); -40℃~+50℃ (emboss packing)
- 3-9. Composite insertion force: Max. 0.981N/contacts X contacts (initial)
- 3-10. Composite removal force: Min. 0.165N/contacts X contacts
- 3-11. Post holding force: Min. 0.49N/contacts
- 3-12. Insertion and removal life: 50 times

TABLE:

| | | |
|--------------------|------|------|
| 40 | 9.40 | 7.60 |
| 34 | 8.20 | 6.40 |
| 30 | 7.40 | 5.60 |
| 24 | 6.20 | 4.40 |
| 10 | 3.40 | 1.60 |
| NUMBER OF CONTACTS | A | B |



RECOMMENDED PCB LAYOUT

OK-24M***-04

HEADER

PITCH-0.4MM
NUMBER OF CONTACTS

1

2

3

4

5

6

7

8

1

2

3

4

5

6

7

8

| REV | ECN NO | DRA | APPD | DATE |
|-----|---------------|------------|------------|------------|
| A | FIRST RELEASE | George Gao | Human Zhou | 2013.09.12 |
| | | | | |
| | | | | |

A

A

B

B

C

C

D

D

E

E

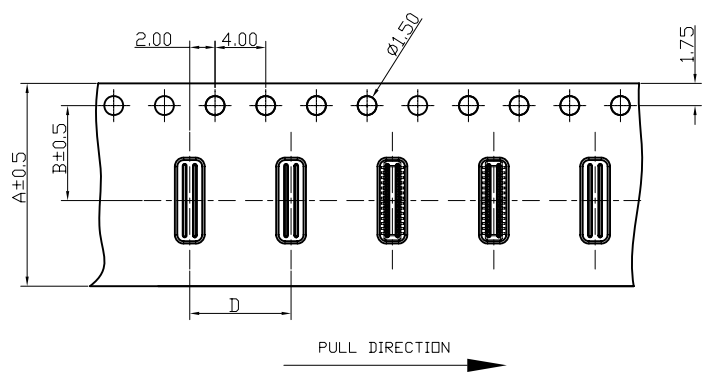
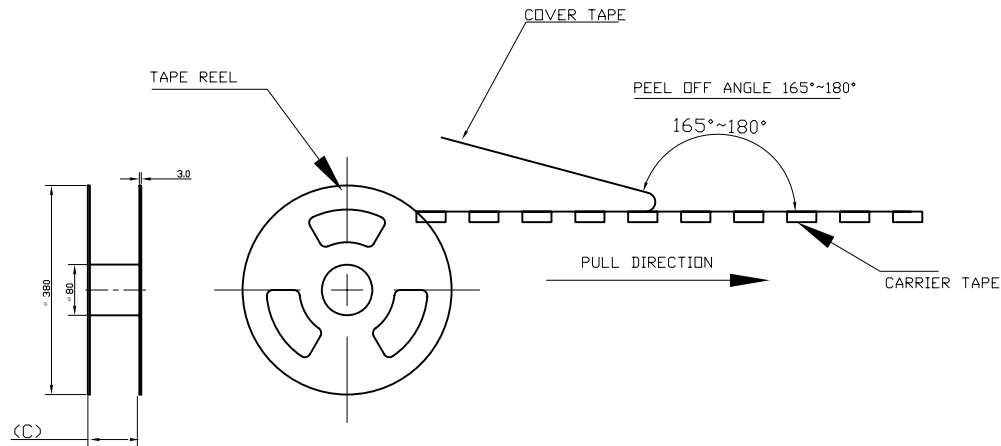

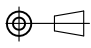


TABLE:

| | | | | | |
|--------------------|-------|-------|------|------|----------|
| 40 | 24.00 | 11.50 | 25.4 | 4.00 | 20000 |
| 34 | | | | | |
| 30 | 16.00 | 7.50 | 17.4 | | |
| 24 | | | | | |
| 10 | | | | | |
| NUMBER OF CONTACTS | A | B | C | D | QTY/REEL |

| | | | |
|---|--|---|-----------|
|  EastRising <small>buydisplay.com</small> | 旭日东方科技有限公司 EastRising Technology Co.,Ltd. <small>TEL: +86-755-33503873 FAX: +86-755-33507642-801</small> |  | CD |
| | | UNIT: MM | SIZE: A4 |
| SHEET: 1 OF 1 | | | |
| Part Number for Order: | | ER-CON0.4-24 | |
| DRAWN BY : Jim | CHECKED BY: Tony | APPROVED BY : Liu | |

1

2

3

4

5

6

7

8

1

2

3

4

5

6

7

8

| REV | ECN NO | DRA | APPD | DATE |
|-----|---------------|------------|------------|------------|
| A | FIRST RELEASE | George Gao | Human Zhou | 2013.09.18 |
| | | | | |
| | | | | |

A

B

C

D

E

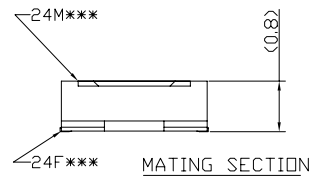
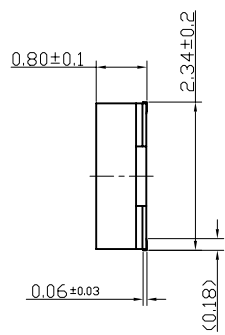
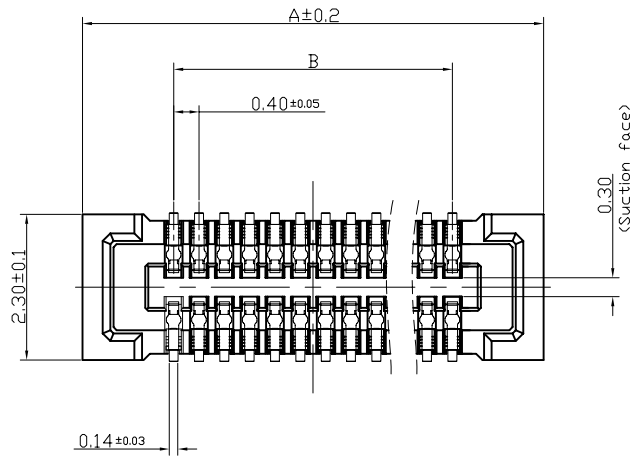
A

B

C

D

E



Specifications:

1) Material:

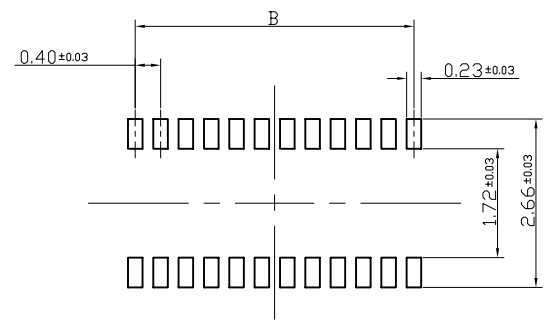
- 1-1. Molded portion: LCP resin (UL94 V-0)
- 1-2. Contact and Post: Copper alloy.

2) Surface treatment:

- 2-1. Terminal portion: Base: Ni plating Surface: Au plating (except the terminal tips) ; Exposed nickel portions.
- 2-2. Metal clips: Base: Ni plating Surface: Au flash plating (except the terminal tips) Or Base: Ni plating Surface: Sn flash plating (except the terminal tips)

3) Characteristics:

- 3-1. Rated voltage: 60V AC/DC
- 3-2. Rated current: 0.3A/contact (Max. 5A at total contact)
- 3-3. Insulation resistance: Min. 1000MΩ (initial)
- 3-4. Breakdown voltage: 150V AC for 1 min.
- 3-5. Saltwater spray resistance (header and socket mated): 24 hours, insulation resistance min.100MΩ, contact resistance max. 90mΩ
- 3-6. Contact resistance: Max. 90mΩ
- 3-7. Ambient temperature: -55℃~+85℃
- 3-8. Storage temperature: -55℃~+85℃ (product only); -40℃~+50℃ (emboss packing)
- 3-9. Composite insertion force: Max. 0.981N/contacts X contacts (initial)
- 3-10. Composite removal force: Min. 0.165N/contacts X contacts
- 3-11. Post holding force: Min. 0.49N/contacts
- 3-12. Insertion and removal life: 50 times



RECOMMENDED PCB LAYOUT

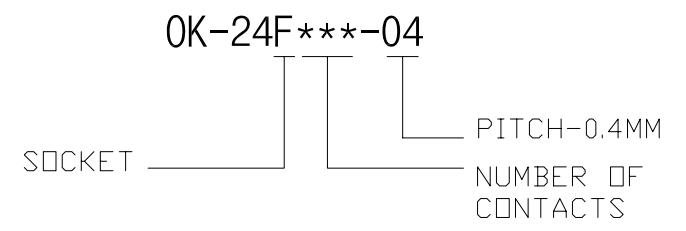


TABLE:

| | | |
|--------------------|-------|------|
| 40 | 10.48 | 7.60 |
| 34 | 9.28 | 6.40 |
| 30 | 8.48 | 5.60 |
| 24 | 7.28 | 4.40 |
| 10 | 4.48 | 1.60 |
| NUMBER OF CONTACTS | A | B |

1

2

3

4

5

6

7

8

| REV | ECN NO | DRA | APPD | DATE |
|-----|---------------|------------|------------|------------|
| A | FIRST RELEASE | George Gao | Human Zhou | 2013.09.12 |
| | | | | |
| | | | | |

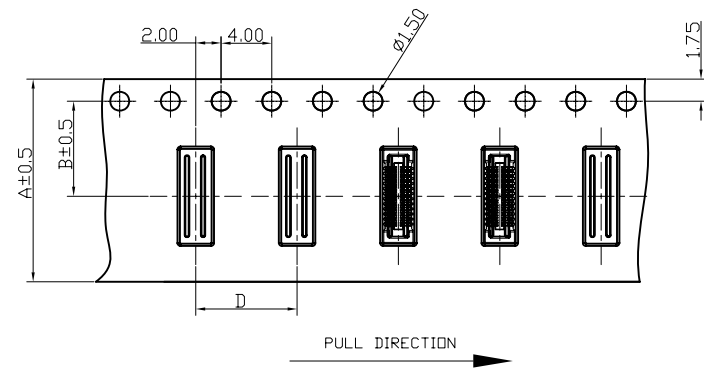
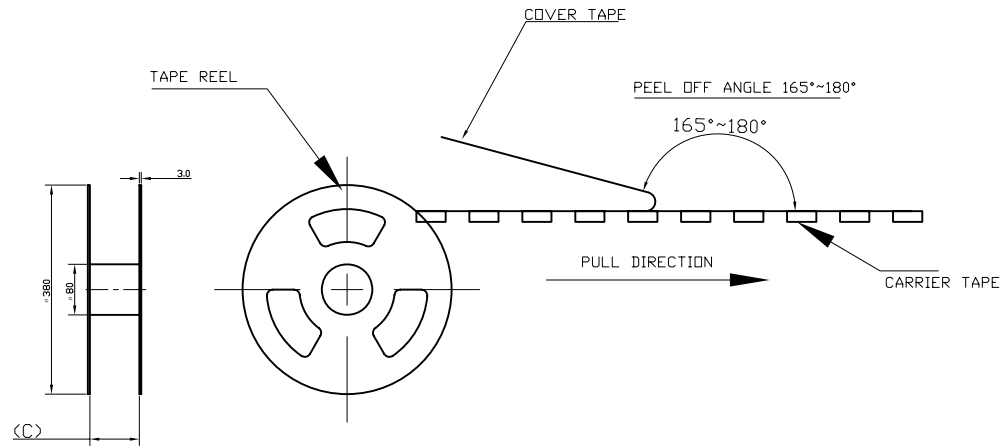

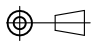


TABLE:

| | | | | | |
|--------------------|-------|-------|------|------|----------|
| 40 | 24.00 | 11.50 | 25.4 | 8.00 | 10000 |
| 34 | 24.00 | 11.50 | 25.4 | 4.00 | 20000 |
| 30 | 16.00 | 7.50 | 17.4 | | |
| 24 | | | | | |
| 10 | | | | | |
| NUMBER OF CONTACTS | A | B | C | D | QTY/REEL |

| | | | | |
|---|---|-------------------------|---|-----------|
|  EastRising <small>buydisplay.com</small> | 旭日东方科技有限公司 EastRising Technology Co.,Ltd. <small>TEL: +86-755-33503873 FAX: +86-755-33507642-801</small> | |  | CD |
| | UNIT: MM | | SIZE: A4 | |
| | SHEET: 1 OF 1 | | | |
| Part Number for Order: | | ER-CON0.4-24 | | |
| DRAWN BY : Jim | | CHECKED BY: Tony | APPROVED BY : Liu | |