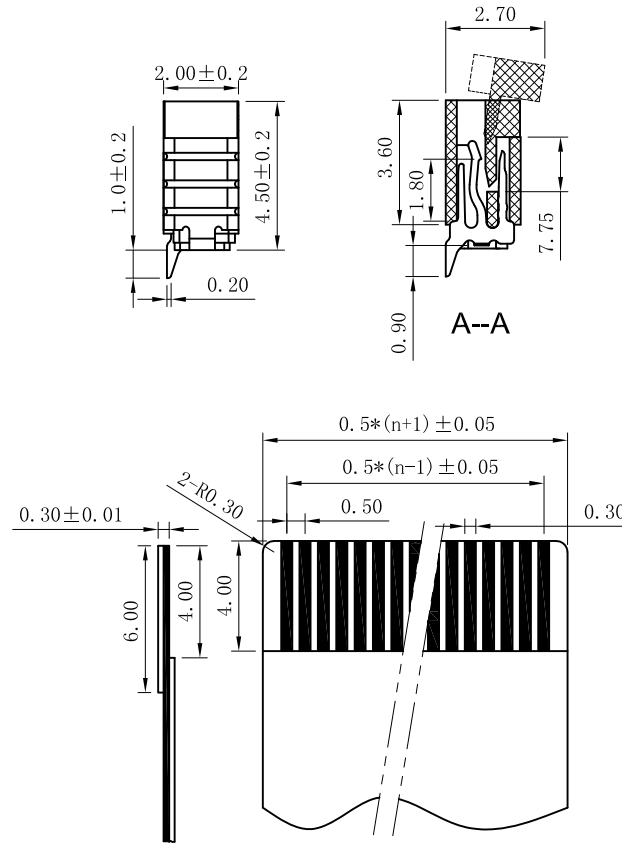
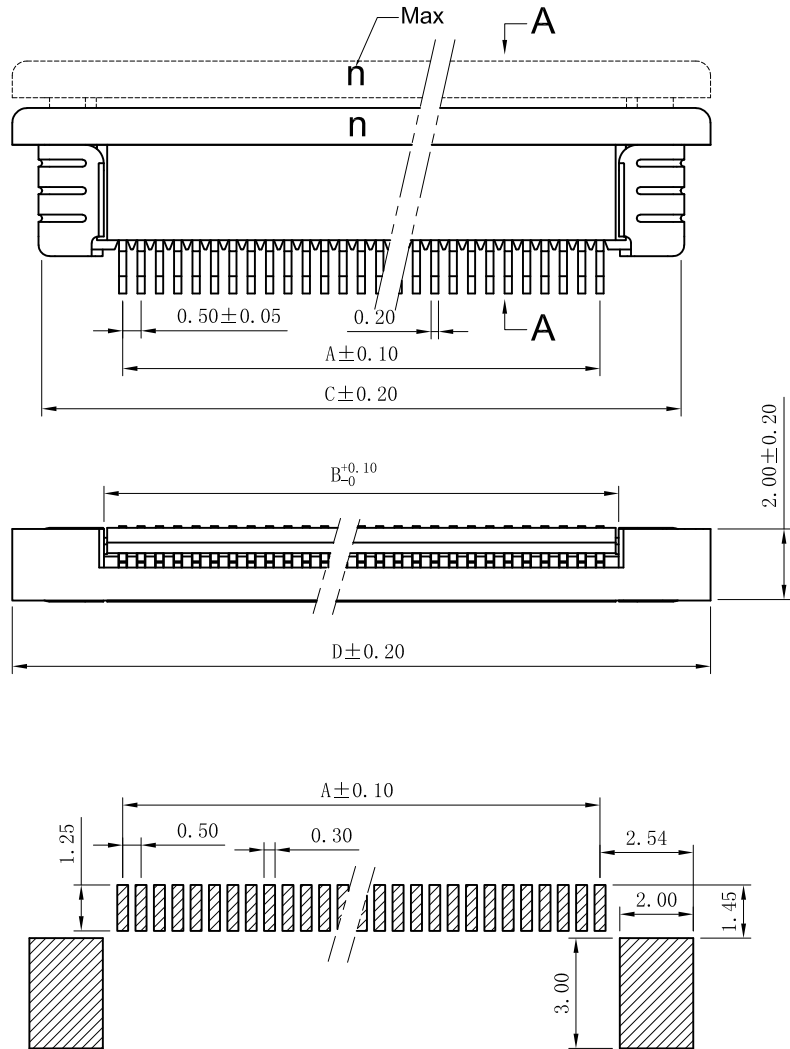


12 PINS 0.5 Pitch SMD Horizontal Type Bottom Contact

Ver	Date	Description
1.0	Jul-29-2023	Preliminary Release



Pin Num	A	B	C	D
12	5.50	6.60	10.35	11.65

Material:

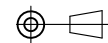
- 1、Housing: NYlon46 UL94V-0 Grey;
- 2、Loeker: PPS UL94V-0;
- 3、Contact: Phosphor bronze, tin/lead-plated;
- 4、Solder tab: Phosphor bronze, tin/lead-plated.

Specification:

- 1、Unverified Tolerance should comply with SJ1372-79;
- 2、Temperature Range: -25°C ~ 85°C ;
- 3、Rated Voltage: 50V, AC, DC;
- 4、Contact Resistance: $\leq 0.03 \Omega$;
- 5、Insulation Resistance: $\geq 500\text{M} \Omega$;
- 6、Withstand Voltage: 500V, AC/minute.



旭日东方科技有限公司
EastRising Technology Co., Ltd.
www.lcd-china.com TEL: +86-755-33503873 FAX: +86-755-33507642-801



UNIT: MM

CD

SIZE: A4

SHEET: 1 OF 1

Part Number for Order: ER-CON12HB -1

DRAWN BY : Jim

CHECKED BY: Tony

APPROVED BY : Liu