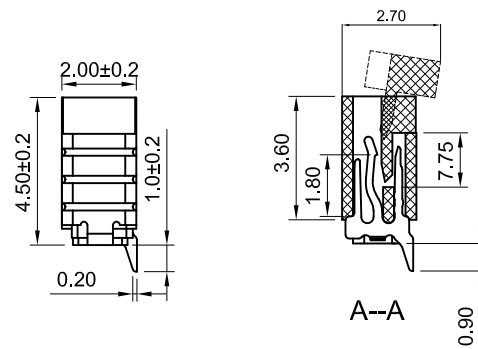
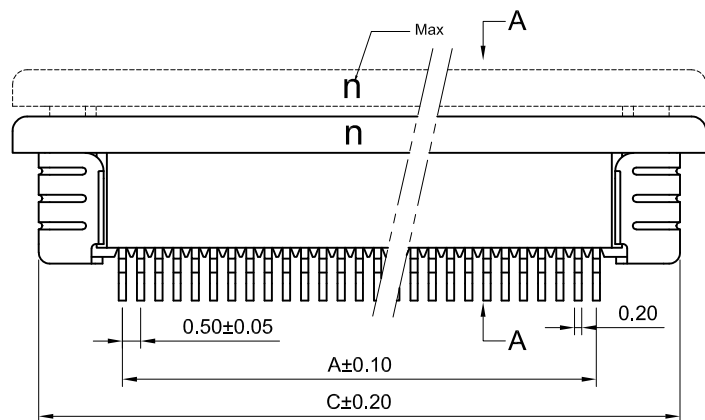


12 PINS 0.5 Pitch SMD Horizontal Type Top Contact

| Ver | Date | Description |
|-----|-------------|---------------------|
| 1.0 | Jun-01-2023 | Preliminary Release |



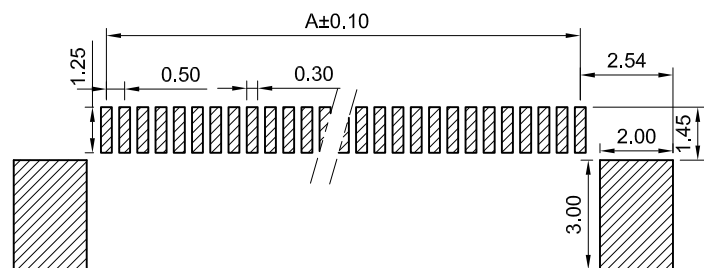
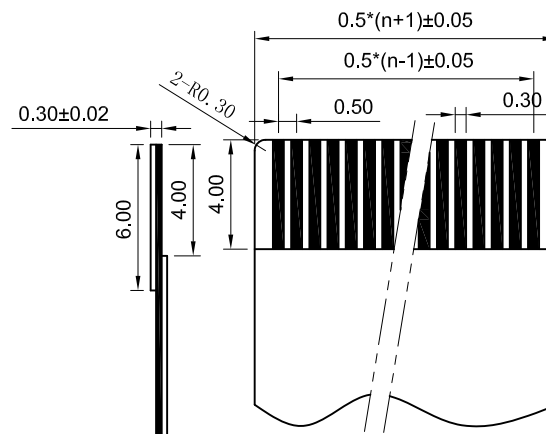
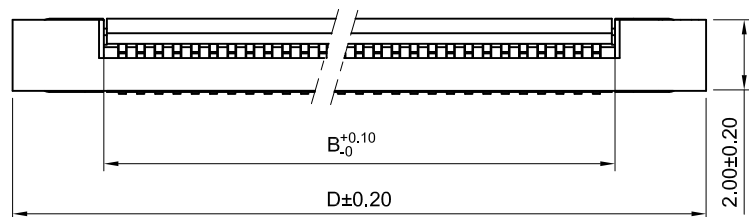
| Pin Num | A | B | C | D |
|---------|------|------|-------|-------|
| 12 | 5.50 | 6.60 | 10.35 | 11.65 |


Material:

- 1、Housing: NYlon46 UL94V-0 Grey;
- 2、Loeker: PPS UL94V-0;
- 3、Contact: Phosphor bronze, tin/lead-plated;
- 4、Solder tab: Phosphor bronze, tin/lead-plated.

Specification:

- 1、Unverified Tolerance should comply with SJ1372-79;
- 2、Temperature Range: -25° C~85° C;
- 3、Rated Voltage: 50V, AC, DC;
- 4、Contact Resistance: $\leq 0.03 \Omega$;
- 5、Insulation Resistance: $\geq 500M \Omega$;
- 6、Withstand Voltage: 500V, AC/minute.



| | | |
|---|---|-------------------|
|  旭日东方科技有限公司 EastRising Technology Co.,Ltd. www.lcd-china.com TEL: +86-755-33503873 FAX: +86-755-33507642-801 |  | CD |
| | UNIT: MM | SIZE: A4 |
| | SHEET: 1 OF 1 | |
| Part Number for Order: ER-CON12HT-1 | | |
| DRAWN BY : Jim | CHECKED BY: Tony | APPROVED BY : Liu |