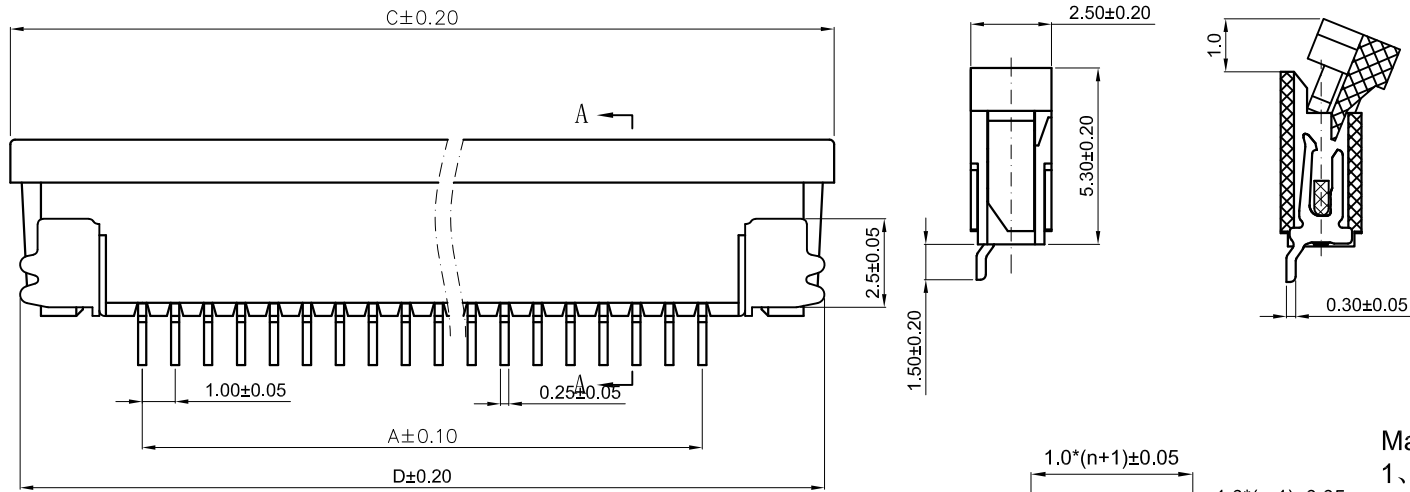
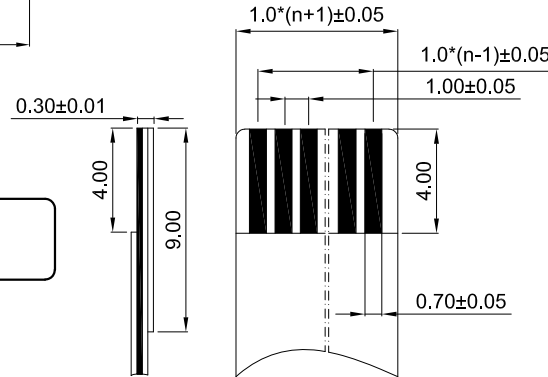
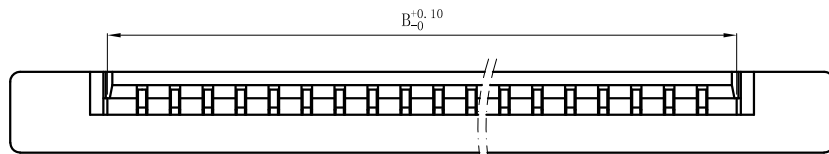


14 PINS 1.0 Pitch SMD Horizontal Type Bottom Contact

Ver	Date	Description
1.0	Jul-22-2023	Preliminary Release



Pin Num	A	B	C	D
14	13.00	15.3	21.1	20.1

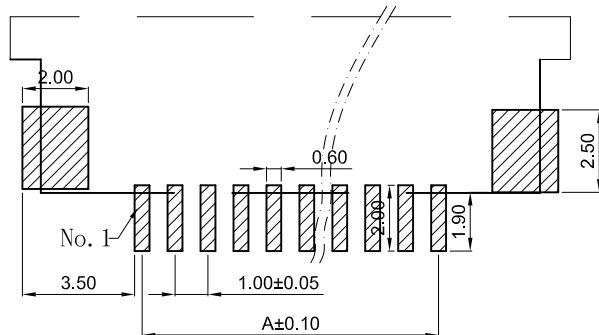



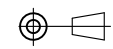
Material:

- 1、Housing: NYlon46 UL94V-0 Grey;
- 2、Loeker: PPS UL94V-0;
- 3、Contact: Phosphor bronze, tin/lead-plated;
- 4、Solder tab: Phosphor bronze, tin/lead-plated.

Specification:

- 1、Unverified Tolerance should comply with SJ1372-79;
- 2、Temperature Range: -25°C~85°C;
- 3、Rated Voltage: 50V, AC, DC;
- 4、Contact Resistance: $\leq 0.03 \Omega$;
- 5、Insulation Resistance: $\geq 500M \Omega$;
- 6、Withstand Voltage: 500V, AC/minute.



 旭日东方科技有限公司 EastRising Technology Co., Ltd. buy-display.com TEL: +86-755-33503873 FAX: +86-755-33507642-801		CD
	UNIT: MM	SIZE: A4
SHEET: 1 OF 1		
Part Number for Order:		ER-CON14HB-2
DRAWN BY : Jim	CHECKED BY: Tony	APPROVED BY : Liu