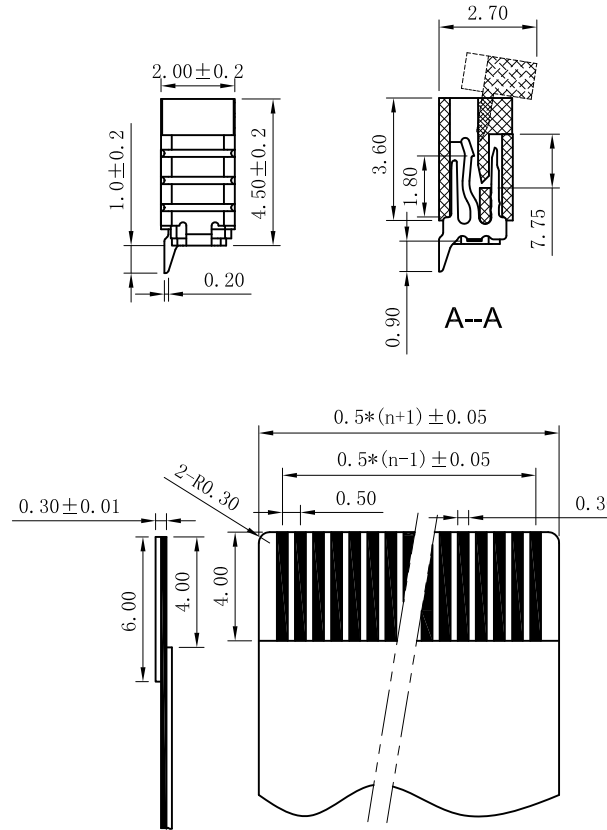
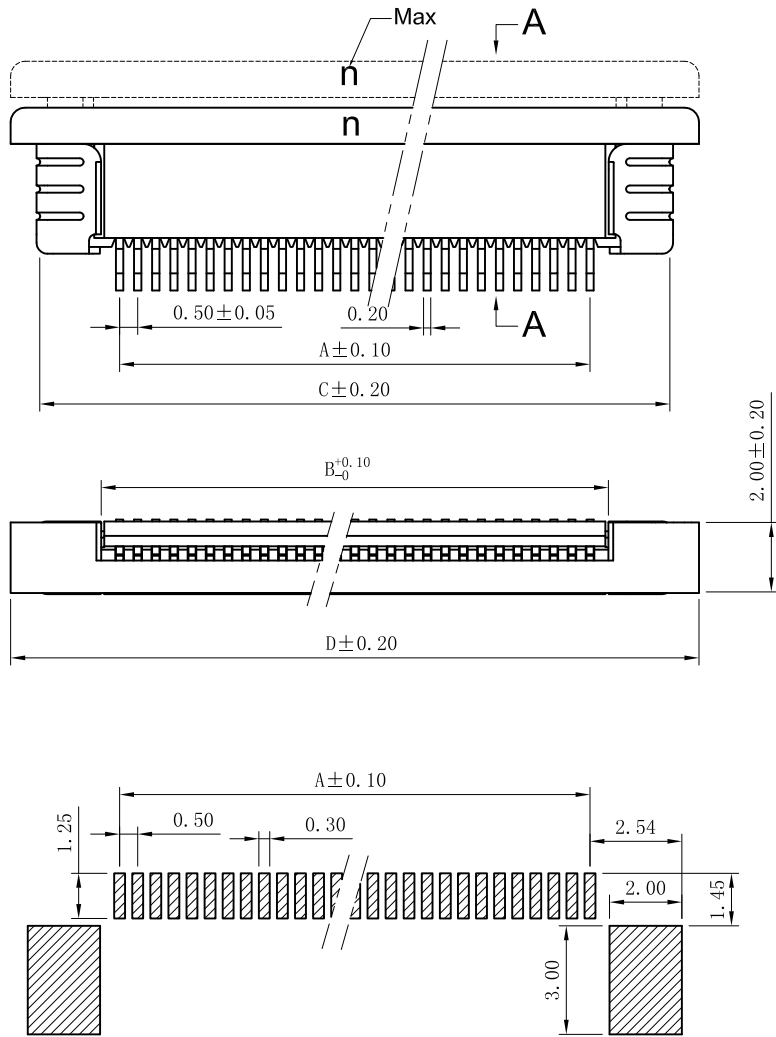


# 23 PINS 0.5 Pitch SMD Horizontal Type Bottom Contact

Ver	Date	Description
1.0	May-16-2018	Preliminary Release



Pin Num	A	B	C	D
23	11.00	12.10	15.85	17.15

### Material:

- 1、Housing: NYlon46 UL94V-0 Grey;
- 2、Loeker: PPS UL94V-0;
- 3、Contact: Phosphor bronze, tin/lead-plated;
- 4、Solder tab: Phosphor bronze, tin/lead-plated.

### Specification:

- 1、Unverified Tolerance should comply with SJ1372-79;
- 2、Temperature Range: -25°C~85°C;
- 3、Rated Voltage: 50V, AC, DC;
- 4、Contact Resistance: ≤ 0.03 Ω;
- 5、Insulation Resistance: ≥ 500M Ω;
- 6、Withstand Voltage: 500V, AC/minute.

 <b>旭日东方科技有限公司</b> <b>EastRising Technology Co.,Ltd.</b> buydisplay.com TEL: +86-755-33503873 FAX: +86-755-33507642-801		CD
	UNIT: MM	SIZE: A4
SHEET: 1 OF 1		
Part Number :		ER-CON23HB -1
DRAWN BY : Jim	CHECKED BY: Tony	APPROVED BY : Liu