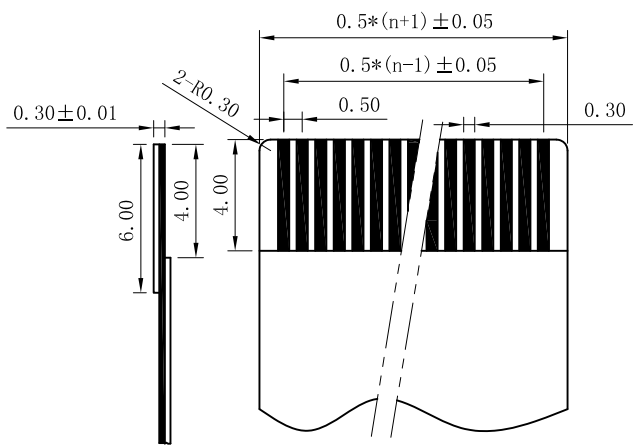
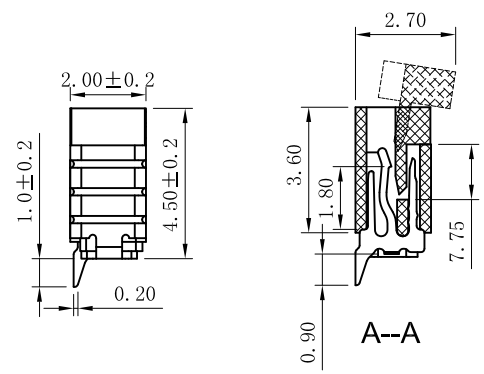
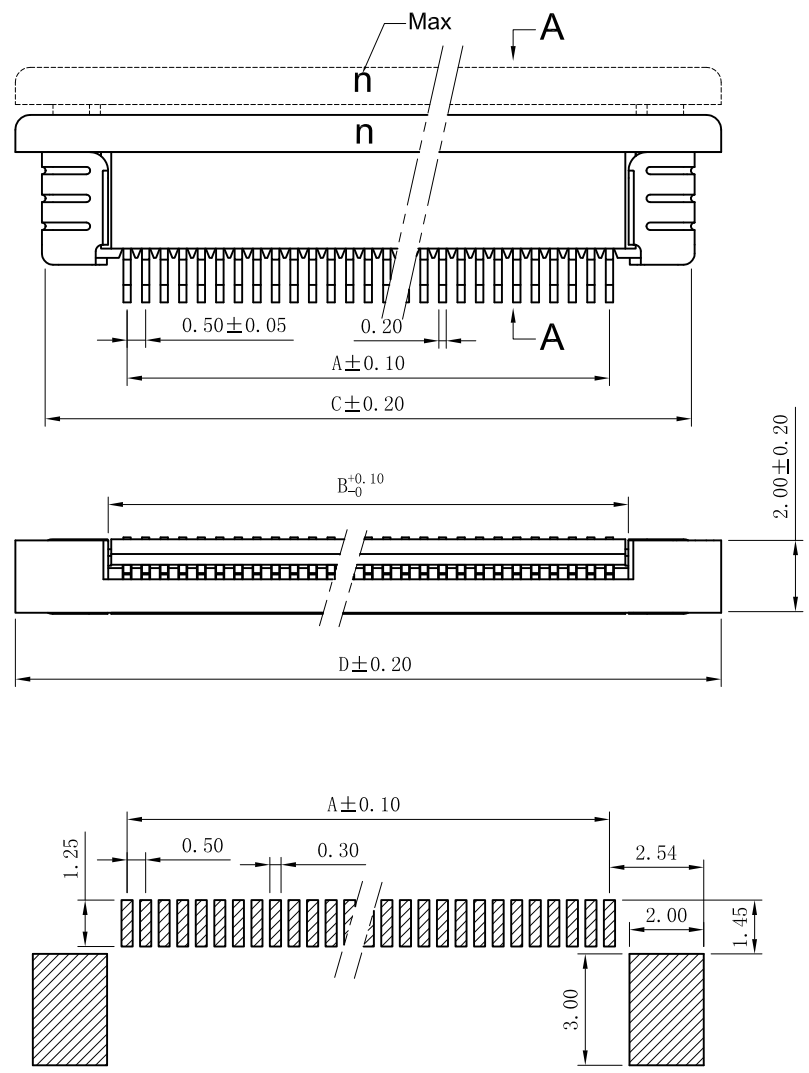


26 PINS 0.5 Pitch SMD Horizontal Type Bottom Contact


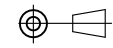
Ver	Date	Description
1.0	July-26-2012	Preliminary Release



Pin Num	A	B	C	D
26	12.50	13.60	17.35	18.65

- Material:**
- 1、Housing: NYlon46 UL94V-0 Grey;
 - 2、Loeker: PPS UL94V-0;
 - 3、Contact: Phosphor bronze, tin/lead-plated;
 - 4、Solder tab: Phosphor bronze, tin/lead-plated.

- Specification:**
- 1、Unverified Tolerance should comply with SJ1372-79;
 - 2、Temperature Range: $-25^{\circ}C \sim 85^{\circ}C$;
 - 3、Rated Voltage: 50V, AC, DC;
 - 4、Contact Resistance: $\leq 0.03 \Omega$;
 - 5、Insulation Resistance: $\geq 500M \Omega$;
 - 6、Withstand Voltage: 500V, AC/minute.

 旭日东方科技有限公司 EastRising Technology Co., Ltd. <small>www.lcd-china.com TEL: +86-755-33503873 FAX: +86-755-33507642-801</small>		CD
	UNIT: MM	SIZE: A4
	SHEET: 1 OF 1	
Part Number for Order: ER-CON26HB -1		
DRAWN BY : Jim	CHECKED BY: Tony	APPROVED BY : Liu