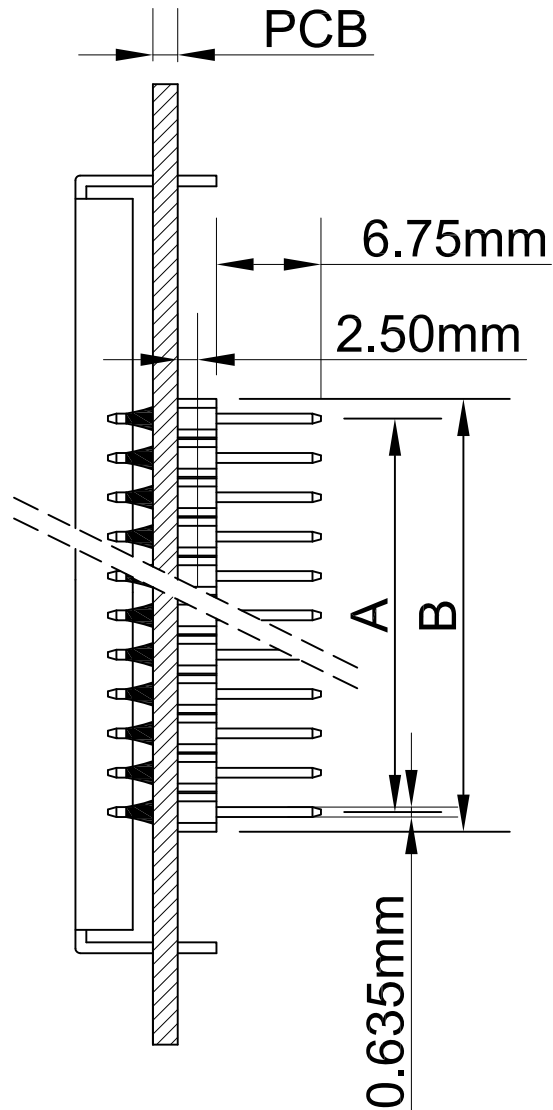


# 22 Pins, 2.54mm Pitch, Double Row Pin Header Drawing

Ver	Date	Description
1.0	May-01-2013	Preliminary Release



Pin Num	A	B
<b>22</b>	<b>25.4mm</b>	<b>27.94mm</b>

Note: Tolerance for all dimension is  $\pm 0.30\text{mm}$

 旭日东方科技有限公司 EastRising Technology Co.,Ltd. buy-display.com TEL: +86-755-33503873 FAX: +86-755-33507642-801	 CD
	UNIT: MM      SIZE: A4 SHEET: 1 OF 1
Part Number for Order: ER-PHD22-1	
DRAWN BY : Jim	CHECKED BY Tony APPROVED BY Liu