
GC9307

**a-Si TFT LCD Single Chip Driver
240RGBx320 Resolution and 262K color**

DataSheet

Version: V1.01
Created Date: 2018/04/24

List Of Contents

GC9307	1
List Of Contents	2
1. Introduction.....	6
2. Features	7
3. Block Diagram	8
3.1. Block diagram	8
3.2. Pin Description.....	9
3.3 PAD coordinates.....	14
4. Interface setting	20
4.1. MCU interfaces	20
4.1.1. MCU interface selection.....	20
4.1.2. 8080-I Series Parallel Interface.....	21
4.1.3. Write Cycle Sequence	22
4.1.4. Read Cycle Sequence	23
4.1.5. 8080- II Series Parallel Interface.....	24
4.1.6. Write Cycle Sequence	25
4.1.7. Read Cycle Sequence	26
Serial Interface	27
4.1.8. Write Cycle Sequence	28
4.1.9. Read Cycle Sequence	30
4.1.10. Data Transfer Break and Recovery.....	32
4.1.11. Data Transfer Pause.....	34
4.1.12. Serial Interface Pause (3_wire)	35
4.1.13. Parallel Interface Pause	35
4.1.14. Data Transfer Mode.....	35
4.1.15. Data Transfer Method 1.....	36
4.1.16. Data Transfer Method 2.....	36
4.2. RGB Interface	37
4.2.1. RGB Interface Selection.....	37
4.2.2. RGB Interface Timing	40
4.3. VSYNC Interface	43
4.4. Display Data RAM (DDRAM)	44
4.5. Display Data Format	44
4.5.1. 3-line Serial Interface	44
4.5.2. 4-line Serial Interface	47
4.5.3. 2-data-line mode.....	49
4.5.4. 8-bit Parallel MCU Interface	51
4.5.5. 9-bit Parallel MCU Interface	54
4.5.6. 16-bit Parallel MCU Interface	56
4.5.7. 18-bit Parallel MCU Interface	62
4.5.8. 6-bit Parallel RGB Interface.....	66

4.5.9.	16-bit Parallel RGB Interface.....	67
4.5.10.	18-bit Parallel RGB Interface.....	68
5.	Function Description.....	69
5.1.	Display data GRAM mapping.....	69
5.2.	Address Counter (AC) of GRAM.....	69
5.3.	GRAM to display address mapping.....	72
5.3.1.	Normal display on or partial mode on, vertical scroll off.....	74
5.3.2.	Vertical scroll display mode.....	76
5.3.3.	Updating order on display active area in RGB interface mode.....	79
5.4.	Tearing effect output line.....	81
5.4.1.	Tearing effect line modes.....	81
5.4.2.	Tearing effect line timing.....	82
5.5.	Source driver.....	83
5.6.	Gate driver.....	83
5.7.	Scan mode setting.....	84
5.8.	LCD power generation circuit.....	85
5.8.1.	Power supply circuit.....	85
5.8.2.	LCD power generation scheme.....	86
5.9.	Gamma Correction.....	87
5.10.	Power Level Definition.....	90
5.10.1.	Power Levels.....	90
5.10.2.	Power Flow Chart.....	91
5.10.3.	Brightness control block.....	92
5.11.	Input/output pin state.....	93
5.11.1.	Output pins.....	93
5.11.2.	Input pins.....	93
6.	Command.....	94
6.1.	Command List.....	94
6.2.	Description of Level 1 Command.....	99
6.2.1.	Read display identification information (04h).....	100
6.2.2.	Read Display Status (09h).....	101
6.2.3.	Enter Sleep Mode (10h).....	103
6.2.4.	Sleep Out Mode (11h).....	104
6.2.5.	Partial Mode ON (12h).....	106
6.2.6.	Normal Display Mode ON (13h).....	107
6.2.7.	Display Inversion OFF (20h).....	108
6.2.8.	Display Inversion ON (21h).....	109
6.2.9.	Display OFF (28h).....	110
6.2.10.	Display ON (29h).....	111
6.2.11.	Column Address Set (2Ah).....	112
6.2.12.	Row Address Set (2Bh).....	114
6.2.13.	Memory Write (2Ch).....	116
6.2.14.	Partial Area (30h).....	117
6.2.15.	Vertical Scrolling Definition (33h).....	120

6.2.16.	Tearing Effect Line OFF (34h)	124
6.2.17.	Tearing Effect Line ON (35h)	125
6.2.18.	Memory Access Control(36h)	127
6.2.19.	Vertical Scrolling Start Address (37h)	130
6.2.20.	Idle Mode OFF (38h)	132
6.2.21.	Idle Mode ON (39h)	133
6.2.22.	COLMOD: Pixel Format Set (3Ah)	135
6.2.23.	Write Memory Contiuue (3Ch)	137
6.2.24.	Set_Tear_Scanline (44h)	139
6.2.25.	Get_Scanline (45h).....	141
6.2.26.	Write Display Brightness (51h).....	142
6.2.27.	Write CTRL Display (53h).....	143
6.2.28.	Read ID1 (DAh)	145
6.2.29.	Read ID2 (DBh)	147
6.2.30.	Read ID3 (DCh)	149
6.3.	Description of Level 2 Command	150
6.3.1.	RGB Interface Signal Control (B0h).....	150
6.3.2.	Blanking Porch Control (B5h).....	152
6.3.3.	Display Function Control (B6h).....	154
6.3.4.	Interface Control (F6h).....	157
6.4.	Description of Level 3 Command	159
6.4.1.	Frame Rate (E8h)	159
6.4.2.	SPI 2DATA control(E9h).....	161
6.4.3.	Power Control 1 (C1h)	162
6.4.4.	Power Control 2 (C3h)	163
6.4.5.	Power Control 3 (C4h)	164
6.4.6.	Power Control 4 (C9h)	165
6.4.7.	Power Control 6 (ECh).....	166
6.4.8.	Power Control 7(A7h)	168
6.4.9.	Inter Register Enable1(FEh).....	169
6.4.10.	Inter Register Enable2(EFh).....	170
6.4.11.	SET_GAMMA1 (F0h)	171
6.4.12.	SET_GAMMA2 (F1h)	173
6.4.13.	SET_GAMMA3 (F2h)	175
6.4.14.	SET_GAMMA4 (F3h)	177
7.	Application.....	179
8.	Electrical Characteristics.....	180
8.1.	Absolute Maximum Ratings.....	180
8.2.	DC Characteristics.....	181
8.3.	AC Characteristics.....	182
8.3.1.	Display Parallel 18/16/9/8-bit Interface Timing Characteristics (8080- I)	182
8.3.2.	Display Parallel 18/16/9/8-bit Interface Timing Characteristics (8080- II)	184
8.3.3.	Display Serial Interface Timing Characteristics (3-line SPI system)	186
8.3.4.	Display Serial Interface Timing Characteristics (4-line SPI system)	187

8.3.5. Parallel 18/16/6-bit RGB Interface Timing Characteristics.....	188
9. Revision History.....	190

1. Introduction

The GC9307 is a 262,144-color single-chip SOC driver for a-TFT liquid crystal display with resolution of 240RGBx320dots, comprising a 720-channel source driver, a 320-channel gate driver, 172,800 bytes GRAM for graphic display data of 240RGBx320 dots, and power supply circuit.

The GC9307 supports parallel 8-/9-/16-/18-bit data bus MCU interface, 6-/16-/18-bit data bus RGB interface and 3-/4-line serial peripheral interface (SPI) and 2 lane SPI data transmission. The moving picture area can be specified in internal GRAM by window address function. The specified window area can be updated selectively, so that moving picture can be displayed simultaneously independent of still picture area.

The GC9307 can operate with 1.65V ~ 3.3V I/O interface voltage and an incorporated voltage follower circuit to generate voltage levels for driving an LCD. GC9307 supports full color, 8-color display mode and sleep mode for precise power control by software and these features make the GC9307 an ideal LCD driver for medium or small size portable products such as digital cellular phones, smart phone, MP3 and PMP where long battery life is a major concern.

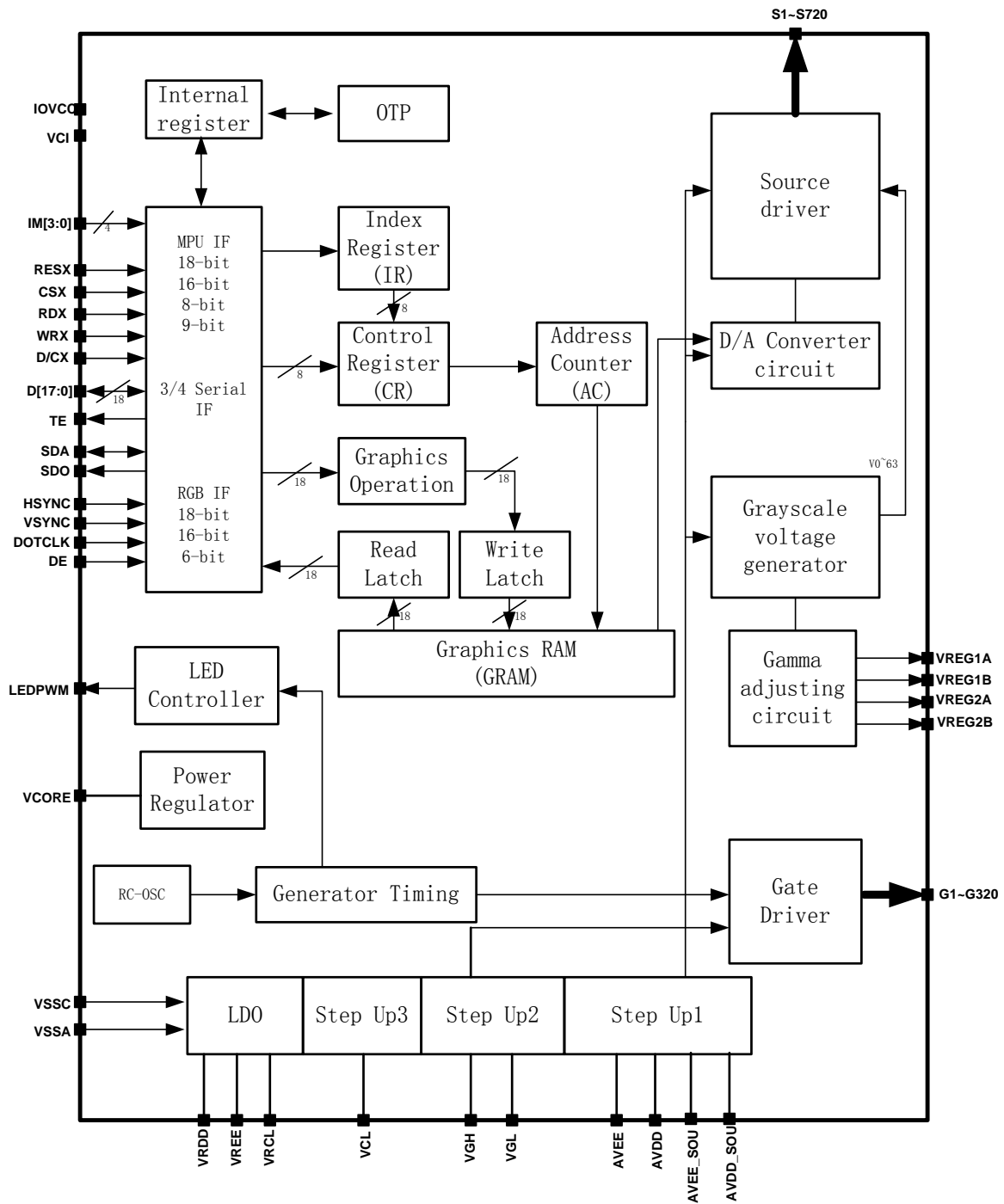
2. Features

- ◆ No need for external electronic component
- ◆ Display resolution: [240xRGB](H) x 320(V)
- ◆ Output:
 - 720 source outputs
 - 320 gate outputs
- ◆ a-TFT LCD driver with on-chip full display RAM: 172,800 bytes
- ◆ System Interface
 - 8-bits, 9-bits, 16-bits, 18-bits interface with 8080-I /8080-II series MCU
 - 6-bits, 16-bits, 18-bits RGB interface with graphic controller
 - 8-bits, 9-bits Serial Peripheral Interface (SPI) and 2 data lane SPI
- ◆ Display mode:
 - Full color mode (Idle mode OFF): 262K-color (selectable color depth mode by software)
 - Reduce color mode (Idle mode ON): 8-color
- ◆ Power saving mode:
 - Sleep mode
- ◆ On chip functions:
 - Timing generator
 - Oscillator
 - DC/DC converter
 - Dot/column inversion
- ◆ Low -power consumption architecture
 - Low operating power supplies:
 - IOVCC = 1.65V ~ 3.3V (logic)
 - VCI = 2.5V ~ 3.3V (analog)
- ◆ LCD Voltage drive:
 - Source/Gamma power supply voltage
 - AVDD - GND = 6.5V ~7.5V
 - AVEE - GND = -5.5V ~ -4.5V
 - AVDD_SOU - GND = 6.5V ~ 7.5V
 - AVEE_SOU - GND = -5.5V ~ -4.5V
 - VCL - GND = -3.0V ~ -1.5V
 - Gate driver output voltage
 - VGH - GND = 10.0V ~ 12.0V
 - VGL - GND = -11.0V ~ -9.0V
 - VGH - VGL \cong 23V
- ◆ Operate temperature range: -40°C to 80°C
- ◆ a-Si TFT LCD storage capacitor : Cst on Common structure only

3. Block Diagram

3.1. Block diagram

Figure1



3.2. Pin Description

Table 1.

Power Supply Pins			
Pin Name	I/O	Type	Descriptions
IOVCC	I	Digital Power	Low voltage power supply for interface logic circuits(1.65~3.3V)
VCI	I	Analog Power	High voltage power supply for analog circuit blocks(2.5~3.3V)
VCORE	O	Digital Power	Regulated Low voltage level for interface circuits Don't apply any external power to this pad
VSSA	I	Analog Ground	System ground level for analog circuit blocks Connect to VSSA on the FPC to prevent noise.
VSSC	I	Digital Ground	System ground level for Digital circuit blocks Connect to VSSC on the FPC to prevent noise.

Table 2

Interface Logic Signals									
Pin Name	I/O	Type	Descriptions						
IM[3:0]	I	(IOVCC/GND)	-Select the MCU interface mode						
								Pins in use	
			IM3	IM2	IM1	IM0	MCU-Interface	Register	GRAM
			0	0	0	0	8080 MCU 8-bit bus interface I	D[7:0]	D[7:0]
			0	0	0	1	8080 MCU 16-bit bus interface I	D[7:0]	D[15:0]
			0	0	1	0	8080 MCU 9-bit bus interface I	D[7:0]	D[8:0]
			0	0	1	1	8080 MCU 18-bit bus interface I	D[7:0]	D[17:0]
			0	1	0	1	3-wire 9-bit data serial interface I	SDA: In/OUT	
			0	1	1	0	4-wire 8-bit data serial interface I	SDA: In/OUT	
			0	1	0	0	3wires 24-bit data serial interface (ID0)	SDI, SDO, SCL, CSX	
			0	1	1	1	3wires 24-bit data serial interface (ID1)	SDI, SDO, SCL, CSX	
			1	0	0	0	8080 MCU 16-bit bus interface II	D[8:1]	D[17:10], D[8:1]
			1	0	0	1	8080 MCU 8-bit bus interface II	D[17:10]	D[17:10]
			1	0	1	0	8080 MCU 18-bit bus interface II	D[8:1]	D[17:0]
			1	0	1	1	8080 MCU 9-bit bus interface II	D[17:10]	D[17:9]
1	1	0	1	3-wire 9-bit data serial interface II	SDI:In SDO:Out				
1	1	1	0	4-wire 8-bit data serial interface II	SDI:In SDO:Out				
MPU Parallel interface bus and serial interface select									
If use RGB Interface must select serial interface.									
*:Fix this pin at IOVCC or GND.									
RESX	I	MCU (IOVCC/GND)	This signal will reset the device and must be applied to properly initialize the chip. Signal is active low.						
CSX	I	MCU (IOVCC/GND)	Chip select input pin("Low" enable). This pin can be permanently fixed "Low" in MPU interface mode only.						
D/CX (SCL)	I	MCU (IOVCC/	This pin is used to select "Data or Command" in the parallel interface When DCX='1', data is selected.						

		GND)	When DCX='0', command is selected. This pin is used serial interface clock in 3-wire 9-bit/3-wire 24-bit / 4-wire 8-bit serial data interface. If not used, this pin should be connected to IOVCC or GND.
RDX	I	MCU (IOVCC/ GND)	8080-I/8080-II system (RDX): Serves as a read signal and MCU read data at the rising edge. Fix to IOVCC level when not in use
WRX (D/CX)	I	MCU (IOVCC/ GND)	8080-I/8080-II system (WRX): Serves as a write signal and writes data at the rising edge. 4-line system (D/CX): Serves as command or parameter select. 2 lane mode serial interface: Serves as the second SDA Fix to IOVCC level when not in use.
D[17:0]	I/O	MCU (IOVCC/ GND)	18-bit parallel bi-directional data bus for MCU system and RGB interface mode Fix to VSS level when not in use
SDI/SDA	I/O	MCU (IOVCC/ GND)	When IM[3]:Low, Serial in/out signal in 3-wire 9-bit/4-wire 8-bit serial data interface. When IM[3]:High, Serial input signal in 3-wire 9-bit/4-wire 8-bit serial data interface. The data is applied on the rising edge of the SCL signal. If not used, fix this pin at IOVCC or GND.
SDO	O	MCU (IOVCC/GND)	Serial output signal. The data is outputted on the falling edge of the SCL signal. If not used, open this pin
TE	O	MCU (IOVCC/ GND)	Tearing effect output pin to synchronize MPU to frame writing, activated by S/W command. When this pin is not activated, this pin is low. If not used, open this pin.
DOTCLK	I	MCU (IOVCC/GND)	Dot clock signal for RGB interface operation. Fix to IOVCC or VSSC level when not in use.
VSYN	I	MCU (IOVCC/GND)	Frame synchronizing signal for RGB interface operation. Fix to IOVCC or VSSC level when not in use.
HSYN	I	MCU (IOVCC/ GND)	Line synchronizing signal for RGB interface operation. Fix to IOVCC or VSSC level when not in use.
DE	I	MCU (IOVCC/ GND)	Data enable signal for RGB interface operation. Fix to IOVCC or GND level when not in use.

Note:

1. If CSX is connected to GND in Parallel interface mode, there will be no abnormal visible effect to the display module. Also there will be no restriction on using the Parallel Read/Write protocols, Power On/Off Sequences or other functions. Furthermore there will be no influence to the Power Consumption of the display module.
2. When CSX='1', there is no influence to the parallel and serial interface.

Table 3

LCD Driver Input/Output Pins			
Pin Name	I/O	Type	Descriptions
S720~S1	O	Source	Source output signals.. Leave the pin to open when not in use.
G320~G1	O	Gate	Gate output signals.. Leave the pin to open when not in use.
VRDD	O	Power	Power supply for AVDD & AVDD_SOU.
VREE	O	Power	Power supply for AVEE & AVEE_SOU.
VRCL	O	Power	Power supply for VCL.
AVDD	O	Power	Output voltage of 1 st step up circuit(3*VRDD).Input voltage to 2 nd step up circuit. Generated power output pad for source driver block.
AVEE	O	Power	Output voltage of 1 st step up circuit(-2*VREE).Input voltage to 2 nd step up circuit. Generated power output pad for source driver block.
VGH	O	Power	Power supply for the gate driver(Positive).
VGL	O	Power	Power supply for the gate driver(Negative).
VCL	O	Power	Power supply for VGH and VGL. VCL=0~-VCI
VREG1A	O	Ref	internal generated stable power for source driver unit VREG1A is the highest positive grayscale reference voltage of source driver
VREG1B	O	Ref	internal generated stable power for source driver unit VREG1B is the lowest positive grayscale reference voltage of source driver
VREG2A	O	Ref	internal generated stable power for source driver unit VREG2A is the highest negative grayscale reference voltage of source driver
VREG2B	O	Ref	internal generated stable power for source driver unit VREG2B is the highest negative grayscale reference voltage of source driver
LEDPWM	O	Dig IO	Output pin for PWM(Pulse width Modulation) signal of LED driving. If not used,open this pad.

Table 4

Test Pins			
Pin Name	I/O	Type	Descriptions
DUMMY	-	Open	Input pads used only for test purpose at IC-side. During normal operation ,leave these pads open.

Liquid crystal power supply specifications Table

Table 5

No.	Item		Description
1	TFT Source Driver		720 pins (240*RGB)
2	TFT Gate Driver		320 pins
3	TFT Display's Capacitor Structure		Cst structure only (Cs on Common)
4	Liquid Crystal Drive Output	S1~S720	V0~V63 grayscales
		G1~G320	VGH-VGL
5	Input Voltage	IOVCC	1.65~3.30V
		VCI	2.50~3.30V
6	Liquid Crystal Drive Voltages	AVDD	6.5~7.5V
		AVEE	-5.5V~-4.5V
		VGH	10.0~12.0V
		VGL	-11.0~-9.0V
		VCL	-3.0~-1.5V
		VGH-VGL	Max.23.0V
		AVDD_SOU	6.5-7.5V
AVEE_SOU	-5.5V~-4.5V		
7	Internal Step-up Circuits	AVDD	VCI*3
		AVEE	VCI*-2
		VGH	VCI*5
		VGL	VCI*-5
		VCL	VCI*-1

3.3 PAD coordinates

Pad-No.	Pad-name	X	Y	Pad-No.	Pad-name	X	Y	Pad-No.	Pad-name	X	Y	Pad-No.	Pad-name	X	Y	Pad-No.	Pad-name	X	Y
1	DUMMY	-7292.5	-250.5	51	DUMMY	-4292.5	-250.5	101	VSSC	-1292.5	-250.5	151	BC	2245	-250.5	201	AVEE	5432.5	-250.5
2	DUMMY	-7232.5	-250.5	52	BGR_OUT	-4232.5	-250.5	102	VSSC	-1232.5	-250.5	152	VPP	2330	-250.5	202	AVEE	5492.5	-250.5
3	VCOM	-7172.5	-250.5	53	VRDD	-4172.5	-250.5	103	VSSC	-1172.5	-250.5	153	DUMMY	2402.5	-250.5	203	AVEE	5552.5	-250.5
4	VCOM	-7112.5	-250.5	54	VRDD	-4112.5	-250.5	104	VSSC	-1112.5	-250.5	154	DUMMY	2462.5	-250.5	204	AVEE	5612.5	-250.5
5	VCOM	-7052.5	-250.5	55	VRDD	-4052.5	-250.5	105	VSSC	-1052.5	-250.5	155	DUMMY	2535	-250.5	205	AVEE	5672.5	-250.5
6	VCOM	-6992.5	-250.5	56	VRDD	-3992.5	-250.5	106	DUMMY	-992.5	-250.5	156	DUMMY	2620	-250.5	206	VSSC	5732.5	-250.5
7	VCOM	-6932.5	-250.5	57	VRDD	-3932.5	-250.5	107	VSSC	-932.5	-250.5	157	DUMMY	2705	-250.5	207	VSSC	5792.5	-250.5
8	VCOM	-6872.5	-250.5	58	VRDD	-3872.5	-250.5	108	VSSC	-872.5	-250.5	158	DUMMY	2790	-250.5	208	VSSC	5852.5	-250.5
9	VCOM	-6812.5	-250.5	59	VRDD	-3812.5	-250.5	109	DUMMY	-812.5	-250.5	159	DUMMY	2875	-250.5	209	VSSC	5912.5	-250.5
10	VCOM	-6752.5	-250.5	60	VCORE	-3752.5	-250.5	110	IM<3>	-752.5	-250.5	160	DUMMY	2960	-250.5	210	VSSC	5972.5	-250.5
11	DUMMY	-6692.5	-250.5	61	VCORE	-3692.5	-250.5	111	IM<2>	-692.5	-250.5	161	DUMMY	3032.5	-250.5	211	VSSC	6032.5	-250.5
12	VGH	-6632.5	-250.5	62	VCORE	-3632.5	-250.5	112	IM<1>	-632.5	-250.5	162	IOVCC	3092.5	-250.5	212	VSSC	6092.5	-250.5
13	VGH	-6572.5	-250.5	63	VCORE	-3572.5	-250.5	113	IM<0>	-572.5	-250.5	163	IOVCC	3152.5	-250.5	213	VSSC	6152.5	-250.5
14	VGL	-6512.5	-250.5	64	VCORE	-3512.5	-250.5	114	RESX	-512.5	-250.5	164	IOVCC	3212.5	-250.5	214	GVDDN	6212.5	-250.5
15	VGL	-6452.5	-250.5	65	VCORE	-3452.5	-250.5	115	CSX	-452.5	-250.5	165	IOVCC	3272.5	-250.5	215	GVDDN	6272.5	-250.5
16	VCL	-6392.5	-250.5	66	VCORE	-3392.5	-250.5	116	DCX	-392.5	-250.5	166	IOVCC	3332.5	-250.5	216	GVDDN	6332.5	-250.5
17	VCL	-6332.5	-250.5	67	VSSC	-3332.5	-250.5	117	WRX	-332.5	-250.5	167	IOVCC	3392.5	-250.5	217	GVDDN	6392.5	-250.5
18	VRCL	-6272.5	-250.5	68	VSSC	-3272.5	-250.5	118	RDX	-272.5	-250.5	168	IOVCC	3452.5	-250.5	218	GVDDN	6452.5	-250.5
19	VRCL	-6212.5	-250.5	69	VSSC	-3212.5	-250.5	119	DUMMY	-212.5	-250.5	169	DUMMY	3512.5	-250.5	219	GVDDN	6512.5	-250.5
20	DUMMY	-6152.5	-250.5	70	VSSC	-3152.5	-250.5	120	VSYN	-152.5	-250.5	170	DUMMY	3572.5	-250.5	220	GVDDN	6572.5	-250.5
21	DUMMY	-6092.5	-250.5	71	VSSC	-3092.5	-250.5	121	HSYN	-92.5	-250.5	171	DUMMY	3632.5	-250.5	221	GVDDN	6632.5	-250.5
22	AVDD	-6032.5	-250.5	72	VSSC	-3032.5	-250.5	122	ENABL	-32.5	-250.5	172	DUMMY	3692.5	-250.5	222	GVDDN	6692.5	-250.5
23	AVDD	-5972.5	-250.5	73	VSSC	-2972.5	-250.5	123	DOTCLK	27.5	-250.5	173	DUMMY	3752.5	-250.5	223	VCOM	6752.5	-250.5
24	AVDD	-5912.5	-250.5	74	VCI	-2912.5	-250.5	124	DUMMY	87.5	-250.5	174	DUMMY	3812.5	-250.5	224	VCOM	6812.5	-250.5
25	DUMMY	-5852.5	-250.5	75	VCI	-2852.5	-250.5	125	SDA	160	-250.5	175	DUMMY	3872.5	-250.5	225	VCOM	6872.5	-250.5
26	DUMMY	-5792.5	-250.5	76	VCI	-2792.5	-250.5	126	DB<0>	245	-250.5	176	DUMMY	3932.5	-250.5	226	VCOM	6932.5	-250.5
27	DUMMY	-5732.5	-250.5	77	VCI	-2732.5	-250.5	127	DB<1>	330	-250.5	177	DUMMY	3992.5	-250.5	227	VCOM	6992.5	-250.5
28	DUMMY	-5672.5	-250.5	78	VCI	-2672.5	-250.5	128	DB<2>	415	-250.5	178	DUMMY	4052.5	-250.5	228	VCOM	7052.5	-250.5
29	DUMMY	-5612.5	-250.5	79	VCI	-2612.5	-250.5	129	DB<3>	500	-250.5	179	DUMMY	4112.5	-250.5	229	VCOM	7112.5	-250.5
30	DUMMY	-5552.5	-250.5	80	VCI	-2552.5	-250.5	130	DUMMY	572.5	-250.5	180	DUMMY	4172.5	-250.5	230	VCOM	7172.5	-250.5
31	AVEE_SOU	-5492.5	-250.5	81	VCI	-2492.5	-250.5	131	DB<4>	645	-250.5	181	DUMMY	4232.5	-250.5	231	DUMMY	7232.5	-250.5
32	AVDD_SOU	-5432.5	-250.5	82	VSSA	-2432.5	-250.5	132	DB<5>	730	-250.5	182	DUMMY	4292.5	-250.5	232	DUMMY	7292.5	-250.5
33	DUMMY	-5372.5	-250.5	83	VSSA	-2372.5	-250.5	133	DB<6>	815	-250.5	183	VREGIA	4352.5	-250.5	233	DUMMY	7399	233
34	DUMMY	-5312.5	-250.5	84	VSSA	-2312.5	-250.5	134	DB<7>	900	-250.5	184	DUMMY	4412.5	-250.5	234	DUMMY	7385	115
35	DUMMY	-5252.5	-250.5	85	VSSA	-2252.5	-250.5	135	DUMMY	972.5	-250.5	185	DUMMY	4472.5	-250.5	235	DUMMY	7371	233
36	DUMMY	-5192.5	-250.5	86	VSSA	-2192.5	-250.5	136	DB<8>	1045	-250.5	186	DUMMY	4532.5	-250.5	236	G<2>	7357	115
37	DUMMY	-5132.5	-250.5	87	VSSA	-2132.5	-250.5	137	DB<9>	1130	-250.5	187	GVDDP	4592.5	-250.5	237	G<4>	7343	233
38	DUMMY	-5072.5	-250.5	88	VSSA	-2072.5	-250.5	138	DB<10>	1215	-250.5	188	DUMMY	4652.5	-250.5	238	G<6>	7329	115
39	VX4	-5012.5	-250.5	89	VSSA	-2012.5	-250.5	139	DB<11>	1300	-250.5	189	DUMMY	4712.5	-250.5	239	G<8>	7315	233
40	DUMMY	-4952.5	-250.5	90	VSSA	-1952.5	-250.5	140	OSC_TEST	1372.5	-250.5	190	DUMMY	4772.5	-250.5	240	G<10>	7301	115
41	DUMMY	-4892.5	-250.5	91	VSSC	-1892.5	-250.5	141	DB<12>	1445	-250.5	191	DUMMY	4832.5	-250.5	241	G<12>	7287	233
42	DUMMY	-4832.5	-250.5	92	VSSC	-1832.5	-250.5	142	DB<13>	1530	-250.5	192	DUMMY	4892.5	-250.5	242	G<14>	7273	115
43	DUMMY	-4772.5	-250.5	93	VSSC	-1772.5	-250.5	143	DB<14>	1615	-250.5	193	VREF_OUT	4952.5	-250.5	243	G<16>	7259	233
44	DUMMY	-4712.5	-250.5	94	VSSC	-1712.5	-250.5	144	DB<15>	1700	-250.5	194	DUMMY	5012.5	-250.5	244	G<18>	7245	115
45	DUMMY	-4652.5	-250.5	95	VSSC	-1652.5	-250.5	145	DUMMY	1772.5	-250.5	195	DUMMY	5072.5	-250.5	245	G<20>	7231	233
46	DUMMY	-4592.5	-250.5	96	VSSC	-1592.5	-250.5	146	DB<16>	1845	-250.5	196	DUMMY	5132.5	-250.5	246	G<22>	7217	115
47	DUMMY	-4532.5	-250.5	97	VSSC	-1532.5	-250.5	147	DB<17>	1930	-250.5	197	DUMMY	5192.5	-250.5	247	G<24>	7203	233
48	DUMMY	-4472.5	-250.5	98	VSSC	-1472.5	-250.5	148	OSC_IN	2002.5	-250.5	198	AVEE	5252.5	-250.5	248	G<26>	7189	115
49	DUMMY	-4412.5	-250.5	99	VSSC	-1412.5	-250.5	149	TE	2075	-250.5	199	AVEE	5312.5	-250.5	249	G<28>	7175	233
50	DUMMY	-4352.5	-250.5	100	VSSC	-1352.5	-250.5	150	SDO	2160	-250.5	200	AVEE	5372.5	-250.5	250	G<30>	7161	115

Pad-No.	Pad-name	X	Y	Pad-No.	Pad-name	X	Y	Pad-No.	Pad-name	X	Y	Pad-No.	Pad-name	X	Y	Pad-No.	Pad-name	X	Y
251	G<32>	7147	233	301	G<132>	6447	233	351	G<232>	5747	233	401	S<715>	5005	233	451	S<665>	4305	233
252	G<34>	7133	115	302	G<134>	6433	115	352	G<234>	5733	115	402	S<714>	4991	115	452	S<664>	4291	115
253	G<36>	7119	233	303	G<136>	6419	233	353	G<236>	5719	233	403	S<713>	4977	233	453	S<663>	4277	233
254	G<38>	7105	115	304	G<138>	6405	115	354	G<238>	5705	115	404	S<712>	4963	115	454	S<662>	4263	115
255	G<40>	7091	233	305	G<140>	6391	233	355	G<240>	5691	233	405	S<711>	4949	233	455	S<661>	4249	233
256	G<42>	7077	115	306	G<142>	6377	115	356	G<242>	5677	115	406	S<710>	4935	115	456	S<660>	4235	115
257	G<44>	7063	233	307	G<144>	6363	233	357	G<244>	5663	233	407	S<709>	4921	233	457	S<659>	4221	233
258	G<46>	7049	115	308	G<146>	6349	115	358	G<246>	5649	115	408	S<708>	4907	115	458	S<658>	4207	115
259	G<48>	7035	233	309	G<148>	6335	233	359	G<248>	5635	233	409	S<707>	4893	233	459	S<657>	4193	233

260	G<50>	7021	115	310	G<150>	6321	115	360	G<250>	5621	115	410	S<706>	4879	115	460	S<656>	4179	115
261	G<52>	7007	233	311	G<152>	6307	233	361	G<252>	5607	233	411	S<705>	4865	233	461	S<655>	4165	233
262	G<54>	6993	115	312	G<154>	6293	115	362	G<254>	5593	115	412	S<704>	4851	115	462	S<654>	4151	115
263	G<56>	6979	233	313	G<156>	6279	233	363	G<256>	5579	233	413	S<703>	4837	233	463	S<653>	4137	233
264	G<58>	6965	115	314	G<158>	6265	115	364	G<258>	5565	115	414	S<702>	4823	115	464	S<652>	4123	115
265	G<60>	6951	233	315	G<160>	6251	233	365	G<260>	5551	233	415	S<701>	4809	233	465	S<651>	4109	233
266	G<62>	6937	115	316	G<162>	6237	115	366	G<262>	5537	115	416	S<700>	4795	115	466	S<650>	4095	115
267	G<64>	6923	233	317	G<164>	6223	233	367	G<264>	5523	233	417	S<699>	4781	233	467	S<649>	4081	233
268	G<66>	6909	115	318	G<166>	6209	115	368	G<266>	5509	115	418	S<698>	4767	115	468	S<648>	4067	115
269	G<68>	6895	233	319	G<168>	6195	233	369	G<268>	5495	233	419	S<697>	4753	233	469	S<647>	4053	233
270	G<70>	6881	115	320	G<170>	6181	115	370	G<270>	5481	115	420	S<696>	4739	115	470	S<646>	4039	115
271	G<72>	6867	233	321	G<172>	6167	233	371	G<272>	5467	233	421	S<695>	4725	233	471	S<645>	4025	233
272	G<74>	6853	115	322	G<174>	6153	115	372	G<274>	5453	115	422	S<694>	4711	115	472	S<644>	4011	115
273	G<76>	6839	233	323	G<176>	6139	233	373	G<276>	5439	233	423	S<693>	4697	233	473	S<643>	3997	233
274	G<78>	6825	115	324	G<178>	6125	115	374	G<278>	5425	115	424	S<692>	4683	115	474	S<642>	3983	115
275	G<80>	6811	233	325	G<180>	6111	233	375	G<280>	5411	233	425	S<691>	4669	233	475	S<641>	3969	233
276	G<82>	6797	115	326	G<182>	6097	115	376	G<282>	5397	115	426	S<690>	4655	115	476	S<640>	3955	115
277	G<84>	6783	233	327	G<184>	6083	233	377	G<284>	5383	233	427	S<689>	4641	233	477	S<639>	3941	233
278	G<86>	6769	115	328	G<186>	6069	115	378	G<286>	5369	115	428	S<688>	4627	115	478	S<638>	3927	115
279	G<88>	6755	233	329	G<188>	6055	233	379	G<288>	5355	233	429	S<687>	4613	233	479	S<637>	3913	233
280	G<90>	6741	115	330	G<190>	6041	115	380	G<290>	5341	115	430	S<686>	4599	115	480	S<636>	3899	115
281	G<92>	6727	233	331	G<192>	6027	233	381	G<292>	5327	233	431	S<685>	4585	233	481	S<635>	3885	233
282	G<94>	6713	115	332	G<194>	6013	115	382	G<294>	5313	115	432	S<684>	4571	115	482	S<634>	3871	115
283	G<96>	6699	233	333	G<196>	5999	233	383	G<296>	5299	233	433	S<683>	4557	233	483	S<633>	3857	233
284	G<98>	6685	115	334	G<198>	5985	115	384	G<298>	5285	115	434	S<682>	4543	115	484	S<632>	3843	115
285	G<100>	6671	233	335	G<200>	5971	233	385	G<300>	5271	233	435	S<681>	4529	233	485	S<631>	3829	233
286	G<102>	6657	115	336	G<202>	5957	115	386	G<302>	5257	115	436	S<680>	4515	115	486	S<630>	3815	115
287	G<104>	6643	233	337	G<204>	5943	233	387	G<304>	5243	233	437	S<679>	4501	233	487	S<629>	3801	233
288	G<106>	6629	115	338	G<206>	5929	115	388	G<306>	5229	115	438	S<678>	4487	115	488	S<628>	3787	115
289	G<108>	6615	233	339	G<208>	5915	233	389	G<308>	5215	233	439	S<677>	4473	233	489	S<627>	3773	233
290	G<110>	6601	115	340	G<210>	5901	115	390	G<310>	5201	115	440	S<676>	4459	115	490	S<626>	3759	115
291	G<112>	6587	233	341	G<212>	5887	233	391	G<312>	5187	233	441	S<675>	4445	233	491	S<625>	3745	233
292	G<114>	6573	115	342	G<214>	5873	115	392	G<314>	5173	115	442	S<674>	4431	115	492	S<624>	3731	115
293	G<116>	6559	233	343	G<216>	5859	233	393	G<316>	5159	233	443	S<673>	4417	233	493	S<623>	3717	233
294	G<118>	6545	115	344	G<218>	5845	115	394	G<318>	5145	115	444	S<672>	4403	115	494	S<622>	3703	115
295	G<120>	6531	233	345	G<220>	5831	233	395	G<320>	5131	233	445	S<671>	4389	233	495	S<621>	3689	233
296	G<122>	6517	115	346	G<222>	5817	115	396	S<720>	5075	115	446	S<670>	4375	115	496	S<620>	3675	115
297	G<124>	6503	233	347	G<224>	5803	233	397	S<719>	5061	233	447	S<669>	4361	233	497	S<619>	3661	233
298	G<126>	6489	115	348	G<226>	5789	115	398	S<718>	5047	115	448	S<668>	4347	115	498	S<618>	3647	115
299	G<128>	6475	233	349	G<228>	5775	233	399	S<717>	5033	233	449	S<667>	4333	233	499	S<617>	3633	233
300	G<130>	6461	115	350	G<230>	5761	115	400	S<716>	5019	115	450	S<666>	4319	115	500	S<616>	3619	115

Pad-No.	Pad-name	X	Y	Pad-No.	Pad-name	X	Y	Pad-No.	Pad-name	X	Y	Pad-No.	Pad-name	X	Y	Pad-No.	Pad-name	X	Y
501	S<615>	3605	233	551	S<565>	2905	233	601	S<515>	2205	233	651	S<465>	1505	233	701	S<415>	805	233
502	S<614>	3591	115	552	S<564>	2891	115	602	S<514>	2191	115	652	S<464>	1491	115	702	S<414>	791	115
503	S<613>	3577	233	553	S<563>	2877	233	603	S<513>	2177	233	653	S<463>	1477	233	703	S<413>	777	233
504	S<612>	3563	115	554	S<562>	2863	115	604	S<512>	2163	115	654	S<462>	1463	115	704	S<412>	763	115
505	S<611>	3549	233	555	S<561>	2849	233	605	S<511>	2149	233	655	S<461>	1449	233	705	S<411>	749	233
506	S<610>	3535	115	556	S<560>	2835	115	606	S<510>	2135	115	656	S<460>	1435	115	706	S<410>	735	115
507	S<609>	3521	233	557	S<559>	2821	233	607	S<509>	2121	233	657	S<459>	1421	233	707	S<409>	721	233
508	S<608>	3507	115	558	S<558>	2807	115	608	S<508>	2107	115	658	S<458>	1407	115	708	S<408>	707	115
509	S<607>	3493	233	559	S<557>	2793	233	609	S<507>	2093	233	659	S<457>	1393	233	709	S<407>	693	233
510	S<606>	3479	115	560	S<556>	2779	115	610	S<506>	2079	115	660	S<456>	1379	115	710	S<406>	679	115
511	S<605>	3465	233	561	S<555>	2765	233	611	S<505>	2065	233	661	S<455>	1365	233	711	S<405>	665	233
512	S<604>	3451	115	562	S<554>	2751	115	612	S<504>	2051	115	662	S<454>	1351	115	712	S<404>	651	115
513	S<603>	3437	233	563	S<553>	2737	233	613	S<503>	2037	233	663	S<453>	1337	233	713	S<403>	637	233
514	S<602>	3423	115	564	S<552>	2723	115	614	S<502>	2023	115	664	S<452>	1323	115	714	S<402>	623	115
515	S<601>	3409	233	565	S<551>	2709	233	615	S<501>	2009	233	665	S<451>	1309	233	715	S<401>	609	233
516	S<600>	3395	115	566	S<550>	2695	115	616	S<500>	1995	115	666	S<450>	1295	115	716	S<400>	595	115
517	S<599>	3381	233	567	S<549>	2681	233	617	S<499>	1981	233	667	S<449>	1281	233	717	S<399>	581	233
518	S<598>	3367	115	568	S<548>	2667	115	618	S<498>	1967	115	668	S<448>	1267	115	718	S<398>	567	115
519	S<597>	3353	233	569	S<547>	2653	233	619	S<497>	1953	233	669	S<447>	1253	233	719	S<397>	553	233
520	S<596>	3339	115	570	S<546>	2639	115	620	S<496>	1939	115	670	S<446>	1239	115	720	S<396>	539	115
521	S<595>	3325	233	571	S<545>	2625	233	621	S<495>	1925	233	671	S<445>	1225	233	721	S<395>	525	233

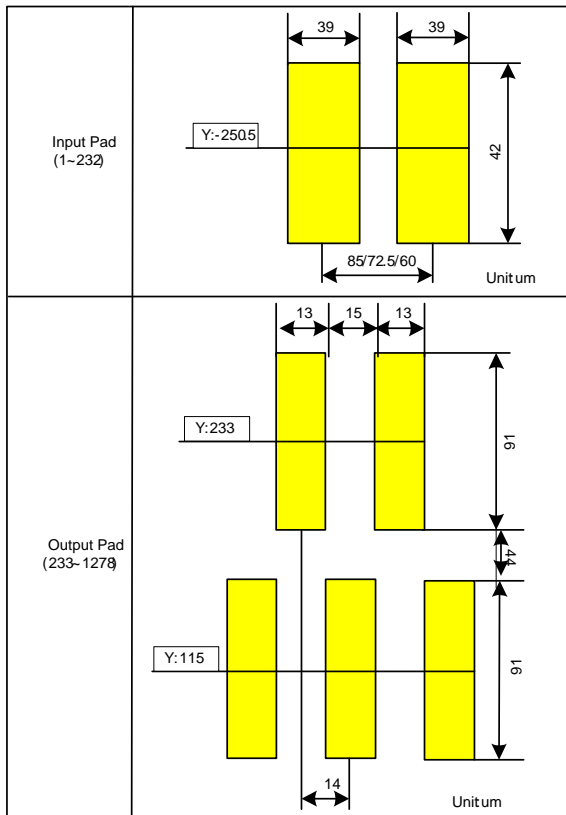
522	S<594>	3311	115	572	S<544>	2611	115	622	S<494>	1911	115	672	S<444>	1211	115	722	S<394>	511	115
523	S<593>	3297	233	573	S<543>	2597	233	623	S<493>	1897	233	673	S<443>	1197	233	723	S<393>	497	233
524	S<592>	3283	115	574	S<542>	2583	115	624	S<492>	1883	115	674	S<442>	1183	115	724	S<392>	483	115
525	S<591>	3269	233	575	S<541>	2569	233	625	S<491>	1869	233	675	S<441>	1169	233	725	S<391>	469	233
526	S<590>	3255	115	576	S<540>	2555	115	626	S<490>	1855	115	676	S<440>	1155	115	726	S<390>	455	115
527	S<589>	3241	233	577	S<539>	2541	233	627	S<489>	1841	233	677	S<439>	1141	233	727	S<389>	441	233
528	S<588>	3227	115	578	S<538>	2527	115	628	S<488>	1827	115	678	S<438>	1127	115	728	S<388>	427	115
529	S<587>	3213	233	579	S<537>	2513	233	629	S<487>	1813	233	679	S<437>	1113	233	729	S<387>	413	233
530	S<586>	3199	115	580	S<536>	2499	115	630	S<486>	1799	115	680	S<436>	1099	115	730	S<386>	399	115
531	S<585>	3185	233	581	S<535>	2485	233	631	S<485>	1785	233	681	S<435>	1085	233	731	S<385>	385	233
532	S<584>	3171	115	582	S<534>	2471	115	632	S<484>	1771	115	682	S<434>	1071	115	732	S<384>	371	115
533	S<583>	3157	233	583	S<533>	2457	233	633	S<483>	1757	233	683	S<433>	1057	233	733	S<383>	357	233
534	S<582>	3143	115	584	S<532>	2443	115	634	S<482>	1743	115	684	S<432>	1043	115	734	S<382>	343	115
535	S<581>	3129	233	585	S<531>	2429	233	635	S<481>	1729	233	685	S<431>	1029	233	735	S<381>	329	233
536	S<580>	3115	115	586	S<530>	2415	115	636	S<480>	1715	115	686	S<430>	1015	115	736	S<380>	315	115
537	S<579>	3101	233	587	S<529>	2401	233	637	S<479>	1701	233	687	S<429>	1001	233	737	S<379>	301	233
538	S<578>	3087	115	588	S<528>	2387	115	638	S<478>	1687	115	688	S<428>	987	115	738	S<378>	287	115
539	S<577>	3073	233	589	S<527>	2373	233	639	S<477>	1673	233	689	S<427>	973	233	739	S<377>	273	233
540	S<576>	3059	115	590	S<526>	2359	115	640	S<476>	1659	115	690	S<426>	959	115	740	S<376>	259	115
541	S<575>	3045	233	591	S<525>	2345	233	641	S<475>	1645	233	691	S<425>	945	233	741	S<375>	245	233
542	S<574>	3031	115	592	S<524>	2331	115	642	S<474>	1631	115	692	S<424>	931	115	742	S<374>	231	115
543	S<573>	3017	233	593	S<523>	2317	233	643	S<473>	1617	233	693	S<423>	917	233	743	S<373>	217	233
544	S<572>	3003	115	594	S<522>	2303	115	644	S<472>	1603	115	694	S<422>	903	115	744	S<372>	203	115
545	S<571>	2989	233	595	S<521>	2289	233	645	S<471>	1589	233	695	S<421>	889	233	745	S<371>	189	233
546	S<570>	2975	115	596	S<520>	2275	115	646	S<470>	1575	115	696	S<420>	875	115	746	S<370>	175	115
547	S<569>	2961	233	597	S<519>	2261	233	647	S<469>	1561	233	697	S<419>	861	233	747	S<369>	161	233
548	S<568>	2947	115	598	S<518>	2247	115	648	S<468>	1547	115	698	S<418>	847	115	748	S<368>	147	115
549	S<567>	2933	233	599	S<517>	2233	233	649	S<467>	1533	233	699	S<417>	833	233	749	S<367>	133	233
550	S<566>	2919	115	600	S<516>	2219	115	650	S<466>	1519	115	700	S<416>	819	115	750	S<366>	119	115

Pad-No.	Pad-name	X	Y	Pad-No.	Pad-name	X	Y	Pad-No.	Pad-name	X	Y	Pad-No.	Pad-name	X	Y	Pad-No.	Pad-name	X	Y
751	S<365>	105	233	801	S<315>	-679	233	851	S<265>	-1379	233	901	S<215>	-2079	233	951	S<165>	-2779	233
752	S<364>	91	115	802	S<314>	-693	115	852	S<264>	-1393	115	902	S<214>	-2093	115	952	S<164>	-2793	115
753	S<363>	77	233	803	S<313>	-707	233	853	S<263>	-1407	233	903	S<213>	-2107	233	953	S<163>	-2807	233
754	S<362>	63	115	804	S<312>	-721	115	854	S<262>	-1421	115	904	S<212>	-2121	115	954	S<162>	-2821	115
755	S<361>	49	233	805	S<311>	-735	233	855	S<261>	-1435	233	905	S<211>	-2135	233	955	S<161>	-2835	233
756	S<360>	-49	115	806	S<310>	-749	115	856	S<260>	-1449	115	906	S<210>	-2149	115	956	S<160>	-2849	115
757	S<359>	-63	233	807	S<309>	-763	233	857	S<259>	-1463	233	907	S<209>	-2163	233	957	S<159>	-2863	233
758	S<358>	-77	115	808	S<308>	-777	115	858	S<258>	-1477	115	908	S<208>	-2177	115	958	S<158>	-2877	115
759	S<357>	-91	233	809	S<307>	-791	233	859	S<257>	-1491	233	909	S<207>	-2191	233	959	S<157>	-2891	233
760	S<356>	-105	115	810	S<306>	-805	115	860	S<256>	-1505	115	910	S<206>	-2205	115	960	S<156>	-2905	115
761	S<355>	-119	233	811	S<305>	-819	233	861	S<255>	-1519	233	911	S<205>	-2219	233	961	S<155>	-2919	233
762	S<354>	-133	115	812	S<304>	-833	115	862	S<254>	-1533	115	912	S<204>	-2233	115	962	S<154>	-2933	115
763	S<353>	-147	233	813	S<303>	-847	233	863	S<253>	-1547	233	913	S<203>	-2247	233	963	S<153>	-2947	233
764	S<352>	-161	115	814	S<302>	-861	115	864	S<252>	-1561	115	914	S<202>	-2261	115	964	S<152>	-2961	115
765	S<351>	-175	233	815	S<301>	-875	233	865	S<251>	-1575	233	915	S<201>	-2275	233	965	S<151>	-2975	233
766	S<350>	-189	115	816	S<300>	-889	115	866	S<250>	-1589	115	916	S<200>	-2289	115	966	S<150>	-2989	115
767	S<349>	-203	233	817	S<299>	-903	233	867	S<249>	-1603	233	917	S<199>	-2303	233	967	S<149>	-3003	233
768	S<348>	-217	115	818	S<298>	-917	115	868	S<248>	-1617	115	918	S<198>	-2317	115	968	S<148>	-3017	115
769	S<347>	-231	233	819	S<297>	-931	233	869	S<247>	-1631	233	919	S<197>	-2331	233	969	S<147>	-3031	233
770	S<346>	-245	115	820	S<296>	-945	115	870	S<246>	-1645	115	920	S<196>	-2345	115	970	S<146>	-3045	115
771	S<345>	-259	233	821	S<295>	-959	233	871	S<245>	-1659	233	921	S<195>	-2359	233	971	S<145>	-3059	233
772	S<344>	-273	115	822	S<294>	-973	115	872	S<244>	-1673	115	922	S<194>	-2373	115	972	S<144>	-3073	115
773	S<343>	-287	233	823	S<293>	-987	233	873	S<243>	-1687	233	923	S<193>	-2387	233	973	S<143>	-3087	233
774	S<342>	-301	115	824	S<292>	-1001	115	874	S<242>	-1701	115	924	S<192>	-2401	115	974	S<142>	-3101	115
775	S<341>	-315	233	825	S<291>	-1015	233	875	S<241>	-1715	233	925	S<191>	-2415	233	975	S<141>	-3115	233
776	S<340>	-329	115	826	S<290>	-1029	115	876	S<240>	-1729	115	926	S<190>	-2429	115	976	S<140>	-3129	115
777	S<339>	-343	233	827	S<289>	-1043	233	877	S<239>	-1743	233	927	S<189>	-2443	233	977	S<139>	-3143	233
778	S<338>	-357	115	828	S<288>	-1057	115	878	S<238>	-1757	115	928	S<188>	-2457	115	978	S<138>	-3157	115
779	S<337>	-371	233	829	S<287>	-1071	233	879	S<237>	-1771	233	929	S<187>	-2471	233	979	S<137>	-3171	233
780	S<336>	-385	115	830	S<286>	-1085	115	880	S<236>	-1785	115	930	S<186>	-2485	115	980	S<136>	-3185	115
781	S<335>	-399	233	831	S<285>	-1099	233	881	S<235>	-1799	233	931	S<185>	-2499	233	981	S<135>	-3199	233
782	S<334>	-413	115	832	S<284>	-1113	115	882	S<234>	-1813	115	932	S<184>	-2513	115	982	S<134>	-3213	115
783	S<333>	-427	233	833	S<283>	-1127	233	883	S<233>	-1827	233	933	S<183>	-2527	233	983	S<133>	-3227	233

784	S<332>	-441	115	834	S<282>	-1141	115	884	S<232>	-1841	115	934	S<182>	-2541	115	984	S<132>	-3241	115
785	S<331>	-455	233	835	S<281>	-1155	233	885	S<231>	-1855	233	935	S<181>	-2555	233	985	S<131>	-3255	233
786	S<330>	-469	115	836	S<280>	-1169	115	886	S<230>	-1869	115	936	S<180>	-2569	115	986	S<130>	-3269	115
787	S<329>	-483	233	837	S<279>	-1183	233	887	S<229>	-1883	233	937	S<179>	-2583	233	987	S<129>	-3283	233
788	S<328>	-497	115	838	S<278>	-1197	115	888	S<228>	-1897	115	938	S<178>	-2597	115	988	S<128>	-3297	115
789	S<327>	-511	233	839	S<277>	-1211	233	889	S<227>	-1911	233	939	S<177>	-2611	233	989	S<127>	-3311	233
790	S<326>	-525	115	840	S<276>	-1225	115	890	S<226>	-1925	115	940	S<176>	-2625	115	990	S<126>	-3325	115
791	S<325>	-539	233	841	S<275>	-1239	233	891	S<225>	-1939	233	941	S<175>	-2639	233	991	S<125>	-3339	233
792	S<324>	-553	115	842	S<274>	-1253	115	892	S<224>	-1953	115	942	S<174>	-2653	115	992	S<124>	-3353	115
793	S<323>	-567	233	843	S<273>	-1267	233	893	S<223>	-1967	233	943	S<173>	-2667	233	993	S<123>	-3367	233
794	S<322>	-581	115	844	S<272>	-1281	115	894	S<222>	-1981	115	944	S<172>	-2681	115	994	S<122>	-3381	115
795	S<321>	-595	233	845	S<271>	-1295	233	895	S<221>	-1995	233	945	S<171>	-2695	233	995	S<121>	-3395	233
796	S<320>	-609	115	846	S<270>	-1309	115	896	S<220>	-2009	115	946	S<170>	-2709	115	996	S<120>	-3409	115
797	S<319>	-623	233	847	S<269>	-1323	233	897	S<219>	-2023	233	947	S<169>	-2723	233	997	S<119>	-3423	233
798	S<318>	-637	115	848	S<268>	-1337	115	898	S<218>	-2037	115	948	S<168>	-2737	115	998	S<118>	-3437	115
799	S<317>	-651	233	849	S<267>	-1351	233	899	S<217>	-2051	233	949	S<167>	-2751	233	999	S<117>	-3451	233
800	S<316>	-665	115	850	S<266>	-1365	115	900	S<216>	-2065	115	950	S<166>	-2765	115	1000	S<116>	-3465	115

Pad-No.	Pad-name	X	Y	Pad-No.	Pad-name	X	Y	Pad-No.	Pad-name	X	Y	Pad-No.	Pad-name	X	Y	Pad-No.	Pad-name	X	Y
1001	S<115>	-3479	233	1051	S<65>	-4179	233	1101	S<15>	-4879	233	1151	G<249>	-5621	233	1201	G<149>	-6321	233
1002	S<114>	-3493	115	1052	S<64>	-4193	115	1102	S<14>	-4893	115	1152	G<247>	-5635	115	1202	G<147>	-6335	115
1003	S<113>	-3507	233	1053	S<63>	-4207	233	1103	S<13>	-4907	233	1153	G<245>	-5649	233	1203	G<145>	-6349	233
1004	S<112>	-3521	115	1054	S<62>	-4221	115	1104	S<12>	-4921	115	1154	G<243>	-5663	115	1204	G<143>	-6363	115
1005	S<111>	-3535	233	1055	S<61>	-4235	233	1105	S<11>	-4935	233	1155	G<241>	-5677	233	1205	G<141>	-6377	233
1006	S<110>	-3549	115	1056	S<60>	-4249	115	1106	S<10>	-4949	115	1156	G<239>	-5691	115	1206	G<139>	-6391	115
1007	S<109>	-3563	233	1057	S<59>	-4263	233	1107	S<9>	-4963	233	1157	G<237>	-5705	233	1207	G<137>	-6405	233
1008	S<108>	-3577	115	1058	S<58>	-4277	115	1108	S<8>	-4977	115	1158	G<235>	-5719	115	1208	G<135>	-6419	115
1009	S<107>	-3591	233	1059	S<57>	-4291	233	1109	S<7>	-4991	233	1159	G<233>	-5733	233	1209	G<133>	-6433	233
1010	S<106>	-3605	115	1060	S<56>	-4305	115	1110	S<6>	-5005	115	1160	G<231>	-5747	115	1210	G<131>	-6447	115
1011	S<105>	-3619	233	1061	S<55>	-4319	233	1111	S<5>	-5019	233	1161	G<229>	-5761	233	1211	G<129>	-6461	233
1012	S<104>	-3633	115	1062	S<54>	-4333	115	1112	S<4>	-5033	115	1162	G<227>	-5775	115	1212	G<127>	-6475	115
1013	S<103>	-3647	233	1063	S<53>	-4347	233	1113	S<3>	-5047	233	1163	G<225>	-5789	233	1213	G<125>	-6489	233
1014	S<102>	-3661	115	1064	S<52>	-4361	115	1114	S<2>	-5061	115	1164	G<223>	-5803	115	1214	G<123>	-6503	115
1015	S<101>	-3675	233	1065	S<51>	-4375	233	1115	S<1>	-5075	233	1165	G<221>	-5817	233	1215	G<121>	-6517	233
1016	S<100>	-3689	115	1066	S<50>	-4389	115	1116	G<319>	-5131	115	1166	G<219>	-5831	115	1216	G<119>	-6531	115
1017	S<99>	-3703	233	1067	S<49>	-4403	233	1117	G<317>	-5145	233	1167	G<217>	-5845	233	1217	G<117>	-6545	233
1018	S<98>	-3717	115	1068	S<48>	-4417	115	1118	G<315>	-5159	115	1168	G<215>	-5859	115	1218	G<115>	-6559	115
1019	S<97>	-3731	233	1069	S<47>	-4431	233	1119	G<313>	-5173	233	1169	G<213>	-5873	233	1219	G<113>	-6573	233
1020	S<96>	-3745	115	1070	S<46>	-4445	115	1120	G<311>	-5187	115	1170	G<211>	-5887	115	1220	G<111>	-6587	115
1021	S<95>	-3759	233	1071	S<45>	-4459	233	1121	G<309>	-5201	233	1171	G<209>	-5901	233	1221	G<109>	-6601	233
1022	S<94>	-3773	115	1072	S<44>	-4473	115	1122	G<307>	-5215	115	1172	G<207>	-5915	115	1222	G<107>	-6615	115
1023	S<93>	-3787	233	1073	S<43>	-4487	233	1123	G<305>	-5229	233	1173	G<205>	-5929	233	1223	G<105>	-6629	233
1024	S<92>	-3801	115	1074	S<42>	-4501	115	1124	G<303>	-5243	115	1174	G<203>	-5943	115	1224	G<103>	-6643	115
1025	S<91>	-3815	233	1075	S<41>	-4515	233	1125	G<301>	-5257	233	1175	G<201>	-5957	233	1225	G<101>	-6657	233
1026	S<90>	-3829	115	1076	S<40>	-4529	115	1126	G<299>	-5271	115	1176	G<199>	-5971	115	1226	G<99>	-6671	115
1027	S<89>	-3843	233	1077	S<39>	-4543	233	1127	G<297>	-5285	233	1177	G<197>	-5985	233	1227	G<97>	-6685	233
1028	S<88>	-3857	115	1078	S<38>	-4557	115	1128	G<295>	-5299	115	1178	G<195>	-5999	115	1228	G<95>	-6699	115
1029	S<87>	-3871	233	1079	S<37>	-4571	233	1129	G<293>	-5313	233	1179	G<193>	-6013	233	1229	G<93>	-6713	233
1030	S<86>	-3885	115	1080	S<36>	-4585	115	1130	G<291>	-5327	115	1180	G<191>	-6027	115	1230	G<91>	-6727	115
1031	S<85>	-3899	233	1081	S<35>	-4599	233	1131	G<289>	-5341	233	1181	G<189>	-6041	233	1231	G<89>	-6741	233
1032	S<84>	-3913	115	1082	S<34>	-4613	115	1132	G<287>	-5355	115	1182	G<187>	-6055	115	1232	G<87>	-6755	115
1033	S<83>	-3927	233	1083	S<33>	-4627	233	1133	G<285>	-5369	233	1183	G<185>	-6069	233	1233	G<85>	-6769	233
1034	S<82>	-3941	115	1084	S<32>	-4641	115	1134	G<283>	-5383	115	1184	G<183>	-6083	115	1234	G<83>	-6783	115
1035	S<81>	-3955	233	1085	S<31>	-4655	233	1135	G<281>	-5397	233	1185	G<181>	-6097	233	1235	G<81>	-6797	233
1036	S<80>	-3969	115	1086	S<30>	-4669	115	1136	G<279>	-5411	115	1186	G<179>	-6111	115	1236	G<79>	-6811	115
1037	S<79>	-3983	233	1087	S<29>	-4683	233	1137	G<277>	-5425	233	1187	G<177>	-6125	233	1237	G<77>	-6825	233
1038	S<78>	-3997	115	1088	S<28>	-4697	115	1138	G<275>	-5439	115	1188	G<175>	-6139	115	1238	G<75>	-6839	115
1039	S<77>	-4011	233	1089	S<27>	-4711	233	1139	G<273>	-5453	233	1189	G<173>	-6153	233	1239	G<73>	-6853	233
1040	S<76>	-4025	115	1090	S<26>	-4725	115	1140	G<271>	-5467	115	1190	G<171>	-6167	115	1240	G<71>	-6867	115
1041	S<75>	-4039	233	1091	S<25>	-4739	233	1141	G<269>	-5481	233	1191	G<169>	-6181	233	1241	G<69>	-6881	233
1042	S<74>	-4053	115	1092	S<24>	-4753	115	1142	G<267>	-5495	115	1192	G<167>	-6195	115	1242	G<67>	-6895	115
1043	S<73>	-4067	233	1093	S<23>	-4767	233	1143	G<265>	-5509	233	1193	G<165>	-6209	233	1243	G<65>	-6909	233
1044	S<72>	-4081	115	1094	S<22>	-4781	115	1144	G<263>	-5523	115	1194	G<163>	-6223	115	1244	G<63>	-6923	115
1145	G<261>	-5537	231.5	1095	S<21>	-4795	233	1145	G<261>	-5537	233	1195	G<161>	-6237	233	1245	G<61>	-6937	233

BUMP Size



Chip Size: 15360um x 640um

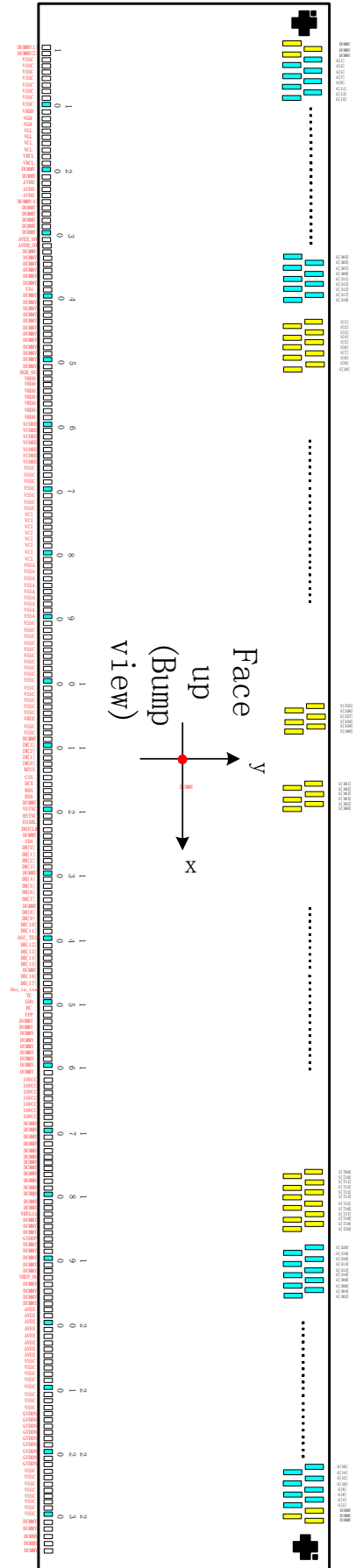
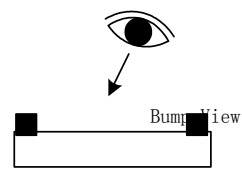
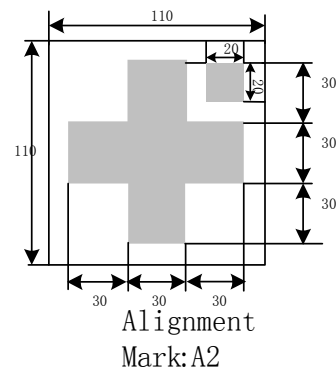
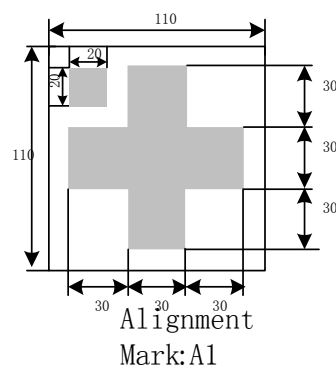
Chip thickness 782um(typ.)

Pad Location Pad Center

Coordinate Origin Chip center

Au bump height 9um(typ.)

Alignment Marks



4. Interface setting

4.1. MCU interfaces

GC9307 provides the 8-/9-/16-/18-bit parallel system interface for 8080-I /8080- II series, and 3-/4-line serial system interface for serial data input. The input system interface is selected by external pins IM [3:0] and the bit format per pixel color order is selected by DBI [2:0] 3-bits of 3Ah register.

4.1.1. MCU interface selection

The selection of interface is done by setting external pins IM [3:0] as shown in the following table.

Table 6

IM3	IM2	IM1	IM0	MCU-Interface Mode	Pins in use	
					Register/Content	GRAM
0	0	0	0	8080 MCU 8-bit bus interface I	D[7:0]	D[7:0],WRX,RDX,CSX,D/CX
0	0	0	1	8080 MCU 16-bit bus interface I	D[7:0]	D[15:0],WRX,RDX,CSX,D/CX
0	0	1	0	8080 MCU 9-bit bus interface I	D[7:0]	D[8:0],WRX,RDX,CSX,D/CX
0	0	1	1	8080 MCU 18-bit bus interface I	D[7:0]	D[17:0],WRX,RDX,CSX,D/CX
0	1	0	1	3-wire 9-bit data serial interface I	SCL,SDA,CSX	
0	1	1	0	4-wire 8-bit data serial interface I	SCL,SDA,D/CX,CSX	
1	0	0	0	8080 MCU 16-bit bus interface II	D[8:1]	D[17:10],D[8:1],WRX,RDX,CSX,D/CX
1	0	0	1	8080 MCU 8-bit bus interface II	D[17:10]	D[17:10],WRX,RDX,CSX,D/CX
1	0	1	0	8080 MCU 18-bit bus interface II	D[8:1]	D[17:0],WRX,RDX,CSX,D/CX
1	0	1	1	8080 MCU 9-bit bus interface II	D[17:10]	D[17:9],WRX,RDX,CSX,D/CX
1	1	0	1	3-wire 9-bit data serial interface II	SCL,SDI,SDO,CSX	
1	1	1	0	4-wire 8-bit data serial interface II	SCL,SDI,SDO,D/CX,CSX	

4.1.2. 8080-I Series Parallel Interface

GC9307 can be accessed via 8-/9-/16-/18-bit MCU 8080-I series parallel interface. The chip select CSX (active low) is used to enable or disable GC9307 chip. The RESX (active low) is an external reset signal. WRX is the parallel data write strobe, RDX is the parallel data read strobe and D[17:0] is parallel data bus.

GC9307 latches the input data at the rising edge of WRX signal. The D/CX is the signal of data/command selection. When D/CX='1', D [17:0] bits are display RAM data or command's parameters. When D/CX='0', D[17:0] bits are commands.

The 8080-I series bi-directional interface can be used for communication between the MCU controller and LCD driver chip. The 8080-I Interface selection is done when IM3 pin is low state (VSSC level). Interface bus width can be selected by IM [2:0] bits.

The selection of 8080-I series parallel interface is shown as the table in the following.

Table 7

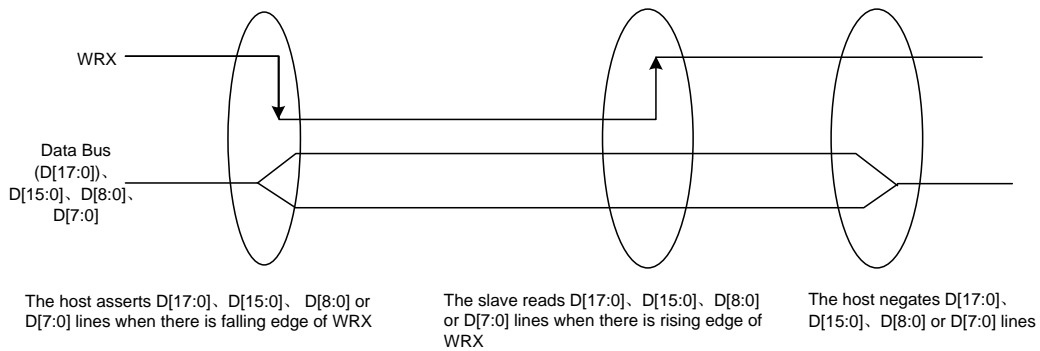
IM3	IM2	IM1	IM0	MCU-Interface	CSX	WRX	RDX	D/CX	Function
0	0	0	0	8080 MCU 8-bit bus interface I	"L"	\uparrow	"H"	"L"	Write command code.
					"L"	"H"	\uparrow	"H"	Read internal status.
					"L"	\uparrow	"H"	"H"	Write parameter or display data.
					"L"	"H"	\uparrow	"H"	Reads parameter or display data.
0	0	0	1	8080 MCU 16-bit bus interface I	"L"	\uparrow	"H"	"L"	Write command code.
					"L"	"H"	\uparrow	"H"	Read internal status.
					"L"	\uparrow	"H"	"H"	Write parameter or display data.
					"L"	"H"	\uparrow	"H"	Reads parameter or display data.
0	0	1	0	8080 MCU 9-bit bus interface I	"L"	\uparrow	"H"	"L"	Write command code.
					"L"	"H"	\uparrow	"H"	Read internal status.
					"L"	\uparrow	"H"	"H"	Write parameter or display data.
					"L"	"H"	\uparrow	"H"	Reads parameter or display data.
0	0	1	1	8080 MCU 18-bit bus interface I	"L"	\uparrow	"H"	"L"	Write command code.
					"L"	"H"	\uparrow	"H"	Read internal status.
					"L"	\uparrow	"H"	"H"	Write parameter or display data.
					"L"	"H"	\uparrow	"H"	Reads parameter or display data.

4.1.3. Write Cycle Sequence

The WRX signal is driven from high to low and then be pulled back to high during the write cycle. The host processor provides information during the write cycle when the display module captures the information from host processor on the rising edge of WRX. When the D/CX signal is driven to low level, then input data on the interface is interpreted as command information. The D/CX signal also can be pulled high level when the data on the interface is SRAM data or command's parameter.

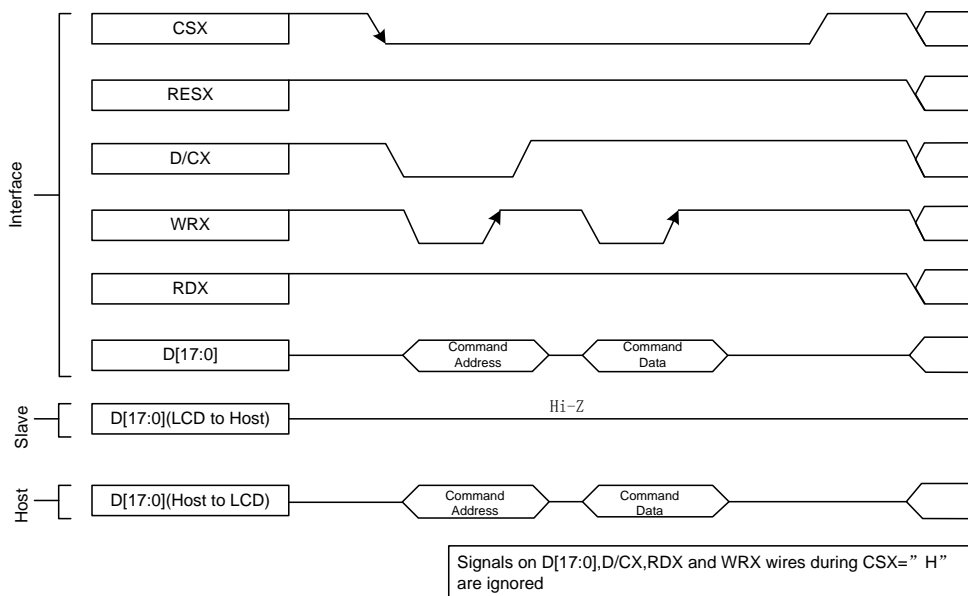
The following figure shows a write cycle for the 8080-I MCU interface.

Figure 2.



Note: WRX is an unsynchronized signal (It can be stopped)

Figure 3.

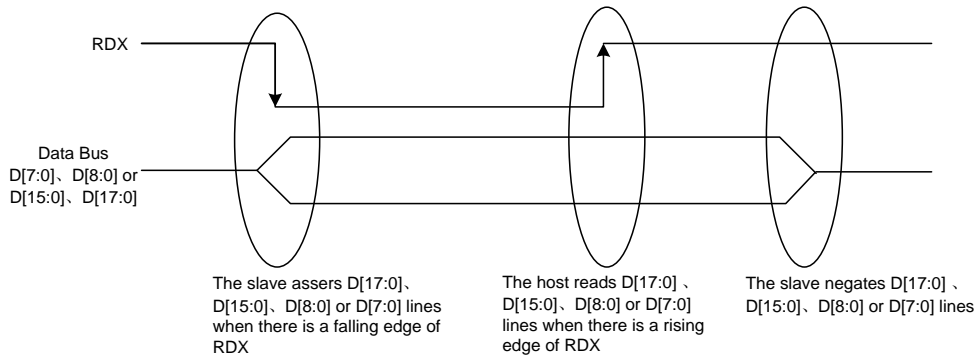


4.1.4. Read Cycle Sequence

The RDX signal is driven from high to low and then allowed to be pulled back to high during the read cycle. The display module provides information to the host processor during the read cycle, while the host processor reads the display module information on the rising edge of RDX signal. When the D/CX signal is driven to low level, then input data on the interface is interpreted as command. The D/CX signal also can be pulled high level when the data on the interface is RAM data or command parameter.

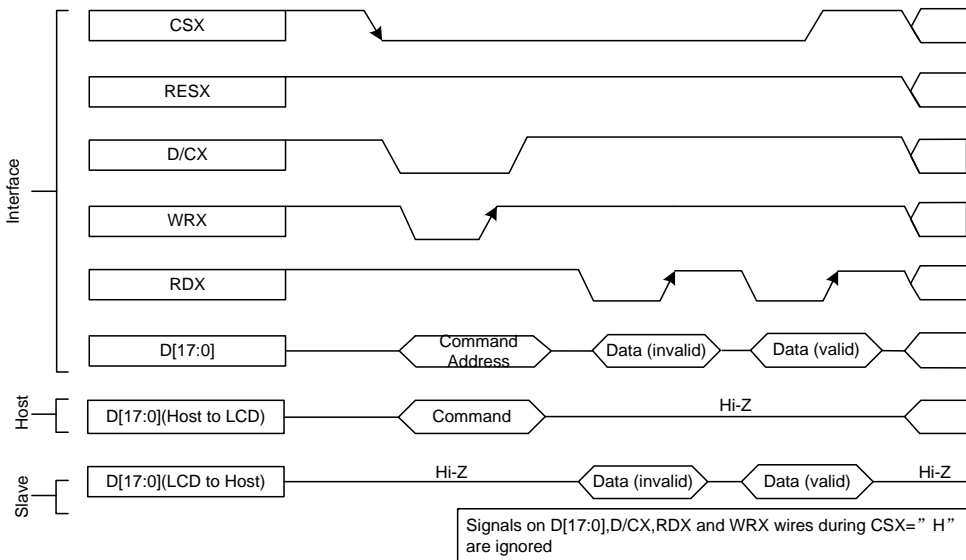
The following figure shows the read cycle for the 8080-I MCU interface.

Figure 4.



Note: RDX is an unsynchronized signal (It can be stopped).

Figure 5.



Note: Read data is only valid when the D/CX input is pulled high. If D/CX is driven low during read then the display information outputs will be High-Z.

4.1.5. 8080-II Series Parallel Interface

GC9307 can be accessed via 8-/9-/16-/18-bit MCU 8080-II series parallel interface. The chip select CSX (active low) is used to enable or disable GC9307 chip. The RESX (active low) is an external reset signal. WRX is the parallel data write strobe, RDX is the parallel data read strobe and D[17:0] is parallel data bus.

GC9307 latches the input data at the rising edge of WRX signal. The D/CX is the signal of data/command selection. When D/CX='1', D [17:0] bits are display RAM data or command's parameters. When D/CX='0', D[17:0] bits are commands.

The 8080-II series bi-directional interface can be used for communication between the MCU controller and LCD driver chip. The 8080-II Interface selection is done when IM3 pin is high state (IOVCC level). Interface bus width can be selected by IM [2:0] bits.

The selection of 8080-II series parallel interface is shown as the table in the following.

Table 8

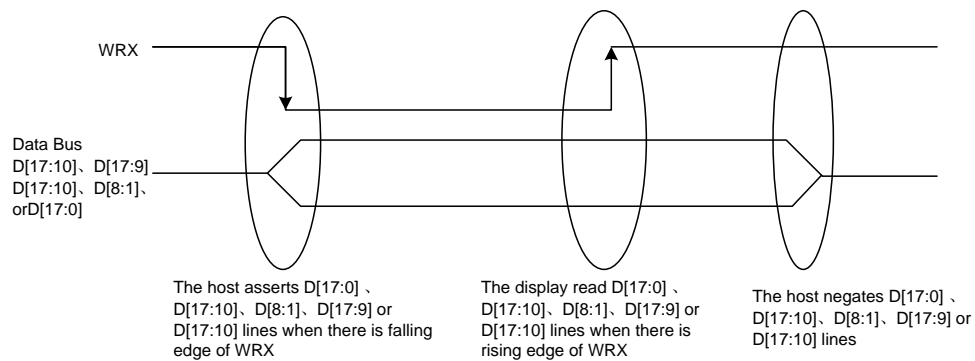
IM3	IM2	IM1	IM0	MCU-Interface	CSX	WRX	RDX	D/CX	Function
1	0	0	0	8080 MCU 16-bit bus interface II	"L"	\uparrow	"H"	"L"	Write command code.
					"L"	"H"	\uparrow	"H"	Read internal status.
					"L"	\uparrow	"H"	"H"	Write parameter or display data.
					"L"	"H"	\uparrow	"H"	Reads parameter or display data.
1	0	0	1	8080 MCU 8-bit bus interface II	"L"	\uparrow	"H"	"L"	Write command code.
					"L"	"H"	\uparrow	"H"	Read internal status.
					"L"	\uparrow	"H"	"H"	Write parameter or display data.
					"L"	"H"	\uparrow	"H"	Reads parameter or display data.
1	0	1	0	8080 MCU 18-bit bus interface II	"L"	\uparrow	"H"	"L"	Write command code.
					"L"	"H"	\uparrow	"H"	Read internal status.
					"L"	\uparrow	"H"	"H"	Write parameter or display data.
					"L"	"H"	\uparrow	"H"	Reads parameter or display data.
1	0	1	1	8080 MCU 9-bit bus interface II	"L"	\uparrow	"H"	"L"	Write command code.
					"L"	"H"	\uparrow	"H"	Read internal status.
					"L"	\uparrow	"H"	"H"	Write parameter or display data.
					"L"	"H"	\uparrow	"H"	Reads parameter or display data.

4.1.6. Write Cycle Sequence

The WRX signal is driven from high to low and then be pulled back to high during the write cycle. The host processor provides information during the write cycle when the display module captures the information from host processor on the rising edge of WRX. When the D/CX signal is driven to low level, then input data on the interface is interpreted as command information. The D/CX signal also can be pulled high level when the data on the interface is RAM data or command's parameter.

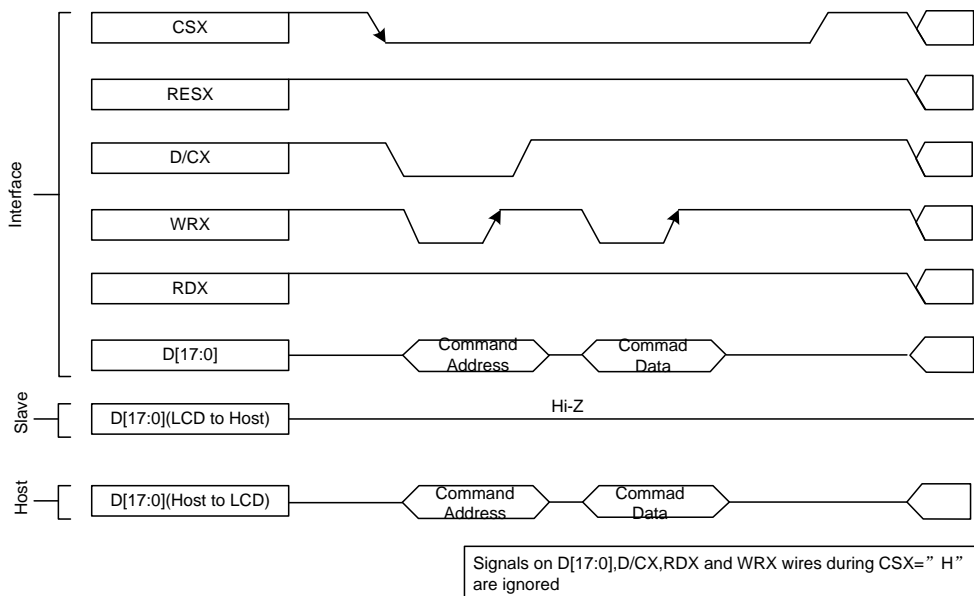
The following figure shows a write cycle for the 8080-II MCU interface.

Figure 6.



Note: WRX is an unsynchronized signal (It can be stopped)

Figure 7.

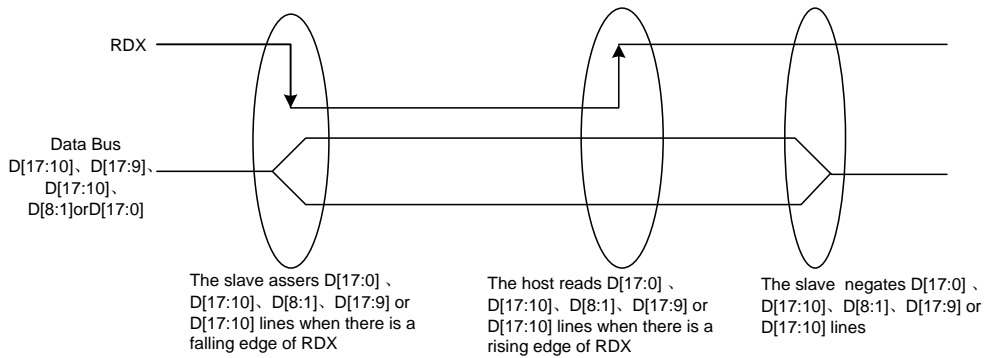


4.1.7. Read Cycle Sequence

The RDX signal is driven from high to low and then allowed to be pulled back to high during the read cycle. The display module provides information to the host processor during the read cycle while the host processor reads the display module information on the rising edge of RDX signal. When the D/CX signal is driven to low level, then input data on the interface is interpreted as command. The D/CX signal also can be pulled high level when the data on the interface is RAM data or command parameter.

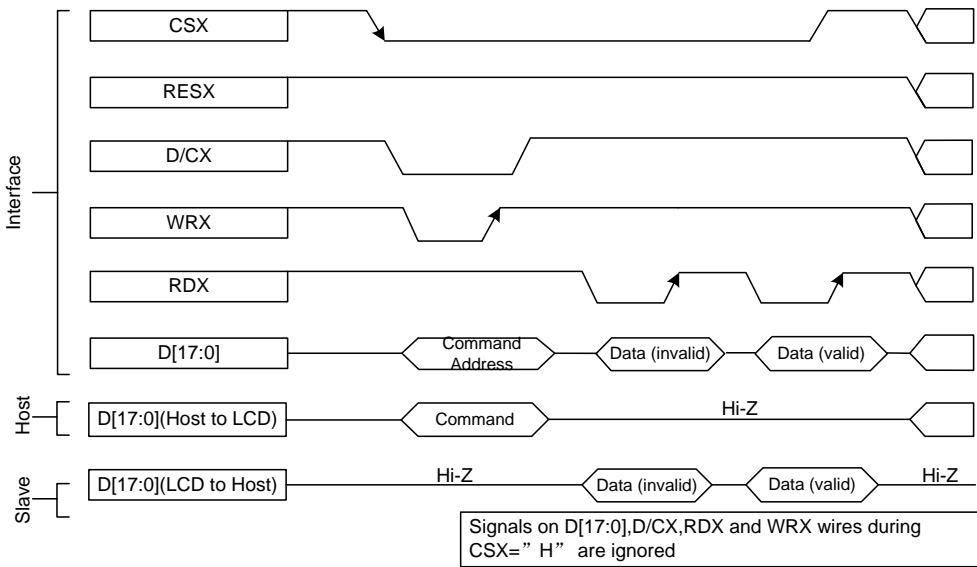
The following figure shows the read cycle for the 8080-II MCU interface.

Figure 8.



Note: RDX is an unsynchronized signal (It can be stopped).

Figure 9.



Note: Read data is only valid when the D/CX input is pulled high. If D/CX is driven low during read then the display information outputs will be High-Z.

Serial Interface

The selection of interface is done by IM [3:0] bits. Please refer to the Table in the following.

Table 8.

IM3	IM2	IM1	IM0	MCU-Interface Mode	CSX	D/CX	SCL	Function
0	1	0	1	3-line serial interface	"L"	-	↑	Read/Write command, parameter or display data.
0	1	1	0	4-line serial interface	"L"	"H/L"	↑	Read/Write command, parameter or display data.
1	1	0	1	3-line serial interface	"L"	-	↑	Read/Write command, parameter or display data.
1	1	1	0	4-line serial interface	"L"	"H/L"	↑	Read/Write command, parameter or display data.

GC9307 supplies 3-lines/ 9-bit and 4-line/8-bit bi-directional serial interfaces for communication between host and GC9307. The 3-line serial mode consists of the chip enable input (CSX), the serial clock input (SCL) and serial data Input/Output (SDA or SDI/SDO). The 4-line serial mode consists of the Data/Command selection input (D/CX), chip enable input (CSX), the serial clock input (SCL) and serial data Input/Output (SDA or SDI/SDO) for data transmission. The data bus (D [17:0]), which are not used, must be connected to GND. Serial clock (SCL) is used for interface with MCU only, so it can be stopped when no communication is necessary.

4.1.8. Write Cycle Sequence

The write mode of the interface means that host writes commands or data to GC9307. The 3-lines serial data packet contains a data/command select bit (D/CX) and a transmission byte. If the D/CX bit is “low”, the transmission byte is interpreted as a command byte. If the D/CX bit is “high”, the transmission byte is stored as the display data RAM(Memory write command),or command register as parameter.

Any instruction can be sent in any order to GC9307 and the MSB is transmitted first. The serial interface is initialized when CSX is high status. In this state, SCL clock pulse and SDA data are no effect. A falling edge on CSX enables the serial interface and indicates the start of data transmission. See the detailed data format for 3-/4-line serial interface.

Figure 10.

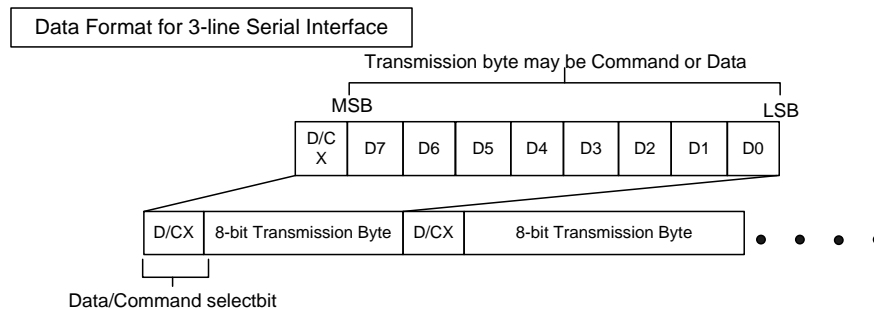
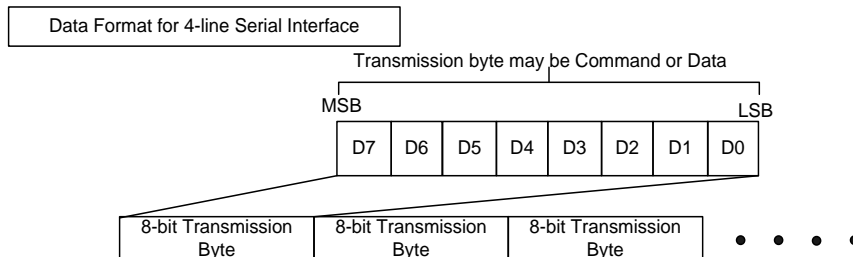


Figure11.



Host processor drives the CSX pin to low and starts by setting the D/CX bit on SDA. The bit is read by GC9307 on the first rising edge of SCL signal. On the next falling edge of SCL, the MSB data bit (D7) is set on SDA by the host. On the next falling edge of SCL, the next bit (D6) is set on SDA. If the optional D/CX signal is used, a byte is eight read cycle width. The 3-/4-line serial interface writes sequence described in the figure as below.

Figure 12.

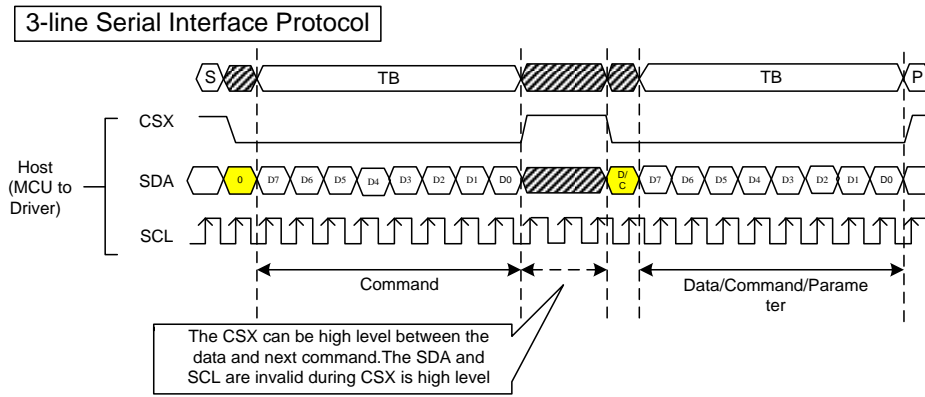
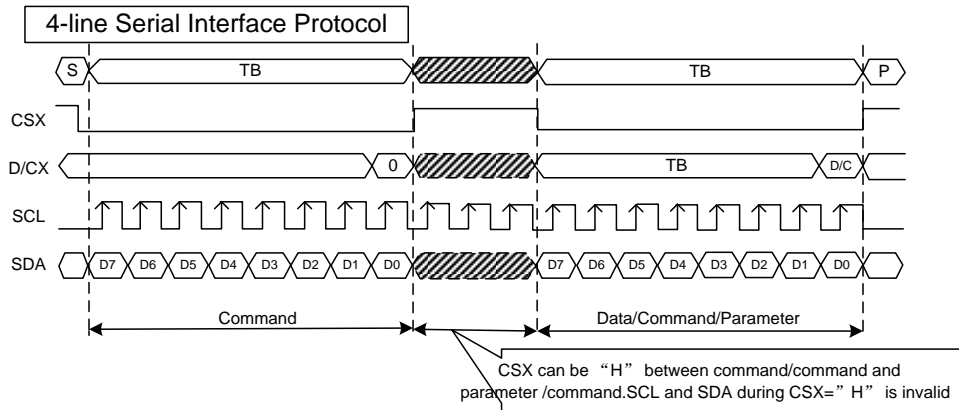


Figure 13.



4.1.9. Read Cycle Sequence

The read mode of interface means that the host reads register's parameter from GC9307. The host has to send a command (Read ID or register command) and then the following byte is transmitted in the opposite direction. GC9307 latches the SDA (input data) at the rising edges of SCL (serial clock), and then shifts SDA (output data) at falling edges of SCL (serial clock). After the read status command has been sent, the SDA line must be set to tri-state and no later than at the falling edge of SCL of the last bit. The read mode has three types of transmitted command data (8-/24-/32-bit) according command code.

Figure 14.

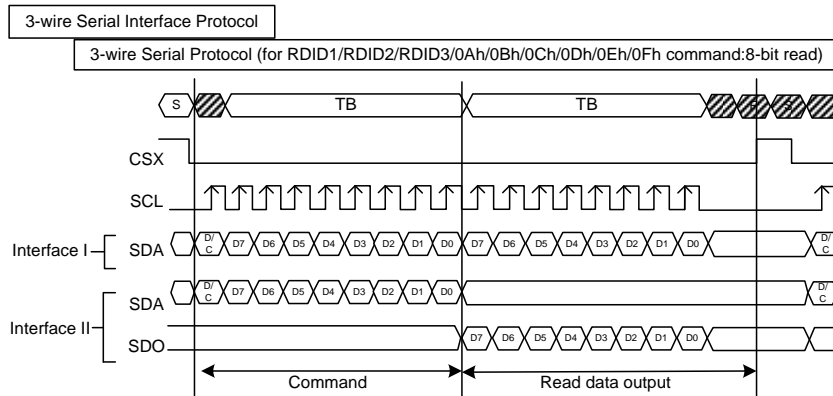


Figure 15.

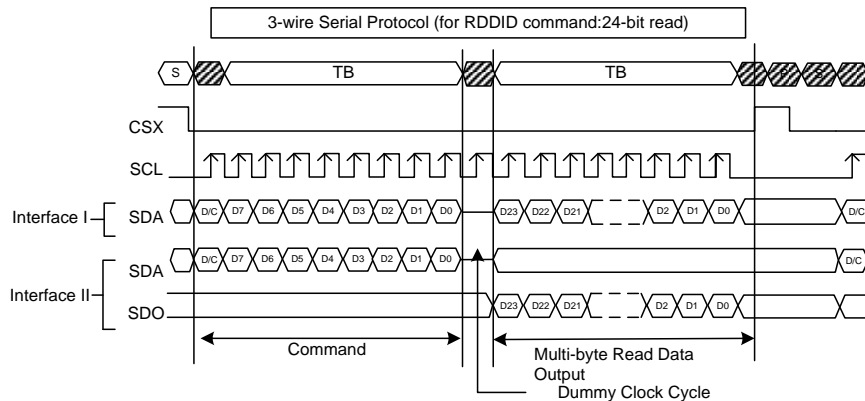
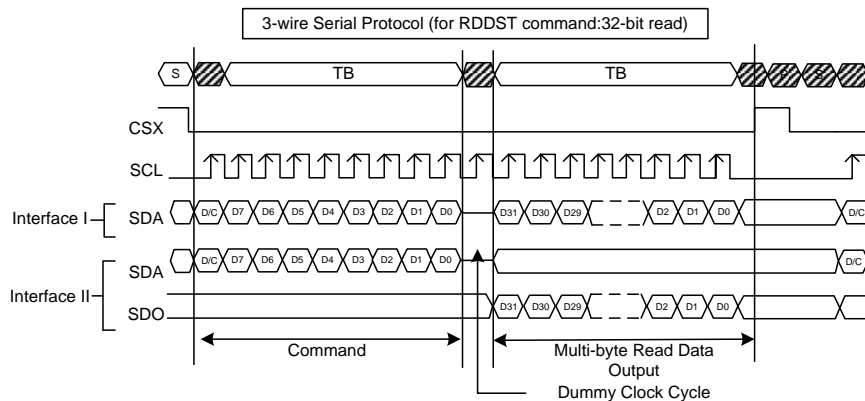


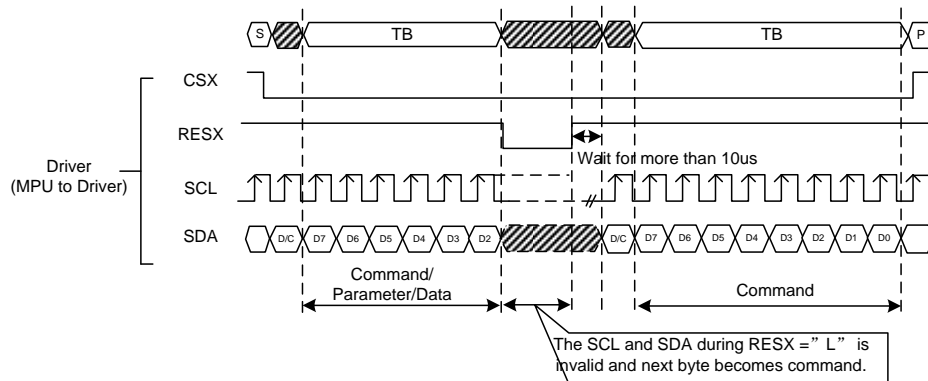
Figure 16.



4.1.10. Data Transfer Break and Recovery

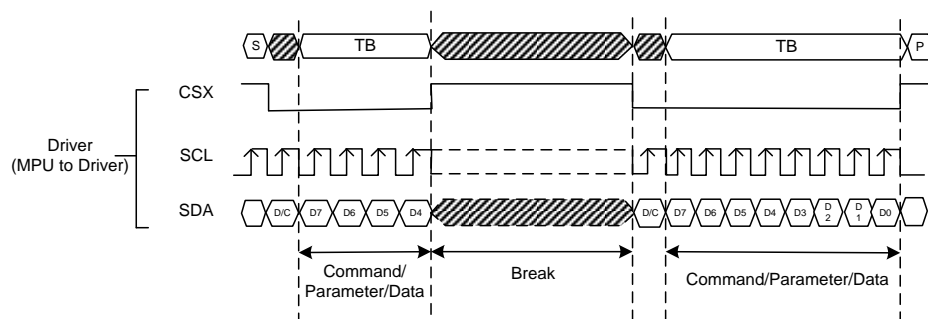
If there is a break in data transmission by RESX pulse, while transferring a command or multiple parameter command data, before Bit D0 of the byte has been completed, then the driver will reject the previous bits and have reset the interface such that it will be ready to receive command data again when the chip select pin (CSX) is activated after RESX have been high state.

Figure 20.



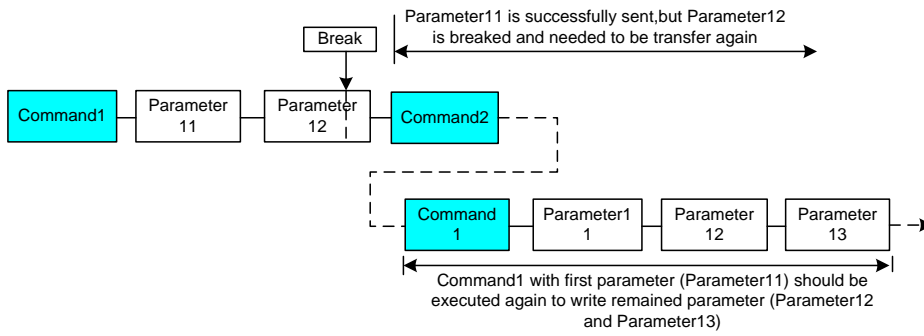
If there is a break in data transmission by CSX pulse, while transferring a command or frame memory data or multiple parameter command data, before Bit D0 of the byte has been completed, then the driver will reject the previous bits and have reset the interface such that it will be ready to receive the same byte re-transmitted when the chip select pin (CSX) is next activated.

Figure 21.



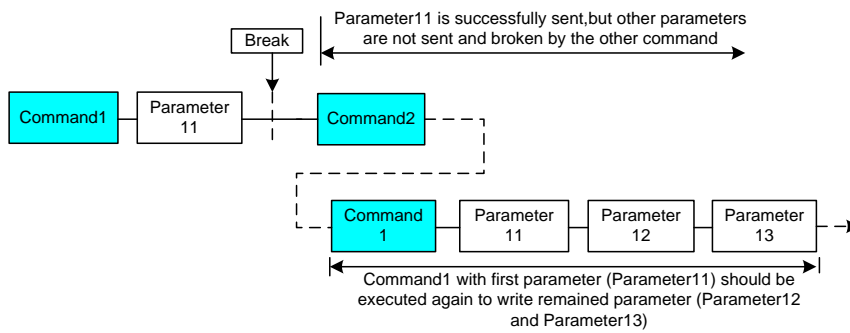
If a two or more parameter command is being sent and a break occurs while sending any parameter before the last one and if the host then sends a new command rather than continue to send the remained parameters that was interrupted, then the parameters which had been successfully sent are stored and the parameter where the break occurred is rejected. The interface is ready to receive next byte as shown below.

Figure 22.



If a two or more parameter command is being sent and a break occurs by the other command before the last one is sent, then the parameters which had been successfully sent are stored and the other parameter of that command remains previous value.

Figure 23.



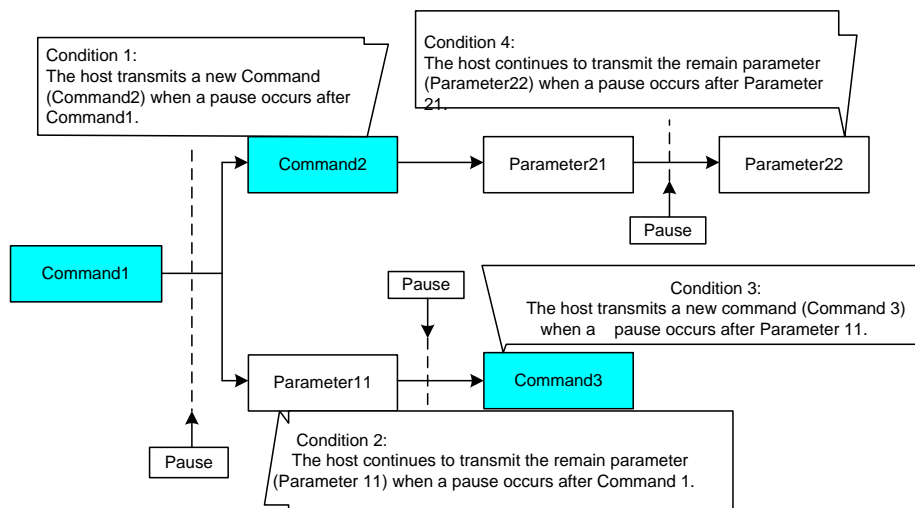
4.1.11. Data Transfer Pause

It will be possible when transferring a command, frame memory data or multiple parameter data to invoke a pause in the data transmission. If the chip select pin (CSX) is released to high state after a whole byte of a frame memory data or multiple parameter data has been completed, then GC9307 will wait and continue the frame memory data or parameter data transmission from the point where it was paused. If the chip select pin is released after a whole byte of a command has been completed, then the display module will receive either the command's parameters(if appropriate) or a new command when the chip select pin is next enabled as shown below.

This applies to the following 4 conditions:

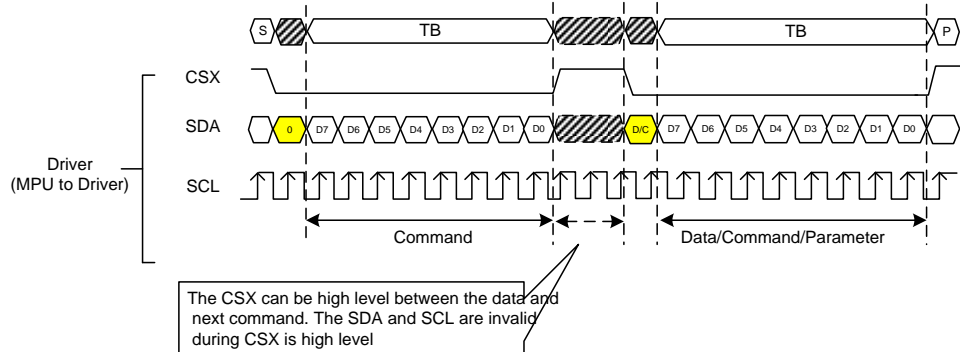
- 1) Command-Pause-Command
- 2) Command-Pause-Parameter
- 3) Parameter-Pause-Command
- 4) Parameter-Pause-Parameter

Figure 24.



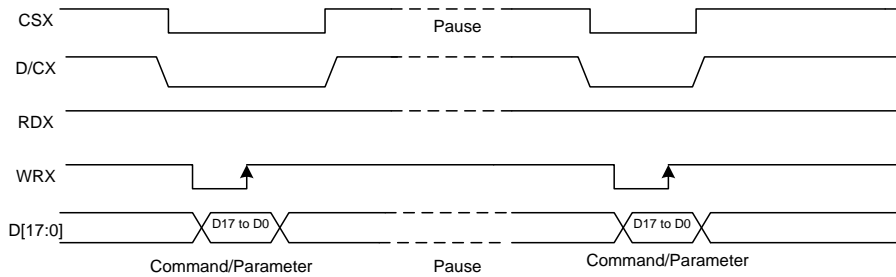
4.1.12. Serial Interface Pause (3_wire)

Figure 25.



4.1.13. Parallel Interface Pause

Figure 26.



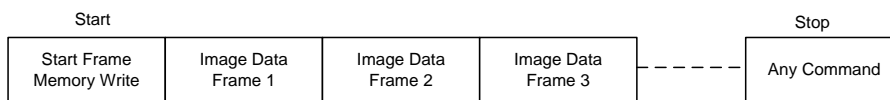
4.1.14. Data Transfer Mode

GC9307 can provide two different kinds of color depth (16-bit/pixel and 18-bit/pixel) display data to the graphic RAM. The data format is described for each interface. Data can be downloaded to the frame memory by 2 methods.

4.1.15. Data Transfer Method 1

The image data is sent to the frame memory in the successive frame writing, each time the frame memory is filled by image data, the frame memory pointer is reset to the start point and the next frame is written.

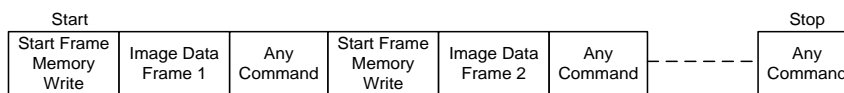
Figure 27.



4.1.16. Data Transfer Method 2

Image data is sent and at the end of each frame memory download, a command is sent to stop frame memory writing. Then start memory write command is sent, and a new frame is downloaded.

Figure 28.



Note 1: These methods are applied to all data transfer color modes on both serial and parallel interfaces.

Note 2: The frame memory can contain both odd and even number of pixels for both methods. Only complete pixel data will be stored in the frame memory.

4.2. RGB Interface

4.2.1. RGB Interface Selection

GC9307 has two kinds of RGB interface and these interfaces can be selected by RCM [1:0] bits. When RCM [1:0] bits are set to “10”, the DE mode is selected which utilizes VSYNC, HSYNC, DOTCLK, DE, D [17:0] pins; when RCM [1:0] bits are set to “11”, the SYNC mode is selected which utilizes which utilizes VSYNC, HSYNC, DOTCLK, D [17:0] pins. Using RGB interface must selection serial interface.

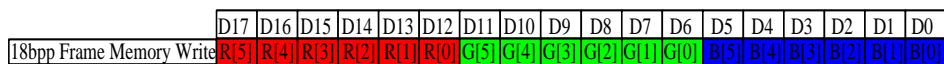
GC9307 supports several pixel formats that can be selected by RIM bit of F6h command. The selection of a given interfaces is done by setting RCM [1:0] as show in the following table.

Table 9

RCM[1:0]		RIM	DPI[1:0]			RGB interface Mode	RGB Mode	Used Pins
1	0	0	1	1	0	18-bit RGB interface (262K colors)	DE Mode Valid data is determined by the DE signal	VSYNC,HSYNC,DE,DOTCLK,D[17:0]
1	0	0	1	0	1	16-bit RGB interface (65K colors)		VSYNC,HSYNC,DE,DOTCLK,D[17:13] & D[11:1]
1	0	1	-			6-bit RGB interface (262K colors)		VSYNC,HSYNC,DE,DOTCLK,D[5:0]
1	1	0	1	1	0	18-bit RGB interface (262K colors)	SYNC Mode In SYNC mode, DE signal is ignored;blanking porch is determined by B5h command	VSYNC,HSYNC,DOTCLK, D[17:0]
1	1	0	1	0	1	16-bit RGB interface (65K colors)		VSYNC,HSYNC,DOTCLK, D[17:13] & D[11:1]
1	1	1	-			6-bit RGB interface (262K colors)		VSYNC,HSYNC,DOTCLK, D[5:0]

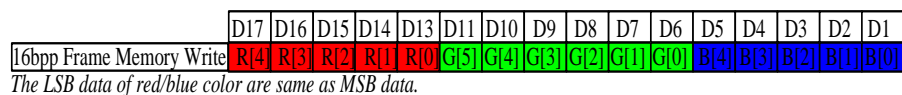
18-bit data bus interface (D[17:0] is used) , RIM=0

Figure 29.



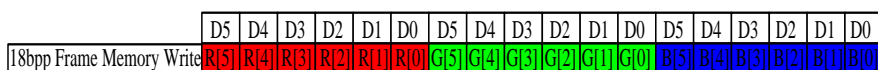
16-bit data bus interface (D[17:13] & D[11:1] is used) , DPI[2:0] = 101, and RIM=0

Figure 30.



6-bit data bus interface (D[5:0] is used) , RIM=1

Figure 31.



Pixel clock (DOTCLK) is running all the time without stopping and used to enter VSYNC, HSYNC, DE and

D[17:0] states when there is a rising edge of the DOTCLK. Vertical synchronization (VSYNC) is used to tell when there is received a new frame of the display. This is low enable and its state is read to the display module by a rising edge of the DOTCLK signal.

Horizontal synchronization (HSYNC) is used to tell when there is received a new line of the frame. This is low enable and its state is read to the display module by a rising edge of the DOTCLK signal.

In DE mode, Data Enable (DE) is used to tell when there is received RGB information that should be transferred on the display. This is a high enable and its state is read to the display module by a rising edge of the DOTCLK signal. D [17:0] are used to tell what is the information of the image that is transferred on the display (When DE= '0' (low) and there is a rising edge of DOTCLK). D [17:0] can be '0' (low) or '1' (high). These lines are read by a rising edge of the DOTCLK signal. In SYNC mode, the valid display data in inputted in pixel unit via D [17:0] according to HFP/HBP settings of HSYNC signal and VFP/VBP setting of VSYNC. In both RGB interface modes, the input display data is written to GRAM first then outputs corresponding source voltage according the gray data from GRAM.

Figure32.

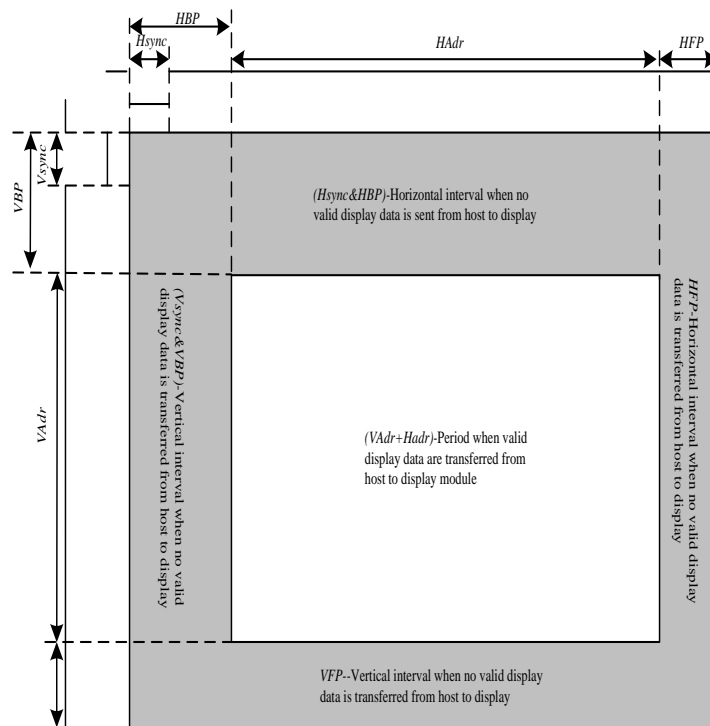


Table 10.

Parameters	Symbols	Condition	Min.	Typ.	Max.	Units
Horizontal Synchronization	Hsync		2	10	16	DOTCLK
Horizontal Back Porch	HBP		2	20	24	DOTCLK
Horizontal Address	HAdr		-	240	-	DOTCLK
Horizontal Front Porch	HFP		2	10	16	DOTCLK
Vertical Synchronization	Vsync		1	2	4	Line
Vertical Back Porch	VBP		1	2	-	Line
Vertical Address	VAdr		-	320	-	Line
Vertical Front Porch	VFP		3	4	-	Line

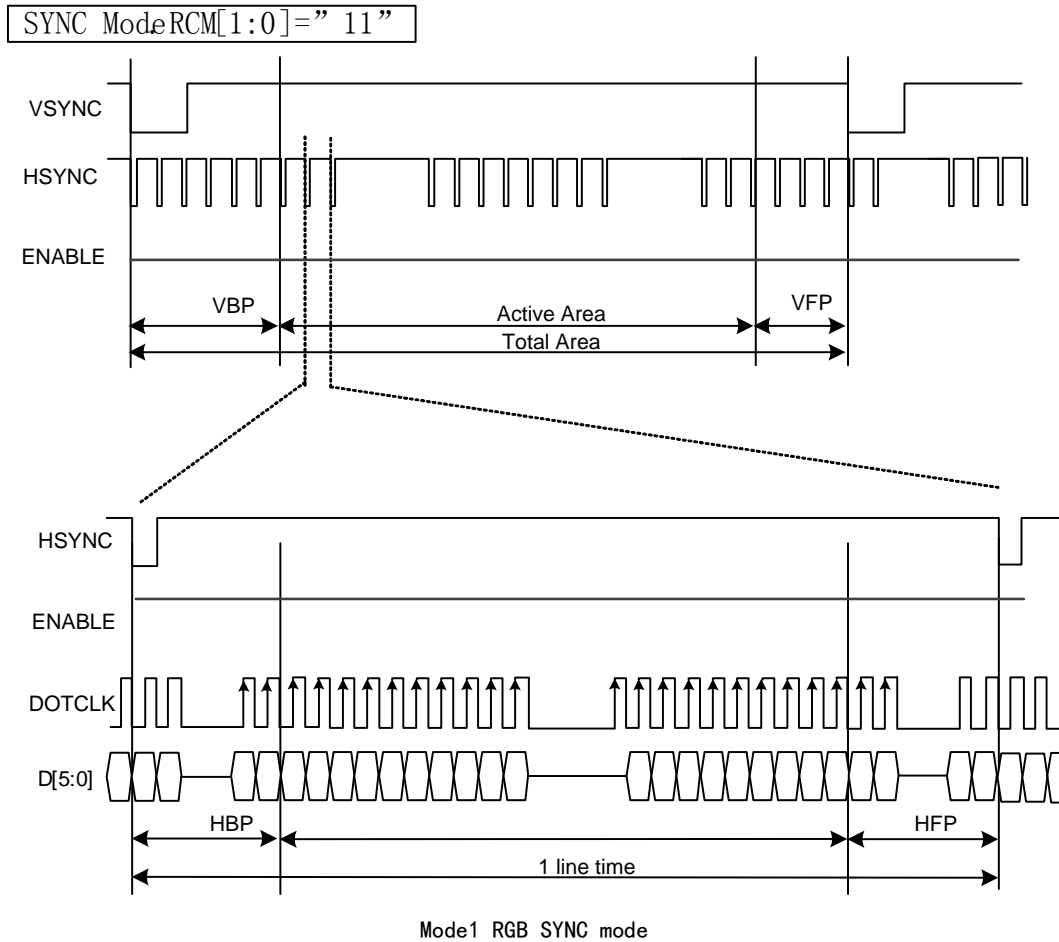
Notes:

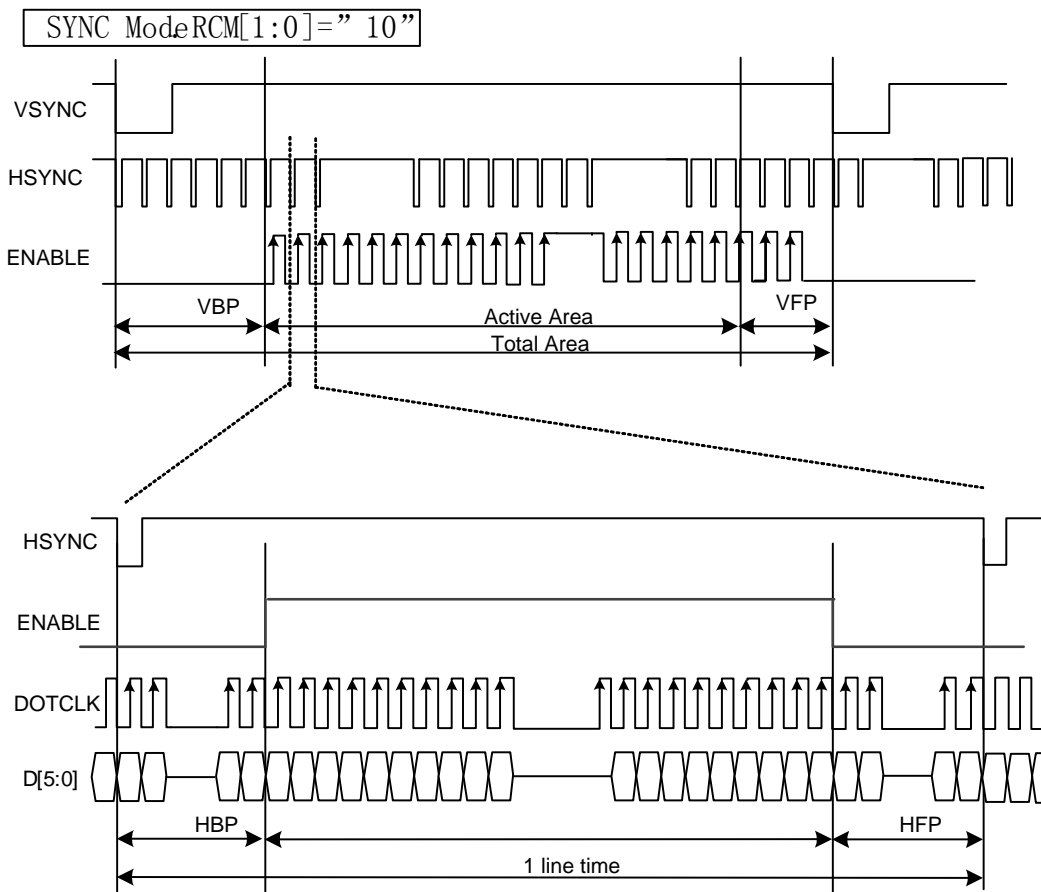
-
1. *Vertical period (one frame) shall be equal to the sum of VBP + VAdr + VFP.*
 2. *Horizontal period (one line) shall be equal to the sum of HBP + HAdr + HFP.*
 3. *Control signals Hsync shall be transmitted as specified at all times while valid pixels are transferred between the host processor and the display module.*

4.2.2. RGB Interface Timing

The timing chart of 18/16-bit RGB interface mode1 and mode 2 is shown as below.

Figure33.





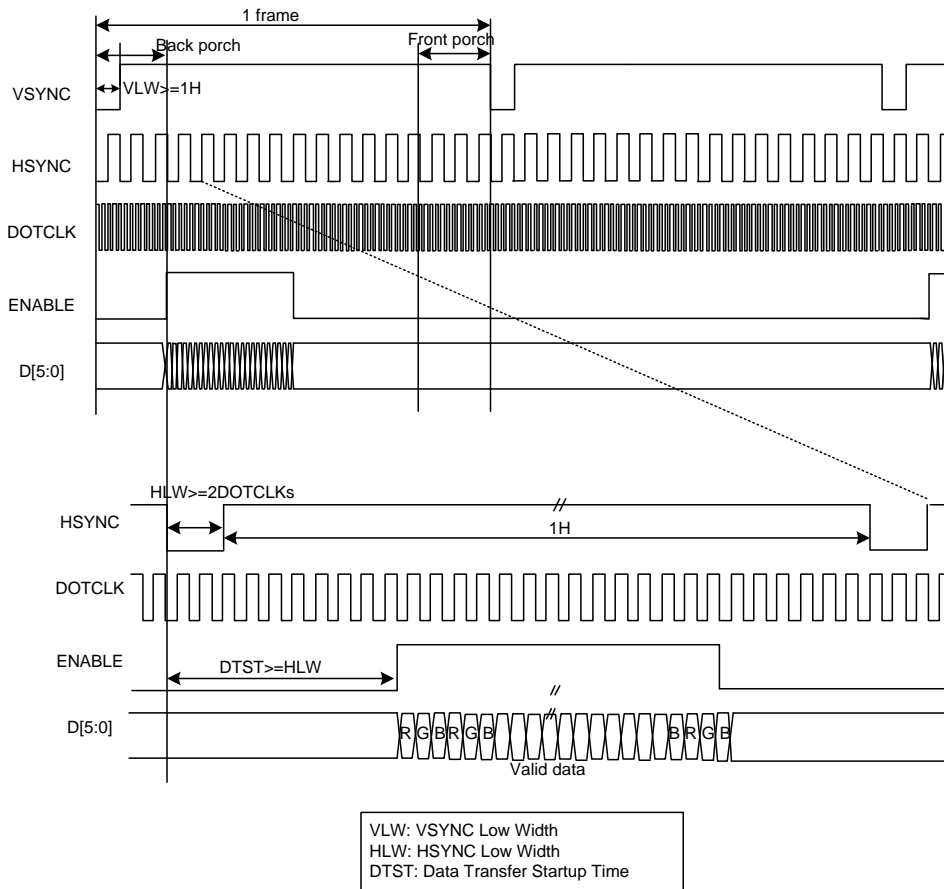
Mode2 RGB SYNC+DE mode

Note 1: The DE signal is not needed when RGB interface SYNC mode is selected.

Note 2: VSPL='0', HSPL='0', DPL='0' and EPL='0' of "Interface Mode Control (B0h)" command.

The timing chart of 6-bit RGB interface mode is shown as below:

Figure34.



Note 1: 6-bit RGB interface mode only used in the DE interface.

Note 2: VSPL='0', HSPL='0', DPL='0' and EPL='0' of "Interface Mode Control (B0h)" command.

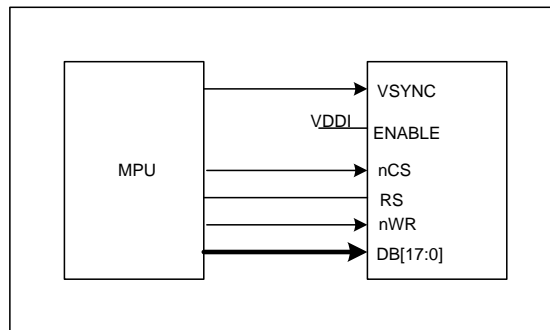
Note 3: In 6-bit RGB interface mode, each dot of one pixel (R, G and B) is transferred in synchronization with DOTCLK.

Note 4: In 6-bit RGB interface mode, set the cycles of VSYNC, HSYNC and DE to 3 multiples of DOTCLK.

4.3. VSYNC Interface

GC9307 supports the VSYNC interface in synchronization with the frame-synchronizing signal VSYNC to display the moving picture with the 8080- I /8080- II system interface. When the VSYNC interface is selected to display a moving picture, the minimum GRAM update speed is limited and the VSYNC interface is enabled by setting DM[1:0] = "10" and RM = "0".

Figure35.



Note 1: In the VSYNC mode, the pin ENABLE should connect to IOVCC.

In the VSYNC mode, the display operation is synchronized with the internal clock and VSYNC input and the frame rate is determined by the pulse rate of VSYNC signal. All display data are stored in GRAM to minimize total data transfer required for moving picture display.

Figure36.

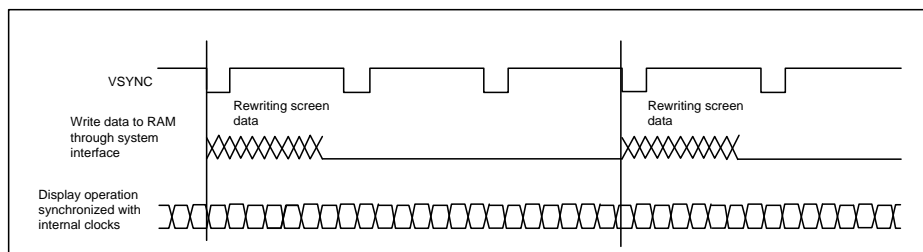
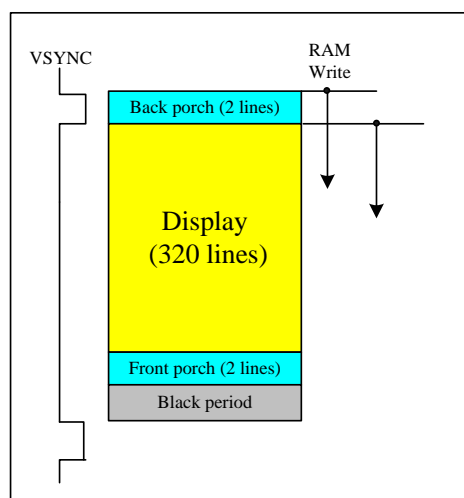


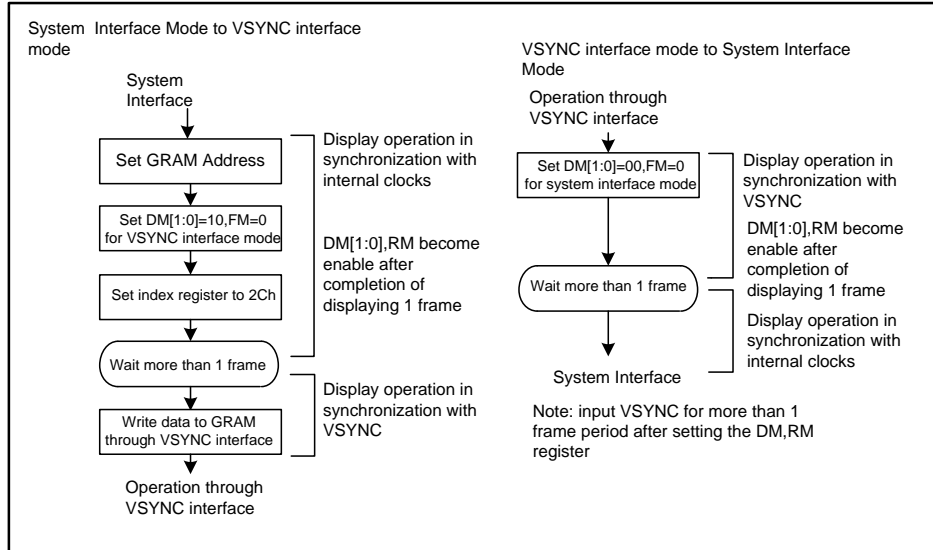
Figure37.



Notes in using the VSYNC interface

1. The minimum GRAM write speed must be satisfied and the frequency variation must be taken into consideration.
2. The display frame rate is determined by the VSYNC signal and the period of VSYNC must be longer than the scan period of an entire display.
3. When switching from the internal clock operation mode (DM[1:0] = "00") to the VSYNC interface mode or inversely, the switching starts from the next VSYNC cycle, i.e. after completing the display of the frame.
4. The partial display, vertical scroll, and interlaced scan functions are not available in VSYNC interface mode.

Figure38.



4.4. Display Data RAM (DDRAM)

GC9307 has an integrated 240x320x18-bit graphic type static RAM. This 172,800-byte memory allows storing a 240xRGBx320 image with an 18-bit resolution (262K-color). There is no abnormal visible effect on the display when there are simultaneous panel display read and interface read/write to the same location of the frame memory.

4.5. Display Data Format

GC9307 supplies 18-/16-/9-/8-bit parallel MCU interface with 8080- I /8080- II series, 3-/4-line serial interface and 6-/16-18-bit parallel RGB interface. The parallel MCU interface and serial interface mode can be selected by external pins IM [3:0] and RGB interface mode can be selected by software command parameters RCM[1:0].

4.5.1. 3-line Serial Interface

The 3-line/9-bit serial bus interface of GC9307 can be used by setting external pin as IM [3:0] to "0101" for serial interface I or IM [3:0] to "1101" for serial interface II. The shown figure is the example of 3-line SPI interface.

Figure39.

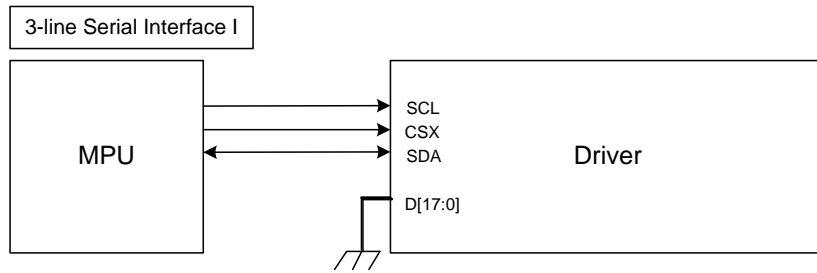
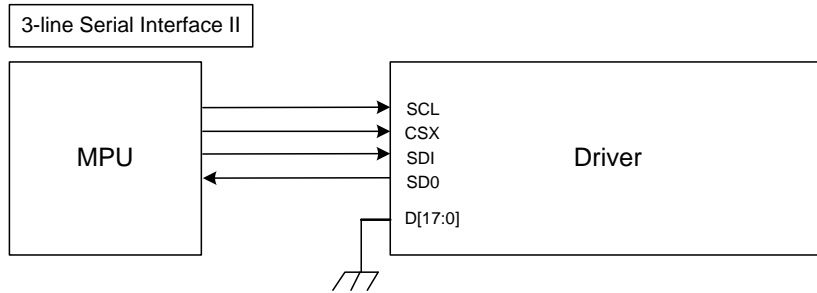


Figure40.

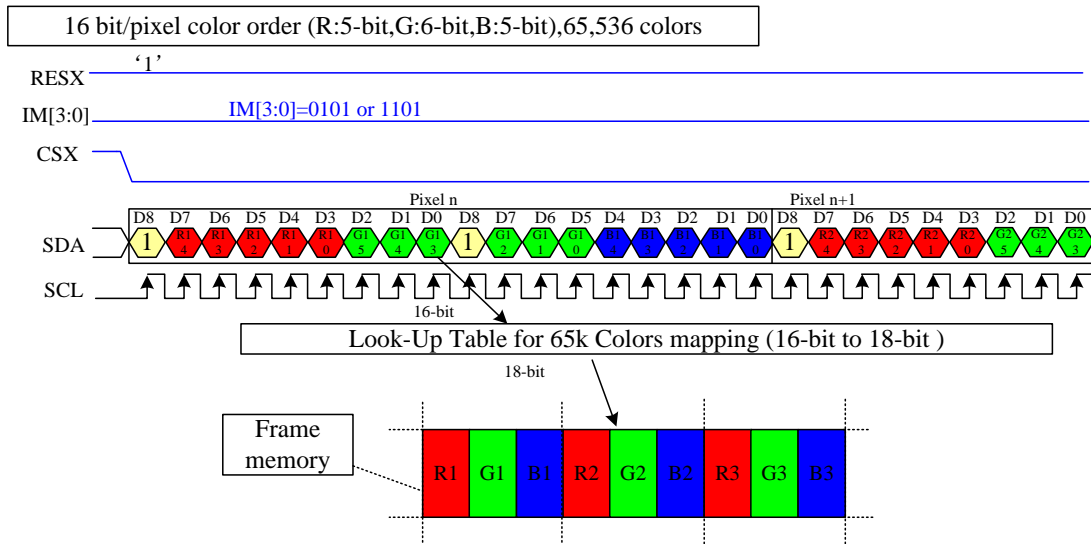


In 3-line serial interface, different display data format is available for two color depths supported by the LCM listed below.

- 65k colors, RGB 5, 6, 5 -bits input
- 262k colors, RGB 6, 6, 6 -bits input.

1)65K-Colors:16-bit/pixel(RGB 5, 6, 5 -bits input).

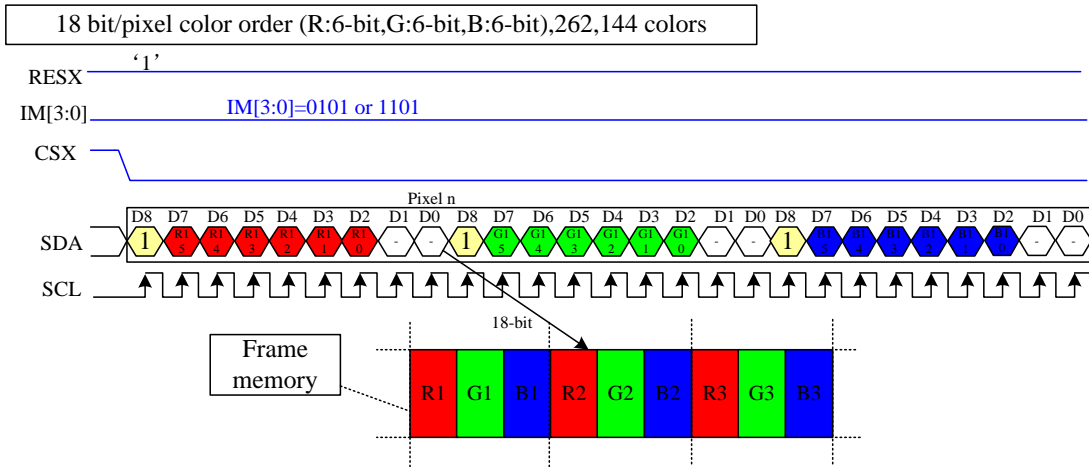
Figure41.



- Note 1: The pixel data with 16-bit color depth information.
- Note 2: The most significant bits are: Rx4, Gx5 and Bx4.
- Note 3: The least significant bits are: Rx0, Gx0 and Bx0.
- Note 4: '-=' Don't care –Can be set "0" or "1".

2)262K-Colors:18-bit/pixel(RGB 6, 6, 6 -bits input).

Figure42.



Note 1: The pixel data with 18-bit color depth information.

Note 2: The most significant bits are: Rx5, Gx5 and Bx5.

Note 3: The least significant bits are : Rx0, Gx0 and Bx0.

Note 4: '-'= Don't care - Can be set "0" or "1".

4.5.2. 4-line Serial Interface

The 4-line/8-bit serial bus interface of GC9307 can be used by setting external pin as IM [3:0] to "0110" for serial interface I or IM [3:0] to "1110" for serial interface II. The shown figure is the example of 4-line SPI interface.

Figure43.

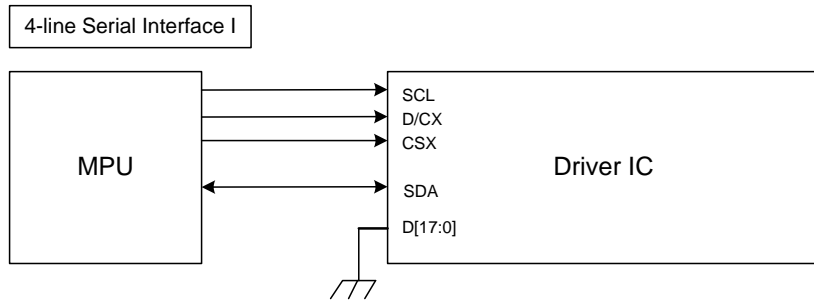
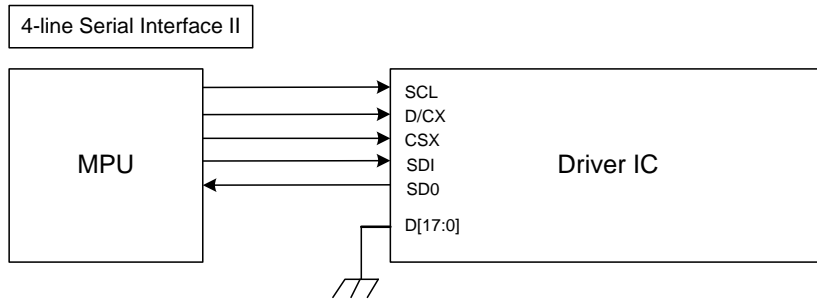


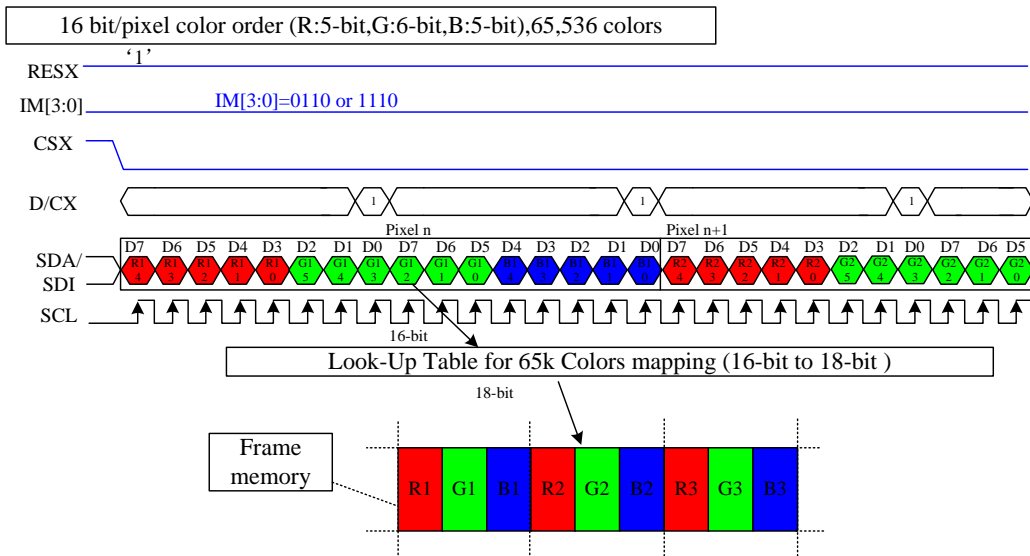
Figure44.



In 4-line serial interface, different display data format is available for two color depths supported by the LCM listed below.

- 65k colors, RGB 5, 6, 5 -bits input.
- 262k colors, RGB 6, 6, 6 -bits input.

Figure45.



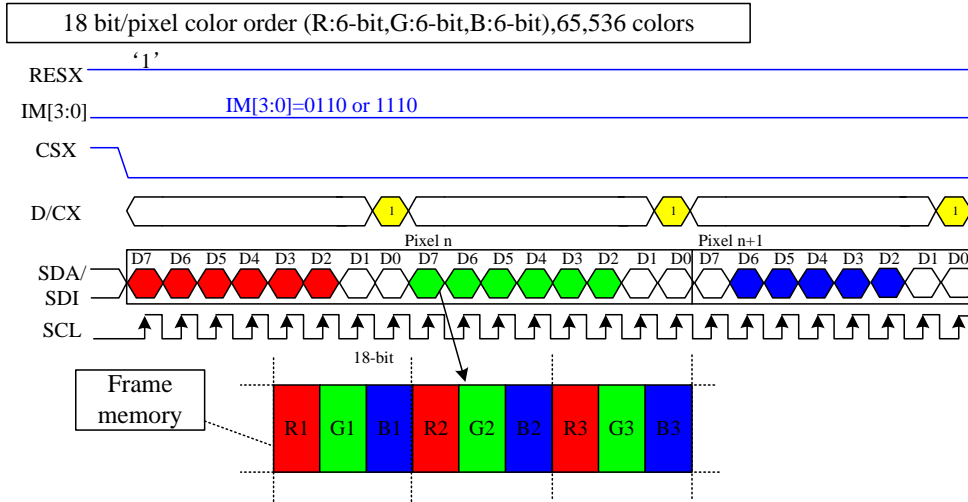
Note 1: The pixel data with 16-bit color depth information.

Note 2: The most significant bits are: Rx4, Gx5 and Bx4.

Note 3: The least significant bits are: Rx0, Gx0 and Bx0.

Note 4: '-=' Don't care –Can be set "0" or "1".

Figure46.



Note 1: The pixel data with 18-bit color depth information.

Note 2: The most significant bits are: Rx5, Gx5 and Bx5.

Note 3: The least significant bits are: Rx0, Gx0 and Bx0.

Note 4: '-=' Don't care –Can be set "0" or "1".

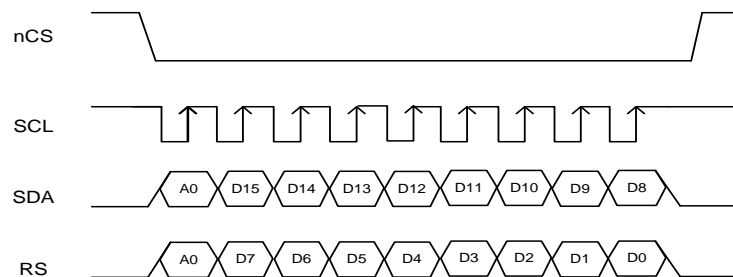
4.5.3. 2-data-line mode

This mode is active when 2data_en (E9h[3]) set to "1" in 3-wire. Only frame pixle data write transitions are sent in 2-data-line mode, register write/read is still sent in 3-wire.

The chip-select nCS (active low) enables and disables the serial interface. SCL is the serial data clock. SDA and DCX are serial data lines.

Serial data must be input to SDA in the sequence A0, D15 to D10 and DCX in the sequence A0, D7 to D0. The GC9307 reads the data at the rising edge of SCL signal. The first bit of serial data A0 is data/command flag. It must be set to "1", D15 to D0 bits are display RAM data.

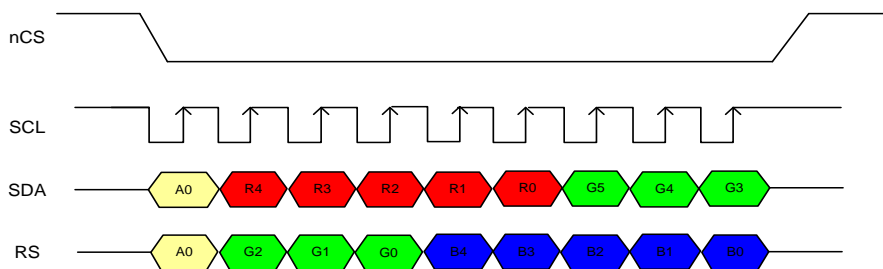
Figure47.



Five data formats are supported in 2-data-line mode, which is indicated by 2data_mdt (E9h[2:0]) .

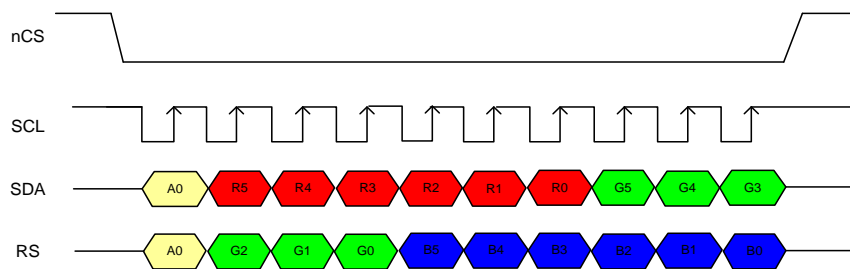
1)RGB565 1pixel/transition(65K color,2data_mdt[2:0]='000')

Figure48.



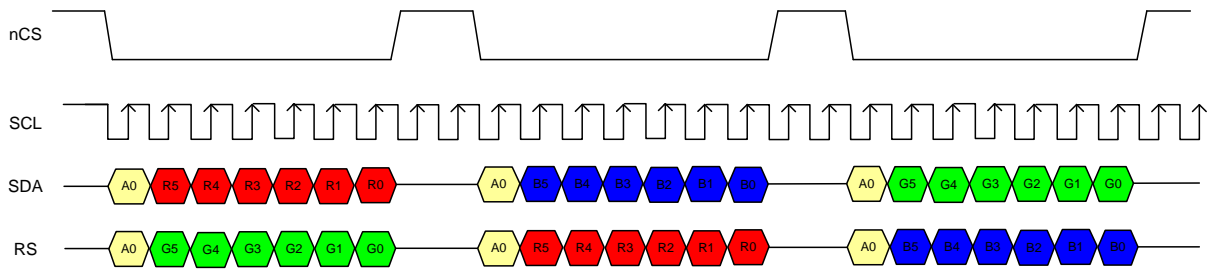
2)RGB666 1pixel/transition(262K color,2data_mdt[2:0]='001')

Figure49.



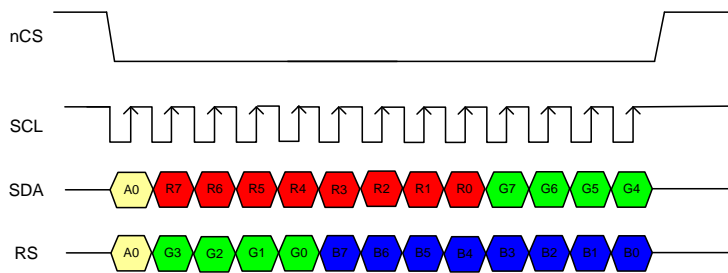
3)RGB666 2/3pixel/transition(262K color,2data_mdt[2:0]='010')

Figure50.



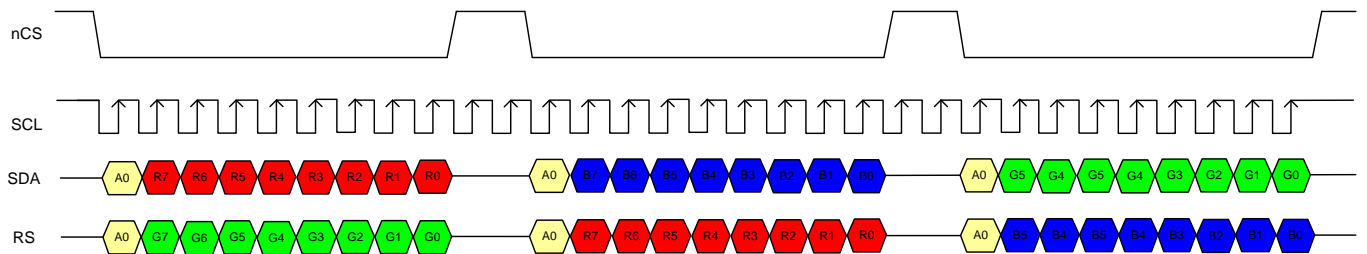
4)RGB888 1pixel/transition(4M color,2data_mdt[2:0]='100')

Figure51.



5)RGB888 2/3pixel/transition(4M color,2data_mdt[2:0]='110')

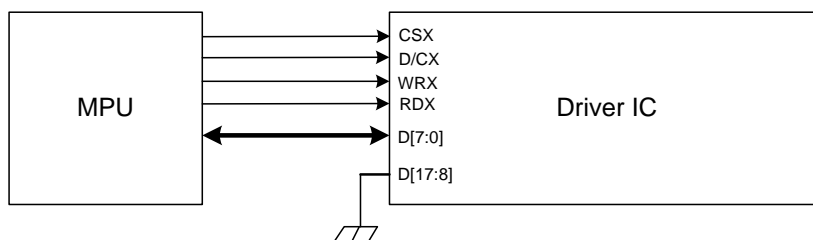
Figure52.



4.5.4. 8-bit Parallel MCU Interface

The 8080- I system 8-bit parallel bus interface of GC9307 can be used by setting external pin as IM [3:0] to “0000”. The following shown figure is the example of interface with 8080- I MCU system interface.

Figure53.



Different display data formats are available for two color depths supported by listed below.

- 65K-Colors, RGB 5, 6, 5 -bits input data.
- 262K-Colors, RGB 6, 6, 6 -bits input data.

1) 65K-Colors:16-bit/pixel(RGB 5, 6, 5 -bits input).

One pixel (3 sub-pixels) display data is sent by 2 byte transfers when DBI [2:0] bits of 3Ah register are set to “101”.

Table 11.

Count	0	1	2	3	4	...	477	478	479	480
D/CX	0	1	1	1	1	...	1	1	1	1
D7	C7	0R4	0G2	1R4	1G2	...	238R4	238G2	239R4	239G2
D6	C6	0R3	0G1	1R3	1G1	...	238R3	238G1	239R3	239G1
D5	C5	0R2	0G0	1R2	1G0	...	238R2	238G0	239R2	239G0
D4	C4	0R1	0B4	1R1	1B4	...	238R1	238B4	239R1	239B4
D3	C3	0R0	0B3	1R0	1B3	...	238R0	238B3	239R0	239B3
D2	C2	0G5	0B2	1G5	1B2	...	238G5	238B2	239G5	239B2
D1	C1	0G4	0B1	1G4	1B1	...	238G4	238B1	239G4	239B1
D0	C0	0G3	0B0	1G3	1B0	...	238G3	238B0	239G3	239B0

2) 262K-Colors:18-bit/pixel(RGB 6, 6, 6 -bits input).

One pixel (3 sub-pixels) display data is sent by 3 bytes transfer when DBI [2:0] bits of 3Ah register are set to “110”.

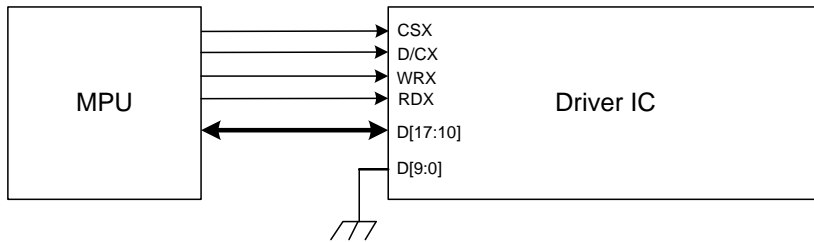
Table12.

Count	0	1	2	3	...	718	719	720
D/CX	0	1	1	1	...	1	1	1
D7	C7	0R5	0G5	0B5	...	239R5	239G5	239B5
D6	C6	0R4	0G4	0B4	...	239R4	239G4	239B4
D5	C5	0R3	0G3	0B3	...	239R3	239G3	239B3
D4	C4	0R2	0G2	0B2	...	239R2	239G2	239B2

D3	C3	0R1	0G1	0B1	...	239R1	239G1	239B1
D2	C2	0R0	0G0	0B0	...	239R0	239G0	239B0
D1	C1				...			
D0	C0				...			

The 8080-II system 8-bit parallel bus interface of GC9307 can be used by settings as IM [3:0] = "1001". The following shown figure is the example of interface with 8080- II MCU system interface.

Figure54.



Different display data formats are available for two color depths supported by listed below.

- 65K-Colors, RGB 5, 6, 5 -bits input data.
- 262K-Colors, RGB 6, 6, 6 -bits input data.

1) 65K-Colors:16-bit/pixel(RGB 5, 6, 5 -bits input).

One pixel (3 sub-pixels) display data is sent by 2 byte transfers when DBI [2:0] bits of 3Ah register are set to "101".

Table13.

Count	0	1	2	3	4	...	477	478	479	480
D/CX	0	1	1	1	1	...	1	1	1	1
D17	C7	0R4	0G2	1R4	1G2	...	238R4	238G2	239R4	239G2
D16	C6	0R3	0G1	1R3	1G1	...	238R3	238G1	239R3	239G1
D15	C5	0R2	0G0	1R2	1G0	...	238R2	238G0	239R2	239G0
D14	C4	0R1	0B4	1R1	1B4	...	238R1	238B4	239R1	239B4
D13	C3	0R0	0B3	1R0	1B3	...	238R0	238B3	239R0	239B3
D12	C2	0G5	0B2	1G5	1B2	...	238G5	238B2	239G5	239B2
D11	C1	0G4	0B1	1G4	1B1	...	238G4	238B1	239G4	239B1
D10	C0	0G3	0B0	1G3	1B0	...	238G3	238B0	239G3	239B0

2) 262K-Colors:18-bit/pixel(RGB 6, 6, 6 -bits input).

One pixel (3 sub-pixels) display data is sent by 3 bytes transfer when DBI [2:0] bits of 3Ah register are set to "110".

Table14.

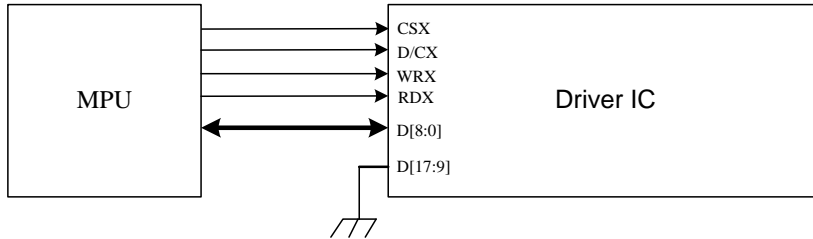
Count	0	1	2	3	...	718	719	720
D/CX	0	1	1	1	...	1	1	1
D17	C7	0R5	0G5	0B5	...	239R5	239G5	239B5
D16	C6	0R4	0G4	0B4	...	239R4	239G4	239B4
D15	C5	0R3	0G3	0B3	...	239R3	239G3	239B3
D14	C4	0R2	0G2	0B2	...	239R2	239G2	239B2

D13	C3	0R1	0G1	0B1	...	239R1	239G1	239B1
D12	C2	0R0	0G0	0B0	...	239R0	239G0	239B0
D11	C1				...			
D10	C0				...			

4.5.5. 9-bit Parallel MCU Interface

The 8080-I system 9-bit parallel bus interface of GC9307 can be selected by setting hardware pin IM [3:0] to "0010". The following shown figure is the example of interface with 8080- I MCU system interface.

Figure55.



1)262K-Colors,:18-bit/pixel(RGB 6, 6, 6 -bits input).

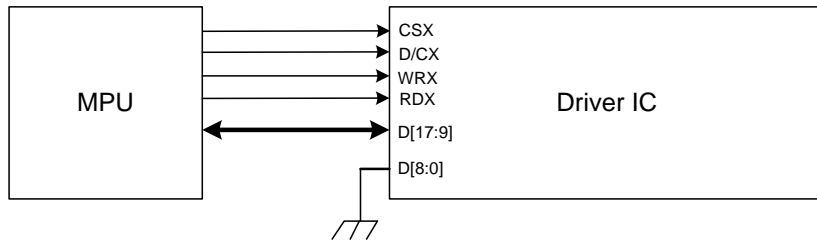
There are 2 pixels (6 sub-pixels) display data is sent by 4 transfers, when DBI [2:0] bits of 3Ah register are set to "110".

Table15.

Count	0	1	2	3	4	...	477	478	479	480
D/CX	0	1	1	1	1	...	1	1	1	1
D8		0R5	0G2	1R5	1G2	...	238R5	238G2	239R5	239G2
D7	C7	0R4	0G1	1R4	1G1	...	238R4	238G1	239R4	239G1
D6	C6	0R3	0G0	1R3	1G0	...	238R3	238G0	239R3	239G0
D5	C5	0R2	0B5	1R2	1B5	...	238R2	238B5	239R2	239B5
D4	C4	0R1	0B4	1R1	1B4	...	238R1	238B4	239R1	239B4
D3	C3	0R0	0B3	1R0	1B3	...	238R0	238B3	239R0	239B3
D2	C2	0G5	0B2	1G5	1B2	...	238G5	238B2	239G5	239B2
D1	C1	0G4	0B1	1G4	1B1	...	238G4	238B1	239G4	239B1
D0	C0	0G3	0B0	1G3	1B0	...	238G3	238B0	239G3	239B0

The 8080- II system 9-bit parallel bus interface of GC9307 can be selected by setting hardware pin IM [3:0] to “1011”. The following shown figure is the example of interface with 8080- MCU system interface.

Figure56.



1)262K-Colors,:18-bit/pixel(RGB 6, 6, 6 -bits input).

There are 2 pixels (6 sub-pixels) display data is sent by 4 transfers, when DBI [2:0] bits of 3Ah register are set to “110”.

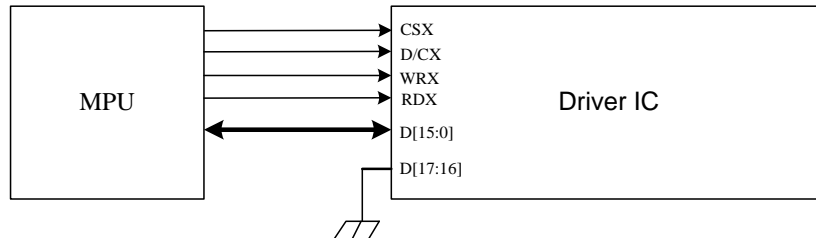
Table16.

Count	0	1	2	3	4	...	477	478	479	480
D/CX	0	1	1	1	1	...	1	1	1	1
D17	C7	0R5	0G2	1R5	1G2	...	238R5	238G2	239R5	239G2
D16	C6	0R4	0G1	1R4	1G1	...	238R4	238G1	239R4	239G1
D15	C5	0R3	0G0	1R3	1G0	...	238R3	238G0	239R3	239G0
D14	C4	0R2	0B5	1R2	1B5	...	238R2	238B5	239R2	239B5
D13	C3	0R1	0B4	1R1	1B4	...	238R1	238B4	239R1	239B4
D12	C2	0R0	0B3	1R0	1B3	...	238R0	238B3	239R0	239B3
D11	C1	0G5	0B2	1G5	1B2	...	238G5	238B2	239G5	239B2
D10	C0	0G4	0B1	1G4	1B1	...	238G4	238B1	239G4	239B1
D9		0G3	0B0	1G3	1B0	...	238G3	238B0	239G3	239B0

4.5.6. 16-bit Parallel MCU Interface

The 8080- I system 16-bit parallel bus interface of GC9307 can be selected by setting hardware pin IM[3:0] to “0001”.The following shown figure is the example of interface with 8080- I MCU system interface.

Figure57.



Different display data format is available for two colors depth supported by listed below.

- 65K-Colors, RGB 5, 6, 5 -bits input data.
- 262K-Colors, RGB 6, 6, 6 -bits input data.

1)65K-Colors:16-bit/pixel(RGB 5, 6, 5 -bits input).

One pixel (3 sub-pixels) display data is sent by 1 transfer when DBI [2:0] bits of 3Ah register are set to “101”.

Table17.

Count	0	1	2	3	...	238	239	240
D/CX	0	1	1	1	...	1	1	1
D15		0R4	1R4	2R4	...	237R4	238R4	239R4
D14		0R3	1R3	2R3	...	237R3	238R3	239R3
D13		0R2	1R2	2R2	...	237R2	238R2	239R2
D12		0R1	1R1	2R1	...	237R1	238R1	239R1
D11		0R0	1R0	2R0	...	237R0	238R0	239R0
D10		0G5	1G5	2G5	...	237G5	238G5	239G5
D9		0G4	1G4	2G4	...	237G4	238G4	239G4
D8		0G3	1G3	2G3	...	237G3	238G3	239G3
D7	C7	0G2	1G2	2G2	...	237G2	238G2	239G2
D6	C6	0G1	1G1	2G1	...	237G1	238G1	239G1
D5	C5	0G0	1G0	2G0	...	237G0	238G0	239G0
D4	C4	0B4	1B4	2B4	...	237B4	238B4	239B4
D3	C3	0B3	1B3	2B3	...	237B3	238B3	239B3
D2	C2	0B2	1B2	2B2	...	237B2	238B2	239B2
D1	C1	0B1	1B1	2B1	...	237B1	238B1	239B1
D0	C0	0B0	1B0	2B0	...	237B0	238B0	239B0

2)262K-Colors:18-bit/pixel(RGB 6, 6, 6 -bits input).

One pixel (3 sub-pixels) display data is sent by 2 transfers when DBI [2:0] bits of 3Ah register are set to “110”.

1)MDT[1:0]= “00”

Table18.

Count	0	1	2	3	...	238	239	240
D/CX	0	1	1	1	...	1	1	1
D15		0R5	0B5	1G5	...	238R5	238B5	239G5
D14		0R4	0B4	1G4	...	238R4	238B4	239G4
D13		0R3	0B3	1G3	...	238R3	238B3	239G3
D12		0R2	0B2	1G2	...	238R2	238B2	239G2
D11		0R1	0B1	1G1	...	238R1	238B1	239G1
D10		0R0	0B0	1G0	...	238R0	238B0	239G0
D9								
D8								
D7	C7	0G5	1R5	1B5	...	238G5	239R5	239B5
D6	C6	0G4	1R4	1B4	...	238G4	239R4	239B4
D5	C5	0G3	1R3	1B3	...	238G3	239R3	239B3
D4	C4	0G2	1R2	1B2	...	238G2	239R2	239B2
D3	C3	0G1	1R1	1B1	...	238G1	239R1	239B1
D2	C2	0G0	1R0	1B0	...	238G0	239R0	239B0
D1	C1							
D0	C0							

2)MDT[1:0]= "01"

Table19.

Count	0	1	2	3	...	357	358	479	480	
D/CX	0	1	1	1	...	1	1	1	1	
D15		0R5	0B5	1R5	1B5	...	238R5	238B5	239R5	239B5
D14		0R4	0B4	1R4	1B4	...	238R4	238B4	239R4	239B4
D13		0R3	0B3	1R3	1B3	...	238R3	238B3	239R3	239B3
D12		0R2	0B2	1R2	1B2	...	238R2	238B2	239R2	239B2
D11		0R1	0B1	1R1	1B1	...	238R1	238B1	239R1	239B1
D10		0R0	0B0	1R0	1B0	...	238R0	238B0	239R0	239B0
D9					...					
D8					...					
D7	C7	0G5		1G5	...	238G5		239G5		
D6	C6	0G4		1G4	...	238G4		239G4		
D5	C5	0G3		1G3	...	238G3		239G3		
D4	C4	0G2		1G2	...	238G2		239G2		
D3	C3	0G1		1G1	...	238G1		239G1		
D2	C2	0G0		1G0	...	238G0		239G0		
D1	C1				...					
D0	C0				...					

3)MDT[1:0]= "10"

Table20.

Count	0	1	2	3	...	357	358	479	480
-------	---	---	---	---	-----	-----	-----	-----	-----

D/CX	0	1	1	1		...	1	1	1	1
D15		0R5	0B1	1R5	1B1	...	238R5	238B1	239R5	239B1
D14		0R4	0B0	1R4	1B0	...	238R4	238B0	239R4	239B0
D13		0R3		1R3		...	238R3		239R3	
D12		0R2		1R2		...	238R2		239R2	
D11		0R1		1R1		...	238R1		239R1	
D10		0R0		1R0		...	238R0		239R0	
D9		0G5		1G5		...	238G5		239G5	
D8		0G4		1G4		...	238G4		239G4	
D7	C7	0G3		1G3		...	238G3		239G3	
D6	C6	0G2		1G2		...	238G2		239G2	
D5	C5	0G1		1G1		...	238G1		239G1	
D4	C4	0G0		1G0		...	238G0		239G0	
D3	C3	0B5		1B5		...	238B5		239B5	
D2	C2	0B4		1B4		...	238B4		239B4	
D1	C1	0B3		1B3		...	238B3		239B3	
D0	C0	0B2		1B2		...	238B2		239B2	

4)MDT[1:0]= "11"

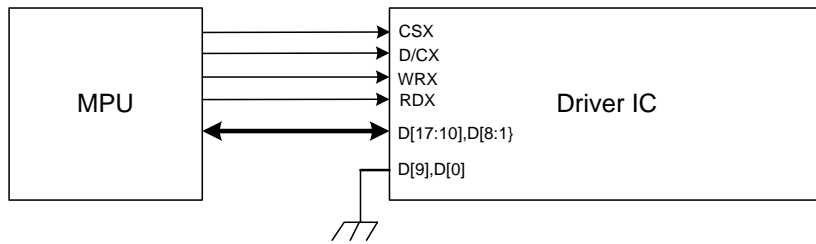
Table21.

Count	0	1	2	3		...	357	358	479	480
D/CX	0	1	1	1		...	1	1	1	1
D15			0R3		1R3	...		238R3		239R3
D14			0R2		1R2	...		238R2		239R2
D13			0R1		1R1	...		238R1		239R1
D12			0R0		1R0	...		238R0		239R0
D11			0G5		1G5	...		238G5		239G5
D10			0G4		1G4	...		238G4		239G4
D9			0G3		1G3	...		238G3		239G3
D8			0G2		1G2	...		238G2		239G2
D7	C7		0G1		1G1	...		238G1		239G1
D6	C6		0G0		1G0	...		238G0		239G0
D5	C5		0B5		1B5	...		238B5		239B5
D4	C4		0B4		1B4	...		238B4		239B4
D3	C3		0B3		1B3	...		238B3		239B3
D2	C2		0B2		1B2	...		238B2		239B2
D1	C1	0R5	0B1	1R5	1B1	...	238R5	238B1	239R5	239B1
D0	C0	0R4	0B0	1R4	1B0	...	238R4	238B0	239R4	239B0

The 8080-II system 16-bit parallel bus interface of GC9307 can be selected by settings IM [3:0] ="1000".

The following shown figure is the example of interface with 8080- MCU system interface.

Figure58.



Different display data format is available for two colors depth supported by listed below.

- 65K-Colors, RGB 5, 6, 5 -bits input data.
- 262K-Colors, RGB 6, 6, 6 -bits input data.

1) 65K-Colors:16-bit/pixel(RGB 5, 6, 5 -bits input).

One pixel (3 sub-pixels) display data is sent by 1 transfer when DBI [2:0] bits of 3Ah register are set to “101”.

Table22.

Count	0	1	2	3	...	238	239	240
D/CX	0	1	1	1	...	1	1	1
D17		0R4	1R4	2R4	...	237R4	238R4	239R4
D16		0R3	1R3	2R3	...	237R3	238R3	239R3
D15		0R2	1R2	2R2	...	237R2	238R2	239R2
D14		0R1	1R1	2R1	...	237R1	238R1	239R1
D13		0R0	1R0	2R0	...	237R0	238R0	239R0
D12		0G5	1G5	2G5	...	237G5	238G5	239G5
D11		0G4	1G4	2G4	...	237G4	238G4	239G4
D10		0G3	1G3	2G3	...	237G3	238G3	239G3
D8	C7	0G2	1G2	2G2	...	237G2	238G2	239G2
D7	C6	0G1	1G1	2G1	...	237G1	238G1	239G1
D6	C5	0G0	1G0	2G0	...	237G0	238G0	239G0
D5	C4	0B4	1B4	2B4	...	237B4	238B4	239B4
D4	C3	0B3	1B3	2B3	...	237B3	238B3	239B3
D3	C2	0B2	1B2	2B2	...	237B2	238B2	239B2
D2	C1	0B1	1B1	2B1	...	237B1	238B1	239B1
D1	C0	0B0	1B0	2B0	...	237B0	238B0	239B0

2)262K-Colors:18-bit/pixel(RGB 6, 6, 6 -bits input).

One pixel (3 sub-pixels) display data is sent by 2 transfers when DBI [2:0] bits of 3Ah register are set to “110”.

1)MDT[1:0]=00

Table23.

Count	0	1	2	3	...	238	239	240
D/CX	0	1	1	1	...	1	1	1
D17		0R5	0B5	1G5	...	238R5	238B5	239G5
D16		0R4	0B4	1G4	...	238R4	238B4	239G4
D15		0R3	0B3	1G3	...	238R3	238B3	239G3

D14		0R2	0B2	1G2	...	238R2	238B2	239G2
D13		0R1	0B1	1G1	...	238R1	238B1	239G1
D12		0R0	0B0	1G0	...	238R0	238B0	239G0
D11								
D10								
D8	C7	0G5	1R5	1B5	...	238G5	239R5	239B5
D7	C6	0G4	1R4	1B4	...	238G4	239R4	239B4
D6	C5	0G3	1R3	1B3	...	238G3	239R3	239B3
D5	C4	0G2	1R2	1B2	...	238G2	239R2	239B2
D4	C3	0G1	1R1	1B1	...	238G1	239R1	239B1
D3	C2	0G0	1R0	1B0	...	238G0	239R0	239B0
D2	C1							
D1	C0							

2)MDT[1:0]=01

Table24.

Count	0	1	2	3	...	357	358	479	480	
D/CX	0	1	1	1	...	1	1	1	1	
D17		0R5	0B5	1R5	1B5	...	238R5	238B5	239R5	239B5
D16		0R4	0B4	1R4	1B4	...	238R4	238B4	239R4	239B4
D15		0R3	0B3	1R3	1B3	...	238R3	238B3	239R3	239B3
D14		0R2	0B2	1R2	1B2	...	238R2	238B2	239R2	239B2
D13		0R1	0B1	1R1	1B1	...	238R1	238B1	239R1	239B1
D12		0R0	0B0	1R0	1B0	...	238R0	238B0	239R0	239B0
D11					...					
D10					...					
D8	C7	0G5		1G5	...	238G5		239G5		
D7	C6	0G4		1G4	...	238G4		239G4		
D6	C5	0G3		1G3	...	238G3		239G3		
D5	C4	0G2		1G2	...	238G2		239G2		
D4	C3	0G1		1G1	...	238G1		239G1		
D3	C2	0G0		1G0	...	238G0		239G0		
D2	C1				...					
D1	C0				...					

3)MDT[1:0]=10

Table25.

Count	0	1	2	3	...	357	358	479	480	
D/CX	0	1	1	1	...	1	1	1	1	
D17		0R5	0B1	1R5	1B1	...	238R5	238B1	239R5	239B1
D16		0R4	0B0	1R4	1B0	...	238R4	238B0	239R4	239B0
D15		0R3		1R3		...	238R3		239R3	

D14		0R2		1R2		...	238R2		239R2	
D13		0R1		1R1		...	238R1		239R1	
D12		0R0		1R0		...	238R0		239R0	
D11		0G5		1G5		...	238G5		239G5	
D10		0G4		1G4		...	238G4		239G4	
D8	C7	0G3		1G3		...	238G3		239G3	
D7	C6	0G2		1G2		...	238G2		239G2	
D6	C5	0G1		1G1		...	238G1		239G1	
D5	C4	0G0		1G0		...	238G0		239G0	
D4	C3	0B5		1B5		...	238B5		239B5	
D3	C2	0B4		1B4		...	238B4		239B4	
D2	C1	0B3		1B3		...	238B3		239B3	
D1	C0	0B2		1B2		...	238B2		239B2	

4)MDT[1:0]=11

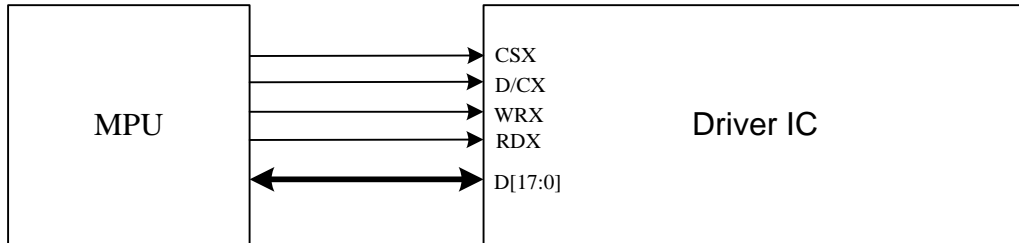
Table26.

Count	0	1	2	3		...	357	358	479	480
D/CX	0	1	1	1		...	1	1	1	1
D17			0R3		1R3	...		238R3		239R3
D16			0R2		1R2	...		238R2		239R2
D15			0R1		1R1	...		238R1		239R1
D14			0R0		1R0	...		238R0		239R0
D13			0G5		1G5	...		238G5		239G5
D12			0G4		1G4	...		238G4		239G4
D11			0G3		1G3	...		238G3		239G3
D10			0G2		1G2	...		238G2		239G2
D8	C7		0G1		1G1	...		238G1		239G1
D7	C6		0G0		1G0	...		238G0		239G0
D6	C5		0B5		1B5	...		238B5		239B5
D5	C4		0B4		1B4	...		238B4		239B4
D4	C3		0B3		1B3	...		238B3		239B3
D3	C2		0B2		1B2	...		238B2		239B2
D2	C1	0R5	0B1	1R5	1B1	...	238R5	238B1	239R5	239B1
D1	C0	0R4	0B0	1R4	1B0	...	238R4	238B0	239R4	239B0

4.5.7. 18-bit Parallel MCU Interface

The 8080-I system 18-bit parallel bus interface of GC9307 can be selected by setting hardware pin IM[3:0] to “0011”. The following shown figure is the example of interface with 8080-I MCU system interface.

Figure58.



Different display data format is available for one color depth only supported by listed below.

- 65K-Colors, RGB 5, 6, 5 -bits input data.
- 262K-Colors, RGB 6, 6, 6 -bits input data.

1) 65K-Colors:16-bit/pixel(RGB 5, 6, 5 -bits input).

One pixel (3 sub-pixels) display data is sent by 1 transfer when DBI [2:0] bits of 3Ah register are set to “101”.

Table27.

Count	0	1	2	3	...	238	239	240
D/CX	0	1	1	1	...	1	1	1
D17								
D16								
D15		0R4	1R4	2R4	...	237R4	238R4	239R4
D14		0R3	1R3	2R3	...	237R3	238R3	239R3
D13		0R2	1R2	2R2	...	237R2	238R2	239R2
D12		0R1	1R1	2R1	...	237R1	238R1	239R1
D11		0R0	1R0	2R0	...	237R0	238R0	239R0
D10		0G5	1G5	2G5	...	237G5	238G5	239G5
D9		0G4	1G4	2G4	...	237G4	238G4	239G4
D8		0G3	1G3	2G3	...	237G3	238G3	239G3
D7	C7	0G2	1G2	2G2	...	237G2	238G2	239G2
D6	C6	0G1	1G1	2G1	...	237G1	238G1	239G1
D5	C5	0G0	1G0	2G0	...	237G0	238G0	239G0
D4	C4	0B4	1B4	2B4	...	237B4	238B4	239B4
D3	C3	0B3	1B3	2B3	...	237B3	238B3	239B3
D2	C2	0B2	1B2	2B2	...	237B2	238B2	239B2
D1	C1	0B1	1B1	2B1	...	237B1	238B1	239B1
D0	C0	0B0	1B0	2B0	...	237B0	238B0	239B0

2)262K-Colors:18-bit/pixel(RGB 6, 6, 6 -bits input).

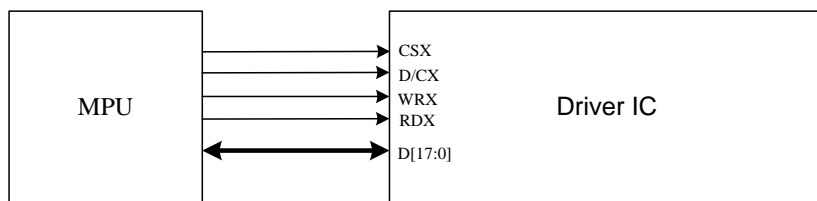
One pixel (3 sub-pixels) display data is sent by 1 transfer when DBI [2:0] bits of 3Ah register are set to “110”.

Table28.

Count	0	1	2	3	...	238	239	240
D/CX	0	1	1	1	...	1	1	1
D17		0R5	1R5	2R5	...	237R5	238R5	239R5
D16		0R4	1R4	2R4	...	237R4	238R4	239R4
D15		0R3	1R3	2R3	...	237R3	238R3	239R3
D14		0R2	1R2	2R2	...	237R2	238R2	239R2
D13		0R1	1R1	2R1	...	237R1	238R1	239R1
D12		0R0	1R0	2R0	...	237R0	238R0	239R0
D11		0G5	1G5	2G5	...	237G5	238G5	239G5
D10		0G4	1G4	2G4	...	237G4	238G4	239G4
D9		0G3	1G3	2G3	...	237G3	238G3	239G3
D8		0G2	1G2	2G2	...	237G2	238G2	239G2
D7	C7	0G1	1G1	2G1	...	237G1	238G1	239G1
D6	C6	0G0	1G0	2G0	...	237G0	238G0	239G0
D5	C5	0B5	1B5	2B5	...	237B5	238B5	239B5
D4	C4	0B4	1B4	2B4	...	237B4	238B4	239B4
D3	C3	0B3	1B3	2B3	...	237B3	238B3	239B3
D2	C2	0B2	1B2	2B2	...	237B2	238B2	239B2
D1	C1	0B1	1B1	2B1	...	237B1	238B1	239B1
D0	C0	0B0	1B0	2B0	...	237B0	238B0	239B0

The 8080-II system 18-bit parallel bus interface mode can be selected by settings IM [3:0] = “1010”. The following shown figure is the example of interface with 8080- MCU system interface.

Figure59.



Different display data format is available for one color depth only supported by listed below.

- 65K-Colors, RGB 5, 6, 5 -bits input data.
- 262K-Colors, RGB 6, 6, 6 -bits input data.

1)65K-Colors:16-bit/pixel(RGB 5, 6, 5 -bits input).

One pixel (3 sub-pixels) display data is sent by 1 transfer when DBI [2:0] bits of 3Ah register are set to “101”.

Table29.

Count	0	1	2	3	...	238	239	240
D/CX	0	1	1	1	...	1	1	1
D17								
D16								
D15		0R4	1R4	2R4	...	237R4	238R4	239R4
D14		0R3	1R3	2R3	...	237R3	238R3	239R3
D13		0R2	1R2	2R2	...	237R2	238R2	239R2
D12		0R1	1R1	2R1	...	237R1	238R1	239R1
D11		0R0	1R0	2R0	...	237R0	238R0	239R0
D10		0G5	1G5	2G5	...	237G5	238G5	239G5
D9		0G4	1G4	2G4	...	237G4	238G4	239G4
D8	C7	0G3	1G3	2G3	...	237G3	238G3	239G3
D7	C6	0G2	1G2	2G2	...	237G2	238G2	239G2
D6	C5	0G1	1G1	2G1	...	237G1	238G1	239G1
D5	C4	0G0	1G0	2G0	...	237G0	238G0	239G0
D4	C3	0B4	1B4	2B4	...	237B4	238B4	239B4
D3	C2	0B3	1B3	2B3	...	237B3	238B3	239B3
D2	C1	0B2	1B2	2B2	...	237B2	238B2	239B2
D1	C0	0B1	1B1	2B1	...	237B1	238B1	239B1
D0		0B0	1B0	2B0	...	237B0	238B0	239B0

2)262K-Colors:18-bit/pixel(RGB 6, 6, 6 -bits input).

One pixel (3 sub-pixels) display data is sent by 1 transfer when DBI [2:0] bits of 3Ah register are set to "110".

Table30.

Count	0	1	2	3	...	238	239	240
D/CX	0	1	1	1	...	1	1	1
D17		0R5	1R5	2R5	...	237R5	238R5	239R5
D16		0R4	1R4	2R4	...	237R4	238R4	239R4
D15		0R3	1R3	2R3	...	237R3	238R3	239R3
D14		0R2	1R2	2R2	...	237R2	238R2	239R2
D13		0R1	1R1	2R1	...	237R1	238R1	239R1
D12		0R0	1R0	2R0	...	237R0	238R0	239R0
D11		0G5	1G5	2G5	...	237G5	238G5	239G5
D10		0G4	1G4	2G4	...	237G4	238G4	239G4
D9		0G3	1G3	2G3	...	237G3	238G3	239G3
D8	C7	0G2	1G2	2G2	...	237G2	238G2	239G2
D7	C6	0G1	1G1	2G1	...	237G1	238G1	239G1
D6	C5	0G0	1G0	2G0	...	237G0	238G0	239G0
D5	C4	0B5	1B5	2B5	...	237B5	238B5	239B5
D4	C3	0B4	1B4	2B4	...	237B4	238B4	239B4

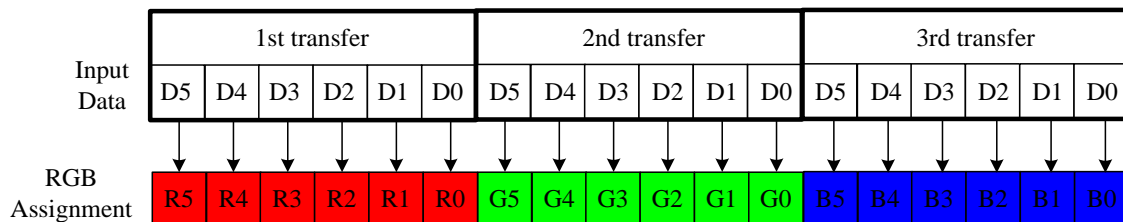
D3	C2	0B3	1B3	2B3	...	237B3	238B3	239B3
D2	C1	0B2	1B2	2B2	...	237B2	238B2	239B2
D1	C0	0B1	1B1	2B1	...	237B1	238B1	239B1
D0		0B0	1B0	2B0	...	237B0	238B0	239B0

4.5.8. 6-bit Parallel RGB Interface

The 6-bit RGB interface is selected by setting the RIM bit to “1”. When RCM [1:0] are set to “10” and DE mode is selected, the display operation is synchronized with VSYNC, HSYNC and DOTCLK signals. The display data are transferred to the internal GRAM in synchronization with the display operation via 6-bit RGB data bus (D [5:0]) according to the data enable signal (DE) when RCM [1:0] are set to “10”. the valid display data is inputted in pixel unit via D [5:0] according to the VFP/VBP and HFP/HBP settings. Unused pins must be connected to GND to ensure normally operation. Registers can be set by the SPI system interface.

1)262K-Colors:18-bit/pixel(RGB 6, 6, 6 -bits input).

Figure60.



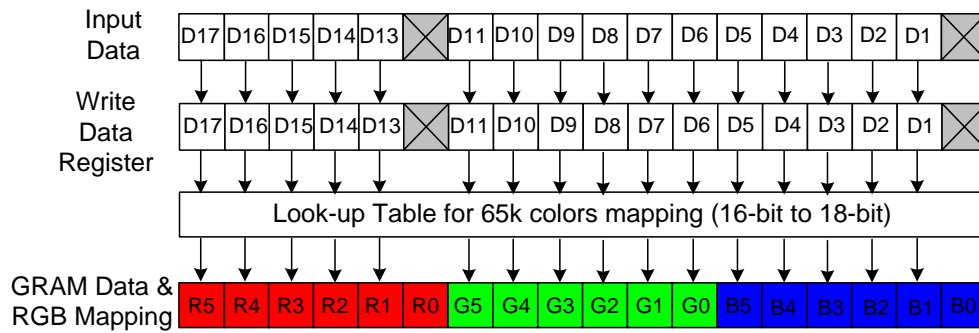
GC9307 has data transfer counters to count the first, second, third data transfer in 6-bit RGB interface mode. The transfer counter is always reset to the state of first data transfer on the falling edge of VSYNC. If a mismatch arises in the number of each data transfer, the counter is reset to the state of first data transfer at the start of the frame (i.e. on the falling edge of VSYNC) to restart data transfer in the correct order from the next frame. This function is expedient for moving picture display, which requires consecutive data transfer in light of minimizing effects from failed data transfer and enabling the system to return to a normal state.

Note that internal display operation is performed in units of pixels (RGB: taking 3 inputs of DOTCLK).Accordingly, the number of DOTCLK inputs in one frame period must be a multiple of 3 to complete data transfer correctly. Otherwise it will affect the display of that frame as well as the next frame.

4.5.9. 16-bit Parallel RGB Interface

The 16-bit RGB interface is selected by setting the DPI [2:0] bits to “101”. When RCM [1:0] are set to “10” and DE mode is selected, the display operation is synchronized with VSYNC, HSYNC and DOTCLK signals. The display data is transferred to the internal GRAM in synchronization with the display operation via 16-bit RGB data bus (D[17:13] & D[11:0]) according to the data enable signal (DE). The RGB interface SYNC mode is selected by setting the RCM [1:0] to “11”, the valid display data is inputted in pixel unit via D[17:13] & D[11:0] according to the VFP/VBP and HFP/HBP settings. The unused D12 and D0 pins must be connected to GND for ensure normally operation. Registers can be set by the SPI system interface.

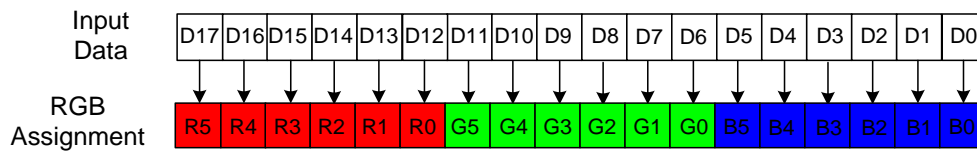
Figure62.



4.5.10. 18-bit Parallel RGB Interface

The 18-bit RGB interface is selected by setting the DPI [2:0] bits to “110”. When RCM [1:0] are set to “10” and DE mode is selected, the display operation is synchronized with VSYNC, HSYNC and DOTCLK signals. The display data are transferred to the internal GRAM in synchronization with the display operation via 18-bit RGB data bus (D [17:0]) according to the data enable signal (DE) when RCM [1:0] are set to “10”. The RGB interface SYNC mode is selected by setting the RCM [1:0] to “11”, the valid display data is inputted in pixel unit via D[17:0] according to the VFP/VBP and HFP/HBP settings. Registers can be set by the SPI system interface.

Figure63.



5. Function Description

5.1. Display data GRAM mapping

The display data RAM stores display dots and consists of 1,382,400 bits (240x18x320 bits). There is no restriction on access to the RAM even when the display data on the same address is loaded to DAC. There will be no abnormal visible effect on the display when there is a simultaneous Panel Read and Interface Read or Write to the same location of the Frame Memory.

Every pixel (18-bit) data in GRAM is located by a (Page, Column) address (Y, X). By specifying the arbitrary window address **SC**, **EC** bits and **SP**, **EP** bits, it is possible to access the GRAM by setting RAMWR or RAMRD commands from start positions of the window address.

GRAM address for display panel position as shown in the following table

Table31.

(00,00)h	(00,01)h	(00,ED)h	(00,EE)h	(00,EF)h
(01,00)h	(01,01)h	(01,ED)h	(01,EE)h	(01,EF)h
(02,00)h	(02,01)h	(02,ED)h	(02,EE)h	(02,EF)h
(03,00)h	(03,01)h	(03,ED)h	(03,EE)h	(03,EF)h
.
(13D,00)h	(13D,01)h	(13D,ED)h	(13D,EE)h	(13D,EF)h
(13E,00)h	(13E,01)h	(13E,ED)h	(13E,EE)h	(13E,EF)h
(13F,00)h	(13F,01)h	(13F,ED)h	(13F,EE)h	(13F,EF)h

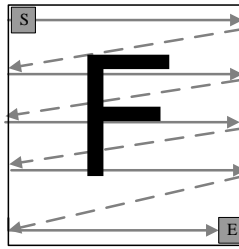
5.2. Address Counter (AC) of GRAM

The GC9307 contains an address counter (AC) which assigns address for writing/reading pixel data to/from GRAM. The address pointers set the position of GRAM. Every time when a pixel data is written into the GRAM, the X address or Y address of AC will be automatically increased by 1 (or decreased by 1), which is decided by the register (**MV**, **MX** and **MY** bits) setting.

To simplify the address control of GRAM access, the window address function allows for writing data only to a window area of GRAM specified by registers. After data being written to the GRAM, the AC will be increased or decreased within setting window address-range which is specified by the (start: **SC**, end: **EC**) and the (start: **SP**, end: **EP**). Therefore, the data can be written consecutively without thinking a data wrap by those bit function.

Image data sending order from host and data stream update as shown in the following figure.

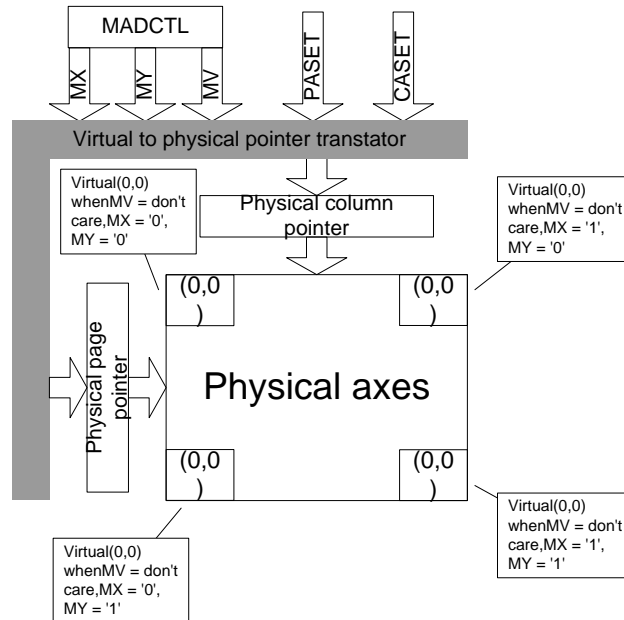
Figure64.



The data is written in the order illustrated above. The counter which dictates where in the physical memory the data is to be written is controlled by **MV**, **MX** and **MY** bits setting

Image data writing control:

Figure65.



CASET and PASET control for physical column/page pointers:

Table32.

MV	MX	MY	CASET	PASET
0	0	0	Direct to Physical Column Pointer	Direct to Physical Page Pointer
0	0	1	Direct to Physical Column Pointer	Direct to (319 - Physical Page Pointer)
0	1	0	Direct to (239 - Physical Column Pointer)	Direct to Physical Page Pointer
0	1	1	Direct to (239 - Physical Column Pointer)	Direct to (319 - Physical Page Pointer)
0	0	0	Direct to Physical Page Pointer	Direct to Physical Column Pointer
0	0	1	Direct to (319 - Physical Page Pointer)	Direct to Physical Column Pointer
0	1	0	Direct to Physical Page Pointer	Direct to (239 - Physical Column Pointer)
0	1	1	Direct to (319 - Physical Page Pointer)	Direct to (239 - Physical Column Pointer)

condition	Column Counter	Page Counter
When RAMWR/RAMRD command is accepted	Return to "Start Column"	Return to "Start Page"
Complete Pixel Pair Write/Read action	Increment by 1	No change
The Column counter value is larger than "End column."	Return to "Start Column"	Increment by 1
The Page counter value is larger than "End page".	Return to "Start column"	Return to "Start Page"

The following figure depicts the GRAM address update method with MV, MX and MY bit setting.

Table33.

Display data direction	MV	MX	MY	Image in the Host	Image in the Driver (GRAM)
normal	0	0	0		
Y-invert	0	0	1		
X-invert	0	1	0		
Y-invert X-invert	0	1	1		
X-Y exchange	1	0	0		

X-Y exchange Y-invert	1	0	1		
X-Y exchange X-invert	1	1	0		
X-Y exchange Y-invert X-invert	1	1	1		

5.3. GRAM to display address mapping

By setting the **SS**, the relation between the source output channel and the GRAM address can be changed as reverse display. By setting the **GS**, the relation between the gate output channel and the GRAM address can be changed as reverse display. By setting the **BGR**, the relation between the source output channel and the <R>, <G>, dot allocation can be reversed for different LCD color filter arrangement. The following Tables show relations among the GRAM data allocation, the source output channel, and the R, G, B dot allocation.

GRAM X address and display panel position:

Table34.

BGR="0"														
Source	SS="0"	S1	S2	S3	S4	S5	S6	-----	S715	S716	S717	S718	S719	S720
Output	SS="1"	S718	S719	S720	S715	S716	S717	-----	S4	S5	S6	S1	S2	S3
GRAM X address	"00"h			"01"h			-----	"EE"h			"EF"h			
RGB data	R	G	B	R	G	B	-----	R	G	B	R	G	B	
Pixel	Pixel1			Pixel2			-----	Pixel239			Pixel240			
BGR="1"														
Source	SS="0"	S3	S2	S1	S6	S5	S4	-----	S717	S716	S715	S720	S719	S718
Output	SS="1"	S720	S719	S718	S717	S716	S715	-----	S6	S5	S4	S3	S2	S1
GRAM X address	"00"h			"01"h			-----	"EE"h			"EF"h			
RGB data	R	G	B	R	G	B	-----	R	G	B	R	G	B	
Pixel	Pixel1			Pixel2			-----	Pixel239			Pixel240			

GRAM address and display panel position (GS_Panel = '0'):

Table35.

S/G pins	S1	S2	S3	S4	S5	S6	S7	S8	S9	...	S712	S713	S714	S715	S716	S717	S718	S719	S720
G1	0000h		0001h			0002h		---	00EDh		00EEh		00EFh						
G2	0100h		0101h			0102h		---	01EDh		01EEh		01EFh						
G3	0200h		0201h			0202h		---	02EDh		02EEh		02EFh						
G4	0300h		0301h			0302h		---	03EDh		03EEh		03EFh						
G5	0400h		0401h			0402h		---	04EDh		04EEh		04EFh						
G6	0500h		0501h			0502h		---	05EDh		05EEh		05EFh						
---	---		---			---		---	---		---		---						
G315	13A00h		13A01h			13A02h		---	13AEDh		13AEEh		13AEFh						
G316	13B00h		13B01h			13B02h		---	13BEDh		13BEEh		13BEFh						
G317	13C00h		13C01h			13C02h		---	13CEDh		13CEEh		13CEFh						
G318	13D00h		13D01h			13D02h		---	13DEDh		13DEEh		13DEFh						
G319	13E00h		13E01h			13E02h		---	13EEDh		13EEEh		13EEFh						
G320	13F00h		13F01h			13F02h		---	13FEDh		13FEEh		13FEFh						

GRAM address and display panel position (GS_Panel = '1'):

Table36.

S/G pins	S1	S2	S3	S4	S5	S6	S7	S8	S9	...	S712	S713	S714	S715	S716	S717	S718	S719	S720
G320	0000h		0001h			0002h		---	00EDh		00EEh		00EFh						
G319	0100h		0101h			0102h		---	01EDh		01EEh		01EFh						
G318	0200h		0201h			0202h		---	02EDh		02EEh		02EFh						
G317	0300h		0301h			0302h		---	03EDh		03EEh		03EFh						
G316	0400h		0401h			0402h		---	04EDh		04EEh		04EFh						
G315	0500h		0501h			0502h		---	05EDh		05EEh		05EFh						
---	---		---			---		---	---		---		---						
G6	13A00h		13A01h			13A02h		---	13AEDh		13AEEh		13AEFh						
G5	13B00h		13B01h			13B02h		---	13BEDh		13BEEh		13BEFh						
G4	13C00h		13C01h			13C02h		---	13CEDh		13CEEh		13CEFh						
G3	13D00h		13D01h			13D02h		---	13DEDh		13DEEh		13DEFh						
G2	13E00h		13E01h			13E02h		---	13EEDh		13EEEh		13EEFh						
G1	13F00h		13F01h			13F02h		---	13FEDh		13FEEh		13FEFh						

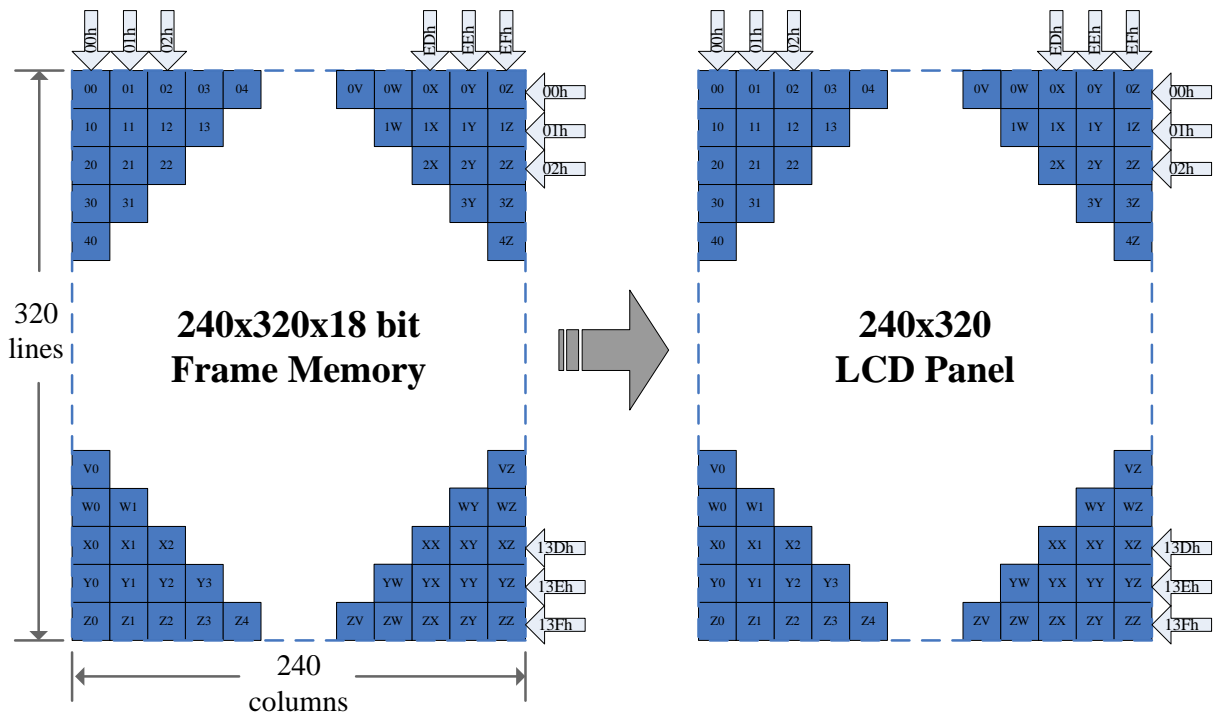
GC9307 supports three kinds of display mode: one is Normal Display Mode, the other is Partial Display Mode, and Scrolling Display Mode.

5.3.1. Normal display on or partial mode on, vertical scroll off

In this mode, content of the frame memory within an area where column pointer is 0000h to 00EFh and page pointer is 0000h to 013Fh is displayed.

To display a dot on leftmost top corner, store the dot data at (column pointer, page pointer) = (0,0)

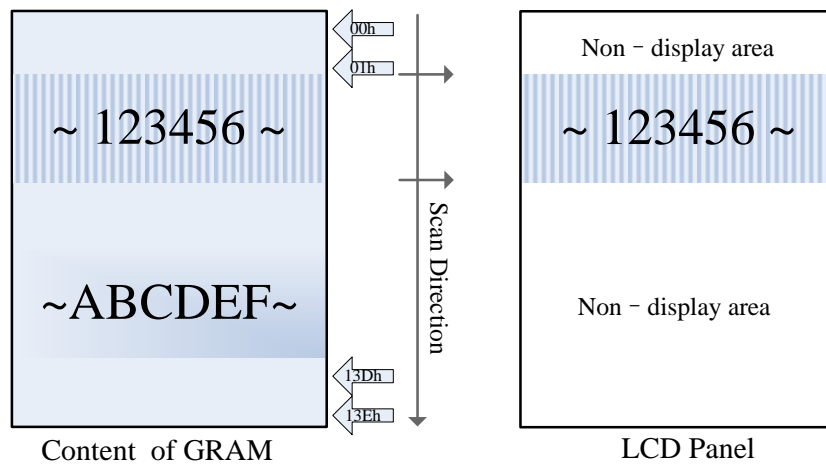
Figure66.



Example1:

- (1) partial mode on (setting 12h)
- (2) SR [15:0] =50DEC, ER [15:0] =150DEC, MADCTL's **B4(ML)**'0' (GS='0').

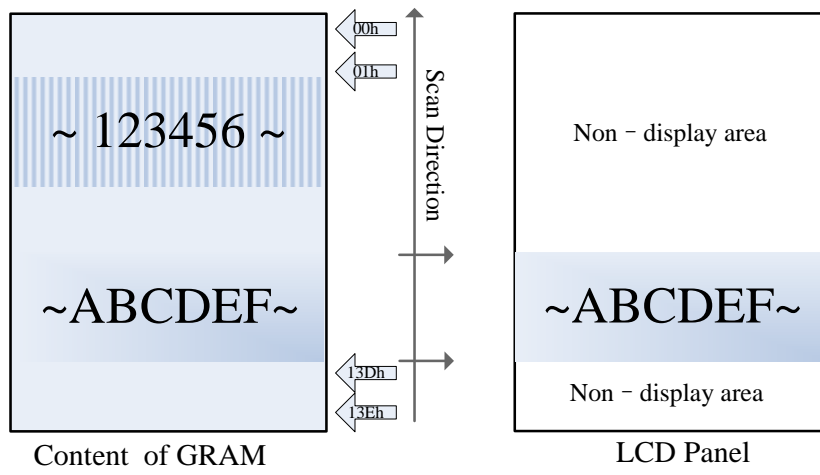
Figure67.



Example2:

- (1) partial mode on (setting 12h)
- (2) SR [15:0] =50DEC, ER [15:0] =150DEC, MADCTL's **B4(ML)**'1' (GS='0').

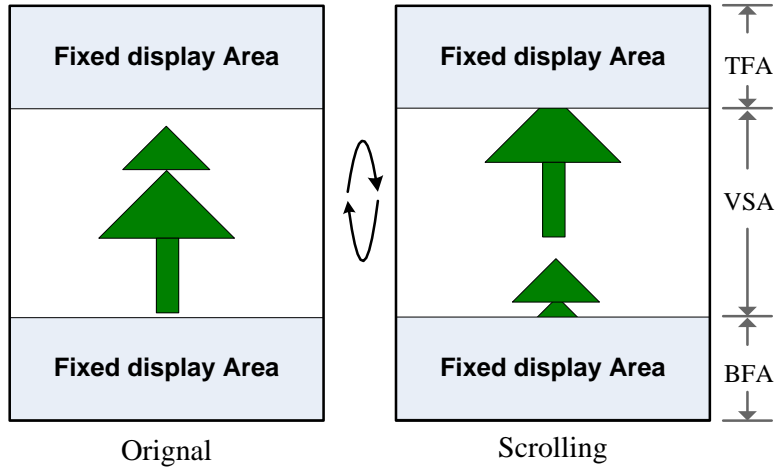
Figure68.



5.3.2. Vertical scroll display mode

When setting R37h, the scrolling display mode is active, and the vertical scrolling display is specified by TFA, VSA, BFA bits (R33h) and VSP bits (R37h).

Figure69.

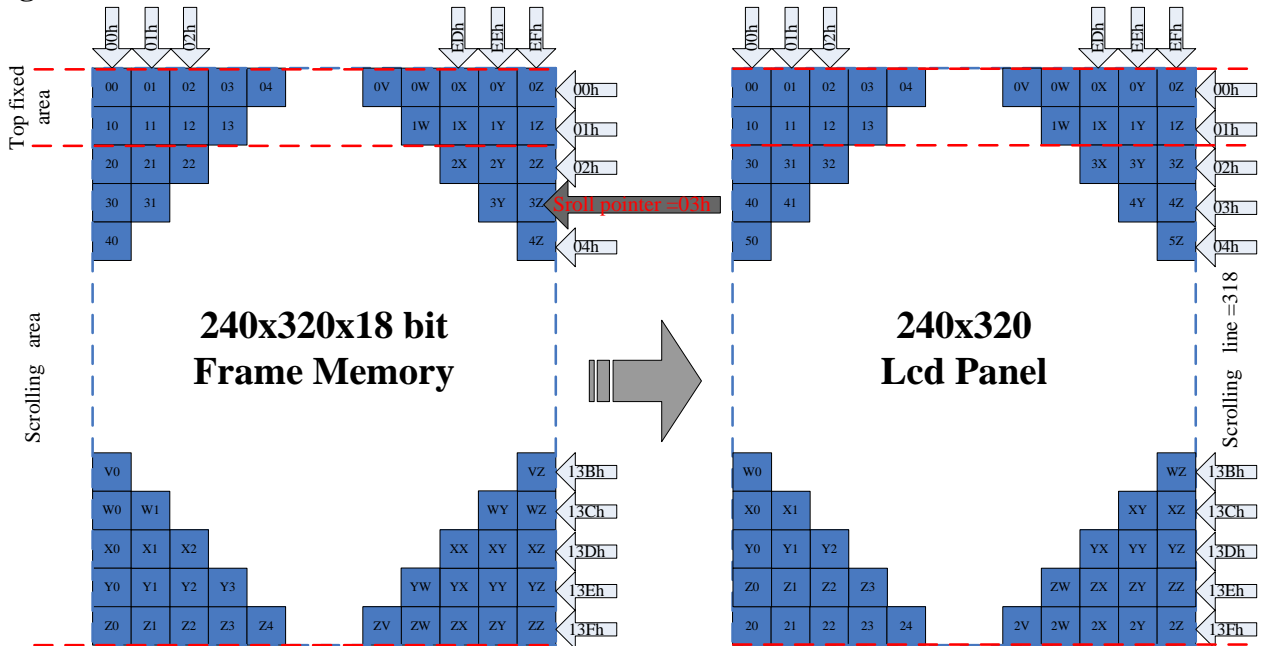


When Vertical Scrolling Definition Parameters (TFA+VSA+BFA) =320. In this case, scrolling is applied as shown below.

Example 1 .TFA='2d', VSA='318d', BFA='0d', VSP='3d' (SS='0', GS='0')

Memory map of vertical scrolling 1:

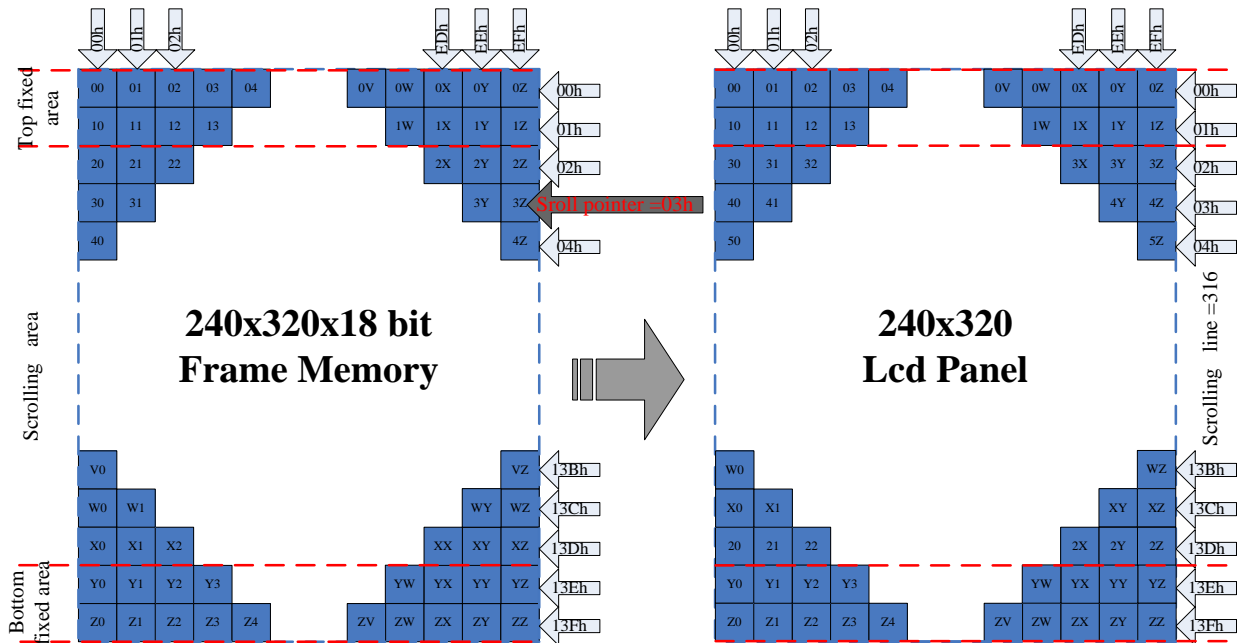
Figure70.



Example 2 .TFA='2d', VSA='316d', BFA='2d', VSP='3d' (SS='0', GS='0')

Memory map of vertical scrolling 2:

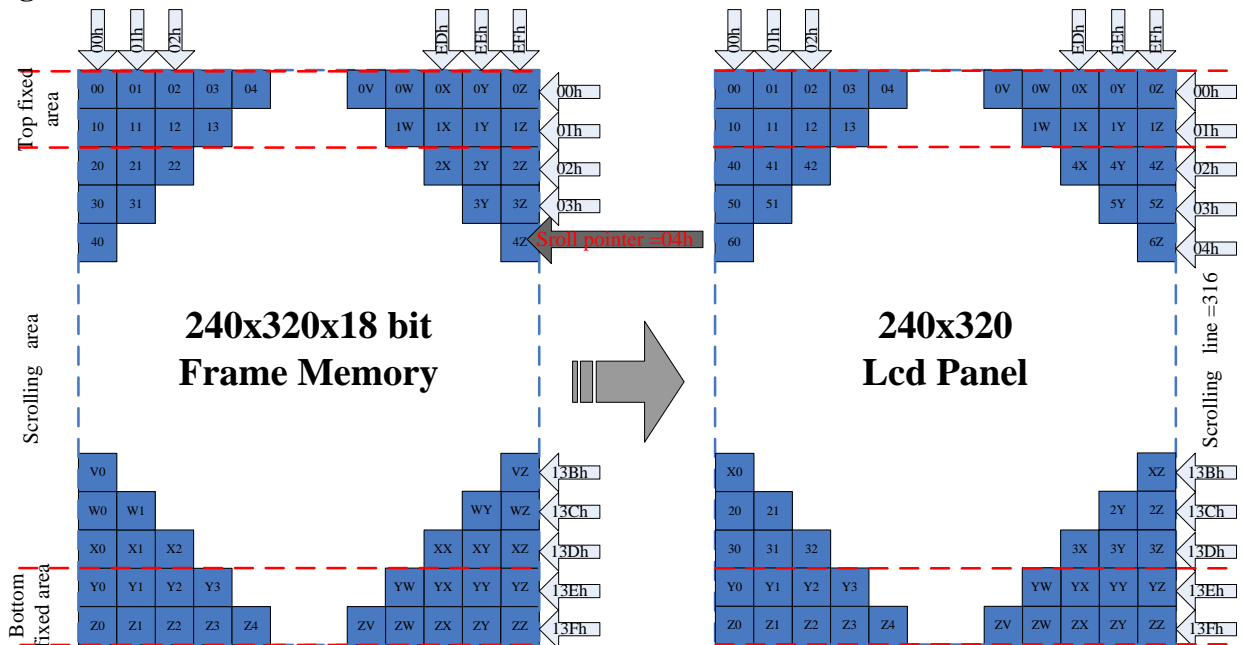
Figure71.



Example 3 .TFA='2d', VSA='316d', BFA='2d', VSP='4d' (SS='0', GS='0')

Memory map of vertical scrolling 3:

Figure72.



Vertical scroll example

There are 2 types of vertical scrolling, which are determined by the **TFA**, **VSA**, **BFA** bits and **VSP** bits

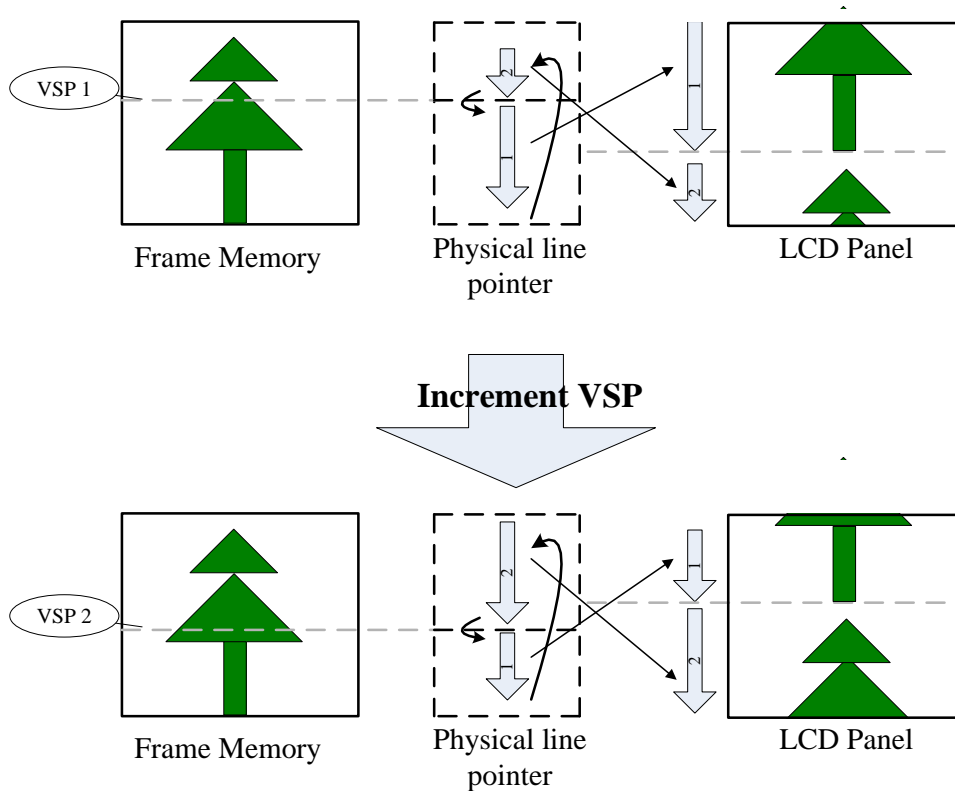
Case 1: $TFA + VSA + BFA \neq '320d'$

N/A. Do not set $TFA + VSA + BFA \neq '320d'$. In that case, unexpected picture will be shown.

Case 2: $TFA + VSA + BFA = '320d'$ (Scrolling)

Example (1) When $TFA='0d'$, $VSA='320d'$, $BFA='0d'$ and $VSP1='40d'$ & $VSP2='140d'$ ($SS='0'$, $GS='0'$)

Figure73.

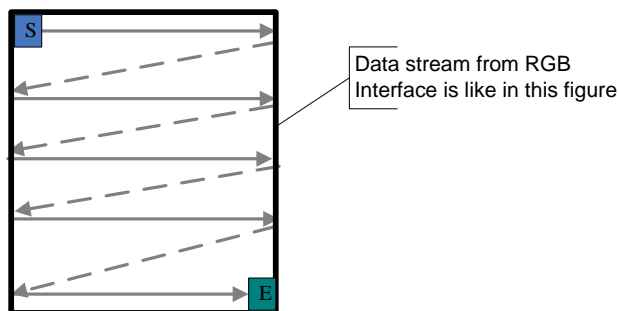


5.3.3. Updating order on display active area in RGB interface mode

There is defined different kind of updating orders for display in RGB interface mode (RCM [1:0] = '1x').

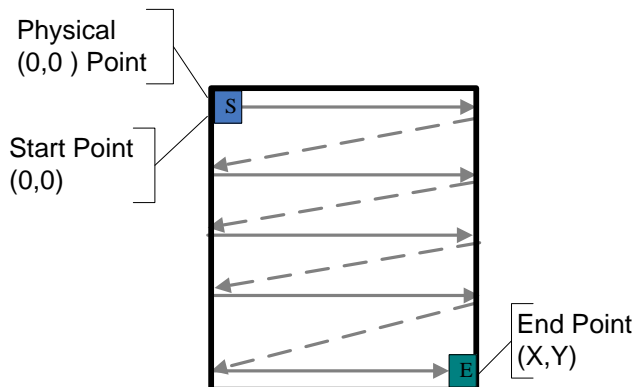
These updating are controlled by MY and MX bits. Data streaming direction from the host to the display is described in the following figure.

Figure74.



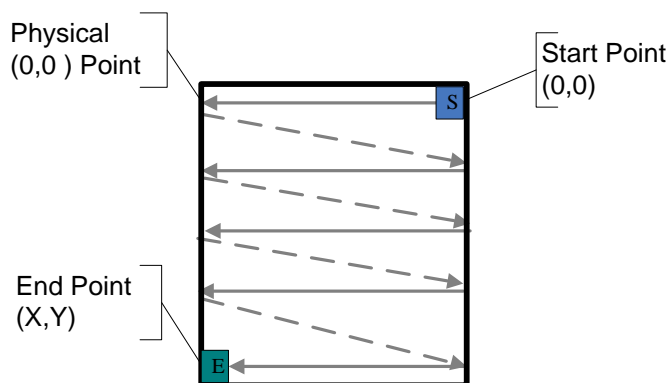
Updating order when MY = '0' and MX = '0'

Figure75.



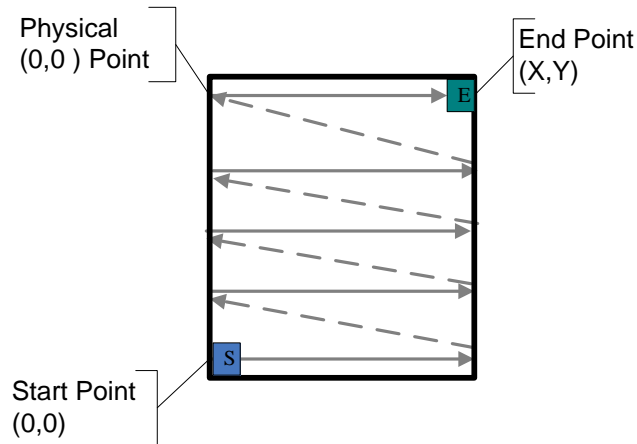
Updating order when MY = '0' and MX = '1'

Figure76.

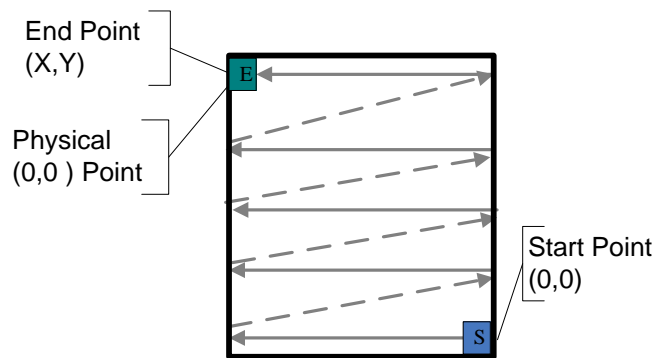


Updating order when MY = '1' and MX = '0'

Figure77.



Updating order when MY = '1' and MX = '1'
Figure78.



Rules for updating order on display active area in RGB interface display mode:
Table37.

Condition	Horizontal Counter	Vertical Counter
An active VS signal is received	Return to 0	Return to 0
Single Pixel information of the active area is received	Increment by 1	No change
An active HS signal between two active area lines	Return to 0	Increment by 1
The Horizontal counter value is larger than X and the Vertical counter value is larger than Y	Return to 0 "Start Column"	Return to "Start Page"

Note: Pixel order is RGB on the display.

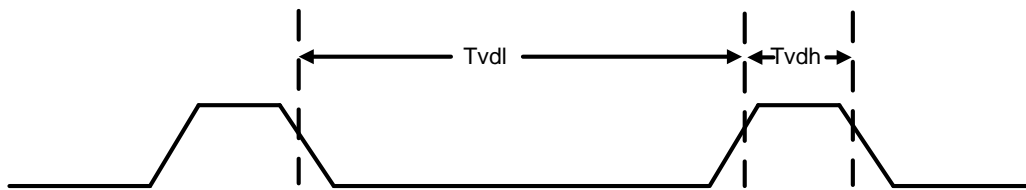
5.4. Tearing effect output line

The Tearing Effect output line supplies to the MPU a Panel synchronization signal. This signal can be enabled or disabled by the Tearing Effect Line Off & On commands. The mode of the Tearing Effect signal is defined by the parameter of the Tearing Effect Line On command. The signal can be used by the MPU to synchronize Frame Memory Writing when displaying video images.

5.4.1. Tearing effect line modes

Mode 1, The Tearing Effect Output signal consists of V-Blanking Information only:

Figure79.

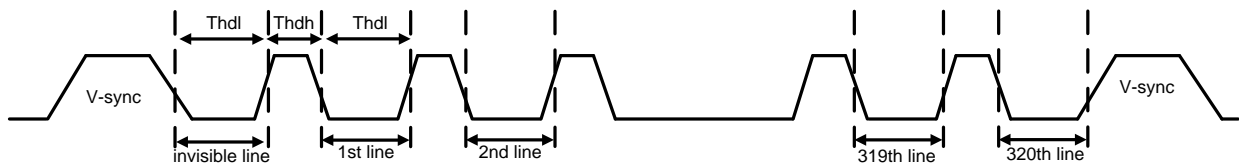


tvdh= The LCD display is not updated from the Frame Memory

tvdl = The LCD display is updated from the Frame Memory (except Invisible Line – see below)

Mode 2, The Tearing Effect Output signal consists of V-Blanking and H-Blanking Information, there is one V-sync and 320 H-sync pulses per field.

Figure80.



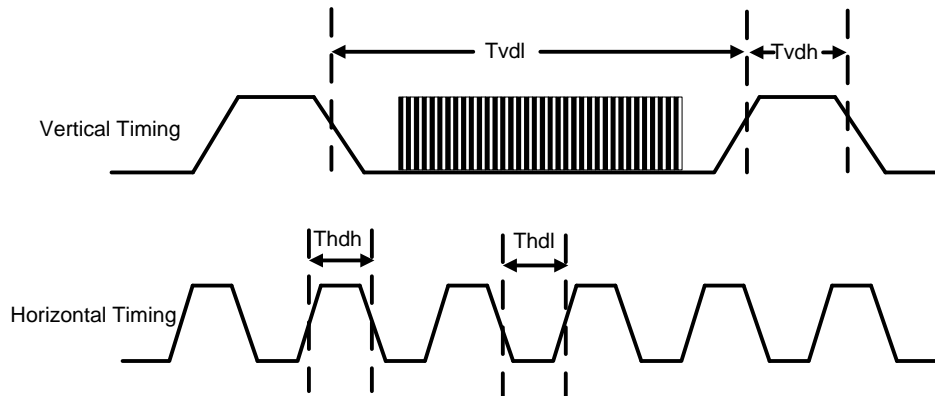
thdh= The LCD display is not updated from the Frame Memory

thdl= The LCD display is updated from the Frame Memory (except Invisible Line – see above)

5.4.2. Tearing effect line timing

The Tearing Effect signal is described below.

Figure81.



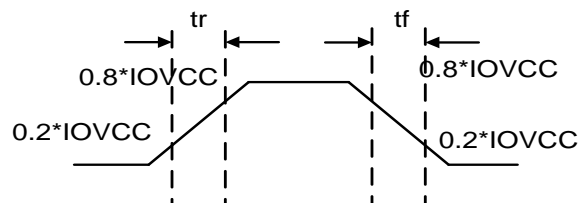
Idle Mode Off (Frame Rate = 60 Hz)

Table38.

Symbol	Parameter	Spec.			Description
		Min.	Max.	Unit	
tvdl	Vertical Timing Low Duration	TBD	-	ms	-
tvdh	Vertical Timing High Duration	1000	-	us	-
thdl	Horizontal Timing Low Duration	TBD	-	us	-
thdh	Horizontal Timing High Duration	TBD	500	us	-

Note: Idle Mode Off (Frame Rate = 60 Hz) ,The signal's rise and fall times (t_f , t_r) are stipulated to be equal to or less than 15ns.

Figure82.



The Tearing Effect Output Line is fed back to the MCU and should be used to avoid Tearing Effect.

5.5. Source driver

The GC9307 contains a 720 channels of source driver (S1~S720) which is used for driving the source line of TFT LCD panel. The source driver converts the digital data from GRAM into the analog voltage for 720 channels and generates corresponding gray scale voltage output, which can realize a 262K colors display simultaneously. Since the output circuit of this source driver incorporates an operational amplifier, a positive and a negative voltage can be alternately outputted from each channel.

5.6. Gate driver

The GC9307 contains a 320 gate channels of gate driver (G1~G320) which is used for driving the gate. The gate driver level is VGH when scan some line, VGL the other lines.

5.7. Scan mode setting

GS: Sets the direction of scan by the gate driver, The scan direction determined by GS = 0 can be reversed by setting GS = 1.

SM: Sets the gate driver pin arrangement in combination with the GS bit to select the optimal scan mode for the module.

Table39.

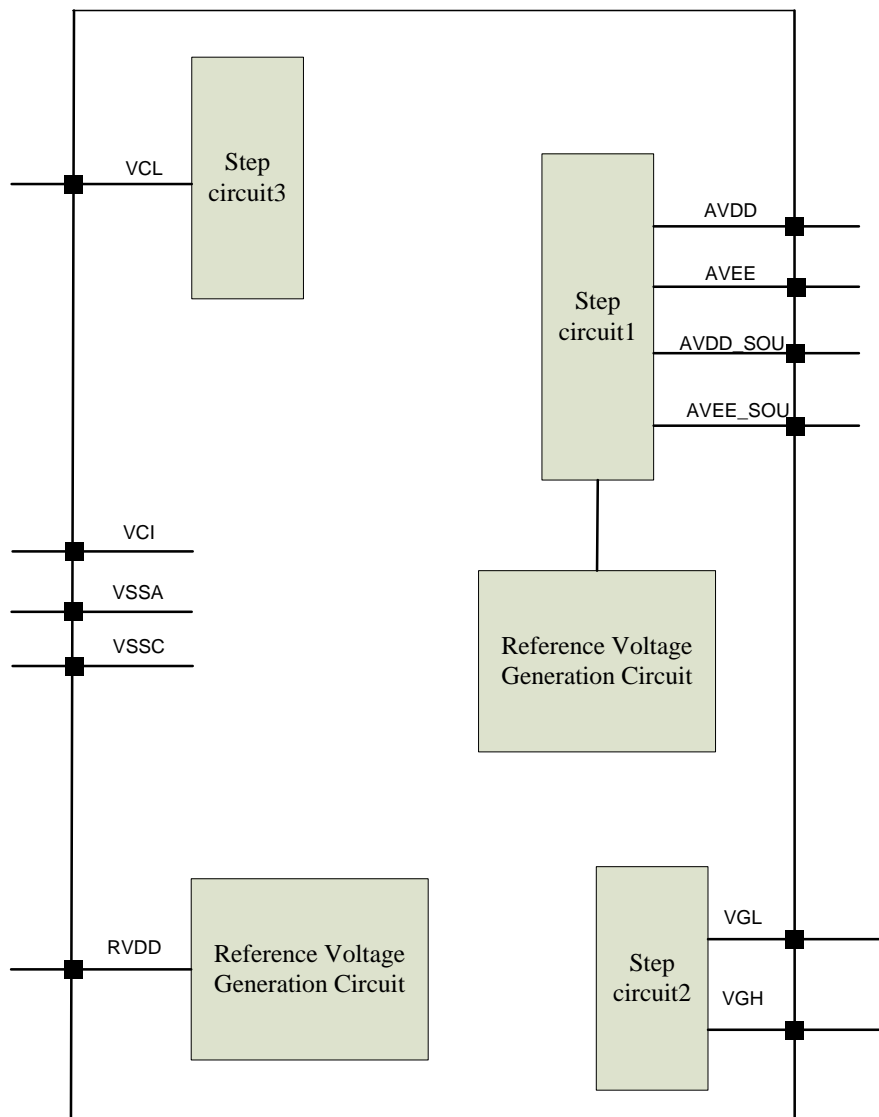
SM	GS	Scan Direction	Gate Output Sequence
0	0		<p>G1 G2 G3 G4 ---> G317 G318 G319 G320</p>
0	1		<p>G320 G319 G318 G317 ----> G4 G3 G2 G1</p>
1	0		<p>G1 G3 ----> G317 G319 --> G2 G4 ----> G318 G320</p>
1	1		<p>G320 G318 ----> G4 G2 --> G319 G317 ----> G3 G1</p>

5.8. LCD power generation circuit

5.8.1. Power supply circuit

The power circuit of GC9307 is used to generate supply voltages for LCD panel driving.

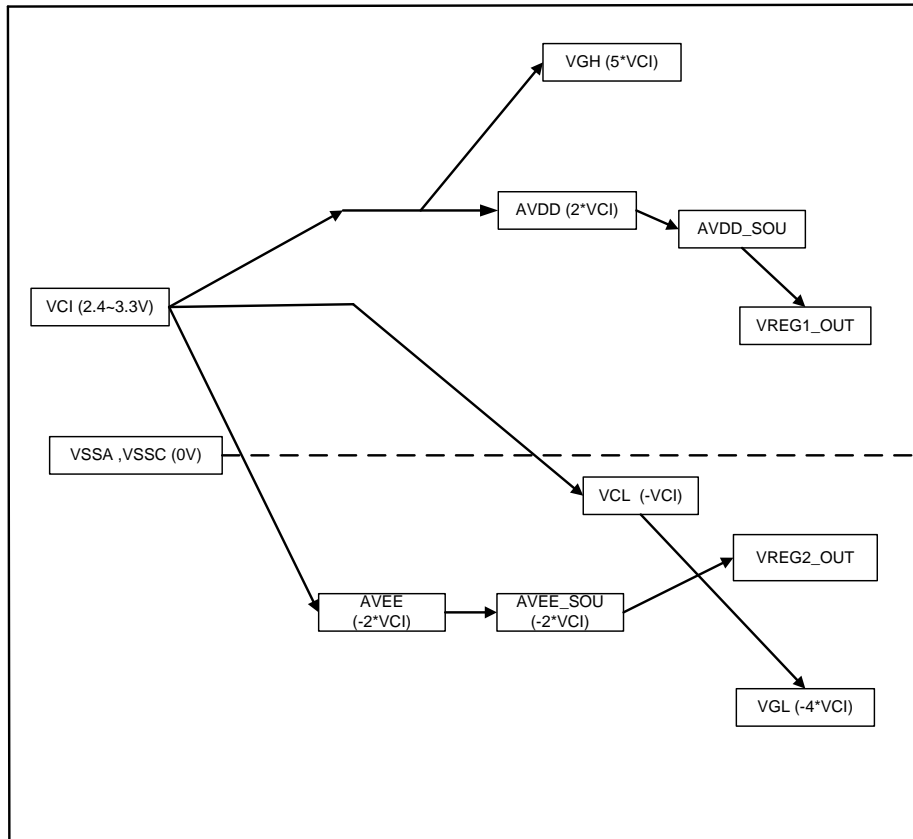
Figure83.



5.8.2. LCD power generation scheme

The boost voltage generated is shown as below.

Figure84.



LCD power generation scheme

5.9. Gamma Correction

GC9307 incorporates the γ -correction function to display 262,144 colors for the LCD panel. The γ -correction is performed with 3 groups of registers determining eight reference grayscale levels, which are gradient adjustment, amplitude adjustment and fine-adjustment registers for positive and negative polarities, to make GC9307 available with liquid crystal panels of various characteristics.

Figure85.

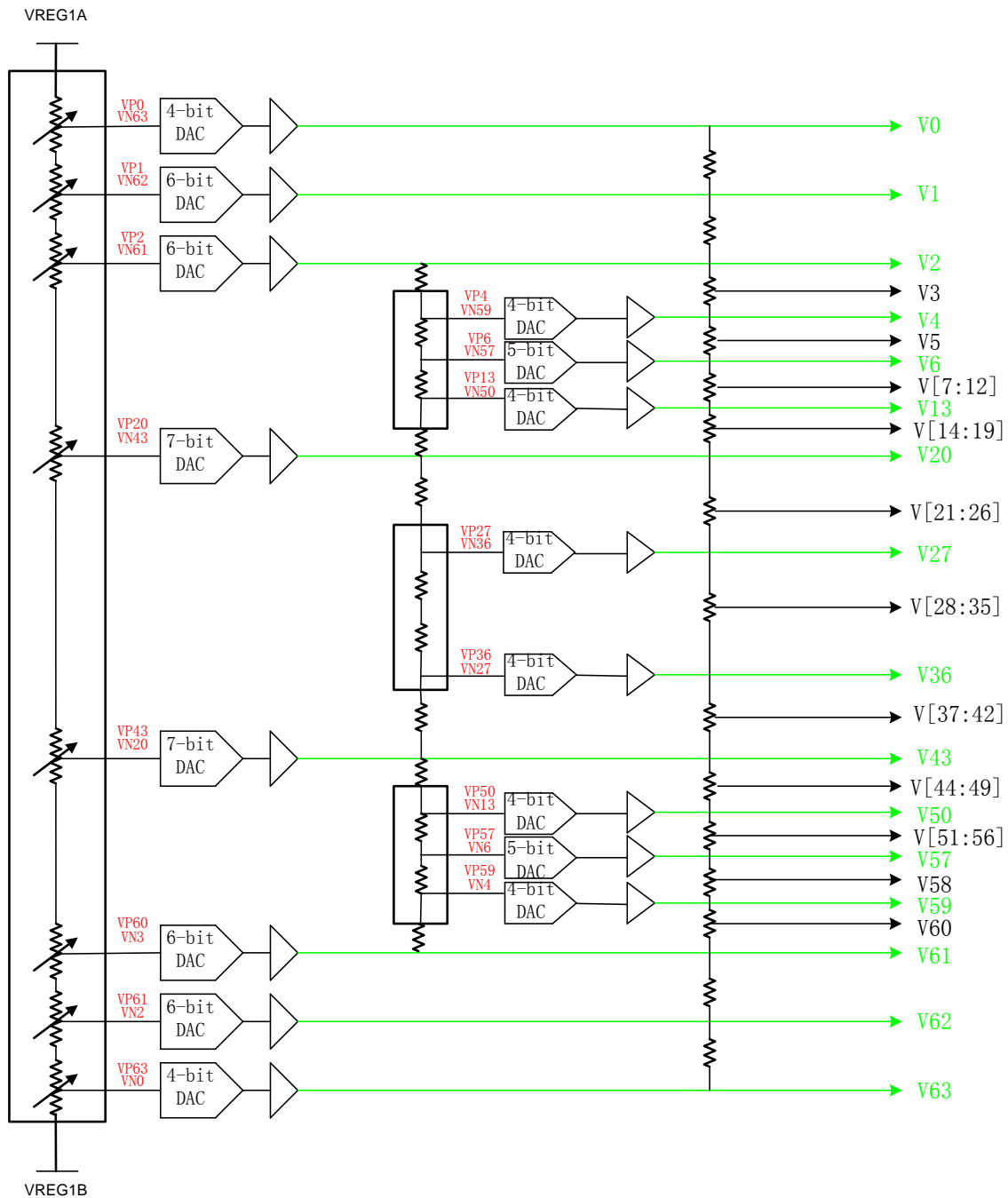
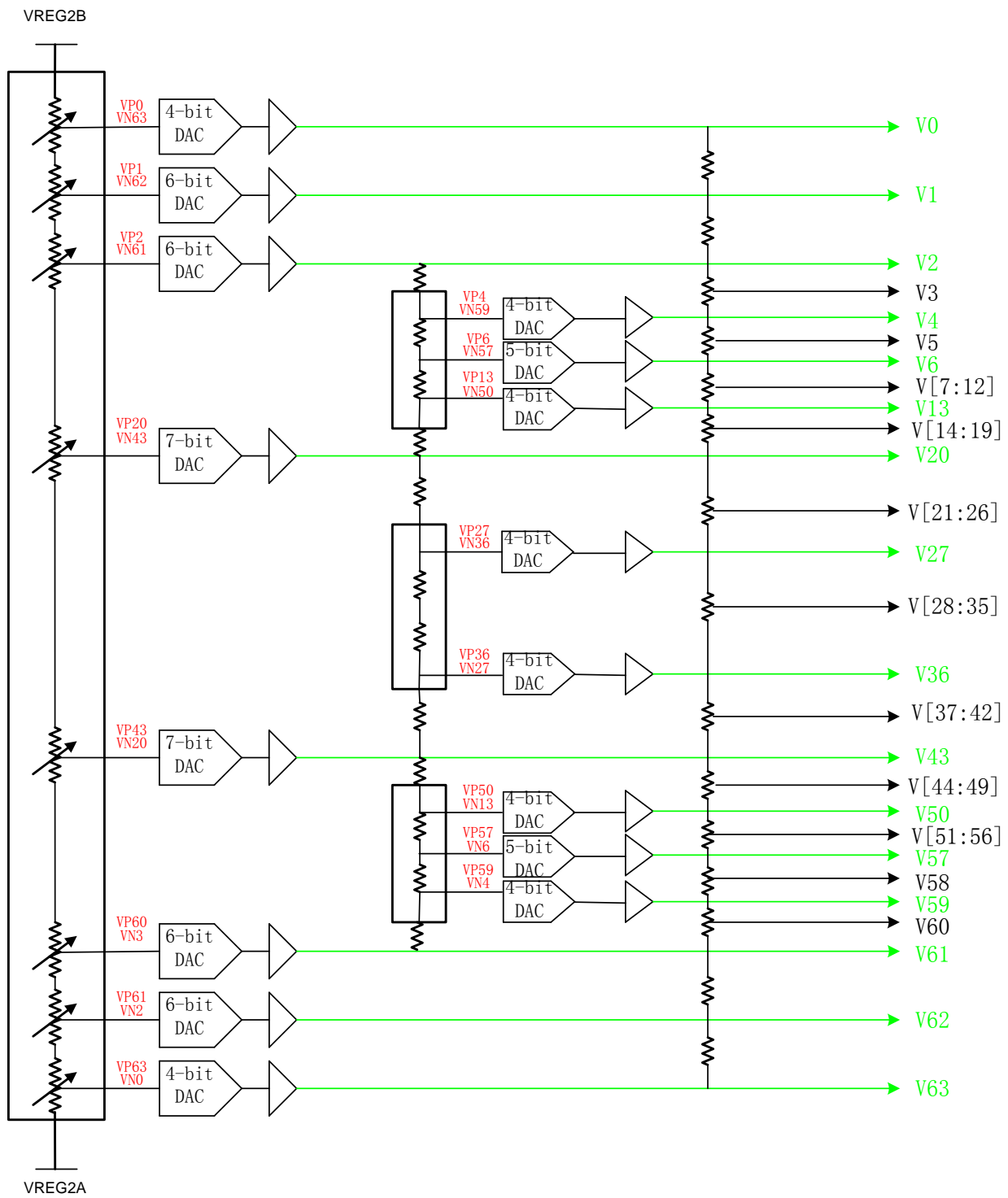
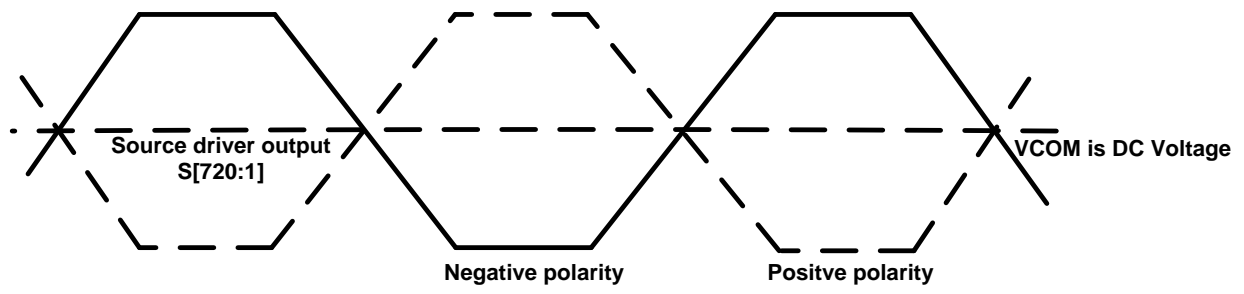


Figure86.



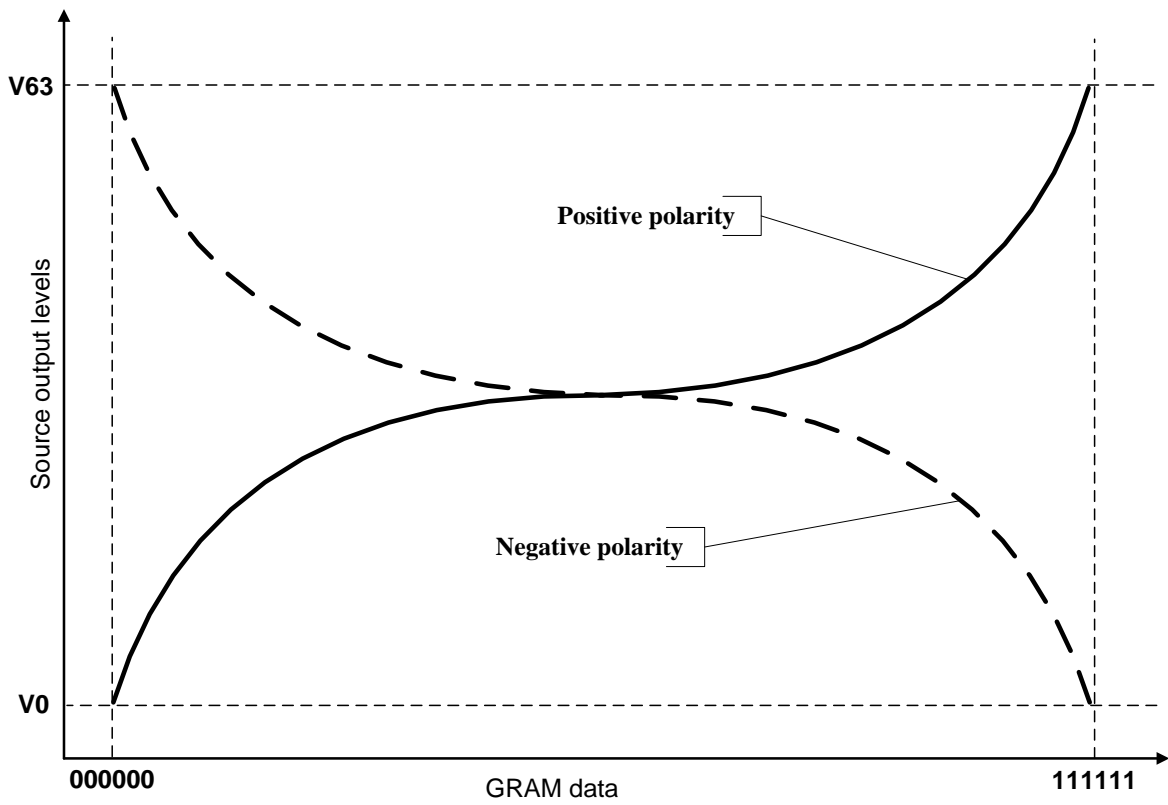
Grayscale Voltage Generation

Figure87.Dot inversion



Relationship between Source Output and VCOM

Figure88.



5.10. Power Level Definition

5.10.1. Power Levels

6 level modes are defined they are in order of Maximum Power consumption to Minimum Power Consumption:

1. Normal Mode On (full display), Idle Mode Off, Sleep Out.

In this mode, the display is able to show maximum 262,144 colors.

2. Partial Mode On, Idle Mode Off, Sleep Out.

In this mode part of the display is used with maximum 262,144 colors.

3. Normal Mode On (full display), Idle Mode On, Sleep Out.

In this mode, the full display area is used but with 8 colors.

4. Partial Mode On, Idle Mode On, Sleep Out.

In this mode, part of the display is used but with 8 colors.

5. Sleep In Mode.

In this mode, the DC : DC converter, Internal oscillator and panel driver circuit are stopped. Only the MCU interface and memory works with IOVCC power supply. Contents of the memory are safe.

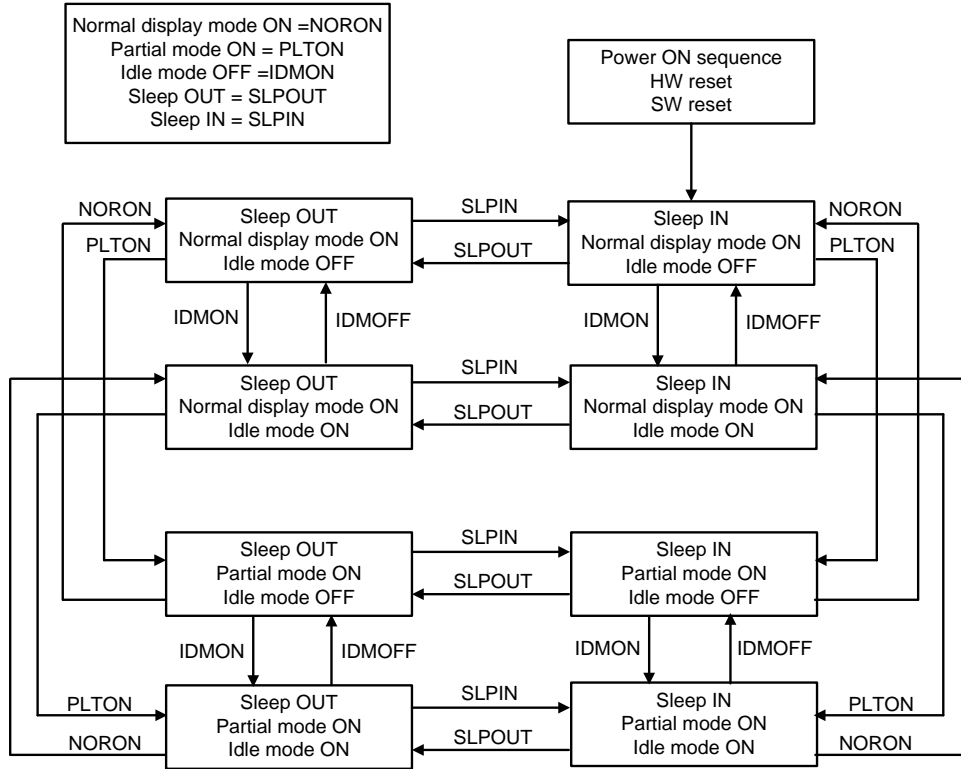
6. Power Off Mode.

In this mode, both VCI and IOVCC are removed.

Note1: Transition between modes 1-5 is controllable by MCU commands. Mode 6 is entered only when both Power supplies are removed.

5.10.2. Power Flow Chart

Figure89.



Note 1: There is not any abnormal visual effect when there is changing from one power mode to another power mode.

Note 2: There is not any limitation, which is not specified by User, when there is changing from one power mode to another power mode.

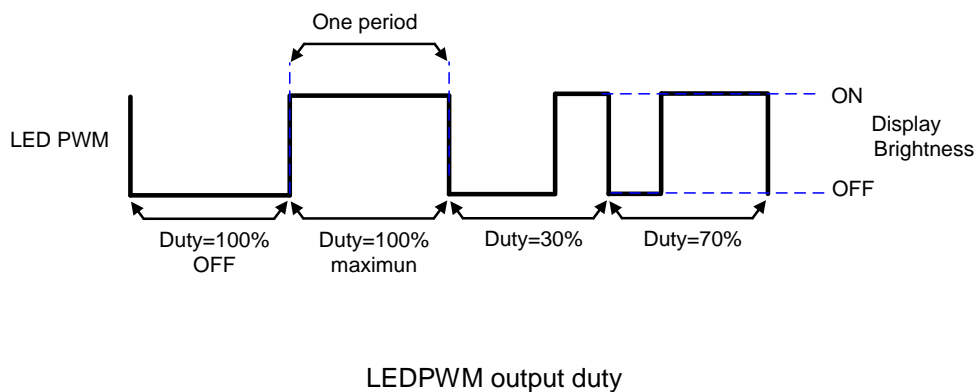
5.10.3. Brightness control block

There is an external output signal from brightness block, LEDPWM to control the LED driver IC in order to control display brightness.

There are register bits, DBV[7:0] of R51h, for display brightness of manual brightness setting. The LEDPWM duty is calculated as $DBV[7:0]/255 \times \text{period}$ (affected by OSC frequency).

For example: LEDPWM period = 3ms, and DBV[7:0] = '200DEC'. Then LEDPWM duty = $200 / 255 = 78.1\%$. Correspond to the LEDPWM period = 3 ms, the high-level of LEDPWM (high effective) = 2.344ms, and the low-level of LEDPWM = 0.656ms.

Figure90.



5.11. Input/output pin state

5.11.1. Output pins

Table40.

Output or Bi-directional pins	After Power On	After Hardware Reset
DB17 to DB0 (Output driver)	High-Z (Inactive)	High-Z (Inactive)
SDA	High-Z (Inactive)	High-Z (Inactive)
SDO	High-Z (Inactive)	High-Z (Inactive)
TE	Low	Low
LEDPWM	Low	Low

Characteristics of output pins

5.11.2. Input pins

Table41.

Input pins	During Power On Process	After Power On	After Hardware Reset	During Power Off Process
RESX	Input valid	Input valid	Input valid	Input valid
CSX	Input invalid	Input valid	Input valid	Input invalid
WRX	Input invalid	Input valid	Input valid	Input invalid
RDX	Input invalid	Input valid	Input valid	Input invalid
D/CX	Input invalid	Input valid	Input valid	Input invalid
SDA	Input invalid	Input valid	Input valid	Input invalid
VSYNC	Input invalid	Input valid	Input valid	Input invalid
HSYNC	Input invalid	Input valid	Input valid	Input invalid
DE	Input invalid	Input valid	Input valid	Input invalid
DOTCLK	Input invalid	Input valid	Input valid	Input invalid
D[17:0]	Input invalid	Input valid	Input valid	Input invalid
IM[3:0]	Input invalid	Input valid	Input valid	Input invalid

Characteristics of input pins

6. Command

6.1. Command List

Regulative Command Set													
Command Function	D/CX	RDX	WRX	D17-8	D7	D6	D5	D4	D3	D2	D1	D0	HEX
Read Display Identification Information 2	0	1	↑	XX	0	0	0	0	0	1	0	0	04h
	1	↑	1	XX	X	X	X	X	X	X	X	X	XX
	1	↑	1	XX	ID_1[7:0]							00	
	1	↑	1	XX	ID_2[7:0]							93	
	1	↑	1	XX	ID_3[7:0]							07	
Read Display Status	0	1	↑	XX	0	0	0	0	1	0	0	1	09h
	1	↑	1	XX	X	X	X	X	X	X	X	X	XX
	1	↑	1	XX	D[31:25]							X	00
	1	↑	1	XX	X	D[22:20]			D[19:16]				61
	1	↑	1	XX	X	X	X	X	X	D[10:8]			00
	1	↑	1	XX	D[7:5]			X	X	X	X	X	00
Enter Sleep Mode	0	1	↑	XX	0	0	0	1	0	0	0	0	10h
Sleep OUT	0	1	↑	XX	0	0	0	1	0	0	0	1	11h
Partial Mode ON	0	1	↑	XX	0	0	0	1	0	0	1	0	12h
Normal Display Mode ON	0	1	↑	XX	0	0	0	1	0	0	1	1	13h
Display Inversion OFF	0	1	↑	XX	0	0	1	0	0	0	0	0	20h
Display Inversion ON	0	1	↑	XX	0	0	1	0	0	0	0	1	21h
Display OFF	0	1	↑	XX	0	0	1	0	1	0	0	0	28h
Display ON	0	1	↑	XX	0	0	1	0	1	0	0	1	29h
Column Address Set	0	1	↑	XX	0	0	1	0	1	0	1	0	2Ah
	1	1	↑	XX	SC[15:8]							00	
	1	1	↑	XX	SC[7:0]							00	
	1	1	↑	XX	EC[15:8]							00	
	1	1	↑	XX	EC[7:0]							EFh	
Page Address Set	0	1	↑	XX	0	0	1	0	1	0	1	1	2Bh
	1	1	↑	XX	SP[15:8]							00	
	1	1	↑	XX	SP[7:0]							00	
	1	1	↑	XX	EP[15:8]							01h	

	1	1	↑	XX	EP[7:0]								3Fh
Memory Write	0	1	↑	XX	0	0	1	0	1	1	0	0	2Ch
	1	1	↑		D[17:0]								XX
Partial Area	0	1	↑	XX	0	0	1	1	0	0	0	0	30h
	1	1	↑	XX	SR[15:8]								00
	1	1	↑	XX	SR[7:0]								00
	1	1	↑	XX	ER[15:8]								01
	1	1	↑	XX	ER[7:0]								3F
Vertical Scrolling Definition	0	1	↑	XX	0	0	1	1	0	0	1	1	33h
	1	1	↑	XX	TFA[15:8]								00
	1	1	↑	XX	TFA[7:0]								00
	1	1	↑	XX	VSA[15:8]								01
	1	1	↑	XX	VSA[7:0]								40
Tearing Effect Line OFF	0	1	↑	XX	0	0	1	1	0	1	0	0	34h
Tearing Effect Line ON	0	1	↑	XX	0	0	1	1	0	1	0	1	35h
	1	1	↑	XX	X	X	X	X	X	X	X	M	00
Memory Access Control	0	1	↑	XX	0	0	1	1	0	1	1	0	36h
	1	1	↑	XX	MY	MX	MV	ML	BGR	MH	X	X	00
Vertical Scrolling Start Address	0	1	↑	XX	0	0	1	1	0	1	1	1	37h
	1	1	↑	XX	VSP[15:8]								00
	1	1	↑	XX	VSP[7:0]								00
Idle Mode OFF	0	1	↑	XX	0	0	1	1	1	0	0	0	38h
Idle Mode ON	0	1	↑	XX	0	0	1	1	1	0	0	1	39h
Pixel Format Set	0	1	↑	XX	0	0	1	1	1	0	1	0	3Ah
	1	1	↑	XX	X	DPI[2:0]			X	DBI[2:0]			66
Write Memory Continue	0	1	↑	XX	0	0	1	1	1	1	0	0	3Ch
	1	1	↑		D[17:0]								XX
Set Tear Scanline	0	1	↑	XX	0	1	0	0	0	1	0	0	44h
	1	1	↑	XX	X	X	X	X	X	X	X	STS[8]	00
	1	1	↑	XX	STS[7:0]								00
Get Scanline	0	1	↑	XX	0	1	0	0	0	1	0	1	45h
	1	↑	1	XX	X	X	X	X	X	X	X	X	XX
	1	↑	1	XX	X	X	X	X	X	X	X	GTS [8]	00
	1	↑	1	XX	GTS[7:0]								00
Write Display Brightness	0	1	↑	XX	0	1	0	1	0	0	0	1	51h
	1	↑	1	XX	DBV[7:0]								00
Write CTRL Display	0	1	↑	XX	0	1	0	1	0	0	1	1	53h
	1	1	↑	XX	X	X	BCTRL	X	DD	BL	X	X	00
Read ID1	0	1	↑	XX	1	1	0	1	1	0	1	0	DAh
	1	↑	1	XX	X	X	X	X	X	X	X	X	XX

	1	↑	1	XX	LCD Module / Driver ID [7:0]								00
Read ID2	0	1	↑	XX	1	1	0	1	1	0	1	1	DBh
	1	↑	1	XX	X	X	X	X	X	X	X	X	XX
	1	↑	1	XX	LCD Module / Driver ID [7:0]								93
Read ID3	0	1	↑	XX	1	1	0	1	1	1	0	0	DCh
	1	↑	1	XX	X	X	X	X	X	X	X	X	XX
	1	↑	1	XX	LCD Module / Driver ID [7:0]								07

Extended Command Set													
Command Function	D/CX	RDX	WRX	D17-8	D7	D6	D5	D4	D3	D2	D1	D0	HEX
RGB Interface Signal Control	0	1	↑	XX	1	0	1	1	0	0	0	0	B0h
	1	1	↑	XX	X	RCM[1:0]		X	VSPL	HSPL	DPL	EPL	01
Blanking Porch Control	0	1	↑	XX	1	0	1	1	0	1	0	1	B5h
	1	1	↑	XX	0	0	0	0	VFP[3:0]				08
	1	1	↑	XX	0	VBP[6:0]						02	
	1	1	↑	XX	0	0	0	HBP[4:0]				14	
Display Function Control	0	1	1	XX	1	0	1	1	0	1	1	0	B6
	1	1	1	XX	X	X	X	X	X	X	X	X	00
	1	1	1	XX	X	GS	SS	SM	X	X	X	X	00
	1	1	1	XX	X	X	NL[5:0]					27	
Interface Control	0	1	↑	XX	1	1	1	1	0	1	1	0	F6h
	1	1	↑	XX	1	1	0	0	DM[1:0]		RM	RIM	C0

Inter Command Set													
Command Function	D/CX	RDX	WRX	D17-8	D7	D6	D5	D4	D3	D2	D1	D0	HEX
Power Criterion Control	0	1	↑	XX	1	1	0	0	0	0	0	1	C1h
	1	1	↑	XX	0	0	0	0	0	0	vcire	0	00
Vcore voltage Control	0	1	↑	XX	1	0	1	0	0	1	1	1	A7h
	1	1	↑	XX	0	1	0	0	vdd_ad[3:0]			48	
Vreg1a voltage Control	0	1	↑	XX	1	1	0	0	0	0	1	1	C3h
	1	1	↑	XX	0	vreg1_vbp_d[6:0]						3C	
Vreg1b voltage Control	0	1	↑	XX	1	1	0	0	0	1	0	0	C4h
	1	1	↑	XX	0	vreg1_vbn_d[6:0]						3C	
Vreg2a voltage Control	0	1	↑	XX	1	1	0	0	1	0	0	1	C9h
	1	1	↑	XX	0	0	vrh[5:0]					28	
Frame Rate	0	1	↑	XX	1	0	1	0	1	0	0	0	E8h
	1	1	↑	XX	0	DINV[2:0]		RTN1[3:0]				11	
	1	1	↑	XX	RTN2[7:0]							40	
SPI 2data control	0	1	↑	XX	1	1	1	0	1	0	0	1	E9h
	1	1	↑	XX					2data_en	2data_mdt			00
Charge Pump Frequent Control	0	1	↑	XX	1	1	1	0	1	1	0	0	ECh
	1	1	↑	XX	avdd_clk_ad[2:0]				avee_clk_ad[2:0]				33
	1	1	↑	XX					vcl_clk_ad[2:0]				02
	1	1	↑	XX	vgh_clk_ad[3:0]				vgl_clk_ad[3:0]				88
Inner register	0	1	↑	XX	1	1	1	1	1	1	1	0	FEh

enable 1														
Inner register enable 2	0	1	↑	XX	1	1	1	0	1	1	1	1	1	EFh
SET_GAMMA1	0	1	↑	XX	1	1	1	1	0	0	0	0	0	F0h
	1	1	↑	XX	dig2gam_dig2j0_n[1:0]		dig2gam_vr1_n[5:0]						80	
	1	1	↑	XX	dig2gam_dig2j1_n[1:0]		dig2gam_vr2_n[5:0]						03	
	1	1	↑	XX	0	0	0	dig2gam_vr4_n[4:0]					08	
	1	1	↑	XX	0	0	0	dig2gam_vr6_n[4:0]					06	
	1	1	↑	XX	dig2gam_vr0_n[3:0]			dig2gam_vr13_n[3:0]					05	
	1	1	↑	XX	0	dig2gam_vr20_n[6:0]							2B	
SET_GAMMA2	0	1	↑	XX	1	1	1	1	0	0	0	1	1	F1h
	1	1	↑	XX	0	dig2gam_vr43_n[6:0]							41	
	1	1	↑	XX	dig2gam_vr27_n[2:0]		dig2gam_vr57_n[4:0]						97	
	1	1	↑	XX	dig2gam_vr36_n[2:0]		dig2gam_vr59_n[4:0]						98	
	1	1	↑	XX	0	0	dig2gam_vr61_n[5:0]					13		
	1	1	↑	XX	0	0	dig2gam_vr62_n[5:0]					17		
	1	1	↑	XX	dig2gam_vr50_n[3:0]			dig2gam_vr63_n[3:0]					CD	
SET_GAMMA3	0	1	↑	XX	1	1	1	1	0	0	1	0	1	F2h
	1	1	↑	XX	dig2gam_dig2j0_p[1:0]		dig2gam_vr1_p[5:0]						40	
	1	1	↑	XX	dig2gam_dig2j1_p[1:0]		dig2gam_vr2_p[5:0]						03	
	1	1	↑	XX	0	0	0	dig2gam_vr4_p[4:0]					08	
	1	1	↑	XX	0	0	0	dig2gam_vr6_p[4:0]					0B	
	1	1	↑	XX	dig2gam_vr0_p[3:0]			dig2gam_vr13_p[3:0]					08	
	1	1	↑	XX	0	dig2gam_vr20_p[6:0]							2E	
SET_GAMMA4	0	1	↑	XX	1	1	1	1	0	0	1	1	1	F3h
	1	1	↑	XX	0	dig2gam_vr43_p[6:0]							3F	
	1	1	↑	XX	dig2gam_vr27_p[2:0]		dig2gam_vr57_p[4:0]						98	
	1	1	↑	XX	dig2gam_vr36_p[2:0]		dig2gam_vr59_p[4:0]						B4	
	1	1	↑	XX	0	0	dig2gam_vr61_p[5:0]					14		
	1	1	↑	XX	0	0	dig2gam_vr62_p[5:0]					18		
	1	1	↑	XX	dig2gam_vr50_p[3:0]			dig2gam_vr63_p[3:0]					CD	

6.2. Description of Level 1 Command

6.2.1. Read display identification information (04h)

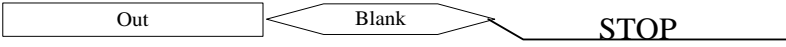
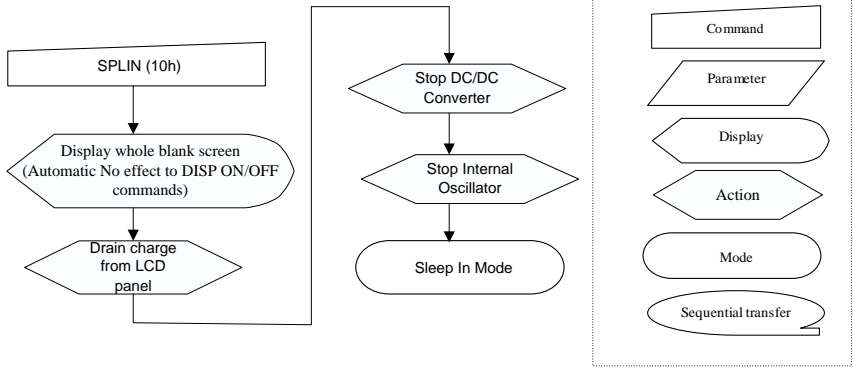
04h	Read display identification information 2												HEX												
	D/CX	RDX	WRX	D17-8	D7	D6	D5	D4	D3	D2	D1	D0													
Command	0	1	↑	XX	0	0	0	0	0	1	0	0	04h												
1 st Parameter	1	↑	1	XX	X	X	X	X	X	X	X	X	X												
2 nd Parameter	1	↑	1	XX	ID_1[7:0]							00													
3 rd Parameter	1	↑	1	XX	ID_2[7:0]							93													
4 th Parameter	1	↑	1	XX	ID_3[7:0]							07													
Description	<p>This read byte returns 24 bits display identification information.</p> <p>The 1st parameter is dummy data.</p> <p>The 2nd parameter (ID2_1 [7:0]): LCD module's manufacturer ID.</p> <p>The 3rd parameter (ID2_2 [7:0]): LCD module/driver version ID.</p> <p>The 4th parameter (ID2_3 [7:0]): LCD module/driver ID.</p>																								
Restriction																									
Register Availability	<table border="1"> <thead> <tr> <th>Status</th> <th>Availability</th> </tr> </thead> <tbody> <tr> <td>Normal Mode On, Idle Mode Off, Sleep Out</td> <td>Yes</td> </tr> <tr> <td>Normal Mode On, Idle Mode On, Sleep Out</td> <td>Yes</td> </tr> <tr> <td>Partial Mode On, Idle Mode Off, Sleep Out</td> <td>Yes</td> </tr> <tr> <td>Partial Mode On, Idle Mode On, Sleep Out</td> <td>Yes</td> </tr> <tr> <td>Sleep In</td> <td>Yes</td> </tr> </tbody> </table>													Status	Availability	Normal Mode On, Idle Mode Off, Sleep Out	Yes	Normal Mode On, Idle Mode On, Sleep Out	Yes	Partial Mode On, Idle Mode Off, Sleep Out	Yes	Partial Mode On, Idle Mode On, Sleep Out	Yes	Sleep In	Yes
Status	Availability																								
Normal Mode On, Idle Mode Off, Sleep Out	Yes																								
Normal Mode On, Idle Mode On, Sleep Out	Yes																								
Partial Mode On, Idle Mode Off, Sleep Out	Yes																								
Partial Mode On, Idle Mode On, Sleep Out	Yes																								
Sleep In	Yes																								
Default	<table border="1"> <thead> <tr> <th>Status</th> <th>Default Value</th> </tr> </thead> <tbody> <tr> <td>Power On Sequence</td> <td>24'h009307</td> </tr> <tr> <td>SW Reset</td> <td>24'h009307</td> </tr> <tr> <td>HW Reset</td> <td>24'h009307</td> </tr> </tbody> </table>													Status	Default Value	Power On Sequence	24'h009307	SW Reset	24'h009307	HW Reset	24'h009307				
Status	Default Value																								
Power On Sequence	24'h009307																								
SW Reset	24'h009307																								
HW Reset	24'h009307																								
Flow Chart	<p>1st Parameter: Dummy Read 2nd Parameter: Send LCD module's manufacturer information 3rd Parameter: Send panel type and LCM/driver version information 4th Parameter: Send module/driver information</p>																								

6.2.2. Read Display Status (09h)

09h	Read Display Status																																																																																						
	D/CX	RDX	WRX	D17-8	D7	D6	D5	D4	D3	D2	D1	D0	HEX																																																																										
Command	0	1	↑	XX	0	0	0	0	1	0	0	1	09h																																																																										
1 st Parameter	1	↑	1	XX	X	X	X	X	X	X	X	X	X																																																																										
2 nd Parameter	1	↑	1	XX	D[31:25]							X	00																																																																										
3 rd Parameter	1	↑	1	XX	0	D[22:20]			D[19:16]				61																																																																										
4 th Parameter	1	↑	1	XX	0	0	0	0	0	D[10:8]			00																																																																										
5 th Parameter	1	↑	1	XX	D[7:5]			0	0	0	0	0	00																																																																										
Description	This command indicates the current status of the display as described in the table below:																																																																																						
	<table border="1"> <thead> <tr> <th>Bit</th> <th>Description</th> <th>Value</th> <th>Status</th> </tr> </thead> <tbody> <tr> <td rowspan="2">D31</td> <td rowspan="2">Booster voltage status</td> <td>0</td> <td>Booster OFF</td> </tr> <tr> <td>1</td> <td>Booster ON</td> </tr> <tr> <td rowspan="2">D30</td> <td rowspan="2">Row address order</td> <td>0</td> <td>Top to Bottom (When MADCTL B7='0')</td> </tr> <tr> <td>1</td> <td>Bottom to Top (When MADCTL B7='1')</td> </tr> <tr> <td rowspan="2">D29</td> <td rowspan="2">Column address order</td> <td>0</td> <td>Left to Right (When MADCTL B6='0').</td> </tr> <tr> <td>1</td> <td>Right to Left (When MADCTL B6='1').</td> </tr> <tr> <td rowspan="2">D28</td> <td rowspan="2">Row/column exchange</td> <td>0</td> <td>Normal Mode (When MADCTL B5='0').</td> </tr> <tr> <td>1</td> <td>Reverse Mode (When MADCTL B5='1').</td> </tr> <tr> <td rowspan="2">D27</td> <td rowspan="2">Vertical refresh</td> <td>0</td> <td>LCD Refresh Top to Bottom (When MADCTL B4='0')</td> </tr> <tr> <td>1</td> <td>LCD Refresh Bottom to Top (When MADCTL B4='1').</td> </tr> <tr> <td rowspan="2">D26</td> <td rowspan="2">RGB/BGR order</td> <td>0</td> <td>RGB (When MADCTL B3='0')</td> </tr> <tr> <td>1</td> <td>BGR (When MADCTL B3='1')</td> </tr> <tr> <td rowspan="2">D25</td> <td rowspan="2">Horizontal refresh order</td> <td>0</td> <td>LCD Refresh Left to Right (When MADCTL B2='0')</td> </tr> <tr> <td>1</td> <td>LCD Refresh Right to Left (When MADCTL B2='1')</td> </tr> <tr> <td>D24</td> <td>Not used</td> <td>0</td> <td>-</td> </tr> <tr> <td>D23</td> <td>Not used</td> <td>0</td> <td>-</td> </tr> <tr> <td>D22</td> <td rowspan="3">Interface color pixel format definition</td> <td rowspan="3">101</td> <td rowspan="3">16-bit/pixel</td> </tr> <tr> <td>D21</td> </tr> <tr> <td>D20</td> <td>110</td> <td>18-bit/pixel</td> </tr> <tr> <td rowspan="2">D19</td> <td rowspan="2">Idle mode ON/OFF</td> <td>0</td> <td>Idle Mode OFF</td> </tr> <tr> <td>1</td> <td>Idle Mode ON</td> </tr> <tr> <td rowspan="2">D18</td> <td rowspan="2">Partial mode ON/OFF</td> <td>0</td> <td>Partial Mode OFF</td> </tr> <tr> <td>1</td> <td>Partial Mode ON</td> </tr> </tbody> </table>													Bit	Description	Value	Status	D31	Booster voltage status	0	Booster OFF	1	Booster ON	D30	Row address order	0	Top to Bottom (When MADCTL B7='0')	1	Bottom to Top (When MADCTL B7='1')	D29	Column address order	0	Left to Right (When MADCTL B6='0').	1	Right to Left (When MADCTL B6='1').	D28	Row/column exchange	0	Normal Mode (When MADCTL B5='0').	1	Reverse Mode (When MADCTL B5='1').	D27	Vertical refresh	0	LCD Refresh Top to Bottom (When MADCTL B4='0')	1	LCD Refresh Bottom to Top (When MADCTL B4='1').	D26	RGB/BGR order	0	RGB (When MADCTL B3='0')	1	BGR (When MADCTL B3='1')	D25	Horizontal refresh order	0	LCD Refresh Left to Right (When MADCTL B2='0')	1	LCD Refresh Right to Left (When MADCTL B2='1')	D24	Not used	0	-	D23	Not used	0	-	D22	Interface color pixel format definition	101	16-bit/pixel	D21	D20	110	18-bit/pixel	D19	Idle mode ON/OFF	0	Idle Mode OFF	1	Idle Mode ON	D18	Partial mode ON/OFF	0	Partial Mode OFF	1	Partial Mode ON
	Bit	Description	Value	Status																																																																																			
	D31	Booster voltage status	0	Booster OFF																																																																																			
			1	Booster ON																																																																																			
	D30	Row address order	0	Top to Bottom (When MADCTL B7='0')																																																																																			
			1	Bottom to Top (When MADCTL B7='1')																																																																																			
	D29	Column address order	0	Left to Right (When MADCTL B6='0').																																																																																			
			1	Right to Left (When MADCTL B6='1').																																																																																			
	D28	Row/column exchange	0	Normal Mode (When MADCTL B5='0').																																																																																			
			1	Reverse Mode (When MADCTL B5='1').																																																																																			
	D27	Vertical refresh	0	LCD Refresh Top to Bottom (When MADCTL B4='0')																																																																																			
			1	LCD Refresh Bottom to Top (When MADCTL B4='1').																																																																																			
	D26	RGB/BGR order	0	RGB (When MADCTL B3='0')																																																																																			
			1	BGR (When MADCTL B3='1')																																																																																			
	D25	Horizontal refresh order	0	LCD Refresh Left to Right (When MADCTL B2='0')																																																																																			
			1	LCD Refresh Right to Left (When MADCTL B2='1')																																																																																			
	D24	Not used	0	-																																																																																			
	D23	Not used	0	-																																																																																			
	D22	Interface color pixel format definition	101	16-bit/pixel																																																																																			
D21																																																																																							
D20	110				18-bit/pixel																																																																																		
D19	Idle mode ON/OFF	0	Idle Mode OFF																																																																																				
		1	Idle Mode ON																																																																																				
D18	Partial mode ON/OFF	0	Partial Mode OFF																																																																																				
		1	Partial Mode ON																																																																																				

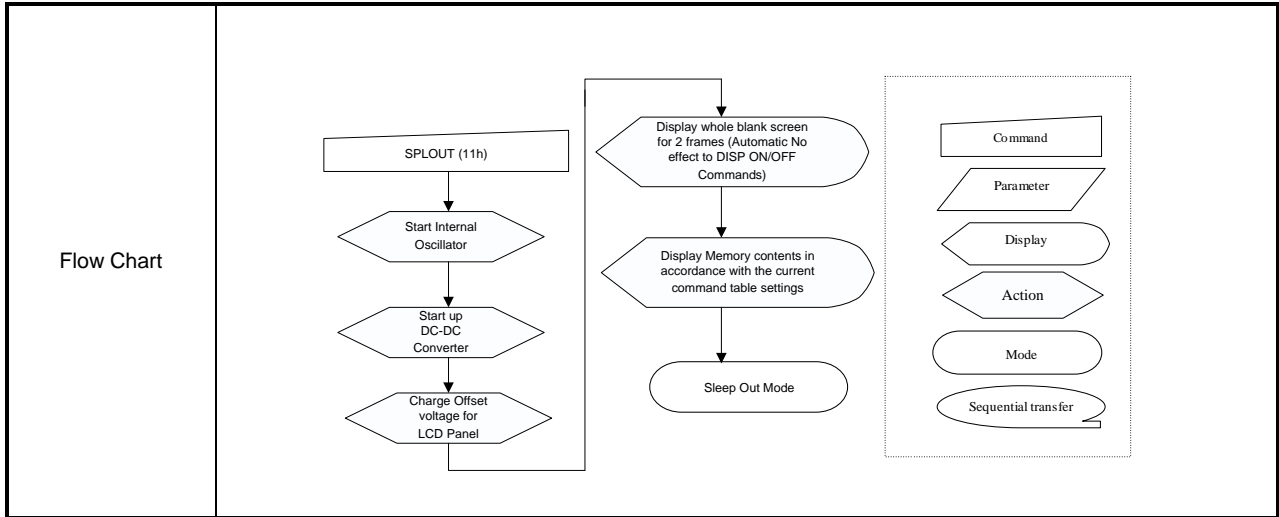
	D17	Sleep IN/OUT	0	Sleep IN Mode
			1	Sleep OUT Mode
	D16	Display normal mode ON/OFF	0	Display Normal Mode OFF.
			1	Display Normal Mode ON.
	D15	Vertical scrolling status	0	Scroll OFF
	D14	Not used	0	-
	D13	Inversion status	0	Not defined
	D12	All pixel ON	0	Not defined
	D11	All pixel OFF	0	Not defined
	D10	Display ON/OFF	0	
			1	Display is ON
	D9	Tearing effect line ON/OFF	0	Tearing Effect Line OFF
			1	Tearing Effect ON
	D5	Tearing effect line mode	0	Mode 1, V-Blanking only
			1	Mode 2, both H-Blanking and V-Blanking
	D4	Not used	0	-
	D3	Not used	0	-
D2	Not used	0	-	
D1	Not used	0	-	
D0	Not used	0	-	
Restriction				
Register Availability			Status	Availability
			Normal Mode On, Idle Mode Off, Sleep Out	Yes
			Partial Mode On, Idle Mode Off, Sleep Out	Yes
			Partial Mode On, Idle Mode On, Sleep Out	Yes
			Sleep In	Yes

6.2.3. Enter Sleep Mode (10h)

10h	Enter Sleep Mode																								
	D/CX	RDX	WRX	D17-8	D7	D6	D5	D4	D3	D2	D1	D0	HEX												
Command	0	1	↑	XX	0	0	0	1	0	0	0	0	10h												
Parameter	No Parameter																								
Description	<p>This command causes the LCD module to enter the minimum power consumption mode. In this mode e.g. the DC/DC converter is stopped, Internal oscillator is stopped, and panel scanning is stopped</p>  <p>MCU interface and memory are still working and the memory keeps its contents. X = Don't care</p>																								
Restriction	<p>This command has no effect when module is already in sleep in mode. Sleep In Mode can only be left by the Sleep Out Command (11h). It will be necessary to wait 5msec before sending next to command, this is to allow time for the supply voltages and clock circuits to stabilize. It will be necessary to wait 120msec after sending Sleep Out command (when in Sleep In Mode) before Sleep In command can be sent.</p>																								
Register Availability	<table border="1"> <thead> <tr> <th>Status</th> <th>Availability</th> </tr> </thead> <tbody> <tr> <td>Normal Mode On, Idle Mode Off, Sleep Out</td> <td>Yes</td> </tr> <tr> <td>Normal Mode On, Idle Mode On, Sleep Out</td> <td>Yes</td> </tr> <tr> <td>Partial Mode On, Idle Mode Off, Sleep Out</td> <td>Yes</td> </tr> <tr> <td>Partial Mode On, Idle Mode On, Sleep Out</td> <td>Yes</td> </tr> <tr> <td>Sleep In</td> <td>Yes</td> </tr> </tbody> </table>													Status	Availability	Normal Mode On, Idle Mode Off, Sleep Out	Yes	Normal Mode On, Idle Mode On, Sleep Out	Yes	Partial Mode On, Idle Mode Off, Sleep Out	Yes	Partial Mode On, Idle Mode On, Sleep Out	Yes	Sleep In	Yes
Status	Availability																								
Normal Mode On, Idle Mode Off, Sleep Out	Yes																								
Normal Mode On, Idle Mode On, Sleep Out	Yes																								
Partial Mode On, Idle Mode Off, Sleep Out	Yes																								
Partial Mode On, Idle Mode On, Sleep Out	Yes																								
Sleep In	Yes																								
Default	<table border="1"> <thead> <tr> <th>Status</th> <th>Default Value</th> </tr> </thead> <tbody> <tr> <td>Power On Sequence</td> <td>Sleep IN Mode</td> </tr> <tr> <td>SW Reset</td> <td>Sleep IN Mode</td> </tr> <tr> <td>HW Reset</td> <td>Sleep IN Mode</td> </tr> </tbody> </table>													Status	Default Value	Power On Sequence	Sleep IN Mode	SW Reset	Sleep IN Mode	HW Reset	Sleep IN Mode				
Status	Default Value																								
Power On Sequence	Sleep IN Mode																								
SW Reset	Sleep IN Mode																								
HW Reset	Sleep IN Mode																								
Flow Chart	<p>It takes 120msec to get into Sleep In mode after SLPIN command issued.</p>  <div style="border: 1px dashed black; padding: 5px; margin-top: 10px;"> <p>Legend for Flow Chart symbols:</p> <ul style="list-style-type: none"> Command: Rectangle Parameter: Parallelogram Display: Hexagon Action: Diamond Mode: Oval Sequential transfer: Arrow with tail </div>																								

6.2.4. Sleep Out Mode (11h)

11h	Sleep Out Mode																								
	D/CX	RDX	WRX	D17-8	D7	D6	D5	D4	D3	D2	D1	D0	HEX												
Command	0	1	↑	XX	0	0	0	1	0	0	0	1	11h												
Parameter	No Parameter																								
Description	<p>This command turns off sleep mode.</p> <p>the DC/DC converter is enabled, Internal oscillator is started, and panel scanning is started.</p> <p>X = Don't care</p>																								
Restriction	<p>This command has no effect when module is already in sleep out mode. Sleep Out Mode can only be left by the Sleep In Command (10h). It will be necessary to wait 5msec before sending next command, this is to allow time for the supply voltages and clock circuits stabilize. The display module loads all display supplier's factory default values to the registers during this 5msec and there cannot be any abnormal visual effect on the display image if factory default and register values are same when this load is done and when the display module is already Sleep Out –mode. The display module is doing self-diagnostic functions during this 5msec. It will be necessary to wait 120msec after sending Sleep In command (when in Sleep Out mode) before Sleep Out command can be sent.</p>																								
Register Availability	<table border="1"> <thead> <tr> <th>Status</th> <th>Availability</th> </tr> </thead> <tbody> <tr> <td>Normal Mode On, Idle Mode Off, Sleep Out</td> <td>Yes</td> </tr> <tr> <td>Normal Mode On, Idle Mode On, Sleep Out</td> <td>Yes</td> </tr> <tr> <td>Partial Mode On, Idle Mode Off, Sleep Out</td> <td>Yes</td> </tr> <tr> <td>Partial Mode On, Idle Mode On, Sleep Out</td> <td>Yes</td> </tr> <tr> <td>Sleep In</td> <td>Yes</td> </tr> </tbody> </table>													Status	Availability	Normal Mode On, Idle Mode Off, Sleep Out	Yes	Normal Mode On, Idle Mode On, Sleep Out	Yes	Partial Mode On, Idle Mode Off, Sleep Out	Yes	Partial Mode On, Idle Mode On, Sleep Out	Yes	Sleep In	Yes
Status	Availability																								
Normal Mode On, Idle Mode Off, Sleep Out	Yes																								
Normal Mode On, Idle Mode On, Sleep Out	Yes																								
Partial Mode On, Idle Mode Off, Sleep Out	Yes																								
Partial Mode On, Idle Mode On, Sleep Out	Yes																								
Sleep In	Yes																								
Default	<table border="1"> <thead> <tr> <th>Status</th> <th>Default Value</th> </tr> </thead> <tbody> <tr> <td>Power On Sequence</td> <td>Sleep IN Mode</td> </tr> <tr> <td>SW Reset</td> <td>Sleep IN Mode</td> </tr> <tr> <td>HW Reset</td> <td>Sleep IN Mode</td> </tr> </tbody> </table>													Status	Default Value	Power On Sequence	Sleep IN Mode	SW Reset	Sleep IN Mode	HW Reset	Sleep IN Mode				
Status	Default Value																								
Power On Sequence	Sleep IN Mode																								
SW Reset	Sleep IN Mode																								
HW Reset	Sleep IN Mode																								



6.2.5. Partial Mode ON (12h)

12h	Partial Mode ON																								
	D/CX	RDX	WRX	D17-8	D7	D6	D5	D4	D3	D2	D1	D0	HEX												
Command	0	1	↑	XX	0	0	0	1	0	0	1	0	12h												
Parameter	No Parameter																								
Description	<p>This command turns on partial mode. The partial mode window is described by the Partial Area command (30H). To leave Partial mode, the Normal Display Mode On command (13H) should be written.</p> <p>X = Don't care</p>																								
Restriction	This command has no effect when Partial mode is active.																								
Register Availability	<table border="1"> <thead> <tr> <th>Status</th> <th>Availability</th> </tr> </thead> <tbody> <tr> <td>Normal Mode On, Idle Mode Off, Sleep Out</td> <td>Yes</td> </tr> <tr> <td>Normal Mode On, Idle Mode On, Sleep Out</td> <td>Yes</td> </tr> <tr> <td>Partial Mode On, Idle Mode Off, Sleep Out</td> <td>Yes</td> </tr> <tr> <td>Partial Mode On, Idle Mode On, Sleep Out</td> <td>Yes</td> </tr> <tr> <td>Sleep In</td> <td>Yes</td> </tr> </tbody> </table>													Status	Availability	Normal Mode On, Idle Mode Off, Sleep Out	Yes	Normal Mode On, Idle Mode On, Sleep Out	Yes	Partial Mode On, Idle Mode Off, Sleep Out	Yes	Partial Mode On, Idle Mode On, Sleep Out	Yes	Sleep In	Yes
Status	Availability																								
Normal Mode On, Idle Mode Off, Sleep Out	Yes																								
Normal Mode On, Idle Mode On, Sleep Out	Yes																								
Partial Mode On, Idle Mode Off, Sleep Out	Yes																								
Partial Mode On, Idle Mode On, Sleep Out	Yes																								
Sleep In	Yes																								
Default	<table border="1"> <thead> <tr> <th>Status</th> <th>Default Value</th> </tr> </thead> <tbody> <tr> <td>Power On Sequence</td> <td>Normal Display Mode ON</td> </tr> <tr> <td>SW Reset</td> <td>Normal Display Mode</td> </tr> <tr> <td>HW Reset</td> <td>Normal Display Mode ON</td> </tr> </tbody> </table>													Status	Default Value	Power On Sequence	Normal Display Mode ON	SW Reset	Normal Display Mode	HW Reset	Normal Display Mode ON				
Status	Default Value																								
Power On Sequence	Normal Display Mode ON																								
SW Reset	Normal Display Mode																								
HW Reset	Normal Display Mode ON																								
Flow Chart	See Partial Area (30h)																								

6.2.6. Normal Display Mode ON (13h)

13h	Normal Display Mode ON																								
	D/CX	RDX	WRX	D17-8	D7	D6	D5	D4	D3	D2	D1	D0	HEX												
Command	0	1	↑	XX	0	0	0	1	0	0	1	1	13h												
Parameter	No Parameter																								
Description	<p>This command returns the display to normal mode.</p> <p>Normal display mode on means Partial mode off.</p> <p>Exit from NORON by the Partial mode On command (12h)</p> <p>X = Don't care</p>																								
Restriction	This command has no effect when Normal Display mode is active.																								
Register Availability	<table border="1"> <thead> <tr> <th>Status</th> <th>Availability</th> </tr> </thead> <tbody> <tr> <td>Normal Mode On, Idle Mode Off, Sleep Out</td> <td>Yes</td> </tr> <tr> <td>Normal Mode On, Idle Mode On, Sleep Out</td> <td>Yes</td> </tr> <tr> <td>Partial Mode On, Idle Mode Off, Sleep Out</td> <td>Yes</td> </tr> <tr> <td>Partial Mode On, Idle Mode On, Sleep Out</td> <td>Yes</td> </tr> <tr> <td>Sleep In</td> <td>Yes</td> </tr> </tbody> </table>													Status	Availability	Normal Mode On, Idle Mode Off, Sleep Out	Yes	Normal Mode On, Idle Mode On, Sleep Out	Yes	Partial Mode On, Idle Mode Off, Sleep Out	Yes	Partial Mode On, Idle Mode On, Sleep Out	Yes	Sleep In	Yes
Status	Availability																								
Normal Mode On, Idle Mode Off, Sleep Out	Yes																								
Normal Mode On, Idle Mode On, Sleep Out	Yes																								
Partial Mode On, Idle Mode Off, Sleep Out	Yes																								
Partial Mode On, Idle Mode On, Sleep Out	Yes																								
Sleep In	Yes																								
Default	<table border="1"> <thead> <tr> <th>Status</th> <th>Default Value</th> </tr> </thead> <tbody> <tr> <td>Power On Sequence</td> <td>Normal Display Mode ON</td> </tr> <tr> <td>SW Reset</td> <td>Normal Display Mode</td> </tr> <tr> <td>HW Reset</td> <td>Normal Display Mode ON</td> </tr> </tbody> </table>													Status	Default Value	Power On Sequence	Normal Display Mode ON	SW Reset	Normal Display Mode	HW Reset	Normal Display Mode ON				
Status	Default Value																								
Power On Sequence	Normal Display Mode ON																								
SW Reset	Normal Display Mode																								
HW Reset	Normal Display Mode ON																								
Flow Chart	See Partial Area (30h)																								

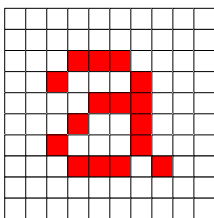
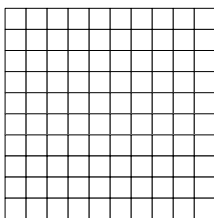
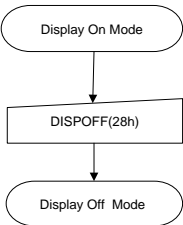
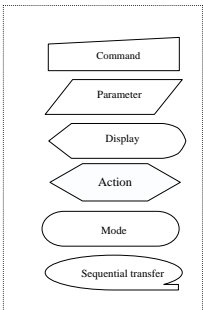
6.2.7. Display Inversion OFF (20h)

20h	Display Inversion OFF																								
	D/CX	RDX	WRX	D17-8	D7	D6	D5	D4	D3	D2	D1	D0	HEX												
Command	0	1	↑	XX	0	0	1	0	0	0	0	0	20h												
Parameter	No Parameter																								
Description	<p>This command is used to recover from display inversion mode.</p> <p>This command makes no change of the content of frame memory.</p> <p>This command doesn't change any other status.</p> <div style="display: flex; justify-content: space-around; align-items: center;"> <div style="text-align: center;"> <p>memory</p> </div> <div style="font-size: 2em; margin: 0 20px;">→</div> <div style="text-align: center;"> <p>Display Panel</p> </div> </div> <p>X = Don't care</p>																								
Restriction	This command has no effect when module already is inversion OFF mode.																								
Register Availability	<table border="1" style="width: 100%; border-collapse: collapse;"> <thead> <tr> <th style="width: 70%;">Status</th> <th style="width: 30%;">Availability</th> </tr> </thead> <tbody> <tr> <td>Normal Mode On, Idle Mode Off, Sleep Out</td> <td style="text-align: center;">Yes</td> </tr> <tr> <td>Normal Mode On, Idle Mode On, Sleep Out</td> <td style="text-align: center;">Yes</td> </tr> <tr> <td>Partial Mode On, Idle Mode Off, Sleep Out</td> <td style="text-align: center;">Yes</td> </tr> <tr> <td>Partial Mode On, Idle Mode On, Sleep Out</td> <td style="text-align: center;">Yes</td> </tr> <tr> <td style="text-align: center;">Sleep In</td> <td style="text-align: center;">Yes</td> </tr> </tbody> </table>													Status	Availability	Normal Mode On, Idle Mode Off, Sleep Out	Yes	Normal Mode On, Idle Mode On, Sleep Out	Yes	Partial Mode On, Idle Mode Off, Sleep Out	Yes	Partial Mode On, Idle Mode On, Sleep Out	Yes	Sleep In	Yes
Status	Availability																								
Normal Mode On, Idle Mode Off, Sleep Out	Yes																								
Normal Mode On, Idle Mode On, Sleep Out	Yes																								
Partial Mode On, Idle Mode Off, Sleep Out	Yes																								
Partial Mode On, Idle Mode On, Sleep Out	Yes																								
Sleep In	Yes																								
Default	<table border="1" style="width: 100%; border-collapse: collapse;"> <thead> <tr> <th style="width: 70%;">Status</th> <th style="width: 30%;">Default Value</th> </tr> </thead> <tbody> <tr> <td>Power On Sequence</td> <td style="text-align: center;">Display Inversion OFF</td> </tr> <tr> <td>SW Reset</td> <td style="text-align: center;">Display Inversion OFF</td> </tr> <tr> <td>HW Reset</td> <td style="text-align: center;">Display Inversion OFF</td> </tr> </tbody> </table>													Status	Default Value	Power On Sequence	Display Inversion OFF	SW Reset	Display Inversion OFF	HW Reset	Display Inversion OFF				
Status	Default Value																								
Power On Sequence	Display Inversion OFF																								
SW Reset	Display Inversion OFF																								
HW Reset	Display Inversion OFF																								
Flow Chart	<div style="display: flex; justify-content: space-around; align-items: center;"> <div style="text-align: center;"> <pre> graph TD A([Display Inversion On Mode]) --> B[INVOFF(20h)] B --> C([Display Inversion Off Mode]) </pre> </div> <div style="border: 1px dashed gray; padding: 5px;"> </div> </div>																								

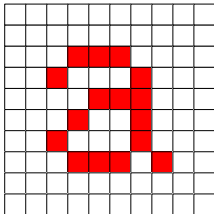
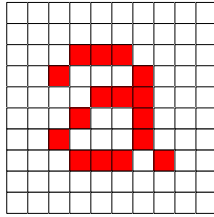
6.2.8. Display Inversion ON (21h)

21h	Display Inversion ON																								
	D/CX	RDX	WRX	D17-8	D7	D6	D5	D4	D3	D2	D1	D0	HEX												
Command	0	1	↑	XX	0	0	1	0	0	0	0	1	21h												
Parameter	No Parameter																								
Description	<p>This command is used to enter into display inversion mode.</p> <p>This command makes no change of the content of frame memory. Every bit is inverted from the frame memory to the display.</p> <p>This command doesn't change any other status.</p> <p>To exit Display inversion mode, the Display inversion OFF command (20h) should be written..</p> <div style="text-align: center;"> </div> <p>X = Don't care</p>																								
Restriction	This command has no effect when module already is inversion ON mode.																								
Register Availability	<table border="1" style="width: 100%; border-collapse: collapse;"> <thead> <tr> <th style="width: 70%;">Status</th> <th style="width: 30%;">Availability</th> </tr> </thead> <tbody> <tr> <td>Normal Mode On, Idle Mode Off, Sleep Out</td> <td style="text-align: center;">Yes</td> </tr> <tr> <td>Normal Mode On, Idle Mode On, Sleep Out</td> <td style="text-align: center;">Yes</td> </tr> <tr> <td>Partial Mode On, Idle Mode Off, Sleep Out</td> <td style="text-align: center;">Yes</td> </tr> <tr> <td>Partial Mode On, Idle Mode On, Sleep Out</td> <td style="text-align: center;">Yes</td> </tr> <tr> <td style="text-align: center;">Sleep In</td> <td style="text-align: center;">Yes</td> </tr> </tbody> </table>													Status	Availability	Normal Mode On, Idle Mode Off, Sleep Out	Yes	Normal Mode On, Idle Mode On, Sleep Out	Yes	Partial Mode On, Idle Mode Off, Sleep Out	Yes	Partial Mode On, Idle Mode On, Sleep Out	Yes	Sleep In	Yes
Status	Availability																								
Normal Mode On, Idle Mode Off, Sleep Out	Yes																								
Normal Mode On, Idle Mode On, Sleep Out	Yes																								
Partial Mode On, Idle Mode Off, Sleep Out	Yes																								
Partial Mode On, Idle Mode On, Sleep Out	Yes																								
Sleep In	Yes																								
Default	<table border="1" style="width: 100%; border-collapse: collapse;"> <thead> <tr> <th style="width: 70%;">Status</th> <th style="width: 30%;">Default Value</th> </tr> </thead> <tbody> <tr> <td>Power On Sequence</td> <td style="text-align: center;">Display Inversion OFF</td> </tr> <tr> <td>SW Reset</td> <td style="text-align: center;">Display Inversion OFF</td> </tr> <tr> <td>HW Reset</td> <td style="text-align: center;">Display Inversion OFF</td> </tr> </tbody> </table>													Status	Default Value	Power On Sequence	Display Inversion OFF	SW Reset	Display Inversion OFF	HW Reset	Display Inversion OFF				
Status	Default Value																								
Power On Sequence	Display Inversion OFF																								
SW Reset	Display Inversion OFF																								
HW Reset	Display Inversion OFF																								
Flow Chart	<div style="display: flex; justify-content: space-around; align-items: center;"> <div style="text-align: center;"> <pre> graph TD A([Display Inversion Off Mode]) --> B[INVOFF(21h)] B --> C([Display Inversion On Mode]) </pre> </div> <div style="border: 1px dashed gray; padding: 5px;"> </div> </div>																								

6.2.9. Display OFF (28h)

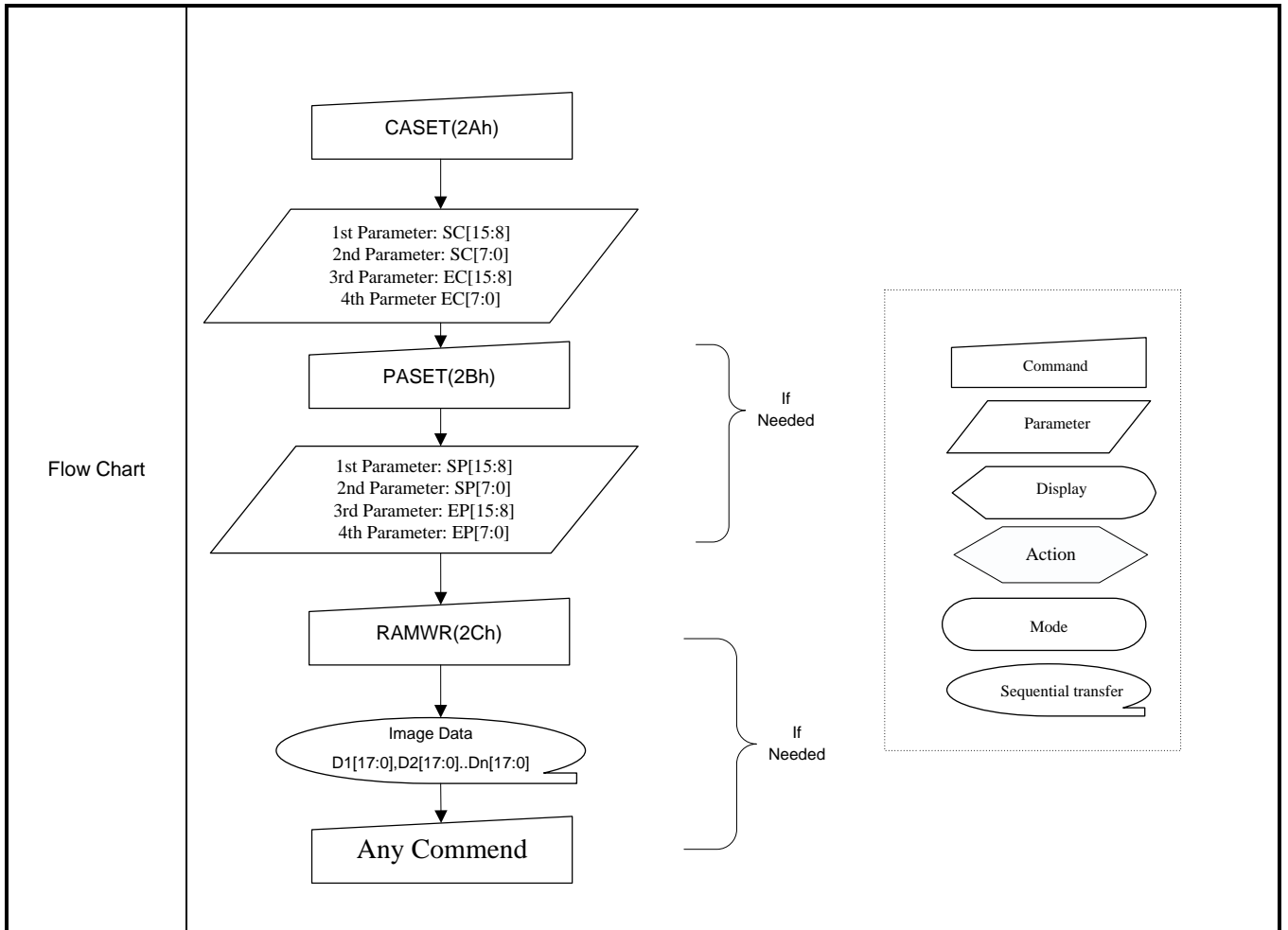
28h	Display OFF																								
	D/CX	RDX	WRX	D17-8	D7	D6	D5	D4	D3	D2	D1	D0	HEX												
Command	0	1	↑	XX	0	0	1	0	1	0	0	0	28h												
Parameter	No Parameter																								
Description	<p>This command is used to enter into DISPLAY OFF mode. In this mode, the output from Frame Memory is disabled and blank page inserted.</p> <p>This command makes no change of contents of frame memory.</p> <p>This command does not change any other status.</p> <p>There will be no abnormal visible effect on the display.</p> <div style="display: flex; justify-content: space-around; align-items: center;"> <div style="text-align: center;"> <p>memory</p>  </div> <div style="font-size: 2em;">→</div> <div style="text-align: center;"> <p>Display Panel</p>  </div> </div> <p>X = Don't care</p>																								
Restriction	This command has no effect when module is already in display off mode.																								
Register Availability	<table border="1" style="width: 100%; border-collapse: collapse; text-align: center;"> <thead> <tr> <th style="width: 70%;">Status</th> <th style="width: 30%;">Availability</th> </tr> </thead> <tbody> <tr> <td>Normal Mode On, Idle Mode Off, Sleep Out</td> <td>Yes</td> </tr> <tr> <td>Normal Mode On, Idle Mode On, Sleep Out</td> <td>Yes</td> </tr> <tr> <td>Partial Mode On, Idle Mode Off, Sleep Out</td> <td>Yes</td> </tr> <tr> <td>Partial Mode On, Idle Mode On, Sleep Out</td> <td>Yes</td> </tr> <tr> <td>Sleep In</td> <td>Yes</td> </tr> </tbody> </table>													Status	Availability	Normal Mode On, Idle Mode Off, Sleep Out	Yes	Normal Mode On, Idle Mode On, Sleep Out	Yes	Partial Mode On, Idle Mode Off, Sleep Out	Yes	Partial Mode On, Idle Mode On, Sleep Out	Yes	Sleep In	Yes
Status	Availability																								
Normal Mode On, Idle Mode Off, Sleep Out	Yes																								
Normal Mode On, Idle Mode On, Sleep Out	Yes																								
Partial Mode On, Idle Mode Off, Sleep Out	Yes																								
Partial Mode On, Idle Mode On, Sleep Out	Yes																								
Sleep In	Yes																								
Default	<table border="1" style="width: 100%; border-collapse: collapse; text-align: center;"> <thead> <tr> <th style="width: 70%;">Status</th> <th style="width: 30%;">Default Value</th> </tr> </thead> <tbody> <tr> <td>Power On Sequence</td> <td>Display OFF</td> </tr> <tr> <td>SW Reset</td> <td>Display OFF</td> </tr> <tr> <td>HW Reset</td> <td>Display OFF</td> </tr> </tbody> </table>													Status	Default Value	Power On Sequence	Display OFF	SW Reset	Display OFF	HW Reset	Display OFF				
Status	Default Value																								
Power On Sequence	Display OFF																								
SW Reset	Display OFF																								
HW Reset	Display OFF																								
Flow Chart	<div style="display: flex; align-items: center; justify-content: center;"> <div style="text-align: center; margin-right: 20px;">  <pre> graph TD A([Display On Mode]) --> B[DISPOFF(28h)] B --> C([Display Off Mode]) </pre> </div> <div style="border: 1px dashed gray; padding: 5px;">  </div> </div>																								

6.2.10. Display ON (29h)

29h	Display ON																								
	D/CX	RDX	WRX	D17-8	D7	D6	D5	D4	D3	D2	D1	D0	HEX												
Command	0	1	↑	XX	0	0	1	0	1	0	0	1	29h												
Parameter	No Parameter																								
Description	<p>This command is used to recover from DISPLAY OFF mode. Output from the Frame Memory is enabled.</p> <p>This command makes no change of contents of frame memory.</p> <p>This command does not change any other status.</p> <div style="display: flex; justify-content: space-around; align-items: center;"> <div style="text-align: center;"> <p>memory</p>  </div> <div style="font-size: 2em;">→</div> <div style="text-align: center;"> <p>Display Panel</p>  </div> </div> <p>X = Don't care</p>																								
Restriction	This command has no effect when module is already in display on mode.																								
Register Availability	<table border="1" style="width: 100%; border-collapse: collapse;"> <thead> <tr> <th style="width: 50%;">Status</th> <th style="width: 50%;">Availability</th> </tr> </thead> <tbody> <tr> <td>Normal Mode On, Idle Mode Off, Sleep Out</td> <td>Yes</td> </tr> <tr> <td>Normal Mode On, Idle Mode On, Sleep Out</td> <td>Yes</td> </tr> <tr> <td>Partial Mode On, Idle Mode Off, Sleep Out</td> <td>Yes</td> </tr> <tr> <td>Partial Mode On, Idle Mode On, Sleep Out</td> <td>Yes</td> </tr> <tr> <td>Sleep In</td> <td>Yes</td> </tr> </tbody> </table>													Status	Availability	Normal Mode On, Idle Mode Off, Sleep Out	Yes	Normal Mode On, Idle Mode On, Sleep Out	Yes	Partial Mode On, Idle Mode Off, Sleep Out	Yes	Partial Mode On, Idle Mode On, Sleep Out	Yes	Sleep In	Yes
Status	Availability																								
Normal Mode On, Idle Mode Off, Sleep Out	Yes																								
Normal Mode On, Idle Mode On, Sleep Out	Yes																								
Partial Mode On, Idle Mode Off, Sleep Out	Yes																								
Partial Mode On, Idle Mode On, Sleep Out	Yes																								
Sleep In	Yes																								
Default	<table border="1" style="width: 100%; border-collapse: collapse;"> <thead> <tr> <th style="width: 50%;">Status</th> <th style="width: 50%;">Default Value</th> </tr> </thead> <tbody> <tr> <td>Power On Sequence</td> <td>Display OFF</td> </tr> <tr> <td>SW Reset</td> <td>Display OFF</td> </tr> <tr> <td>HW Reset</td> <td>Display OFF</td> </tr> </tbody> </table>													Status	Default Value	Power On Sequence	Display OFF	SW Reset	Display OFF	HW Reset	Display OFF				
Status	Default Value																								
Power On Sequence	Display OFF																								
SW Reset	Display OFF																								
HW Reset	Display OFF																								
Flow Chart	<div style="display: flex; align-items: center;"> <div style="flex: 1;"> <pre> graph TD A([Display Off Mode]) --> B[DISPON(29h)] B --> C([Display ON Mode]) </pre> </div> <div style="flex: 1; border: 1px dashed gray; padding: 5px;"> <p>Legend:</p> <ul style="list-style-type: none"> ▭ Command ▤ Parameter ◡ Display ◤ Action ○ Mode ↻ Sequential transfer </div> </div>																								

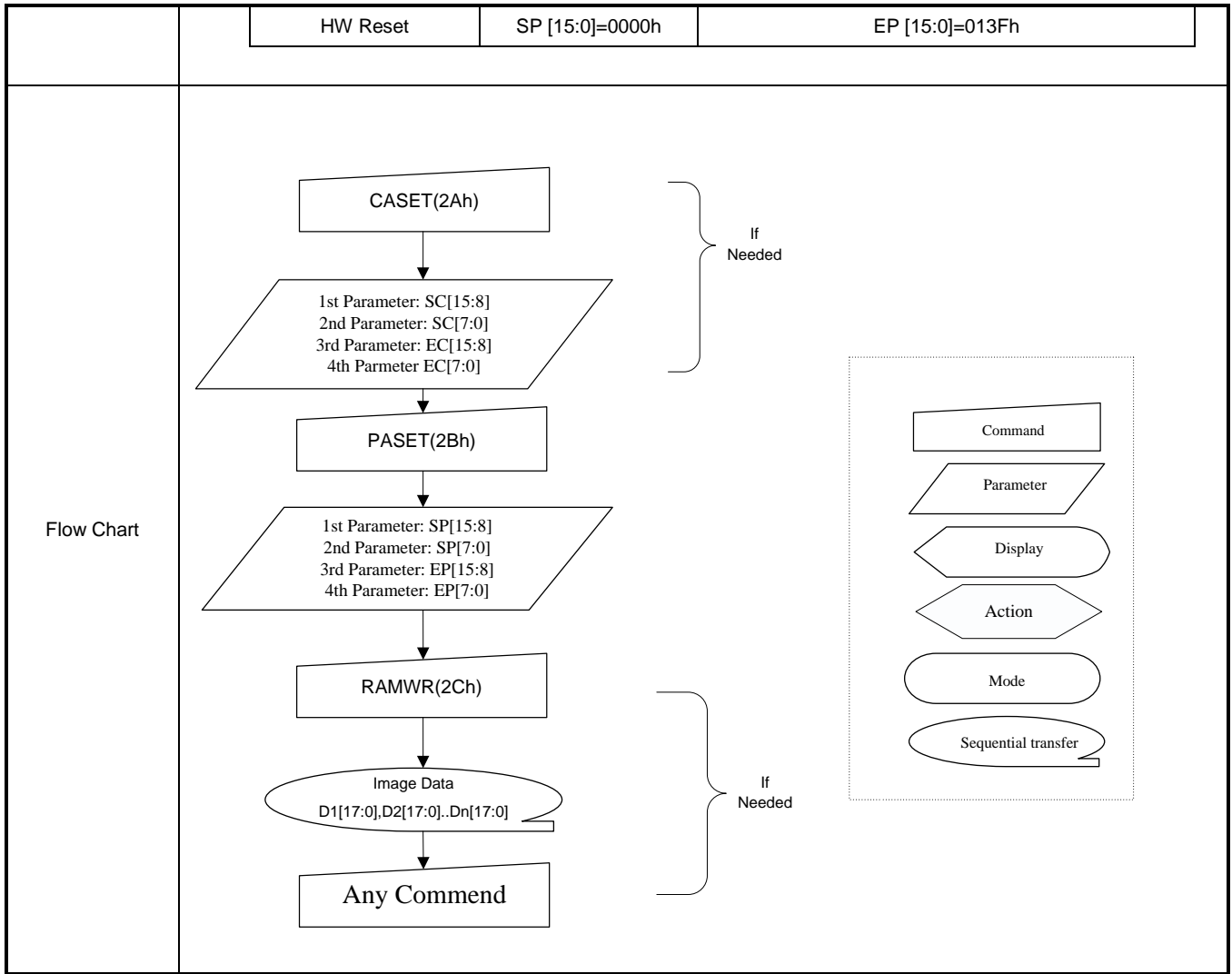
6.2.11. Column Address Set (2Ah)

2Ah	Column Address Set																									
	D/CX	RDX	WRX	D17-8	D7	D6	D5	D4	D3	D2	D1	D0	HEX													
Command	0	1	↑	XX	0	0	1	0	1	0	1	0	2Ah													
1 st Parameter	1	1	↑	XX	SC15	SC14	SC13	SC12	SC11	SC10	SC9	SC8	Note1													
2 nd Parameter	1	1	↑	XX	SC7	SC6	SC5	SC4	SC3	SC2	SC1	SC0														
3 rd Parameter	1	1	↑	XX	EC15	EC14	EC13	EC12	EC11	EC10	EC9	EC8	Note1													
4 th Parameter	1	1	↑	XX	EC7	EC6	EC5	EC4	EC3	EC2	EC1	EC0														
Description	<p>This command is used to define area of frame memory where MCU can access. This command makes no change on the other driver status. The values of SC [15:0] and EC [15:0] are referred when RAMWR command comes. Each value represents one column line in the Frame Memory..</p> <div style="text-align: center;"> </div> <p>X = Don't care</p>																									
Restriction	<p>SC [15:0] always must be equal to or less than EC [15:0].</p> <p>Note 1: When SC [15:0] or EC [15:0] is greater than 00EFh (When MADCTL's B5 = 0) or 013Fh (When MADCTL's B5 = 1), data of out of range will be ignored</p>																									
Register Availability	<table border="1"> <thead> <tr> <th>Status</th> <th>Availability</th> </tr> </thead> <tbody> <tr> <td>Normal Mode On, Idle Mode Off, Sleep Out</td> <td>Yes</td> </tr> <tr> <td>Normal Mode On, Idle Mode On, Sleep Out</td> <td>Yes</td> </tr> <tr> <td>Partial Mode On, Idle Mode Off, Sleep Out</td> <td>Yes</td> </tr> <tr> <td>Partial Mode On, Idle Mode On, Sleep Out</td> <td>Yes</td> </tr> <tr> <td>Sleep In</td> <td>Yes</td> </tr> </tbody> </table>													Status	Availability	Normal Mode On, Idle Mode Off, Sleep Out	Yes	Normal Mode On, Idle Mode On, Sleep Out	Yes	Partial Mode On, Idle Mode Off, Sleep Out	Yes	Partial Mode On, Idle Mode On, Sleep Out	Yes	Sleep In	Yes	
Status	Availability																									
Normal Mode On, Idle Mode Off, Sleep Out	Yes																									
Normal Mode On, Idle Mode On, Sleep Out	Yes																									
Partial Mode On, Idle Mode Off, Sleep Out	Yes																									
Partial Mode On, Idle Mode On, Sleep Out	Yes																									
Sleep In	Yes																									
Default	<table border="1"> <thead> <tr> <th>Status</th> <th colspan="2">Default Value</th> </tr> </thead> <tbody> <tr> <td>Power On Sequence</td> <td>SC [15:0]=0000h</td> <td>EC [15:0]=00EFh</td> </tr> <tr> <td rowspan="2">SW Reset</td> <td rowspan="2">SC [15:0]=0000h</td> <td>If MADCTL's B5 = 0: EC [15:0]=00EFh</td> </tr> <tr> <td>If MADCTL's B5 = 1: EC [15:0]=013Fh</td> </tr> <tr> <td>HW Reset</td> <td>SC [15:0]=0000h</td> <td>EC [15:0]=00EFh</td> </tr> </tbody> </table>													Status	Default Value		Power On Sequence	SC [15:0]=0000h	EC [15:0]=00EFh	SW Reset	SC [15:0]=0000h	If MADCTL's B5 = 0: EC [15:0]=00EFh	If MADCTL's B5 = 1: EC [15:0]=013Fh	HW Reset	SC [15:0]=0000h	EC [15:0]=00EFh
Status	Default Value																									
Power On Sequence	SC [15:0]=0000h	EC [15:0]=00EFh																								
SW Reset	SC [15:0]=0000h	If MADCTL's B5 = 0: EC [15:0]=00EFh																								
		If MADCTL's B5 = 1: EC [15:0]=013Fh																								
HW Reset	SC [15:0]=0000h	EC [15:0]=00EFh																								



6.2.12. Row Address Set (2Bh)

2Bh	Row Address Set																								
	D/CX	RDX	WRX	D17-8	D7	D6	D5	D4	D3	D2	D1	D0	HEX												
Command	0	1	↑	XX	0	0	1	0	1	0	1	1	2Bh												
1 st Parameter	1	1	↑	XX	SP15	SP14	SP13	SP12	SP11	SP10	SP9	SP8	Note1												
2 nd Parameter	1	1	↑	XX	SP7	SP6	SP5	SP4	SP3	SP2	SP1	SP0													
3 rd Parameter	1	1	↑	XX	EP15	EP14	EP13	EP12	EP11	EP10	EP9	EP8	Note1												
4 th Parameter	1	1	↑	XX	EP7	EP6	EP5	EP4	EP3	EP2	EP1	EP0													
Description	<p>This command is used to define area of frame memory where MCU can access. This command makes no change on the other driver status. The values of SP [15:0] and EP [15:0] are referred when RAMWR command comes. Each value represents one Page line in the Frame Memory.</p> <div style="text-align: center;"> </div> <p>X = Don't care</p>																								
Restriction	<p>SP [15:0] always must be equal to or less than EP [15:0]</p> <p>Note 1: When SP [15:0] or EP [15:0] is greater than 013Fh (When MADCTL's B5 = 0) or 00EFh (When MADCTL's B5 = 1), data of out of range will be ignored.</p>																								
Register Availability	<table border="1" style="width: 100%; border-collapse: collapse;"> <thead> <tr> <th style="width: 50%;">Status</th> <th style="width: 50%;">Availability</th> </tr> </thead> <tbody> <tr> <td>Normal Mode On, Idle Mode Off, Sleep Out</td> <td style="text-align: center;">Yes</td> </tr> <tr> <td>Normal Mode On, Idle Mode On, Sleep Out</td> <td style="text-align: center;">Yes</td> </tr> <tr> <td>Partial Mode On, Idle Mode Off, Sleep Out</td> <td style="text-align: center;">Yes</td> </tr> <tr> <td>Partial Mode On, Idle Mode On, Sleep Out</td> <td style="text-align: center;">Yes</td> </tr> <tr> <td style="text-align: center;">Sleep In</td> <td style="text-align: center;">Yes</td> </tr> </tbody> </table>													Status	Availability	Normal Mode On, Idle Mode Off, Sleep Out	Yes	Normal Mode On, Idle Mode On, Sleep Out	Yes	Partial Mode On, Idle Mode Off, Sleep Out	Yes	Partial Mode On, Idle Mode On, Sleep Out	Yes	Sleep In	Yes
Status	Availability																								
Normal Mode On, Idle Mode Off, Sleep Out	Yes																								
Normal Mode On, Idle Mode On, Sleep Out	Yes																								
Partial Mode On, Idle Mode Off, Sleep Out	Yes																								
Partial Mode On, Idle Mode On, Sleep Out	Yes																								
Sleep In	Yes																								
Default	<table border="1" style="width: 100%; border-collapse: collapse;"> <thead> <tr> <th style="width: 20%;">Status</th> <th style="width: 20%;">SP [15:0]</th> <th style="width: 60%;">Default Value</th> </tr> </thead> <tbody> <tr> <td>Power On Sequence</td> <td style="text-align: center;">SP [15:0]=0000h</td> <td style="text-align: center;">EP [15:0]=013Fh</td> </tr> <tr> <td rowspan="2" style="text-align: center;">SW Reset</td> <td rowspan="2" style="text-align: center;">SP [15:0]=0000h</td> <td style="text-align: center;">If MADCTL's B5 = 0: EP [15:0]=013Fh</td> </tr> <tr> <td style="text-align: center;">If MADCTL's B5 = 1: EP [15:0]=00EFh</td> </tr> </tbody> </table>													Status	SP [15:0]	Default Value	Power On Sequence	SP [15:0]=0000h	EP [15:0]=013Fh	SW Reset	SP [15:0]=0000h	If MADCTL's B5 = 0: EP [15:0]=013Fh	If MADCTL's B5 = 1: EP [15:0]=00EFh		
Status	SP [15:0]	Default Value																							
Power On Sequence	SP [15:0]=0000h	EP [15:0]=013Fh																							
SW Reset	SP [15:0]=0000h	If MADCTL's B5 = 0: EP [15:0]=013Fh																							
		If MADCTL's B5 = 1: EP [15:0]=00EFh																							



6.2.13. Memory Write (2Ch)

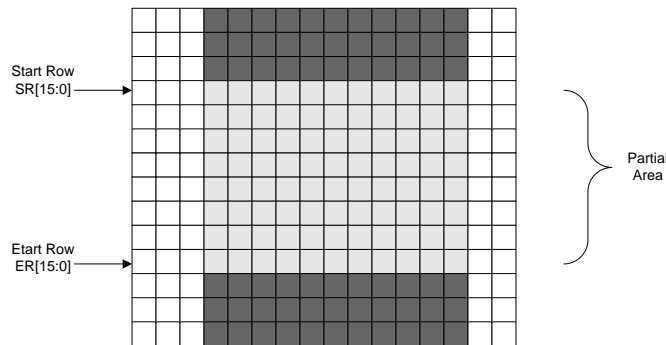
2Ch	Memory Write																								
	D/CX	RDX	WRX	D17-8	D7	D6	D5	D4	D3	D2	D1	D0	HEX												
Command	0	1	↑	XX	0	0	1	0	1	1	0	0	2Ch												
1 st Parameter	1	1	↑	D1 [17:0]									XX												
:	1	1	↑	Dx [17:0]									XX												
N th Parameter	1	1	↑	Dn [17:0]									XX												
Description	<p>This command is used to transfer data from MCU to frame memory. This command makes no change to the other driver status. When this command is accepted, the column register and the page register are reset to the Start Column/Start Page positions. The Start Column/Start Page positions are different in accordance with MADCTL setting.) Then D [17:0] is stored in frame memory and the column register and the page register incremented. Sending any other command can stop frame Write. X = Don't care.</p>																								
Restriction	In all color modes, there is no restriction on length of parameters.																								
Register Availability	<table border="1"> <thead> <tr> <th>Status</th> <th>Availability</th> </tr> </thead> <tbody> <tr> <td>Normal Mode On, Idle Mode Off, Sleep Out</td> <td>Yes</td> </tr> <tr> <td>Normal Mode On, Idle Mode On, Sleep Out</td> <td>Yes</td> </tr> <tr> <td>Partial Mode On, Idle Mode Off, Sleep Out</td> <td>Yes</td> </tr> <tr> <td>Partial Mode On, Idle Mode On, Sleep Out</td> <td>Yes</td> </tr> <tr> <td>Sleep In</td> <td>Yes</td> </tr> </tbody> </table>													Status	Availability	Normal Mode On, Idle Mode Off, Sleep Out	Yes	Normal Mode On, Idle Mode On, Sleep Out	Yes	Partial Mode On, Idle Mode Off, Sleep Out	Yes	Partial Mode On, Idle Mode On, Sleep Out	Yes	Sleep In	Yes
Status	Availability																								
Normal Mode On, Idle Mode Off, Sleep Out	Yes																								
Normal Mode On, Idle Mode On, Sleep Out	Yes																								
Partial Mode On, Idle Mode Off, Sleep Out	Yes																								
Partial Mode On, Idle Mode On, Sleep Out	Yes																								
Sleep In	Yes																								
Default	<table border="1"> <thead> <tr> <th>Status</th> <th>Default Value</th> </tr> </thead> <tbody> <tr> <td>Power On Sequence</td> <td>Contents of memory is set randomly</td> </tr> <tr> <td>SW Reset</td> <td>Contents of memory is not cleared</td> </tr> <tr> <td>HW Reset</td> <td>Contents of memory is not cleared</td> </tr> </tbody> </table>													Status	Default Value	Power On Sequence	Contents of memory is set randomly	SW Reset	Contents of memory is not cleared	HW Reset	Contents of memory is not cleared				
Status	Default Value																								
Power On Sequence	Contents of memory is set randomly																								
SW Reset	Contents of memory is not cleared																								
HW Reset	Contents of memory is not cleared																								
Flow Chart	<pre> graph TD CASET[CASET(2Ah)] --> P1[1st Parameter: SC[15:8] 2nd Parameter: SC[7:0] 3rd Parameter: EC[15:8] 4th Parameter: EC[7:0]] P1 --> PASET[PASET(2Bh)] PASET --> P2[1st Parameter: SP[15:8] 2nd Parameter: SP[7:0] 3rd Parameter: EP[15:8] 4th Parameter: EP[7:0]] P2 --> RAMWR[RAMWR(2Ch)] RAMWR --> ImageData([Image Data D1[17:0], D2[17:0], ..., Dn[17:0]]) ImageData --> AnyCommand[Any Command] </pre>																								

6.2.14. Partial Area (30h)

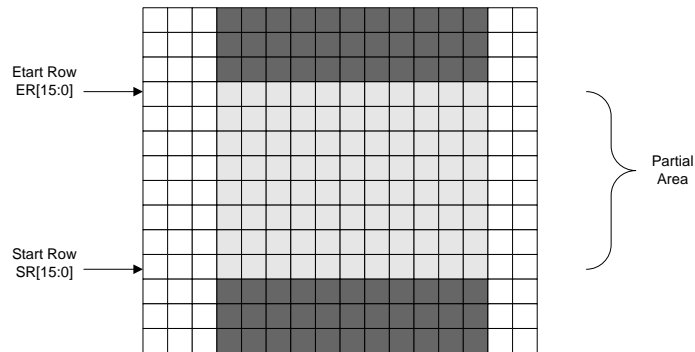
30h	Partial Area												
	D/CX	RDX	WRX	D17-8	D7	D6	D5	D4	D3	D2	D1	D0	HEX
Command	0	1	↑	XX	0	0	1	1	0	0	0	0	30h
1 st Parameter	1	1	↑	XX	SR15	SR14	SR13	SR12	SR11	SR10	SR9	SR8	00
2 nd Parameter	1	1	↑	XX	SR7	SR6	SR5	SR4	SR3	SR2	SR1	SR0	00
3 rd Parameter	1	1	↑	XX	ER15	ER14	ER13	ER12	ER11	ER10	ER9	ER8	01
4 th Parameter	1	1	↑	XX	ER7	ER6	ER5	ER4	ER3	ER2	ER1	ER0	3F

This command defines the partial mode's display area. There are 2 parameters associated with this command, the first defines the Start Row (SR) and the second the End Row (ER), as illustrated in the figures below. SR and ER refer to the Frame Memory Line Pointer.

If End Row > Start Row when MADCTL B4=0:-

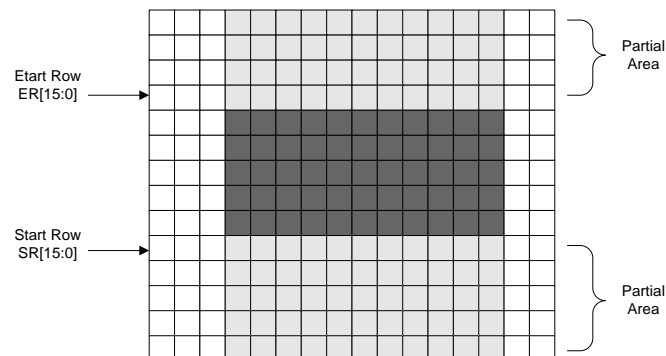


If End Row > Start Row when MADCTL B4=1:-



Description

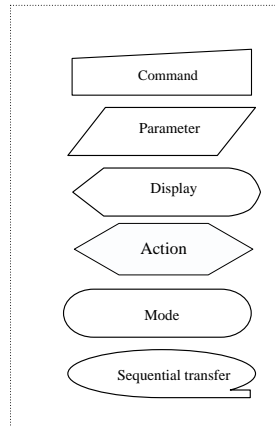
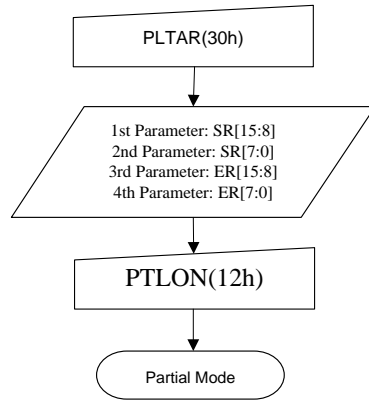
If End Row < Start Row when MADCTL B4=0:-



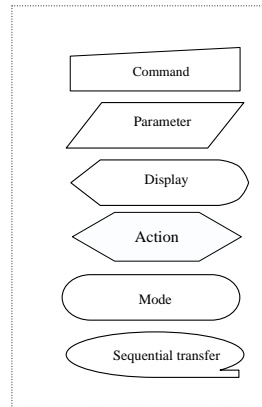
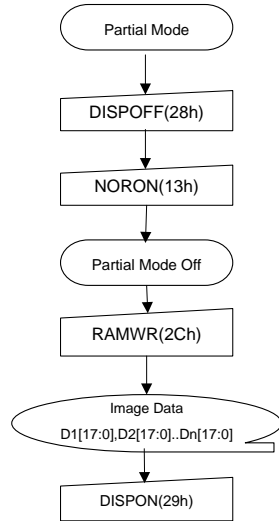
	If End Row = Start Row then the Partial Area will be one row deep. X = Don't care.															
Restriction	SR [15...0] and ER [15...0] cannot be 0000h nor exceed 013Fh.															
Register Availability	<table border="1"> <thead> <tr> <th>Status</th> <th>Availability</th> </tr> </thead> <tbody> <tr> <td>Normal Mode On, Idle Mode Off, Sleep Out</td> <td>Yes</td> </tr> <tr> <td>Normal Mode On, Idle Mode On, Sleep Out</td> <td>Yes</td> </tr> <tr> <td>Partial Mode On, Idle Mode Off, Sleep Out</td> <td>Yes</td> </tr> <tr> <td>Partial Mode On, Idle Mode On, Sleep Out</td> <td>Yes</td> </tr> <tr> <td>Sleep In</td> <td>Yes</td> </tr> </tbody> </table>		Status	Availability	Normal Mode On, Idle Mode Off, Sleep Out	Yes	Normal Mode On, Idle Mode On, Sleep Out	Yes	Partial Mode On, Idle Mode Off, Sleep Out	Yes	Partial Mode On, Idle Mode On, Sleep Out	Yes	Sleep In	Yes		
Status	Availability															
Normal Mode On, Idle Mode Off, Sleep Out	Yes															
Normal Mode On, Idle Mode On, Sleep Out	Yes															
Partial Mode On, Idle Mode Off, Sleep Out	Yes															
Partial Mode On, Idle Mode On, Sleep Out	Yes															
Sleep In	Yes															
Default	<table border="1"> <thead> <tr> <th rowspan="2">Status</th> <th colspan="2">Default Value</th> </tr> <tr> <th>SR [15:0]</th> <th>ER [15:0]</th> </tr> </thead> <tbody> <tr> <td>Power On Sequence</td> <td>16'h0000h</td> <td>16'h013Fh</td> </tr> <tr> <td>SW Reset</td> <td>16'h0000h</td> <td>16'h013Fh</td> </tr> <tr> <td>HW Reset</td> <td>16'h0000h</td> <td>16'h013Fh</td> </tr> </tbody> </table>		Status	Default Value		SR [15:0]	ER [15:0]	Power On Sequence	16'h0000h	16'h013Fh	SW Reset	16'h0000h	16'h013Fh	HW Reset	16'h0000h	16'h013Fh
Status	Default Value															
	SR [15:0]	ER [15:0]														
Power On Sequence	16'h0000h	16'h013Fh														
SW Reset	16'h0000h	16'h013Fh														
HW Reset	16'h0000h	16'h013Fh														

Flow Chart


1. To Enter Partial Mode

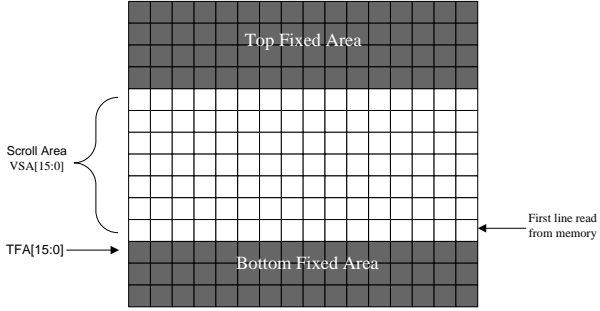


2. To Leave Partial Mode



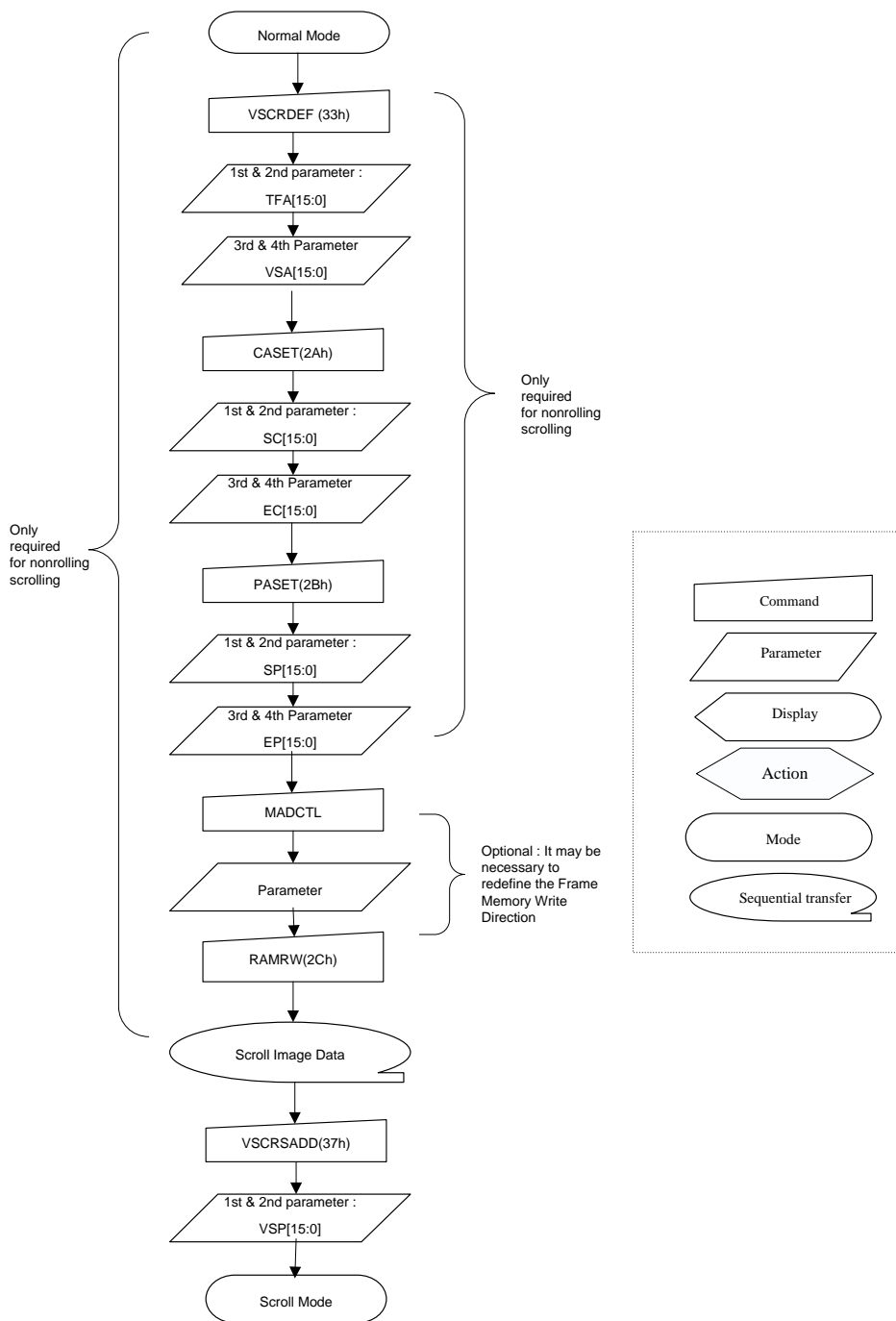
6.2.15. Vertical Scrolling Definition (33h)

33h	Vertical Scrolling Definition												
	D/CX	RDX	WRX	D17-8	D7	D6	D5	D4	D3	D2	D1	D0	HEX
Command	0	1	↑	XX	0	0	1	1	0	0	1	1	33h
1 st Parameter	1	1	↑	XX	TFA [15:8]							00	
2 nd Parameter	1	1	↑	XX	TFA [7:0]							00	
3 rd Parameter	1	1	↑	XX	VSA [15:8]							01	
4 th Parameter	1	1	↑	XX	VSA [7:0]							40	
Description	<p>This command defines the Vertical Scrolling Area of the display.</p> <p>When MADCTL B4=0</p> <p>The 1st & 2nd parameter TFA [15...0] describes the Top Fixed Area (in No. of lines from Top of the Frame Memory and Display).</p> <p>The 3rd & 4th parameter VSA [15...0] describes the height of the Vertical Scrolling Area (in No. of lines of the Frame Memory [not the display] from the Vertical Scrolling Start Address). The first line read from Frame Memory appears immediately after the bottom most line of the Top Fixed Area.</p> 												
	<p>When MADCTL B4=1</p> <p>The 1st & 2nd parameter TFA [15...0] describes the Top Fixed Area (in No. of lines from Bottom of the Frame Memory and Display).</p> <p>The 3rd & 4th parameter VSA [15...0] describes the height of the Vertical Scrolling Area (in No. of lines of the Frame Memory [not the display] from the Vertical Scrolling Start Address). The first line read from Frame Memory appears immediately after the top most line of the Top Fixed Area.</p>												

	 <p>X = Don't care.</p>														
Restriction															
Register Availability	<table border="1" data-bbox="408 658 1278 913"> <thead> <tr> <th>Status</th> <th>Availability</th> </tr> </thead> <tbody> <tr> <td>Normal Mode On, Idle Mode Off, Sleep Out</td> <td>Yes</td> </tr> <tr> <td>Normal Mode On, Idle Mode On, Sleep Out</td> <td>Yes</td> </tr> <tr> <td>Partial Mode On, Idle Mode Off, Sleep Out</td> <td>Yes</td> </tr> <tr> <td>Partial Mode On, Idle Mode On, Sleep Out</td> <td>Yes</td> </tr> <tr> <td>Sleep In</td> <td>Yes</td> </tr> </tbody> </table>	Status	Availability	Normal Mode On, Idle Mode Off, Sleep Out	Yes	Normal Mode On, Idle Mode On, Sleep Out	Yes	Partial Mode On, Idle Mode Off, Sleep Out	Yes	Partial Mode On, Idle Mode On, Sleep Out	Yes	Sleep In	Yes		
Status	Availability														
Normal Mode On, Idle Mode Off, Sleep Out	Yes														
Normal Mode On, Idle Mode On, Sleep Out	Yes														
Partial Mode On, Idle Mode Off, Sleep Out	Yes														
Partial Mode On, Idle Mode On, Sleep Out	Yes														
Sleep In	Yes														
Default	<table border="1" data-bbox="531 976 1158 1189"> <thead> <tr> <th rowspan="2">Status</th> <th colspan="2">Default Value</th> </tr> <tr> <th>TFA [15:0]</th> <th>VSA [15:0]</th> </tr> </thead> <tbody> <tr> <td>Power On Sequence</td> <td>16'h0000h</td> <td>16'h0140h</td> </tr> <tr> <td>SW Reset</td> <td>16'h0000h</td> <td>16'h0140h</td> </tr> <tr> <td>HW Reset</td> <td>16'h0000h</td> <td>16'h0140h</td> </tr> </tbody> </table>	Status	Default Value		TFA [15:0]	VSA [15:0]	Power On Sequence	16'h0000h	16'h0140h	SW Reset	16'h0000h	16'h0140h	HW Reset	16'h0000h	16'h0140h
Status	Default Value														
	TFA [15:0]	VSA [15:0]													
Power On Sequence	16'h0000h	16'h0140h													
SW Reset	16'h0000h	16'h0140h													
HW Reset	16'h0000h	16'h0140h													

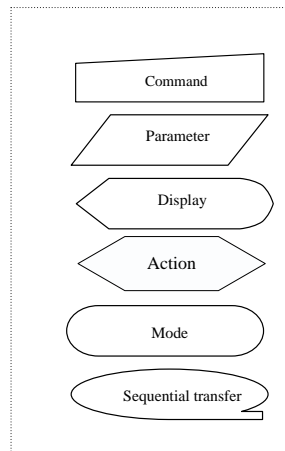
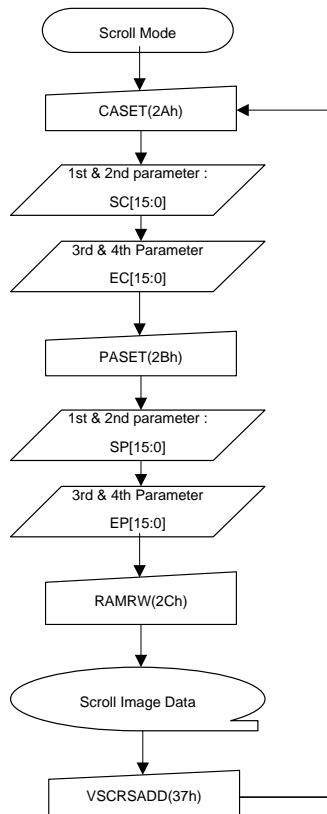
Flow
Chart

1. To enter Vertical Scroll Mode :

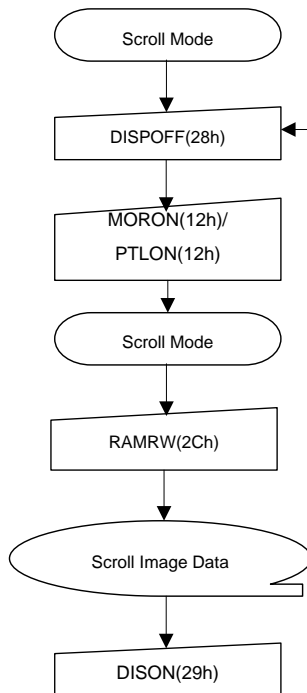


Note : The Frame Memory Window size ,must be defined correctly otherwise undesirable image will be displayed.

2. Continuous Scroll :



3.To Leave Vertical Scroll Mode:



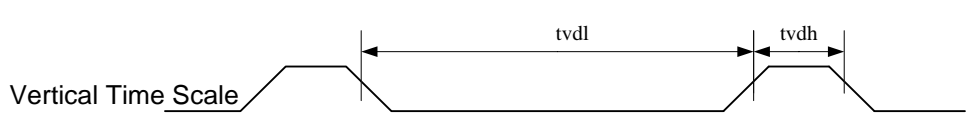

(Optional)
To prevent Tearing Effect Image Display

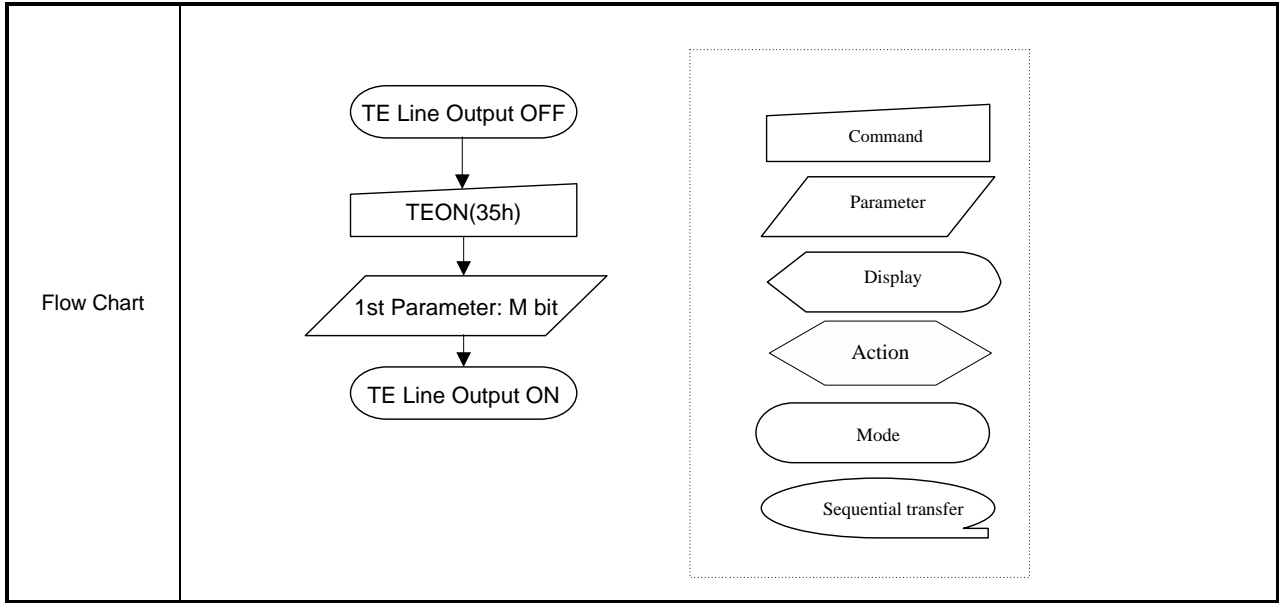
Note: Scroll Mode can be left by both the Normal Display Mode ON (13h) and Partial Mode ON (12h) commands.

6.2.16. Tearing Effect Line OFF (34h)

34h	Tearing Effect Line OFF																								
	D/CX	RDX	WRX	D17-8	D7	D6	D5	D4	D3	D2	D1	D0	HEX												
Command	0	1	↑	XX	0	0	1	1	0	1	0	0	34h												
Parameter	No Parameter																								
Description	This command is used to turn OFF (Active Low) the Tearing Effect output signal from the TE signal line. X = Don't care.																								
Restriction	This command has no effect when Tearing Effect output is already OFF.																								
Register Availability	<table border="1"> <thead> <tr> <th>Status</th> <th>Availability</th> </tr> </thead> <tbody> <tr> <td>Normal Mode On, Idle Mode Off, Sleep Out</td> <td>Yes</td> </tr> <tr> <td>Normal Mode On, Idle Mode On, Sleep Out</td> <td>Yes</td> </tr> <tr> <td>Partial Mode On, Idle Mode Off, Sleep Out</td> <td>Yes</td> </tr> <tr> <td>Partial Mode On, Idle Mode On, Sleep Out</td> <td>Yes</td> </tr> <tr> <td>Sleep In</td> <td>Yes</td> </tr> </tbody> </table>													Status	Availability	Normal Mode On, Idle Mode Off, Sleep Out	Yes	Normal Mode On, Idle Mode On, Sleep Out	Yes	Partial Mode On, Idle Mode Off, Sleep Out	Yes	Partial Mode On, Idle Mode On, Sleep Out	Yes	Sleep In	Yes
Status	Availability																								
Normal Mode On, Idle Mode Off, Sleep Out	Yes																								
Normal Mode On, Idle Mode On, Sleep Out	Yes																								
Partial Mode On, Idle Mode Off, Sleep Out	Yes																								
Partial Mode On, Idle Mode On, Sleep Out	Yes																								
Sleep In	Yes																								
Default	<table border="1"> <thead> <tr> <th>Status</th> <th>Default Value</th> </tr> </thead> <tbody> <tr> <td>Power On Sequence</td> <td>OFF</td> </tr> <tr> <td>SW Reset</td> <td>OFF</td> </tr> <tr> <td>HW Reset</td> <td>OFF</td> </tr> </tbody> </table>													Status	Default Value	Power On Sequence	OFF	SW Reset	OFF	HW Reset	OFF				
Status	Default Value																								
Power On Sequence	OFF																								
SW Reset	OFF																								
HW Reset	OFF																								
Flow Chart	<pre> graph TD A([TE Line Output ON]) --> B[TEOFF(34h)] B --> C([TE Line Output OFF]) </pre> <p>Legend:</p> <ul style="list-style-type: none"> Command: Rectangle Parameter: Trapezoid Display: Hexagon Action: Pentagon Mode: Oval Sequential transfer: Oval with arrow 																								

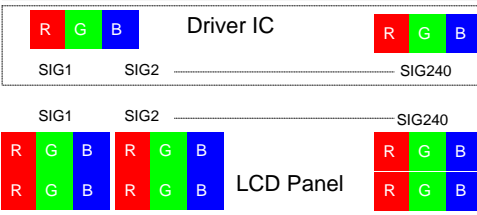
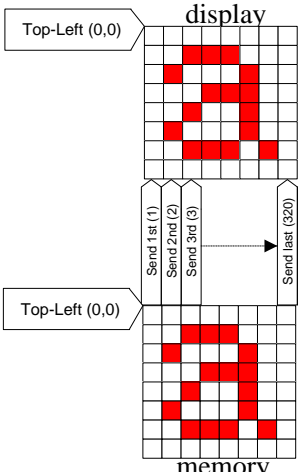
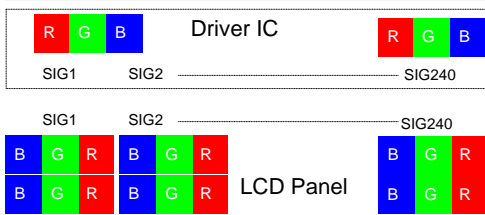
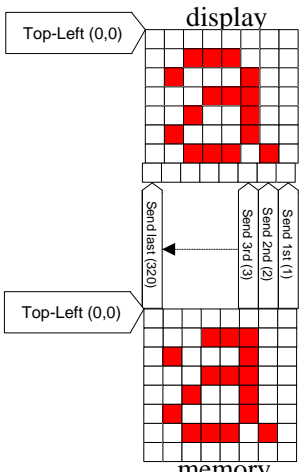
6.2.17. Tearing Effect Line ON (35h)

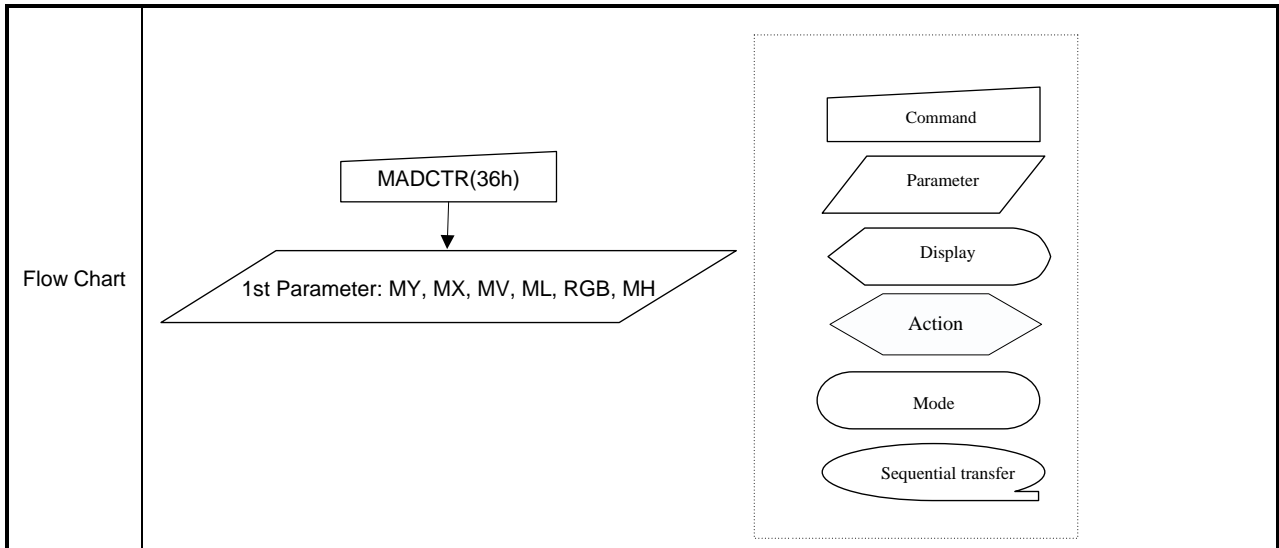
35h	Tearing Effect Line ON																								
	D/CX	RDX	WRX	D17-8	D7	D6	D5	D4	D3	D2	D1	D0	HEX												
Command	0	1	↑	XX	0	0	1	1	0	1	0	1	35h												
Parameter	1	1	↑	XX	0	0	0	0	0	0	0	M	00												
Description	<p>This command is used to turn ON the Tearing Effect output signal from the TE signal line. This output is not affected by changing MADCTL bit B4. The Tearing Effect Line On has one parameter which describes the mode of the Tearing Effect Output Line.</p> <p>When M=0: The Tearing Effect Output line consists of V-Blanking information only:</p>  <p>When M=1: The Tearing Effect Output Line consists of both V-Blanking and H-Blanking information:</p>  <p>Note: During Sleep In Mode with Tearing Effect Line On, Tearing Effect Output pin will be active Low. X = Don't care.</p>																								
Restriction	This command has no effect when Tearing Effect output is already ON																								
Register Availability	<table border="1"> <thead> <tr> <th>Status</th> <th>Availability</th> </tr> </thead> <tbody> <tr> <td>Normal Mode On, Idle Mode Off, Sleep Out</td> <td>Yes</td> </tr> <tr> <td>Normal Mode On, Idle Mode On, Sleep Out</td> <td>Yes</td> </tr> <tr> <td>Partial Mode On, Idle Mode Off, Sleep Out</td> <td>Yes</td> </tr> <tr> <td>Partial Mode On, Idle Mode On, Sleep Out</td> <td>Yes</td> </tr> <tr> <td>Sleep In</td> <td>Yes</td> </tr> </tbody> </table>													Status	Availability	Normal Mode On, Idle Mode Off, Sleep Out	Yes	Normal Mode On, Idle Mode On, Sleep Out	Yes	Partial Mode On, Idle Mode Off, Sleep Out	Yes	Partial Mode On, Idle Mode On, Sleep Out	Yes	Sleep In	Yes
Status	Availability																								
Normal Mode On, Idle Mode Off, Sleep Out	Yes																								
Normal Mode On, Idle Mode On, Sleep Out	Yes																								
Partial Mode On, Idle Mode Off, Sleep Out	Yes																								
Partial Mode On, Idle Mode On, Sleep Out	Yes																								
Sleep In	Yes																								
Default	<table border="1"> <thead> <tr> <th>Status</th> <th>Default Value</th> </tr> </thead> <tbody> <tr> <td>Power On Sequence</td> <td>OFF</td> </tr> <tr> <td>SW Reset</td> <td>OFF</td> </tr> <tr> <td>HW Reset</td> <td>OFF</td> </tr> </tbody> </table>													Status	Default Value	Power On Sequence	OFF	SW Reset	OFF	HW Reset	OFF				
Status	Default Value																								
Power On Sequence	OFF																								
SW Reset	OFF																								
HW Reset	OFF																								



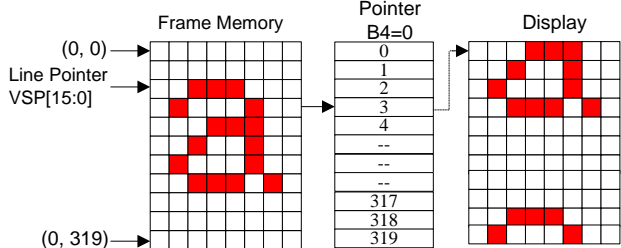
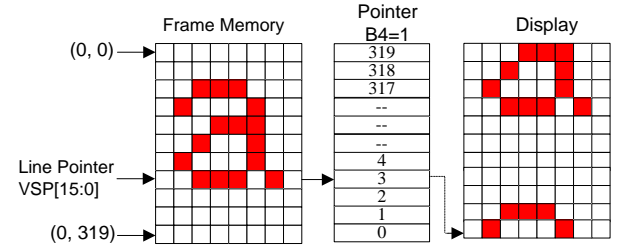
6.2.18. Memory Access Control(36h)

36h	Tearing Effect Line ON												HEX																			
Command	D/CX	RDX	WRX	D17-8	D7	D6	D5	D4	D3	D2	D1	D0	36h																			
Parameter	0	1	↑	XX	0	0	1	1	0	1	1	0	00																			
Parameter	1	1	↑	XX	MY	MX	MV	ML	BGR	MH	0	0	00																			
Description	This command defines read/write scanning direction of frame memory.																															
	This command makes no change on the other driver status.																															
	<table border="1"> <thead> <tr> <th>Bit</th> <th>Name</th> <th>Description</th> </tr> </thead> <tbody> <tr> <td>MY</td> <td>Row Address Order</td> <td rowspan="3">These 3 bits control MCU to memory write/read direction.</td> </tr> <tr> <td>MX</td> <td>Column Address Order</td> </tr> <tr> <td>MV</td> <td>Row / Column Exchange</td> </tr> <tr> <td>ML</td> <td>Vertical Refresh Order</td> <td>LCD vertical refresh direction control.</td> </tr> <tr> <td>BGR</td> <td>RGB-BGR Order</td> <td>Color selector switch control (0=RGB color filter panel, 1=BGR color filter panel)</td> </tr> <tr> <td>MH</td> <td>Horizontal Refresh ORDER</td> <td>LCD horizontal refreshing direction control.</td> </tr> </tbody> </table>													Bit	Name	Description	MY	Row Address Order	These 3 bits control MCU to memory write/read direction.	MX	Column Address Order	MV	Row / Column Exchange	ML	Vertical Refresh Order	LCD vertical refresh direction control.	BGR	RGB-BGR Order	Color selector switch control (0=RGB color filter panel, 1=BGR color filter panel)	MH	Horizontal Refresh ORDER	LCD horizontal refreshing direction control.
	Bit	Name	Description																													
	MY	Row Address Order	These 3 bits control MCU to memory write/read direction.																													
	MX	Column Address Order																														
	MV	Row / Column Exchange																														
	ML	Vertical Refresh Order	LCD vertical refresh direction control.																													
	BGR	RGB-BGR Order	Color selector switch control (0=RGB color filter panel, 1=BGR color filter panel)																													
	MH	Horizontal Refresh ORDER	LCD horizontal refreshing direction control.																													
<p>Note: When BGR bit is changed, the new setting is active immediately without update the content in Frame Memory again.</p> <p>X = Don't care.</p>																																
<div style="display: flex; justify-content: space-around;"> <div style="text-align: center;"> <p>MV(Row / Column Exchange bit)="0"</p> </div> <div style="text-align: center;"> <p>MV(Row / Column Exchange bit)="1"</p> </div> </div>																																
<div style="display: flex; justify-content: space-around;"> <div style="text-align: center;"> <p>MV(Vertical refresh order bit)="0"</p> </div> <div style="text-align: center;"> <p>MV(Vertical refresh order bit)="1"</p> </div> </div>																																

	<p style="text-align: center;">BGR(RGB-BGR Order control bit) = "0"</p>  <p style="text-align: center;">MH(Horizontal refresh order control bit) = "0"</p> 	<p style="text-align: center;">BGR(RGB-BGR Order control bit) = "1"</p>  <p style="text-align: center;">MH(Horizontal refresh order control bit) = "1"</p> 												
Restriction	This command has no effect when Tearing Effect output is already ON													
Register Availability	<table border="1" style="width: 100%; text-align: center;"> <thead> <tr> <th>Status</th> <th>Availability</th> </tr> </thead> <tbody> <tr> <td>Normal Mode On, Idle Mode Off, Sleep Out</td> <td>Yes</td> </tr> <tr> <td>Normal Mode On, Idle Mode On, Sleep Out</td> <td>Yes</td> </tr> <tr> <td>Partial Mode On, Idle Mode Off, Sleep Out</td> <td>Yes</td> </tr> <tr> <td>Partial Mode On, Idle Mode On, Sleep Out</td> <td>Yes</td> </tr> <tr> <td>Sleep In</td> <td>Yes</td> </tr> </tbody> </table>		Status	Availability	Normal Mode On, Idle Mode Off, Sleep Out	Yes	Normal Mode On, Idle Mode On, Sleep Out	Yes	Partial Mode On, Idle Mode Off, Sleep Out	Yes	Partial Mode On, Idle Mode On, Sleep Out	Yes	Sleep In	Yes
Status	Availability													
Normal Mode On, Idle Mode Off, Sleep Out	Yes													
Normal Mode On, Idle Mode On, Sleep Out	Yes													
Partial Mode On, Idle Mode Off, Sleep Out	Yes													
Partial Mode On, Idle Mode On, Sleep Out	Yes													
Sleep In	Yes													
Default	<table border="1" style="width: 100%; text-align: center;"> <thead> <tr> <th>Status</th> <th>Default Value</th> </tr> </thead> <tbody> <tr> <td>Power On Sequence</td> <td>8'h00h</td> </tr> <tr> <td>SW Reset</td> <td>No change</td> </tr> <tr> <td>HW Reset</td> <td>8'h00h</td> </tr> </tbody> </table>		Status	Default Value	Power On Sequence	8'h00h	SW Reset	No change	HW Reset	8'h00h				
Status	Default Value													
Power On Sequence	8'h00h													
SW Reset	No change													
HW Reset	8'h00h													



6.2.19. Vertical Scrolling Start Address (37h)

37h	VSCRSADD (Vertical Scrolling Start Address)												HEX
	D/CX	RDX	WRX	D17-8	D7	D6	D5	D4	D3	D2	D1	D0	
Command	0	1	↑	XX	0	0	1	1	0	1	1	1	37h
1 st Parameter	1	1	↑	XX	VSP [15:8]							00	
2 nd Parameter	1	1	↑	XX	VSP [7:0]							00	
Description	<p>This command is used together with Vertical Scrolling Definition (33h). These two commands describe the scrolling area and the scrolling mode. The Vertical Scrolling Start Address command has one parameter which describes the address of the line in the Frame Memory that will be written as the first line after the last line of the Top Fixed Area on the display as illustrated below:-</p> <p>When MADCTL B4=0</p> <p>Example: When Top Fixed Area = Bottom Fixed Area = 00, Vertical Scrolling Area = 320 and VSP='3'.</p>  <p>When MADCTL B4=1</p> <p>Example: When Top Fixed Area = Bottom Fixed Area = 00, Vertical Scrolling Area = 320 and VSP='3'.</p>  <p><i>Note: (1) When new Pointer position and Picture Data are sent, the result on the display will happen at the next Panel Scan to avoid tearing effect. VSP refers to the Frame Memory line Pointer.</i></p> <p><i>(2) This command is ignored when the GC9307 enters Partial mode.</i></p> <p>X = Don't care</p>												
Restriction	This command has no effect when Tearing Effect output is already ON												

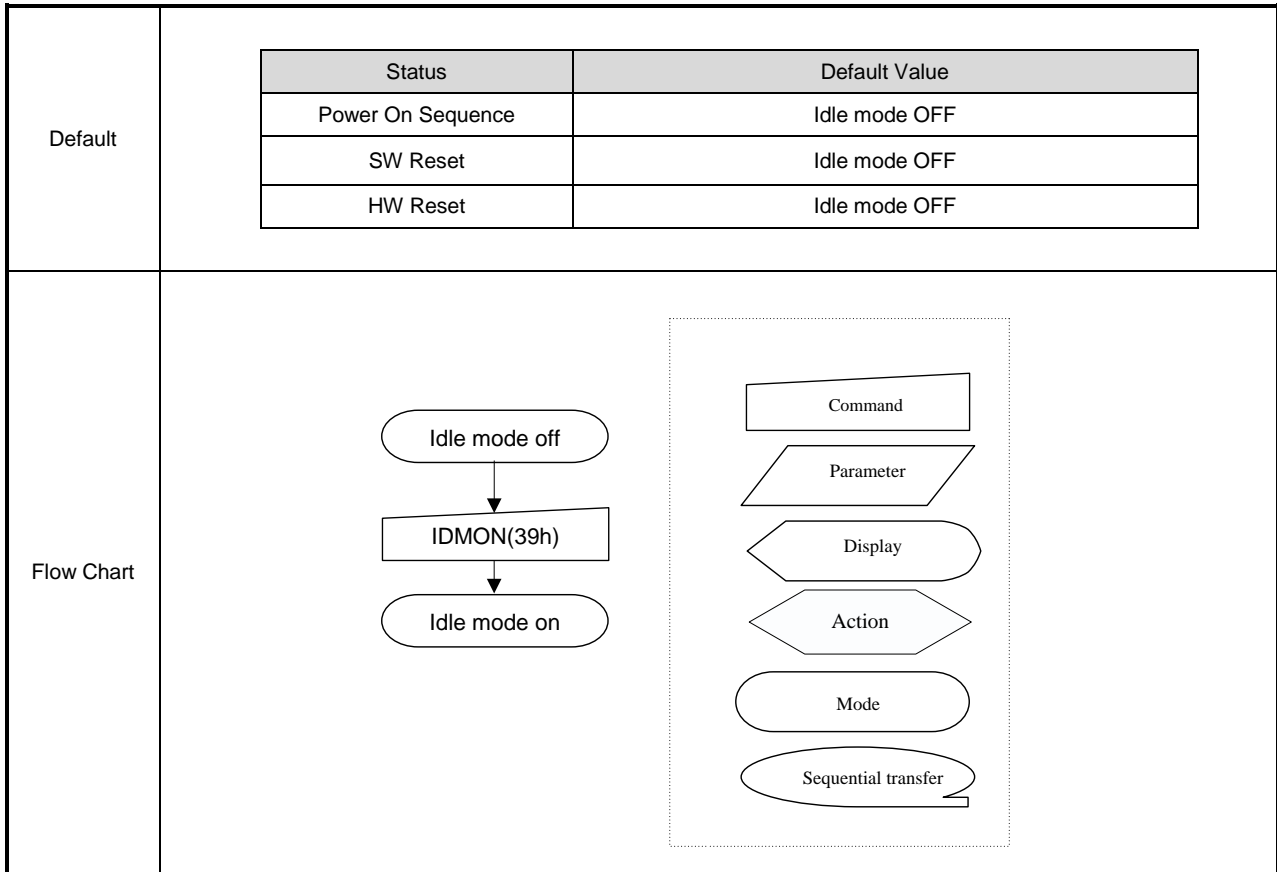
Register Availability	<table border="1"> <thead> <tr> <th data-bbox="416 280 1018 322">Status</th> <th data-bbox="1019 280 1358 322">Availability</th> </tr> </thead> <tbody> <tr> <td data-bbox="416 324 1018 367">Normal Mode On, Idle Mode Off, Sleep Out</td> <td data-bbox="1019 324 1358 367">Yes</td> </tr> <tr> <td data-bbox="416 369 1018 412">Normal Mode On, Idle Mode On, Sleep Out</td> <td data-bbox="1019 369 1358 412">Yes</td> </tr> <tr> <td data-bbox="416 414 1018 456">Partial Mode On, Idle Mode Off, Sleep Out</td> <td data-bbox="1019 414 1358 456">No</td> </tr> <tr> <td data-bbox="416 459 1018 501">Partial Mode On, Idle Mode On, Sleep Out</td> <td data-bbox="1019 459 1358 501">No</td> </tr> <tr> <td data-bbox="416 504 1018 546">Sleep In</td> <td data-bbox="1019 504 1358 546">Yes</td> </tr> </tbody> </table>	Status	Availability	Normal Mode On, Idle Mode Off, Sleep Out	Yes	Normal Mode On, Idle Mode On, Sleep Out	Yes	Partial Mode On, Idle Mode Off, Sleep Out	No	Partial Mode On, Idle Mode On, Sleep Out	No	Sleep In	Yes
Status	Availability												
Normal Mode On, Idle Mode Off, Sleep Out	Yes												
Normal Mode On, Idle Mode On, Sleep Out	Yes												
Partial Mode On, Idle Mode Off, Sleep Out	No												
Partial Mode On, Idle Mode On, Sleep Out	No												
Sleep In	Yes												
Default	<table border="1"> <thead> <tr> <th data-bbox="421 622 734 665">Status</th> <th data-bbox="735 622 1362 665">Default Value</th> </tr> <tr> <td data-bbox="421 667 734 710"></td> <td data-bbox="735 667 1362 710">VSP [15:0]</td> </tr> </thead> <tbody> <tr> <td data-bbox="421 712 734 754">Power On Sequence</td> <td data-bbox="735 712 1362 754">16'h0000h</td> </tr> <tr> <td data-bbox="421 757 734 799">SW Reset</td> <td data-bbox="735 757 1362 799">16'h0000h</td> </tr> <tr> <td data-bbox="421 801 734 844">HW Reset</td> <td data-bbox="735 801 1362 844">16'h0000h</td> </tr> </tbody> </table>	Status	Default Value		VSP [15:0]	Power On Sequence	16'h0000h	SW Reset	16'h0000h	HW Reset	16'h0000h		
Status	Default Value												
	VSP [15:0]												
Power On Sequence	16'h0000h												
SW Reset	16'h0000h												
HW Reset	16'h0000h												
Flow Chart	See Vertical Scrolling Definition (33h) description.												

6.2.20. Idle Mode OFF (38h)

38h	Idle Mode OFF																								
	D/CX	RDX	WRX	D17-8	D7	D6	D5	D4	D3	D2	D1	D0	HEX												
Command	0	1	↑	XX	0	0	1	1	1	0	0	0	38h												
Parameter	No Parameter																								
Description	<p>This command is used to recover from Idle mode on.</p> <p>In the idle off mode, LCD can display maximum 262,144 colors.</p> <p>X = Don't care.</p>																								
Restriction	This command has no effect when module is already in idle off mode.																								
Register Availability	<table border="1"> <thead> <tr> <th>Status</th> <th>Availability</th> </tr> </thead> <tbody> <tr> <td>Normal Mode On, Idle Mode Off, Sleep Out</td> <td>Yes</td> </tr> <tr> <td>Normal Mode On, Idle Mode On, Sleep Out</td> <td>Yes</td> </tr> <tr> <td>Partial Mode On, Idle Mode Off, Sleep Out</td> <td>Yes</td> </tr> <tr> <td>Partial Mode On, Idle Mode On, Sleep Out</td> <td>Yes</td> </tr> <tr> <td>Sleep In</td> <td>Yes</td> </tr> </tbody> </table>													Status	Availability	Normal Mode On, Idle Mode Off, Sleep Out	Yes	Normal Mode On, Idle Mode On, Sleep Out	Yes	Partial Mode On, Idle Mode Off, Sleep Out	Yes	Partial Mode On, Idle Mode On, Sleep Out	Yes	Sleep In	Yes
Status	Availability																								
Normal Mode On, Idle Mode Off, Sleep Out	Yes																								
Normal Mode On, Idle Mode On, Sleep Out	Yes																								
Partial Mode On, Idle Mode Off, Sleep Out	Yes																								
Partial Mode On, Idle Mode On, Sleep Out	Yes																								
Sleep In	Yes																								
Default	<table border="1"> <thead> <tr> <th>Status</th> <th>Default Value</th> </tr> </thead> <tbody> <tr> <td>Power On Sequence</td> <td>Idle mode OFF</td> </tr> <tr> <td>SW Reset</td> <td>Idle mode OFF</td> </tr> <tr> <td>HW Reset</td> <td>Idle mode OFF</td> </tr> </tbody> </table>													Status	Default Value	Power On Sequence	Idle mode OFF	SW Reset	Idle mode OFF	HW Reset	Idle mode OFF				
Status	Default Value																								
Power On Sequence	Idle mode OFF																								
SW Reset	Idle mode OFF																								
HW Reset	Idle mode OFF																								
Flow Chart	<pre> graph TD A([Idle mode on]) --> B[IDMOFF(38h)] B --> C([Idle mode off]) </pre> <p>Legend:</p> <ul style="list-style-type: none"> Command: Rectangle Parameter: Parallelogram Display: Hexagon Action: Pentagon Mode: Rounded rectangle Sequential transfer: Oval with arrow 																								

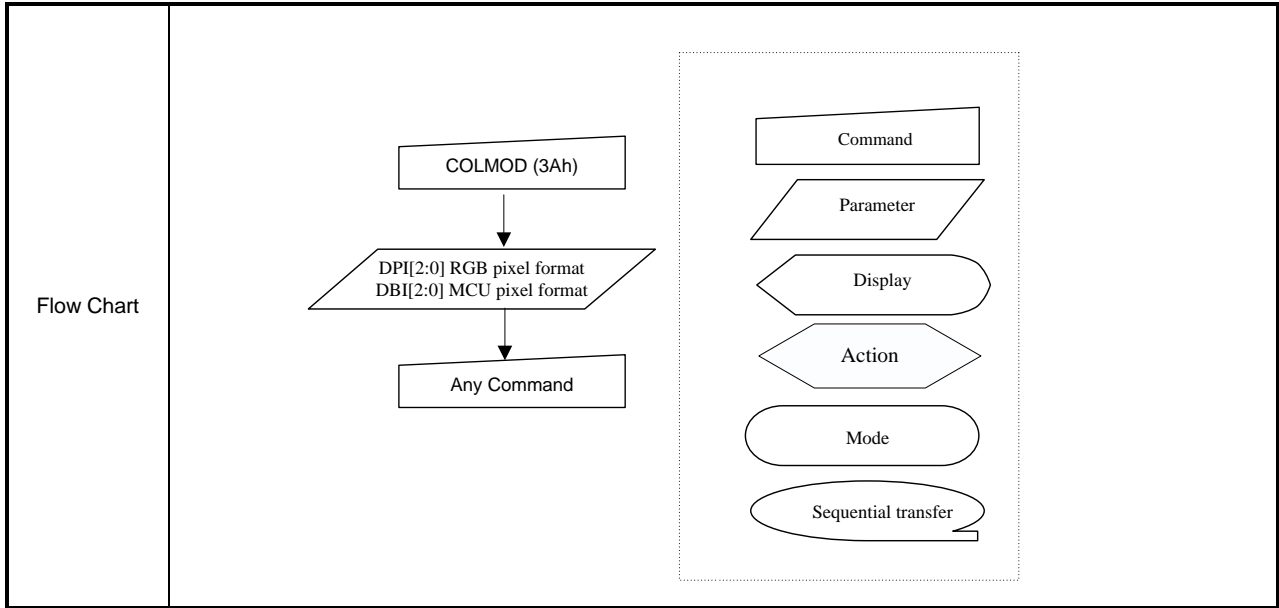
6.2.21. Idle Mode ON (39h)

39h	Idle Mode ON																																																																
	D/CX	RDX	WRX	D17-8	D7	D6	D5	D4	D3	D2	D1	D0	HEX																																																				
Command	0	1	↑	XX	0	0	1	1	1	0	0	1	39h																																																				
Parameter	No Parameter																																																																
Description	<p>This command is used to enter into Idle mode on.</p> <p>In the idle on mode, color expression is reduced. The primary and the secondary colors using MSB of each R, G and B in the Frame Memory, 8 color depth data is displayed.</p>																																																																
	<div style="display: flex; justify-content: space-around; align-items: center;"> <div style="text-align: center;"> <p>Memory</p> </div> <div style="font-size: 2em; margin: 0 20px;">→</div> <div style="text-align: center;"> <p>Panel Display</p> </div> </div> <table border="1" style="margin-top: 10px; width: 100%; border-collapse: collapse;"> <thead> <tr> <th></th> <th colspan="12">Memory Contents vs. Display Color</th> </tr> <tr> <th></th> <th>R5 R4 R3 R2 R1</th> <th>G5 G4 G3 G2 G1</th> <th>B5 B4 B3 B2 B1</th> </tr> <tr> <th></th> <th>R0</th> <th>G0</th> <th>B0</th> </tr> </thead> <tbody> <tr> <td>Black</td> <td>0XXXXX</td> <td>0XXXXX</td> <td>0XXXXX</td> </tr> <tr> <td>Blue</td> <td>0XXXXX</td> <td>0XXXXX</td> <td>1XXXXX</td> </tr> <tr> <td>Red</td> <td>1XXXXX</td> <td>0XXXXX</td> <td>0XXXXX</td> </tr> <tr> <td>Magenta</td> <td>1XXXXX</td> <td>0XXXXX</td> <td>1XXXXX</td> </tr> <tr> <td>Green</td> <td>0XXXXX</td> <td>1XXXXX</td> <td>0XXXXX</td> </tr> <tr> <td>Cyan</td> <td>0XXXXX</td> <td>1XXXXX</td> <td>1XXXXX</td> </tr> <tr> <td>Yellow</td> <td>1XXXXX</td> <td>1XXXXX</td> <td>0XXXXX</td> </tr> <tr> <td>White</td> <td>1XXXXX</td> <td>1XXXXX</td> <td>1XXXXX</td> </tr> </tbody> </table> <p>X = Don't care.</p>														Memory Contents vs. Display Color													R5 R4 R3 R2 R1	G5 G4 G3 G2 G1	B5 B4 B3 B2 B1		R0	G0	B0	Black	0XXXXX	0XXXXX	0XXXXX	Blue	0XXXXX	0XXXXX	1XXXXX	Red	1XXXXX	0XXXXX	0XXXXX	Magenta	1XXXXX	0XXXXX	1XXXXX	Green	0XXXXX	1XXXXX	0XXXXX	Cyan	0XXXXX	1XXXXX	1XXXXX	Yellow	1XXXXX	1XXXXX	0XXXXX	White	1XXXXX	1XXXXX
	Memory Contents vs. Display Color																																																																
	R5 R4 R3 R2 R1	G5 G4 G3 G2 G1	B5 B4 B3 B2 B1																																																														
	R0	G0	B0																																																														
Black	0XXXXX	0XXXXX	0XXXXX																																																														
Blue	0XXXXX	0XXXXX	1XXXXX																																																														
Red	1XXXXX	0XXXXX	0XXXXX																																																														
Magenta	1XXXXX	0XXXXX	1XXXXX																																																														
Green	0XXXXX	1XXXXX	0XXXXX																																																														
Cyan	0XXXXX	1XXXXX	1XXXXX																																																														
Yellow	1XXXXX	1XXXXX	0XXXXX																																																														
White	1XXXXX	1XXXXX	1XXXXX																																																														
Restriction	This command has no effect when module is already in idle off mode.																																																																
Register Availability	<table border="1" style="width: 100%; border-collapse: collapse;"> <thead> <tr> <th>Status</th> <th>Availability</th> </tr> </thead> <tbody> <tr> <td>Normal Mode On, Idle Mode Off, Sleep Out</td> <td>Yes</td> </tr> <tr> <td>Normal Mode On, Idle Mode On, Sleep Out</td> <td>Yes</td> </tr> <tr> <td>Partial Mode On, Idle Mode Off, Sleep Out</td> <td>Yes</td> </tr> <tr> <td>Partial Mode On, Idle Mode On, Sleep Out</td> <td>Yes</td> </tr> <tr> <td>Sleep In</td> <td>Yes</td> </tr> </tbody> </table>													Status	Availability	Normal Mode On, Idle Mode Off, Sleep Out	Yes	Normal Mode On, Idle Mode On, Sleep Out	Yes	Partial Mode On, Idle Mode Off, Sleep Out	Yes	Partial Mode On, Idle Mode On, Sleep Out	Yes	Sleep In	Yes																																								
Status	Availability																																																																
Normal Mode On, Idle Mode Off, Sleep Out	Yes																																																																
Normal Mode On, Idle Mode On, Sleep Out	Yes																																																																
Partial Mode On, Idle Mode Off, Sleep Out	Yes																																																																
Partial Mode On, Idle Mode On, Sleep Out	Yes																																																																
Sleep In	Yes																																																																



6.2.22. COLMOD: Pixel Format Set (3Ah)

3Ah	Pixel Format Set																																																																																				
	D/CX	RDX	WRX	D17-8	D7	D6	D5	D4	D3	D2	D1	D0	HEX																																																																								
Command	0	1	↑	XX	0	0	1	1	1	0	1	0	3Ah																																																																								
Parameter	1	1	↑	XX	0	DPI [2:0]			0	DBI [2:0]			66																																																																								
Description	<p>This command sets the pixel format for the RGB image data used by the interface. DPI [2:0] is the pixel format select of RGB interface and DBI [2:0] is the pixel format of MCU interface. If a particular interface, either RGB interface or MCU interface, is not used then the corresponding bits in the parameter are ignored. The pixel format is shown in the table below.</p> <table border="1" style="display: inline-table; margin-right: 20px;"> <thead> <tr> <th colspan="3">DPI [2:0]</th> <th>RGB Interface Format</th> </tr> </thead> <tbody> <tr><td>0</td><td>0</td><td>0</td><td>Reserved</td></tr> <tr><td>0</td><td>0</td><td>1</td><td>Reserved</td></tr> <tr><td>0</td><td>1</td><td>0</td><td>Reserved</td></tr> <tr><td>0</td><td>1</td><td>1</td><td>Reserved</td></tr> <tr><td>1</td><td>0</td><td>0</td><td>Reserved</td></tr> <tr><td>1</td><td>0</td><td>1</td><td>16 bits / pixel</td></tr> <tr><td>1</td><td>1</td><td>0</td><td>18 bits / pixel</td></tr> <tr><td>1</td><td>1</td><td>1</td><td>Reserved</td></tr> </tbody> </table> <table border="1" style="display: inline-table;"> <thead> <tr> <th colspan="3">DBI [2:0]</th> <th>MCU Interface Format</th> </tr> </thead> <tbody> <tr><td>0</td><td>0</td><td>0</td><td>Reserved</td></tr> <tr><td>0</td><td>0</td><td>1</td><td>Reserved</td></tr> <tr><td>0</td><td>1</td><td>0</td><td>Reserved</td></tr> <tr><td>0</td><td>1</td><td>1</td><td>Reserved</td></tr> <tr><td>1</td><td>0</td><td>0</td><td>Reserved</td></tr> <tr><td>1</td><td>0</td><td>1</td><td>16 bits / pixel</td></tr> <tr><td>1</td><td>1</td><td>0</td><td>18 bits / pixel</td></tr> <tr><td>1</td><td>1</td><td>1</td><td>Reserved</td></tr> </tbody> </table> <p>If using RGB Interface must selection serial interface. X = Don't care.</p>													DPI [2:0]			RGB Interface Format	0	0	0	Reserved	0	0	1	Reserved	0	1	0	Reserved	0	1	1	Reserved	1	0	0	Reserved	1	0	1	16 bits / pixel	1	1	0	18 bits / pixel	1	1	1	Reserved	DBI [2:0]			MCU Interface Format	0	0	0	Reserved	0	0	1	Reserved	0	1	0	Reserved	0	1	1	Reserved	1	0	0	Reserved	1	0	1	16 bits / pixel	1	1	0	18 bits / pixel	1	1	1	Reserved
DPI [2:0]			RGB Interface Format																																																																																		
0	0	0	Reserved																																																																																		
0	0	1	Reserved																																																																																		
0	1	0	Reserved																																																																																		
0	1	1	Reserved																																																																																		
1	0	0	Reserved																																																																																		
1	0	1	16 bits / pixel																																																																																		
1	1	0	18 bits / pixel																																																																																		
1	1	1	Reserved																																																																																		
DBI [2:0]			MCU Interface Format																																																																																		
0	0	0	Reserved																																																																																		
0	0	1	Reserved																																																																																		
0	1	0	Reserved																																																																																		
0	1	1	Reserved																																																																																		
1	0	0	Reserved																																																																																		
1	0	1	16 bits / pixel																																																																																		
1	1	0	18 bits / pixel																																																																																		
1	1	1	Reserved																																																																																		
Restriction	This command has no effect when module is already in idle off mode.																																																																																				
Register Availability	<table border="1" style="width: 100%;"> <thead> <tr> <th>Status</th> <th>Availability</th> </tr> </thead> <tbody> <tr> <td>Normal Mode On, Idle Mode Off, Sleep Out</td> <td>Yes</td> </tr> <tr> <td>Normal Mode On, Idle Mode On, Sleep Out</td> <td>Yes</td> </tr> <tr> <td>Partial Mode On, Idle Mode Off, Sleep Out</td> <td>Yes</td> </tr> <tr> <td>Partial Mode On, Idle Mode On, Sleep Out</td> <td>Yes</td> </tr> <tr> <td>Sleep In</td> <td>Yes</td> </tr> </tbody> </table>													Status	Availability	Normal Mode On, Idle Mode Off, Sleep Out	Yes	Normal Mode On, Idle Mode On, Sleep Out	Yes	Partial Mode On, Idle Mode Off, Sleep Out	Yes	Partial Mode On, Idle Mode On, Sleep Out	Yes	Sleep In	Yes																																																												
Status	Availability																																																																																				
Normal Mode On, Idle Mode Off, Sleep Out	Yes																																																																																				
Normal Mode On, Idle Mode On, Sleep Out	Yes																																																																																				
Partial Mode On, Idle Mode Off, Sleep Out	Yes																																																																																				
Partial Mode On, Idle Mode On, Sleep Out	Yes																																																																																				
Sleep In	Yes																																																																																				
Default	<table border="1" style="width: 100%;"> <thead> <tr> <th rowspan="2">Status</th> <th colspan="2">Default Value</th> </tr> <tr> <th>DPI [2:0]</th> <th>DBI [2:0]</th> </tr> </thead> <tbody> <tr> <td>Power On Sequence</td> <td>3'b110</td> <td>3'b110</td> </tr> <tr> <td>SW Reset</td> <td>No Change</td> <td>No Change</td> </tr> <tr> <td>HW Reset</td> <td>3'b110</td> <td>3'b110</td> </tr> </tbody> </table>													Status	Default Value		DPI [2:0]	DBI [2:0]	Power On Sequence	3'b110	3'b110	SW Reset	No Change	No Change	HW Reset	3'b110	3'b110																																																										
Status	Default Value																																																																																				
	DPI [2:0]	DBI [2:0]																																																																																			
Power On Sequence	3'b110	3'b110																																																																																			
SW Reset	No Change	No Change																																																																																			
HW Reset	3'b110	3'b110																																																																																			

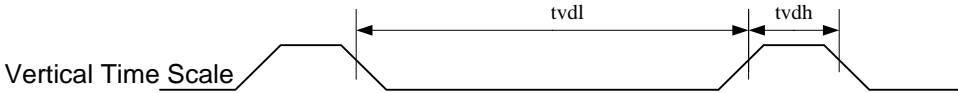


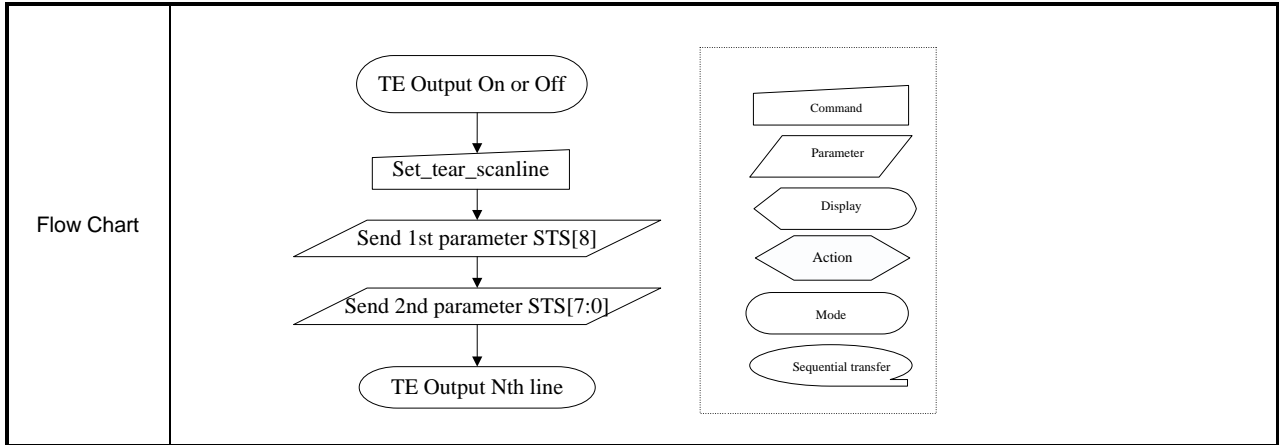
6.2.23. Write Memory Continue (3Ch)

3Ch	write_memory_continue												
	D/CX	RDX	WRX	D17-8	D7	D6	D5	D4	D3	D2	D1	D0	HEX
Command	0	1	↑	D1[17..8]	0	0	1	1	1	1	0	0	3Ch
1 st Parameter	1	1	↑	Dx[17..8]	D1[7]	D1[6]	D1[5]	D1[4]	D1[3]	D1[2]	D1[1]	D1[0]	0003FF
X th Parameter	1	1	↑	D1[17..8]	Dx[7]	Dx[6]	Dx[5]	Dx[4]	Dx[3]	Dx[2]	Dx[1]	Dx[0]	0003FF
N th Parameter	1	1	↑	Dn[17..8]	Dn[7]	Dn[6]	Dn[5]	Dn[4]	Dn[3]	Dn[2]	Dn[1]	Dn[0]	0003FF
Description	<p>This command transfers image data from the host processor to the display module's frame memory continuing from the pixel location following the previous write_memory_continue or write_memory_start command.</p> <p>If set_address_mode B5 = 0:</p> <p>Data is written continuing from the pixel location after the write range of the previous write_memory_start or write_memory_continue. The column register is then incremented and pixels are written to the frame memory until the column register equals the End Column (EC) value. The column register is then reset to SC and the page register is incremented. Pixels are written to the frame memory until the page register equals the End Page (EP) value and the column register equals the EC value, or the host processor sends another command. If the number of pixels exceeds $(EC - SC + 1) * (EP - SP + 1)$ the extra pixels are ignored.</p> <p>If set_address_mode B5 = 1:</p> <p>Data is written continuing from the pixel location after the write range of the previous write_memory_start or write_memory_continue. The page register is then incremented and pixels are written to the frame memory until the page register equals the End Page (EP) value. The page register is then reset to SP and the column register is incremented. Pixels are written to the frame memory until the column register equals the End column (EC) value and the page register equals the EP value, or the host processor sends another command. If the number of pixels exceeds $(EC - SC + 1) * (EP - SP + 1)$ the extra pixels are ignored.</p> <p>Sending any other command can stop frame Write.</p> <p>Frame Memory Access and Interface setting (B3h), WEMODE=0</p> <p>When the transfer number of data exceeds $(EC-SC+1)*(EP-SP+1)$, the exceeding data will be ignored.</p> <p>Frame Memory Access and Interface setting (B3h), WEMODE=1</p> <p>When the transfer number of data exceeds $(EC-SC+1)*(EP-SP+1)$, the column and page number will be reset, and the exceeding data will be written into the following column and page.</p>												
Restriction	<p>A write_memory_start should follow a set_column_address, set_page_address or set_address_mode to define the write address. Otherwise, data written with write_memory_continue is written to undefined addresses.</p>												

<p>Register Availability</p>	<table border="1"> <thead> <tr> <th>Status</th> <th>Availability</th> </tr> </thead> <tbody> <tr> <td>Normal Mode On, Idle Mode Off, Sleep Out</td> <td>Yes</td> </tr> <tr> <td>Normal Mode On, Idle Mode On, Sleep Out</td> <td>Yes</td> </tr> <tr> <td>Partial Mode On, Idle Mode Off, Sleep Out</td> <td>Yes</td> </tr> <tr> <td>Partial Mode On, Idle Mode On, Sleep Out</td> <td>Yes</td> </tr> <tr> <td>Sleep In</td> <td>Yes</td> </tr> </tbody> </table>	Status	Availability	Normal Mode On, Idle Mode Off, Sleep Out	Yes	Normal Mode On, Idle Mode On, Sleep Out	Yes	Partial Mode On, Idle Mode Off, Sleep Out	Yes	Partial Mode On, Idle Mode On, Sleep Out	Yes	Sleep In	Yes
Status	Availability												
Normal Mode On, Idle Mode Off, Sleep Out	Yes												
Normal Mode On, Idle Mode On, Sleep Out	Yes												
Partial Mode On, Idle Mode Off, Sleep Out	Yes												
Partial Mode On, Idle Mode On, Sleep Out	Yes												
Sleep In	Yes												
<p>Default</p>	<table border="1"> <thead> <tr> <th>Status</th> <th>Default Value</th> </tr> </thead> <tbody> <tr> <td>Power On Sequence</td> <td>Random value</td> </tr> <tr> <td>SW Reset</td> <td>No change</td> </tr> <tr> <td>HW Reset</td> <td>No change</td> </tr> </tbody> </table>	Status	Default Value	Power On Sequence	Random value	SW Reset	No change	HW Reset	No change				
Status	Default Value												
Power On Sequence	Random value												
SW Reset	No change												
HW Reset	No change												
<p>Flow Chart</p>	<pre> graph TD A[write_memory_continue] --> B((Image data)) B --> C[Next Command] </pre> <p>The flow chart illustrates the sequence of operations. It starts with a rectangular box labeled 'write_memory_continue', which points to an oval labeled 'Image data'. From 'Image data', an arrow points to another rectangular box labeled 'Next Command'. To the right of the flow chart is a legend enclosed in a dashed box, defining the symbols used: a rectangle for 'Command', a parallelogram for 'Parameter', a rounded rectangle for 'Display', a pentagon for 'Action', an oval for 'Mode', and an oval with a tail for 'Sequential transfer'.</p>												

6.2.24. Set_Tear_Scanline (44h)

44h	Set_Tear_Scanline																								
	D/CX	RDX	WRX	D17-8	D7	D6	D5	D4	D3	D2	D1	D0	HEX												
Command	0	1	↑	XX	0	1	0	0	0	1	0	0	44h												
1 st Parameter	1	1	↑	XX	0	0	0	0	0	0	0	STS [8]	00												
2 nd Parameter	1	1	↑	XX	STS [7]	STS [6]	STS [5]	STS [4]	STS [3]	STS [2]	STS [1]	STS [0]	00												
Description	<p>This command turns on the display Tearing Effect output signal on the TE signal line when the display reaches line equal the value of STS[8:0]</p>  <p>Vertical Time Scale</p> <p>Note:that set_tear_scanline with STS is equivalent to set_tear_on with 8+GateN(N=1、2、3...320) eg:when the STS[8:0]=8,the TE will output at the position of Gate1. when the STS[8:0]=9,the TE will output at the position of Gate2. when the STS[8:0]=10,the TE will output at the position of Gate3. The Tearing Effect Output line shall be active low when the display module is in Sleep mode.</p>																								
Restriction																									
Register Availability	<table border="1"> <thead> <tr> <th>Status</th> <th>Availability</th> </tr> </thead> <tbody> <tr> <td>Normal Mode On, Idle Mode Off, Sleep Out</td> <td>Yes</td> </tr> <tr> <td>Normal Mode On, Idle Mode On, Sleep Out</td> <td>Yes</td> </tr> <tr> <td>Partial Mode On, Idle Mode Off, Sleep Out</td> <td>Yes</td> </tr> <tr> <td>Partial Mode On, Idle Mode On, Sleep Out</td> <td>Yes</td> </tr> <tr> <td>Sleep In</td> <td>Yes</td> </tr> </tbody> </table>													Status	Availability	Normal Mode On, Idle Mode Off, Sleep Out	Yes	Normal Mode On, Idle Mode On, Sleep Out	Yes	Partial Mode On, Idle Mode Off, Sleep Out	Yes	Partial Mode On, Idle Mode On, Sleep Out	Yes	Sleep In	Yes
Status	Availability																								
Normal Mode On, Idle Mode Off, Sleep Out	Yes																								
Normal Mode On, Idle Mode On, Sleep Out	Yes																								
Partial Mode On, Idle Mode Off, Sleep Out	Yes																								
Partial Mode On, Idle Mode On, Sleep Out	Yes																								
Sleep In	Yes																								
Default	<table border="1"> <thead> <tr> <th>Status</th> <th>Default Value</th> </tr> </thead> <tbody> <tr> <td>Power On Sequence</td> <td>STS [8:0]=0000h</td> </tr> <tr> <td>SW Reset</td> <td>STS [8:0]=0000h</td> </tr> <tr> <td>HW Reset</td> <td>STS [8:0]=0000h</td> </tr> </tbody> </table>													Status	Default Value	Power On Sequence	STS [8:0]=0000h	SW Reset	STS [8:0]=0000h	HW Reset	STS [8:0]=0000h				
Status	Default Value																								
Power On Sequence	STS [8:0]=0000h																								
SW Reset	STS [8:0]=0000h																								
HW Reset	STS [8:0]=0000h																								



6.2.25. Get_Scanline (45h)

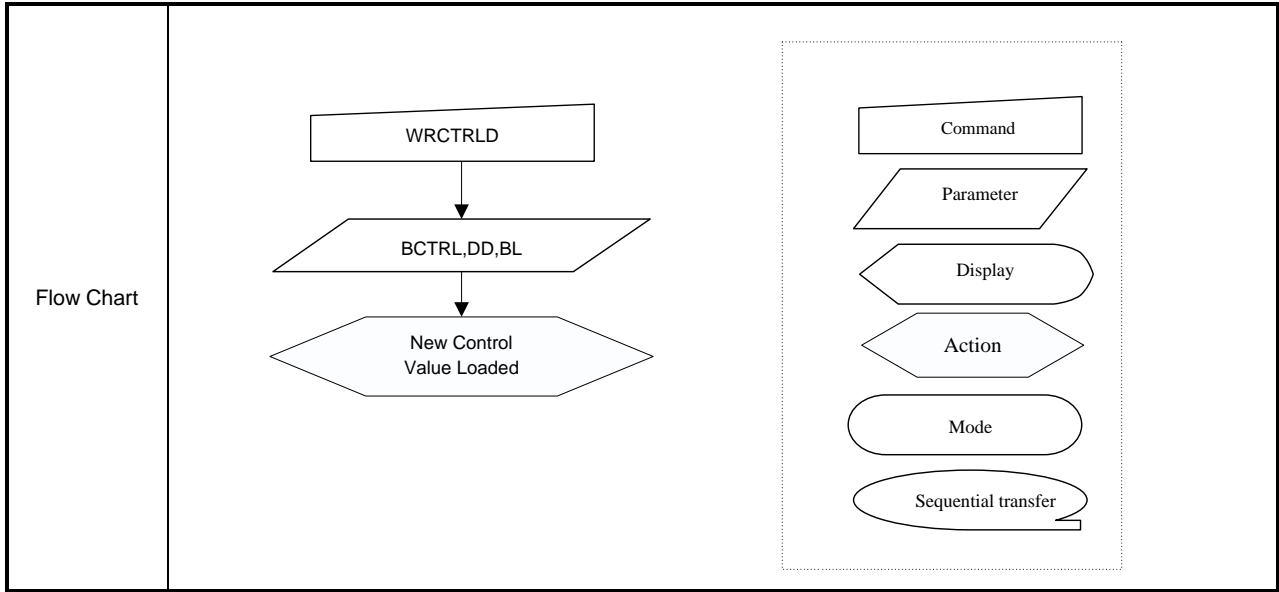
45h	Get_Scanline																								
	D/CX	RDX	WRX	D17-8	D7	D6	D5	D4	D3	D2	D1	D0	HEX												
Command	0	1	↑	XX	0	1	0	0	0	1	0	1	45h												
1 st Parameter	1	↑	1	XX	0	0	0	0	0	0	0	GTS [8]	00												
2 nd Parameter	1	↑	1	XX	GTS [7]	GTS [6]	GTS [5]	GTS [4]	GTS [3]	GTS [2]	GTS [1]	GTS [0]	00												
Description	This command returns the setting value of STS[8:0] . When in Sleep Mode, the value returned by get_scanline is undefined.																								
Restriction	None																								
Register Availability	<table border="1"> <thead> <tr> <th>Status</th> <th>Availability</th> </tr> </thead> <tbody> <tr> <td>Normal Mode On, Idle Mode Off, Sleep Out</td> <td>Yes</td> </tr> <tr> <td>Normal Mode On, Idle Mode On, Sleep Out</td> <td>Yes</td> </tr> <tr> <td>Partial Mode On, Idle Mode Off, Sleep Out</td> <td>Yes</td> </tr> <tr> <td>Partial Mode On, Idle Mode On, Sleep Out</td> <td>Yes</td> </tr> <tr> <td>Sleep In</td> <td>Yes</td> </tr> </tbody> </table>													Status	Availability	Normal Mode On, Idle Mode Off, Sleep Out	Yes	Normal Mode On, Idle Mode On, Sleep Out	Yes	Partial Mode On, Idle Mode Off, Sleep Out	Yes	Partial Mode On, Idle Mode On, Sleep Out	Yes	Sleep In	Yes
Status	Availability																								
Normal Mode On, Idle Mode Off, Sleep Out	Yes																								
Normal Mode On, Idle Mode On, Sleep Out	Yes																								
Partial Mode On, Idle Mode Off, Sleep Out	Yes																								
Partial Mode On, Idle Mode On, Sleep Out	Yes																								
Sleep In	Yes																								
Default	<table border="1"> <thead> <tr> <th>Status</th> <th>Default Value</th> </tr> </thead> <tbody> <tr> <td>Power On Sequence</td> <td>GTS [9:0]=0000h</td> </tr> <tr> <td>SW Reset</td> <td>GTS [9:0]=0000h</td> </tr> <tr> <td>HW Reset</td> <td>GTS [9:0]=0000h</td> </tr> </tbody> </table>													Status	Default Value	Power On Sequence	GTS [9:0]=0000h	SW Reset	GTS [9:0]=0000h	HW Reset	GTS [9:0]=0000h				
Status	Default Value																								
Power On Sequence	GTS [9:0]=0000h																								
SW Reset	GTS [9:0]=0000h																								
HW Reset	GTS [9:0]=0000h																								
Flow Chart	<pre> graph TD A[get_scanline] --> B{Wait 3us} B --> C[/Dummy Read/] C --> D[/Send 1st parameter GTS[8]/] D --> E[/Send 2nd parameter GTS[7:0]/] </pre>																								

6.2.26. Write Display Brightness (51h)

51h	Write Display Brightness																								
	D/CX	RDX	WRX	D17-8	D7	D6	D5	D4	D3	D2	D1	D0	HEX												
Command	0	1	↑	XX	0	1	0	1	0	0	0	1	51h												
1 st Parameter	1	1	↑	XX	DBV[7]	DBV[6]	DBV[5]	DBV[4]	DBV[3]	DBV[6]	DBV[5]	DBV[4]	00												
Description	<p>This command is used to adjust the brightness value of the display.</p> <p>It should be checked what is the relationship between this written value and output brightness of the display. This relationship is defined on the display module specification.</p> <p>In principle relationship is that 00h value means the lowest brightness and FFh value means the highest brightness.</p>																								
Restriction	None																								
Register Availability	<table border="1"> <thead> <tr> <th>Status</th> <th>Availability</th> </tr> </thead> <tbody> <tr> <td>Normal Mode On, Idle Mode Off, Sleep Out</td> <td>Yes</td> </tr> <tr> <td>Normal Mode On, Idle Mode On, Sleep Out</td> <td>Yes</td> </tr> <tr> <td>Partial Mode On, Idle Mode Off, Sleep Out</td> <td>Yes</td> </tr> <tr> <td>Partial Mode On, Idle Mode On, Sleep Out</td> <td>Yes</td> </tr> <tr> <td>Sleep In</td> <td>Yes</td> </tr> </tbody> </table>													Status	Availability	Normal Mode On, Idle Mode Off, Sleep Out	Yes	Normal Mode On, Idle Mode On, Sleep Out	Yes	Partial Mode On, Idle Mode Off, Sleep Out	Yes	Partial Mode On, Idle Mode On, Sleep Out	Yes	Sleep In	Yes
Status	Availability																								
Normal Mode On, Idle Mode Off, Sleep Out	Yes																								
Normal Mode On, Idle Mode On, Sleep Out	Yes																								
Partial Mode On, Idle Mode Off, Sleep Out	Yes																								
Partial Mode On, Idle Mode On, Sleep Out	Yes																								
Sleep In	Yes																								
Default	<table border="1"> <thead> <tr> <th>Status</th> <th>Default Value</th> </tr> </thead> <tbody> <tr> <td>Power On Sequence</td> <td>DBV [7:0]= 8'h00</td> </tr> <tr> <td>SW Reset</td> <td>DBV [7:0]= 8'h00</td> </tr> <tr> <td>HW Reset</td> <td>DBV [7:0]= 8'h00</td> </tr> </tbody> </table>													Status	Default Value	Power On Sequence	DBV [7:0]= 8'h00	SW Reset	DBV [7:0]= 8'h00	HW Reset	DBV [7:0]= 8'h00				
Status	Default Value																								
Power On Sequence	DBV [7:0]= 8'h00																								
SW Reset	DBV [7:0]= 8'h00																								
HW Reset	DBV [7:0]= 8'h00																								
Flow Chart	<pre> graph TD A[WRDISBV] --> B[/DBV[7:0]/] B --> C{{New Display Brightness Value Loaded}} </pre>																								

6.2.27. Write CTRL Display (53h)

53h	Write CTRL Display																															
	D/CX	RDX	WRX	D17-8	D7	D6	D5	D4	D3	D2	D1	D0	HEX																			
Command	0	1	↑	XX	0	1	0	1	0	0	1	1	53h																			
1 st Parameter	1	1	↑	XX	0	0	BCTRL	0	DD	BL	0	0	00																			
Description	<p>This command is used to return brightness setting.</p> <p>BCTRL: Brightness Control Block On/Off, '0' = Off (Brightness registers are 00h) '1' = On (Brightness registers are active, according to the DBV[7..0] parameters.)</p> <p>DD: Display Dimming '0' = Display Dimming is off '1' = Display Dimming is on</p> <p>BL: Backlight On/Off '0' = Off (Completely turn off backlight circuit. Control lines must be low.) '1' = On</p>																															
Restriction	<p>The display module is sending 2nd parameter value on the data lines if the MCU wants to read more than one parameter (= more than 2 RDX cycle) on DBI. Only 2nd parameter is sent on DSI (The 1st parameter is not sent).</p>																															
Register Availability	<table border="1"> <thead> <tr> <th>Status</th> <th>Availability</th> </tr> </thead> <tbody> <tr> <td>Normal Mode On, Idle Mode Off, Sleep Out</td> <td>Yes</td> </tr> <tr> <td>Normal Mode On, Idle Mode On, Sleep Out</td> <td>Yes</td> </tr> <tr> <td>Partial Mode On, Idle Mode Off, Sleep Out</td> <td>Yes</td> </tr> <tr> <td>Partial Mode On, Idle Mode On, Sleep Out</td> <td>Yes</td> </tr> <tr> <td>Sleep In</td> <td>Yes</td> </tr> </tbody> </table>													Status	Availability	Normal Mode On, Idle Mode Off, Sleep Out	Yes	Normal Mode On, Idle Mode On, Sleep Out	Yes	Partial Mode On, Idle Mode Off, Sleep Out	Yes	Partial Mode On, Idle Mode On, Sleep Out	Yes	Sleep In	Yes							
Status	Availability																															
Normal Mode On, Idle Mode Off, Sleep Out	Yes																															
Normal Mode On, Idle Mode On, Sleep Out	Yes																															
Partial Mode On, Idle Mode Off, Sleep Out	Yes																															
Partial Mode On, Idle Mode On, Sleep Out	Yes																															
Sleep In	Yes																															
Default	<table border="1"> <thead> <tr> <th rowspan="2">Status</th> <th colspan="3">Default Value</th> </tr> <tr> <th>BCTRL</th> <th>DD</th> <th>BL</th> </tr> </thead> <tbody> <tr> <td>Power On Sequence</td> <td>1'b0</td> <td>1'b0</td> <td>1'b0</td> </tr> <tr> <td>SW Reset</td> <td>1'b0</td> <td>1'b0</td> <td>1'b0</td> </tr> <tr> <td>HW Reset</td> <td>1'b0</td> <td>1'b0</td> <td>1'b0</td> </tr> </tbody> </table>													Status	Default Value			BCTRL	DD	BL	Power On Sequence	1'b0	1'b0	1'b0	SW Reset	1'b0	1'b0	1'b0	HW Reset	1'b0	1'b0	1'b0
Status	Default Value																															
	BCTRL	DD	BL																													
Power On Sequence	1'b0	1'b0	1'b0																													
SW Reset	1'b0	1'b0	1'b0																													
HW Reset	1'b0	1'b0	1'b0																													



6.2.28. Read ID1 (DAh)

DCh	Read ID2																								
	D/CX	RDX	WRX	D17-8	D7	D6	D5	D4	D3	D2	D1	D0	HEX												
Command	0	1	↑	XX	1	1	0	1	1	0	1	0	DAh												
1 st Parameter	1	↑	1	XX	X	X	X	X	X	X	X	X	X												
2 nd Parameter	1	↑	1	XX	ID3 [7:0]							Program value													
Description	<p>This read byte is used to track the LCD module/driver version. It is defined by display supplier (with User's agreement) and changes each time a revision is made to the display, material or construction specifications.</p> <p>The 1st parameter is dummy data.</p> <p>The 2nd parameter is LCD module/driver version ID</p> <p>The ID3 can be programmed by MTP function.</p> <p>X = Don't care</p>																								
Restriction	None																								
Register Availability	<table border="1"> <thead> <tr> <th>Status</th> <th>Availability</th> </tr> </thead> <tbody> <tr> <td>Normal Mode On, Idle Mode Off, Sleep Out</td> <td>Yes</td> </tr> <tr> <td>Normal Mode On, Idle Mode On, Sleep Out</td> <td>Yes</td> </tr> <tr> <td>Partial Mode On, Idle Mode Off, Sleep Out</td> <td>Yes</td> </tr> <tr> <td>Partial Mode On, Idle Mode On, Sleep Out</td> <td>Yes</td> </tr> <tr> <td>Sleep In</td> <td>Yes</td> </tr> </tbody> </table>													Status	Availability	Normal Mode On, Idle Mode Off, Sleep Out	Yes	Normal Mode On, Idle Mode On, Sleep Out	Yes	Partial Mode On, Idle Mode Off, Sleep Out	Yes	Partial Mode On, Idle Mode On, Sleep Out	Yes	Sleep In	Yes
Status	Availability																								
Normal Mode On, Idle Mode Off, Sleep Out	Yes																								
Normal Mode On, Idle Mode On, Sleep Out	Yes																								
Partial Mode On, Idle Mode Off, Sleep Out	Yes																								
Partial Mode On, Idle Mode On, Sleep Out	Yes																								
Sleep In	Yes																								
Default	<table border="1"> <thead> <tr> <th>Status</th> <th>Default Value (After MTP program)</th> </tr> </thead> <tbody> <tr> <td>Power On Sequence</td> <td>8'h00</td> </tr> <tr> <td>SW Reset</td> <td>8'h00</td> </tr> <tr> <td>HW Reset</td> <td>8'h00</td> </tr> </tbody> </table>													Status	Default Value (After MTP program)	Power On Sequence	8'h00	SW Reset	8'h00	HW Reset	8'h00				
Status	Default Value (After MTP program)																								
Power On Sequence	8'h00																								
SW Reset	8'h00																								
HW Reset	8'h00																								
Flow Chart	<pre> graph TD subgraph Host A[RDID3(DCh)] end subgraph Driver B[/1st Parameter: Dummy Read/] C[/2nd Parameter: Send ID3[7:0]/] end A --> B B --> C </pre> <div style="border: 1px dashed black; padding: 5px; margin-top: 10px;"> <p>Legend:</p> <ul style="list-style-type: none"> Command: Rectangle Parameter: Trapezoid Display: Rounded Rectangle Action: Diamond Mode: Oval </div>																								



6.2.29. Read ID2 (DBh)

DCh	Read ID2																								
	D/CX	RDX	WRX	D17-8	D7	D6	D5	D4	D3	D2	D1	D0	HEX												
Command	0	1	↑	XX	1	1	0	1	1	0	1	1	DBh												
1 st Parameter	1	↑	1	XX	X	X	X	X	X	X	X	X	X												
2 nd Parameter	1	↑	1	XX	ID3 [7:0]							Program value													
Description	<p>This read byte is used to track the LCD module/driver version. It is defined by display supplier (with User's agreement) and changes each time a revision is made to the display, material or construction specifications.</p> <p>The 1st parameter is dummy data.</p> <p>The 2nd parameter is LCD module/driver version ID</p> <p>The ID3 can be programmed by MTP function.</p> <p>X = Don't care</p>																								
Restriction	None																								
Register Availability	<table border="1"> <thead> <tr> <th>Status</th> <th>Availability</th> </tr> </thead> <tbody> <tr> <td>Normal Mode On, Idle Mode Off, Sleep Out</td> <td>Yes</td> </tr> <tr> <td>Normal Mode On, Idle Mode On, Sleep Out</td> <td>Yes</td> </tr> <tr> <td>Partial Mode On, Idle Mode Off, Sleep Out</td> <td>Yes</td> </tr> <tr> <td>Partial Mode On, Idle Mode On, Sleep Out</td> <td>Yes</td> </tr> <tr> <td>Sleep In</td> <td>Yes</td> </tr> </tbody> </table>													Status	Availability	Normal Mode On, Idle Mode Off, Sleep Out	Yes	Normal Mode On, Idle Mode On, Sleep Out	Yes	Partial Mode On, Idle Mode Off, Sleep Out	Yes	Partial Mode On, Idle Mode On, Sleep Out	Yes	Sleep In	Yes
Status	Availability																								
Normal Mode On, Idle Mode Off, Sleep Out	Yes																								
Normal Mode On, Idle Mode On, Sleep Out	Yes																								
Partial Mode On, Idle Mode Off, Sleep Out	Yes																								
Partial Mode On, Idle Mode On, Sleep Out	Yes																								
Sleep In	Yes																								
Default	<table border="1"> <thead> <tr> <th>Status</th> <th>Default Value (After MTP program)</th> </tr> </thead> <tbody> <tr> <td>Power On Sequence</td> <td>8'h93</td> </tr> <tr> <td>SW Reset</td> <td>8'h93</td> </tr> <tr> <td>HW Reset</td> <td>8'h93</td> </tr> </tbody> </table>													Status	Default Value (After MTP program)	Power On Sequence	8'h93	SW Reset	8'h93	HW Reset	8'h93				
Status	Default Value (After MTP program)																								
Power On Sequence	8'h93																								
SW Reset	8'h93																								
HW Reset	8'h93																								
Flow Chart	<pre> graph TD subgraph Host A[RDID3(DCh)] end subgraph Driver B[/1st Parameter: Dummy Read/] C[/2nd Parameter: Send ID3[7:0]/] end A --> B B --> C </pre> <p>Legend:</p> <ul style="list-style-type: none"> Command: Rectangle Parameter: Trapezoid Display: Rounded Rectangle Action: Diamond Mode: Oval 																								



6.2.30. Read ID3 (DCh)

DCh	Read ID2																								
	D/CX	RDX	WRX	D17-8	D7	D6	D5	D4	D3	D2	D1	D0	HEX												
Command	0	1	↑	XX	1	1	0	1	1	1	0	0	DCh												
1 st Parameter	1	↑	1	XX	X	X	X	X	X	X	X	X	X												
2 nd Parameter	1	↑	1	XX	ID3 [7:0]							Program value													
Description	<p>This read byte is used to track the LCD module/driver version. It is defined by display supplier (with User's agreement) and changes each time a revision is made to the display, material or construction specifications.</p> <p>The 1st parameter is dummy data.</p> <p>The 2nd parameter is LCD module/driver version ID</p> <p>The ID3 can be programmed by MTP function.</p> <p>X = Don't care</p>																								
Restriction	None																								
Register Availability	<table border="1"> <thead> <tr> <th>Status</th> <th>Availability</th> </tr> </thead> <tbody> <tr> <td>Normal Mode On, Idle Mode Off, Sleep Out</td> <td>Yes</td> </tr> <tr> <td>Normal Mode On, Idle Mode On, Sleep Out</td> <td>Yes</td> </tr> <tr> <td>Partial Mode On, Idle Mode Off, Sleep Out</td> <td>Yes</td> </tr> <tr> <td>Partial Mode On, Idle Mode On, Sleep Out</td> <td>Yes</td> </tr> <tr> <td>Sleep In</td> <td>Yes</td> </tr> </tbody> </table>													Status	Availability	Normal Mode On, Idle Mode Off, Sleep Out	Yes	Normal Mode On, Idle Mode On, Sleep Out	Yes	Partial Mode On, Idle Mode Off, Sleep Out	Yes	Partial Mode On, Idle Mode On, Sleep Out	Yes	Sleep In	Yes
Status	Availability																								
Normal Mode On, Idle Mode Off, Sleep Out	Yes																								
Normal Mode On, Idle Mode On, Sleep Out	Yes																								
Partial Mode On, Idle Mode Off, Sleep Out	Yes																								
Partial Mode On, Idle Mode On, Sleep Out	Yes																								
Sleep In	Yes																								
Default	<table border="1"> <thead> <tr> <th>Status</th> <th>Default Value (After MTP program)</th> </tr> </thead> <tbody> <tr> <td>Power On Sequence</td> <td>8'h07</td> </tr> <tr> <td>SW Reset</td> <td>8'h07</td> </tr> <tr> <td>HW Reset</td> <td>8'h07</td> </tr> </tbody> </table>													Status	Default Value (After MTP program)	Power On Sequence	8'h07	SW Reset	8'h07	HW Reset	8'h07				
Status	Default Value (After MTP program)																								
Power On Sequence	8'h07																								
SW Reset	8'h07																								
HW Reset	8'h07																								
Flow Chart	<pre> sequenceDiagram participant Host participant Driver Host->>Driver: RDID3(DCh) Driver-->>Host: 1st Parameter: Dummy Read 2nd Parameter: Send ID3[7:0] </pre> <p>Legend:</p> <ul style="list-style-type: none"> Command: Rectangle Parameter: Parallelogram Display: Oval Action: Hexagon Mode: Capsule 																								

6.3. Description of Level 2 Command

6.3.1. RGB Interface Signal Control (B0h)

B0h	RGB Interface Signal Control																																																																							
	D/C X	RDX	WRX	D17-8	D7	D6	D5	D4	D3	D2	D1	D0	HEX																																																											
Command	0	1	↑	XX	1	0	1	1	0	0	0	0	B0h																																																											
1 st Parameter	1	1	↑	XX	0	RCM[1]	RCM[0]	0	VSPL	HSPL	DPL	EPL	01																																																											
Description	<p>Sets the operation status of the display interface. The setting becomes effective as soon as the command is received.</p> <p>EPL: DE polarity (“0”= High enable for RGB interface, “1”= Low enable for RGB interface)</p> <p>DPL: DOTCLK polarity set (“0”= data fetched at the rising time, “1”= data fetched at the falling time)</p> <p>HSPL: HSYNC polarity (“0”= Low level sync clock, “1”= High level sync clock)</p> <p>VSPL: VSYNC polarity (“0”= Low level sync clock, “1”= High level sync clock)</p> <p>RCM [1:0]: RGB interface selection (refer to the RGB interface section).</p> <table border="1"> <thead> <tr> <th>RCM[1:0]</th> <th>RI</th> <th>M</th> <th colspan="3">DPI[1:0]</th> <th>RGB interface Mode</th> <th>RGB Mode</th> <th>Used Pins</th> </tr> </thead> <tbody> <tr> <td>1</td> <td>0</td> <td>0</td> <td>1</td> <td>1</td> <td>0</td> <td>18-bit RGB interface (262K colors)</td> <td rowspan="3">DE Mode Valid data is determined by the DE signal</td> <td>VSYNC,HSYNC,DE,DOTCLK,D[17:0]</td> </tr> <tr> <td>1</td> <td>0</td> <td>0</td> <td>1</td> <td>0</td> <td>1</td> <td>16-bit RGB interface (65K colors)</td> <td>VSYNC,HSYNC,DE,DOTCLK,D[17:13] & D[11:1]</td> </tr> <tr> <td>1</td> <td>0</td> <td>1</td> <td colspan="3">-</td> <td>6-bit RGB interface (262K colors)</td> <td>VSYNC,HSYNC,DE,DOTCLK,D[5:0]</td> </tr> <tr> <td>1</td> <td>1</td> <td>0</td> <td>1</td> <td>1</td> <td>0</td> <td>18-bit RGB interface (262K colors)</td> <td rowspan="3">SYNC Mode In SYNC mode, DE signal is ignored; blanking porch is determined by B5h command</td> <td>VSYNC,HSYNC,DOTCLK,D[17:0]</td> </tr> <tr> <td>1</td> <td>1</td> <td>0</td> <td>1</td> <td>0</td> <td>1</td> <td>16-bit RGB interface (65K colors)</td> <td>VSYNC,HSYNC,DOTCLK,D[17:13] & D[11:1]</td> </tr> <tr> <td>1</td> <td>1</td> <td>1</td> <td colspan="3">-</td> <td>6-bit RGB interface (262K colors)</td> <td>VSYNC,HSYNC,DOTCLK,D[5:0]</td> </tr> </tbody> </table>													RCM[1:0]	RI	M	DPI[1:0]			RGB interface Mode	RGB Mode	Used Pins	1	0	0	1	1	0	18-bit RGB interface (262K colors)	DE Mode Valid data is determined by the DE signal	VSYNC,HSYNC,DE,DOTCLK,D[17:0]	1	0	0	1	0	1	16-bit RGB interface (65K colors)	VSYNC,HSYNC,DE,DOTCLK,D[17:13] & D[11:1]	1	0	1	-			6-bit RGB interface (262K colors)	VSYNC,HSYNC,DE,DOTCLK,D[5:0]	1	1	0	1	1	0	18-bit RGB interface (262K colors)	SYNC Mode In SYNC mode, DE signal is ignored; blanking porch is determined by B5h command	VSYNC,HSYNC,DOTCLK,D[17:0]	1	1	0	1	0	1	16-bit RGB interface (65K colors)	VSYNC,HSYNC,DOTCLK,D[17:13] & D[11:1]	1	1	1	-			6-bit RGB interface (262K colors)	VSYNC,HSYNC,DOTCLK,D[5:0]
	RCM[1:0]	RI	M	DPI[1:0]			RGB interface Mode	RGB Mode	Used Pins																																																															
	1	0	0	1	1	0	18-bit RGB interface (262K colors)	DE Mode Valid data is determined by the DE signal	VSYNC,HSYNC,DE,DOTCLK,D[17:0]																																																															
	1	0	0	1	0	1	16-bit RGB interface (65K colors)		VSYNC,HSYNC,DE,DOTCLK,D[17:13] & D[11:1]																																																															
	1	0	1	-			6-bit RGB interface (262K colors)		VSYNC,HSYNC,DE,DOTCLK,D[5:0]																																																															
	1	1	0	1	1	0	18-bit RGB interface (262K colors)	SYNC Mode In SYNC mode, DE signal is ignored; blanking porch is determined by B5h command	VSYNC,HSYNC,DOTCLK,D[17:0]																																																															
	1	1	0	1	0	1	16-bit RGB interface (65K colors)		VSYNC,HSYNC,DOTCLK,D[17:13] & D[11:1]																																																															
	1	1	1	-			6-bit RGB interface (262K colors)		VSYNC,HSYNC,DOTCLK,D[5:0]																																																															
Restriction																																																																								
Register Availability	Status						Availability																																																																	
	Normal Mode On, Idle Mode Off, Sleep Out						Yes																																																																	
	Normal Mode On, Idle Mode On, Sleep Out						Yes																																																																	
	Partial Mode On, Idle Mode Off, Sleep Out						Yes																																																																	
	Partial Mode On, Idle Mode On, Sleep Out						Yes																																																																	
	Sleep In						Yes																																																																	

Default	Default Value					
	Status	RCM[1:0]	VSPL	HSPL	DPL	EPL
	Power On Sequence	2'b00	1'b0	1'b0	1'b0	1'b1
	SW Reset	2'b00	1'b0	1'b0	1'b0	1'b1
HW Reset	2'b00	1'b0	1'b0	1'b0	1'b1	

6.3.2. Blanking Porch Control (B5h)

B5h	Blanking Porch Control																																																																																				
	D/CX	RDX	WRX	D17-8	D7	D6	D5	D4	D3	D2	D1	D0	HEX																																																																								
Command	0	1	↑	XX	1	0	1	1	0	1	0	1	B5h																																																																								
1 st Parameter	1	1	↑	XX	0	0	0	0	VFP [3:0]				08																																																																								
2 nd Parameter	1	1	↑	XX	0	VBP [6:0]						02																																																																									
3 rd Parameter	1	1	↑	XX	0	0	0	HBP [4:0]				14																																																																									
Description	<p>Note: The Third parameter must write, but it is not valid.</p> <p>VFP [6:0] / VBP [6:0]: The VFP [6:0] and VBP [6:0] bits specify the line number of vertical front and back porch period respectively.</p> <table border="1"> <thead> <tr> <th>VFP [6:0] VBP [6:0]</th> <th>Number of HSYNC of front/back porch</th> <th>VFP [6:0] VBP [6:0]</th> <th>Number of HSYNC of front/back porch</th> </tr> </thead> <tbody> <tr> <td>0000000</td> <td>Setting inhibited</td> <td>1000000</td> <td>64</td> </tr> <tr> <td>0000001</td> <td>Setting inhibited</td> <td>1000001</td> <td>65</td> </tr> <tr> <td>0000010</td> <td>2</td> <td>1000010</td> <td>66</td> </tr> <tr> <td>0000011</td> <td>3</td> <td>1000011</td> <td>67</td> </tr> <tr> <td>0000100</td> <td>4</td> <td>1000100</td> <td>68</td> </tr> <tr> <td>0000101</td> <td>5</td> <td>1000101</td> <td>69</td> </tr> <tr> <td>:</td> <td>:</td> <td>:</td> <td>:</td> </tr> <tr> <td>:</td> <td>:</td> <td>:</td> <td>:</td> </tr> <tr> <td>0111101</td> <td>61</td> <td>1111101</td> <td>125</td> </tr> <tr> <td>0111110</td> <td>62</td> <td>1111110</td> <td>109.5</td> </tr> <tr> <td>0111111</td> <td>63</td> <td>1111111</td> <td>127</td> </tr> </tbody> </table> <p><i>Note: VFP + VBP ≤ 254 HSYNC signals</i></p> <p>HBP [4:0]: HBP [4:0] bits specify the line number of horizontal back porch period respectively.</p> <table border="1"> <thead> <tr> <th>HBP [4:0]</th> <th>Number of HSYNC of front/back porch</th> </tr> </thead> <tbody> <tr> <td>00000</td> <td>Setting inhibited</td> </tr> <tr> <td>00001</td> <td>Setting inhibited</td> </tr> <tr> <td>00010</td> <td>2</td> </tr> <tr> <td>00011</td> <td>3</td> </tr> <tr> <td>00100</td> <td>4</td> </tr> <tr> <td>00101</td> <td>5</td> </tr> <tr> <td>:</td> <td>:</td> </tr> <tr> <td>:</td> <td>:</td> </tr> <tr> <td>11101</td> <td>30</td> </tr> <tr> <td>11110</td> <td>31</td> </tr> <tr> <td>11111</td> <td>32</td> </tr> </tbody> </table>													VFP [6:0] VBP [6:0]	Number of HSYNC of front/back porch	VFP [6:0] VBP [6:0]	Number of HSYNC of front/back porch	0000000	Setting inhibited	1000000	64	0000001	Setting inhibited	1000001	65	0000010	2	1000010	66	0000011	3	1000011	67	0000100	4	1000100	68	0000101	5	1000101	69	:	:	:	:	:	:	:	:	0111101	61	1111101	125	0111110	62	1111110	109.5	0111111	63	1111111	127	HBP [4:0]	Number of HSYNC of front/back porch	00000	Setting inhibited	00001	Setting inhibited	00010	2	00011	3	00100	4	00101	5	:	:	:	:	11101	30	11110	31	11111	32
	VFP [6:0] VBP [6:0]	Number of HSYNC of front/back porch	VFP [6:0] VBP [6:0]	Number of HSYNC of front/back porch																																																																																	
	0000000	Setting inhibited	1000000	64																																																																																	
	0000001	Setting inhibited	1000001	65																																																																																	
	0000010	2	1000010	66																																																																																	
	0000011	3	1000011	67																																																																																	
	0000100	4	1000100	68																																																																																	
	0000101	5	1000101	69																																																																																	
	:	:	:	:																																																																																	
	:	:	:	:																																																																																	
	0111101	61	1111101	125																																																																																	
	0111110	62	1111110	109.5																																																																																	
	0111111	63	1111111	127																																																																																	
	HBP [4:0]	Number of HSYNC of front/back porch																																																																																			
	00000	Setting inhibited																																																																																			
00001	Setting inhibited																																																																																				
00010	2																																																																																				
00011	3																																																																																				
00100	4																																																																																				
00101	5																																																																																				
:	:																																																																																				
:	:																																																																																				
11101	30																																																																																				
11110	31																																																																																				
11111	32																																																																																				
Restriction	EXTC should be high to enable this command																																																																																				

Register Availability	<table border="1"> <thead> <tr> <th>Status</th> <th>Availability</th> </tr> </thead> <tbody> <tr> <td>Normal Mode On, Idle Mode Off, Sleep Out</td> <td>Yes</td> </tr> <tr> <td>Normal Mode On, Idle Mode On, Sleep Out</td> <td>Yes</td> </tr> <tr> <td>Partial Mode On, Idle Mode Off, Sleep Out</td> <td>Yes</td> </tr> <tr> <td>Partial Mode On, Idle Mode On, Sleep Out</td> <td>Yes</td> </tr> <tr> <td>Sleep In</td> <td>Yes</td> </tr> </tbody> </table>		Status	Availability	Normal Mode On, Idle Mode Off, Sleep Out	Yes	Normal Mode On, Idle Mode On, Sleep Out	Yes	Partial Mode On, Idle Mode Off, Sleep Out	Yes	Partial Mode On, Idle Mode On, Sleep Out	Yes	Sleep In	Yes								
	Status	Availability																				
	Normal Mode On, Idle Mode Off, Sleep Out	Yes																				
	Normal Mode On, Idle Mode On, Sleep Out	Yes																				
	Partial Mode On, Idle Mode Off, Sleep Out	Yes																				
	Partial Mode On, Idle Mode On, Sleep Out	Yes																				
Sleep In	Yes																					
Default	<table border="1"> <thead> <tr> <th rowspan="2">Status</th> <th colspan="3">Default Value</th> </tr> <tr> <th>VFP [6:0]</th> <th>VBP [6:0]</th> <th>HBP [4:0]</th> </tr> </thead> <tbody> <tr> <td>Power On Sequence</td> <td>7'h08</td> <td>7'h02</td> <td>5'h14</td> </tr> <tr> <td>SW Reset</td> <td>7'h08</td> <td>7'h02</td> <td>5'h14</td> </tr> <tr> <td>HW Reset</td> <td>7'h08</td> <td>7'h02</td> <td>5'h14</td> </tr> </tbody> </table>			Status	Default Value			VFP [6:0]	VBP [6:0]	HBP [4:0]	Power On Sequence	7'h08	7'h02	5'h14	SW Reset	7'h08	7'h02	5'h14	HW Reset	7'h08	7'h02	5'h14
	Status	Default Value																				
		VFP [6:0]	VBP [6:0]	HBP [4:0]																		
	Power On Sequence	7'h08	7'h02	5'h14																		
	SW Reset	7'h08	7'h02	5'h14																		
HW Reset	7'h08	7'h02	5'h14																			

6.3.3. Display Function Control (B6h)

B6h	Display Function Control												
	D/CX	RDX	WRX	D17-8	D7	D6	D5	D4	D3	D2	D1	D0	HEX
Command	0	1	↑	XX	1	0	1	1	0	1	1	0	B6h
1 st Parameter	1	1	↑	XX	X	X	X	X	X	X	X	X	XX
2 nd Parameter	1	1	↑	XX	X	GS	SS	SM	X				00
3 rd Parameter	1	1	↑	XX	0	0	NL [5:0]					27	

note:the first parameter must write,but it is not valid.

SS: Select the shift direction of outputs from the source driver.

SS	Sourc Output Scan Direction
0	S1 → S720
1	S720 → S1

In addition to the shift direction, the settings for both SS and BGR bits are required to change the assignment of R, G, and B dots to the source driver pins.

To assign R, G, B dots to the source driver pins from S1 to S720, set SS = 0.

To assign R, G, B dots to the source driver pins from S720 to S1, set SS = 1.

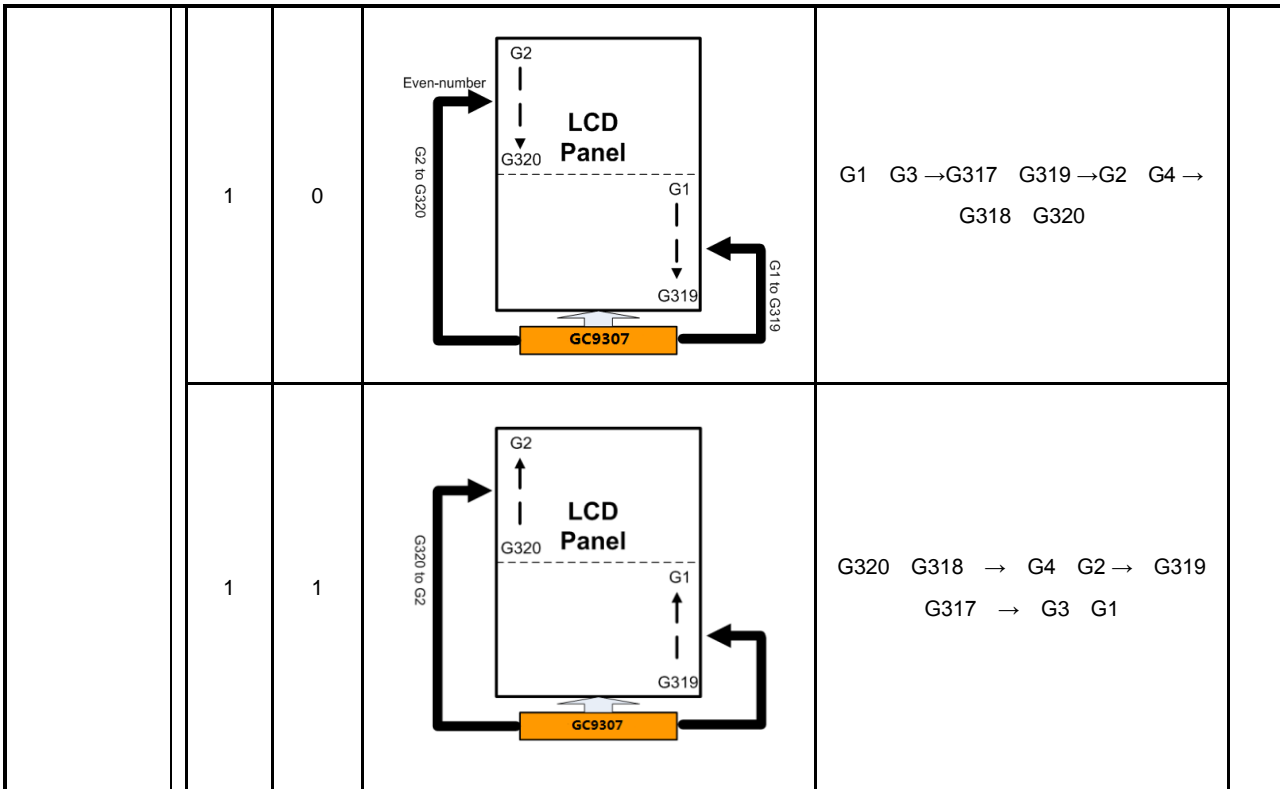
GS: Sets the direction of scan by the gate driver in the range determined by SCN [4:0] and NL [4:0]. The scan direction determined by GS = 0 can be reversed by setting GS = 1.

GS	Gate Output Scan Direction
0	G1→G320
1	G320→G1

SM: Sets the gate driver pin arrangement in combination with the GS bit to select the optimal scan mode for the module

Description

.SM	GS	Scan Direction	Gate Output Sequence
0	0		G1 G2 G3 G4 → G317 G318 G319 G320
0	1		G320 G319 G318 G317 → G4 G3 G2 G1



NL [5:0]: Sets the number of lines to drive the LCD at an interval of 8 lines. The GRAM address mapping is not affected by the number of lines set by NL [5:0]. The number of lines must be the same or more than the number of lines necessary for the size of the liquid crystal panel.

NL [5:0]						LCD Drive Line	NL [5:0]						LCD Drive Line
0	0	0	0	0	0	Setting prohibited	0	1	0	1	0	1	176 lines
0	0	0	0	0	1	16 lines	0	1	0	1	1	0	184 lines
0	0	0	0	1	0	24 lines	0	1	0	1	1	1	192 lines
0	0	0	0	1	1	32 lines	0	1	1	0	0	0	200 lines
0	0	0	1	0	0	40 lines	0	1	1	0	0	1	208 lines
0	0	0	1	0	1	48 lines	0	1	1	0	1	0	216 lines
0	0	0	1	1	0	56 lines	0	1	1	0	1	1	224 lines
0	0	0	1	1	1	64 lines	0	1	1	1	0	0	232 lines
0	0	1	0	0	0	72 lines	0	1	1	1	0	1	240 lines
0	0	1	0	0	1	80 lines	0	1	1	1	1	0	248 lines
0	0	1	0	1	0	88 lines	0	1	1	1	1	1	256 lines
0	0	1	0	1	1	96 lines	1	0	0	0	0	0	264 lines
0	0	1	1	0	0	104 lines	1	0	0	0	0	1	272 lines
0	0	1	1	0	1	112 lines	1	0	0	0	1	0	280 lines
0	0	1	1	1	0	120 lines	1	0	0	0	1	1	288 lines
0	0	1	1	1	1	128 lines	1	0	0	1	0	0	296 lines
0	1	0	0	0	0	136 lines	1	0	0	1	0	1	304 lines

	<table border="1"> <tr> <td>0</td><td>1</td><td>0</td><td>0</td><td>0</td><td>1</td> <td>144 lines</td> <td>1</td><td>0</td><td>0</td><td>1</td><td>1</td><td>0</td> <td>312 lines</td> </tr> <tr> <td>0</td><td>1</td><td>0</td><td>0</td><td>1</td><td>0</td> <td>152 lines</td> <td>1</td><td>0</td><td>0</td><td>1</td><td>1</td><td>1</td> <td>320 lines</td> </tr> <tr> <td>0</td><td>1</td><td>0</td><td>0</td><td>1</td><td>1</td> <td>160 lines</td> <td colspan="5">Others</td> <td>Setting prohibited</td> </tr> </table>	0	1	0	0	0	1	144 lines	1	0	0	1	1	0	312 lines	0	1	0	0	1	0	152 lines	1	0	0	1	1	1	320 lines	0	1	0	0	1	1	160 lines	Others					Setting prohibited
0	1	0	0	0	1	144 lines	1	0	0	1	1	0	312 lines																													
0	1	0	0	1	0	152 lines	1	0	0	1	1	1	320 lines																													
0	1	0	0	1	1	160 lines	Others					Setting prohibited																														
Restriction	EXTC should be high to enable this command																																									
Register Availability	<table border="1"> <thead> <tr> <th>Status</th> <th>Availability</th> </tr> </thead> <tbody> <tr> <td>Normal Mode On, Idle Mode Off, Sleep Out</td> <td>Yes</td> </tr> <tr> <td>Normal Mode On, Idle Mode On, Sleep Out</td> <td>Yes</td> </tr> <tr> <td>Partial Mode On, Idle Mode Off, Sleep Out</td> <td>Yes</td> </tr> <tr> <td>Partial Mode On, Idle Mode On, Sleep Out</td> <td>Yes</td> </tr> <tr> <td>Sleep In</td> <td>Yes</td> </tr> </tbody> </table>	Status	Availability	Normal Mode On, Idle Mode Off, Sleep Out	Yes	Normal Mode On, Idle Mode On, Sleep Out	Yes	Partial Mode On, Idle Mode Off, Sleep Out	Yes	Partial Mode On, Idle Mode On, Sleep Out	Yes	Sleep In	Yes																													
Status	Availability																																									
Normal Mode On, Idle Mode Off, Sleep Out	Yes																																									
Normal Mode On, Idle Mode On, Sleep Out	Yes																																									
Partial Mode On, Idle Mode Off, Sleep Out	Yes																																									
Partial Mode On, Idle Mode On, Sleep Out	Yes																																									
Sleep In	Yes																																									
Default	<table border="1"> <thead> <tr> <th rowspan="2">Status</th> <th colspan="5">Default Value</th> </tr> <tr> <th>-</th> <th>GS</th> <th>SS</th> <th>SM</th> <th>NL[5:0]</th> </tr> </thead> <tbody> <tr> <td>Power On Sequence</td> <td>-</td> <td>1'b0</td> <td>1'b0</td> <td>1'b0</td> <td>6'h27</td> </tr> <tr> <td>HW Reset</td> <td>-</td> <td>1'b0</td> <td>1'b0</td> <td>1'b0</td> <td>6'h27</td> </tr> </tbody> </table>	Status	Default Value					-	GS	SS	SM	NL[5:0]	Power On Sequence	-	1'b0	1'b0	1'b0	6'h27	HW Reset	-	1'b0	1'b0	1'b0	6'h27																		
Status	Default Value																																									
	-	GS	SS	SM	NL[5:0]																																					
Power On Sequence	-	1'b0	1'b0	1'b0	6'h27																																					
HW Reset	-	1'b0	1'b0	1'b0	6'h27																																					

6.3.4. Interface Control (F6h)

F6h	Interface Control																																												
	D/CX	RDX	WRX	D17-8	D7	D6	D5	D4	D3	D2	D1	D0	HEX																																
Command	0	1	↑	XX	1	1	1	1	0	1	1	0	F6h																																
1 st Parameter	1	1	1	XX	1	1	0	0	DM [1:0]		RM	RIM	C0																																
Description	<p>DM [1:0]: Select the display operation mode.</p> <table border="1"> <thead> <tr> <th>DM[1]</th> <th>DM[0]</th> <th>Display Operation Mode</th> </tr> </thead> <tbody> <tr> <td>0</td> <td>0</td> <td>Internal clock operation</td> </tr> <tr> <td>0</td> <td>1</td> <td>RGB Interface Mode</td> </tr> <tr> <td>1</td> <td>0</td> <td>VSYNC interface Mode</td> </tr> <tr> <td>1</td> <td>1</td> <td>Setting disabled</td> </tr> </tbody> </table> <p>RM: Select the interface to access the GRAM. Set RM to "1" when writing display data by the RGB interface.</p> <table border="1"> <thead> <tr> <th>RM</th> <th>Interface for RAM Access</th> </tr> </thead> <tbody> <tr> <td>0</td> <td>System interface/VSYNC interface</td> </tr> <tr> <td>1</td> <td>RGB interface</td> </tr> </tbody> </table> <p>RIM: Specify the RGB interface mode when the RGB interface is used. These bits should be set before display operation through the RGB interface and should not be set during operation.</p> <table border="1"> <thead> <tr> <th>RIM</th> <th>COLMOD [6:4]</th> <th>RGB Interface Mode</th> </tr> </thead> <tbody> <tr> <td rowspan="2">0</td> <td>110 (262K color)</td> <td>18- bit RGB interface (1 transfer/pixel)</td> </tr> <tr> <td>101 (65K color)</td> <td>16- bit RGB interface (1 transfer/pixel)</td> </tr> <tr> <td>1</td> <td>(262K color)</td> <td>6- bit RGB interface (3 transfer/pixel)</td> </tr> </tbody> </table>													DM[1]	DM[0]	Display Operation Mode	0	0	Internal clock operation	0	1	RGB Interface Mode	1	0	VSYNC interface Mode	1	1	Setting disabled	RM	Interface for RAM Access	0	System interface/VSYNC interface	1	RGB interface	RIM	COLMOD [6:4]	RGB Interface Mode	0	110 (262K color)	18- bit RGB interface (1 transfer/pixel)	101 (65K color)	16- bit RGB interface (1 transfer/pixel)	1	(262K color)	6- bit RGB interface (3 transfer/pixel)
	DM[1]	DM[0]	Display Operation Mode																																										
	0	0	Internal clock operation																																										
	0	1	RGB Interface Mode																																										
	1	0	VSYNC interface Mode																																										
1	1	Setting disabled																																											
RM	Interface for RAM Access																																												
0	System interface/VSYNC interface																																												
1	RGB interface																																												
RIM	COLMOD [6:4]	RGB Interface Mode																																											
0	110 (262K color)	18- bit RGB interface (1 transfer/pixel)																																											
	101 (65K color)	16- bit RGB interface (1 transfer/pixel)																																											
1	(262K color)	6- bit RGB interface (3 transfer/pixel)																																											
Restriction	EXTC should be high to enable this command																																												
Register Availability	<table border="1"> <thead> <tr> <th>Status</th> <th>Availability</th> </tr> </thead> <tbody> <tr> <td>Normal Mode On, Idle Mode Off, Sleep Out</td> <td>Yes</td> </tr> <tr> <td>Normal Mode On, Idle Mode On, Sleep Out</td> <td>Yes</td> </tr> <tr> <td>Partial Mode On, Idle Mode Off, Sleep Out</td> <td>Yes</td> </tr> <tr> <td>Partial Mode On, Idle Mode On, Sleep Out</td> <td>Yes</td> </tr> <tr> <td>Sleep In</td> <td>Yes</td> </tr> </tbody> </table>													Status	Availability	Normal Mode On, Idle Mode Off, Sleep Out	Yes	Normal Mode On, Idle Mode On, Sleep Out	Yes	Partial Mode On, Idle Mode Off, Sleep Out	Yes	Partial Mode On, Idle Mode On, Sleep Out	Yes	Sleep In	Yes																				
Status	Availability																																												
Normal Mode On, Idle Mode Off, Sleep Out	Yes																																												
Normal Mode On, Idle Mode On, Sleep Out	Yes																																												
Partial Mode On, Idle Mode Off, Sleep Out	Yes																																												
Partial Mode On, Idle Mode On, Sleep Out	Yes																																												
Sleep In	Yes																																												

Default	Default Value			
	MDT[1:0]	DM [1:0]	RM	RIM
	Power On Sequence	2'b00	2'b00	1'b0
	SW Reset	2'b00	2'b00	1'b0
	HW Reset	2'b00	2'b00	1'b0

6.4. Description of Level 3 Command

6.4.1. Frame Rate (E8h)

E8h	Frame Rate																								
	D/CX	RDX	WRX	D17-8	D7	D6	D5	D4	D3	D2	D1	D0	HEX												
Command	0	1	↑	XX	1	1	1	0	1	0	0	0	E8h												
1 st Parameter	1	1	↑	XX	DINV[3:0]			RTN1[3:0]					11												
2 nd Parameter	1	1	↑	XX	RTN2[7:0]							40													
Description	DINV[3:0] : Set display inversion mode <table border="1" style="margin: 10px auto;"> <thead> <tr> <th>DINV[3:0]</th> <th>Inversion</th> </tr> </thead> <tbody> <tr> <td>0</td> <td>column inversion</td> </tr> <tr> <td>1</td> <td>1 dot inversion</td> </tr> <tr> <td>2</td> <td>2 dot inversion</td> </tr> <tr> <td>3</td> <td>4 dot inversion</td> </tr> <tr> <td>4</td> <td>8 dot inversion</td> </tr> </tbody> </table>													DINV[3:0]	Inversion	0	column inversion	1	1 dot inversion	2	2 dot inversion	3	4 dot inversion	4	8 dot inversion
	DINV[3:0]	Inversion																							
	0	column inversion																							
	1	1 dot inversion																							
	2	2 dot inversion																							
	3	4 dot inversion																							
	4	8 dot inversion																							
	RTN1[3:0]/RTN2[7:0] :Set the frame rate when the internal resistor is used for oscillator circuit. Frame Rate = 47.62KHz/(136*(RTN1+4)+RTN2)																								
	note: set rtn1 =1																								
		rtn2[7:0]	TE(Hz)	rtn2[7:0]	TE(Hz)	rtn2[7:0]	TE(Hz)	rtn2[7:0]	TE(Hz)	rtn2[7:0]	TE(Hz)	rtn2[7:0]	TE(Hz)												
		8'd00	70.0	8'd10	68.4	8'd20	66.9	8'd30	65.4																
		8'd01	69.9	8'd11	68.3	8'd21	66.8	8'd31	65.3																
		8'd02	69.8	8'd12	68.2	8'd22	66.7	8'd32	65.2																
		8'd03	69.7	8'd13	68.1	8'd23	66.6	8'd33	65.1																
		8'd04	69.6	8'd14	68.0	8'd24	66.5	8'd34	65.1																
		8'd05	69.5	8'd15	67.9	8'd25	66.4	8'd35	65.0																
		8'd06	69.4	8'd16	67.8	8'd26	66.3	8'd36	64.9																
		8'd07	69.3	8'd17	67.7	8'd27	66.2	8'd37	64.8																
		8'd08	69.2	8'd18	67.6	8'd28	66.1	8'd38	64.7																
		8'd09	69.1	8'd19	67.5	8'd29	66.0	8'd39	64.6																
	8'd0A	69.0	8'd1A	67.4	8'd2A	66.0	8'd3A	64.5																	
	8'd0B	68.9	8'd1B	67.4	8'd2B	65.9	8'd3B	64.4																	
	8'd0C	68.8	8'd1C	67.3	8'd2C	65.8	8'd3C	64.4																	
	8'd0D	68.7	8'd1D	67.2	8'd2D	65.7	8'd3D	64.3																	
	8'd0E	68.6	8'd1E	67.1	8'd2E	65.6	8'd3E	64.2																	
	8'd0F	68.5	8'd1F	67.0	8'd2F	65.5	8'd3F	64.1																	
	rtn2[7:0]	TE(Hz)	rtn2[7:0]	TE(Hz)	rtn2[7:0]	TE(Hz)	rtn2[7:0]	TE(Hz)	rtn2[7:0]	TE(Hz)	rtn2[7:0]	TE(Hz)													
	8'd40	64.0	8'd50	62.7	8'd60	61.4	8'd70	60.1																	
	8'd41	63.9	8'd51	62.6	8'd61	61.3	8'd71	60.0																	

	8'd42	63.8	8'd52	62.5	8'd62	61.2	8'd72	60.0																			
	8'd44	63.7	8'd55	62.2	8'd66	60.9	8'd77	59.6																			
	8'd44	63.7	8'd54	62.3	8'd64	61.1	8'd74	59.8																			
	8'd45	63.6	8'd55	62.2	8'd65	61.0	8'd75	59.7																			
	8'd46	63.5	8'd56	62.2	8'd66	60.9	8'd76	59.7																			
	8'd47	63.4	8'd57	62.1	8'd67	60.8	8'd77	59.6																			
	8'd48	63.3	8'd58	62.0	8'd68	60.7	8'd78	59.5																			
	8'd49	63.2	8'd59	61.9	8'd69	60.7	8'd79	59.4																			
	8'd4A	63.2	8'd5A	61.8	8'd6A	60.6	8'd7A	59.4																			
	8'd4B	63.1	8'd5B	61.8	8'd6B	60.5	8'd7B	59.3																			
	8'd4C	63.0	8'd5C	61.7	8'd6C	60.4	8'd7C	59.2																			
	8'd4D	62.9	8'd5D	61.6	8'd6D	60.4	8'd7D	59.2																			
	8'd4E	62.8	8'd5E	61.5	8'd6E	60.3	8'd7E	59.1																			
	8'd4F	62.7	8'd5F	61.4	8'd6F	60.2	8'd7F	59.0																			
	rtn2[7:0]	TE(Hz)	rtn2[7:0]	TE(Hz)	rtn2[7:0]	TE(Hz)	rtn2[7:0]	TE(Hz)																			
	8'd80	58.9	8'd84	58.6																							
	8'd81	58.9	8'd85	58.6																							
	8'd82	58.8	8'd86	58.5																							
	8'd83	58.4	8'd87	58.4																							
	note: set rtn2=0x40																										
	rtn1[3:0]	TE(Hz)	rtn1[3:0]	TE(Hz)	rtn1[3:0]	TE(Hz)	rtn1[3:0]	TE(Hz)																			
	8'd00	78.3	8'd04	41.3	8'd08	28.1	8'd0C	21.3																			
	8'd01	64.0	8'd05	37.0	8'd09	26.0	8'd0D	20.0																			
	8'd02	54.1	8'd06	33.4	8'd0A	24.2	8'd0E	19.0																			
	8'd03	46.9	8'd07	30.5	8'd0B	22.6	8'd0F	18.0																			
Restriction	Inter_command should be set high to enable this command																										
Register Availability	<table border="1"> <thead> <tr><th>Status</th><th>Availability</th></tr> </thead> <tbody> <tr><td>Normal Mode On, Idle Mode Off, Sleep Out</td><td>Yes</td></tr> <tr><td>Normal Mode On, Idle Mode On, Sleep Out</td><td>Yes</td></tr> <tr><td>Partial Mode On, Idle Mode Off, Sleep Out</td><td>Yes</td></tr> <tr><td>Partial Mode On, Idle Mode On, Sleep Out</td><td>Yes</td></tr> <tr><td>Sleep In</td><td>Yes</td></tr> </tbody> </table>								Status	Availability	Normal Mode On, Idle Mode Off, Sleep Out	Yes	Normal Mode On, Idle Mode On, Sleep Out	Yes	Partial Mode On, Idle Mode Off, Sleep Out	Yes	Partial Mode On, Idle Mode On, Sleep Out	Yes	Sleep In	Yes							
Status	Availability																										
Normal Mode On, Idle Mode Off, Sleep Out	Yes																										
Normal Mode On, Idle Mode On, Sleep Out	Yes																										
Partial Mode On, Idle Mode Off, Sleep Out	Yes																										
Partial Mode On, Idle Mode On, Sleep Out	Yes																										
Sleep In	Yes																										
Default	<table border="1"> <thead> <tr><th rowspan="2">Status</th><th colspan="3">Default Value</th></tr> <tr><th>DINV[3:0]</th><th>RTN1[3:0]</th><th>RTN2[7:0]</th></tr> </thead> <tbody> <tr><td>Power On Sequence</td><td>4'h1</td><td>4'h1</td><td>8'h40</td></tr> <tr><td>SW Reset</td><td>4'h1</td><td>4'h1</td><td>8'h40</td></tr> <tr><td>HW Reset</td><td>4'h1</td><td>4'h1</td><td>8'h40</td></tr> </tbody> </table>								Status	Default Value			DINV[3:0]	RTN1[3:0]	RTN2[7:0]	Power On Sequence	4'h1	4'h1	8'h40	SW Reset	4'h1	4'h1	8'h40	HW Reset	4'h1	4'h1	8'h40
Status	Default Value																										
	DINV[3:0]	RTN1[3:0]	RTN2[7:0]																								
Power On Sequence	4'h1	4'h1	8'h40																								
SW Reset	4'h1	4'h1	8'h40																								
HW Reset	4'h1	4'h1	8'h40																								

6.4.2. SPI 2DATA control(E9h)

E9h	SPI 2DATA control																										
	D/CX	RDX	WRX	D17-8	D7	D6	D5	D4	D3	D2	D1	D0	HEX														
Command	0	1	↑	XX	1	1	1	0	1	0	0	1	E9h														
1 st Parameter	1	1	↑	XX	X	X	X	X	2data_en	2data_mdt[2:0]		00															
Description	<p>2DATA_EN: Set 2_data_line mode in 3-wire/4-wire SPI.</p> <p>2DATA_MDT[2:0] Set pixel data format in 2_data_line mode.</p>																										
	<table border="1"> <thead> <tr> <th>2DATA_MDT[2:0]</th> <th>Data Format</th> </tr> </thead> <tbody> <tr> <td>000</td> <td>65K color 1pixle/transition</td> </tr> <tr> <td>001</td> <td>262K color 1pixle/transition</td> </tr> <tr> <td>010</td> <td>262K color 2/3pixle/transition</td> </tr> <tr> <td>100</td> <td>4M color 1pixle/transition</td> </tr> <tr> <td>110</td> <td>4M color 2/3pixle/transition</td> </tr> </tbody> </table>													2DATA_MDT[2:0]	Data Format	000	65K color 1pixle/transition	001	262K color 1pixle/transition	010	262K color 2/3pixle/transition	100	4M color 1pixle/transition	110	4M color 2/3pixle/transition		
2DATA_MDT[2:0]	Data Format																										
000	65K color 1pixle/transition																										
001	262K color 1pixle/transition																										
010	262K color 2/3pixle/transition																										
100	4M color 1pixle/transition																										
110	4M color 2/3pixle/transition																										
Restriction	Inter command should be set high to enable this command																										
Register Availability	<table border="1"> <thead> <tr> <th>Status</th> <th>Availability</th> </tr> </thead> <tbody> <tr> <td>Normal Mode On, Idle Mode Off, Sleep Out</td> <td>Yes</td> </tr> <tr> <td>Normal Mode On, Idle Mode On, Sleep Out</td> <td>Yes</td> </tr> <tr> <td>Partial Mode On, Idle Mode Off, Sleep Out</td> <td>Yes</td> </tr> <tr> <td>Partial Mode On, Idle Mode On, Sleep Out</td> <td>Yes</td> </tr> <tr> <td>Sleep In</td> <td>Yes</td> </tr> </tbody> </table>													Status	Availability	Normal Mode On, Idle Mode Off, Sleep Out	Yes	Normal Mode On, Idle Mode On, Sleep Out	Yes	Partial Mode On, Idle Mode Off, Sleep Out	Yes	Partial Mode On, Idle Mode On, Sleep Out	Yes	Sleep In	Yes		
	Status	Availability																									
Normal Mode On, Idle Mode Off, Sleep Out	Yes																										
Normal Mode On, Idle Mode On, Sleep Out	Yes																										
Partial Mode On, Idle Mode Off, Sleep Out	Yes																										
Partial Mode On, Idle Mode On, Sleep Out	Yes																										
Sleep In	Yes																										
Default	<table border="1"> <thead> <tr> <th rowspan="2">Status</th> <th colspan="2">Default Value</th> </tr> <tr> <th>2DATA_EN</th> <th>2DATA_MDT[2:0]</th> </tr> </thead> <tbody> <tr> <td>Power On Sequence</td> <td>1'b0</td> <td>3'b000</td> </tr> <tr> <td>SW Reset</td> <td>1'b0</td> <td>3'b000</td> </tr> <tr> <td>HW Reset</td> <td>1'b0</td> <td>3'b000</td> </tr> </tbody> </table>													Status	Default Value		2DATA_EN	2DATA_MDT[2:0]	Power On Sequence	1'b0	3'b000	SW Reset	1'b0	3'b000	HW Reset	1'b0	3'b000
	Status	Default Value																									
2DATA_EN		2DATA_MDT[2:0]																									
Power On Sequence	1'b0	3'b000																									
SW Reset	1'b0	3'b000																									
HW Reset	1'b0	3'b000																									

6.4.3. Power Control 1 (C1h)

C1h	Power Control 1																					
	D/CX	RDX	WRX	D17-8	D7	D6	D5	D4	D3	D2	D1	D0	HEX									
Command	0	1	↑	XX	1	1	0	0	0	0	0	1	C1h									
1 st Parameter	1	1	1	XX	X	X	X	X	0	0	VCIRE	0	00									
Description	<p>VCIRE: Select the external reference voltage Vci or internal reference voltage VCIR.</p> <table border="1"> <tr> <td>VCIRE=0</td> <td>Internal reference voltage 2.5V (default)</td> </tr> <tr> <td>VCIRE =1</td> <td>External reference voltage Vci</td> </tr> </table>													VCIRE=0	Internal reference voltage 2.5V (default)	VCIRE =1	External reference voltage Vci					
VCIRE=0	Internal reference voltage 2.5V (default)																					
VCIRE =1	External reference voltage Vci																					
Restriction	Inter_command should be set high to enable this command																					
Default	<table border="1"> <thead> <tr> <th rowspan="2">Status</th> <th>Default Value</th> </tr> <tr> <th>VCIRE</th> </tr> </thead> <tbody> <tr> <td>Power On Sequence</td> <td>1'b0</td> </tr> <tr> <td>SW Reset</td> <td>1'b0</td> </tr> <tr> <td>HW Reset</td> <td>1'b0</td> </tr> </tbody> </table>													Status	Default Value	VCIRE	Power On Sequence	1'b0	SW Reset	1'b0	HW Reset	1'b0
Status	Default Value																					
	VCIRE																					
Power On Sequence	1'b0																					
SW Reset	1'b0																					
HW Reset	1'b0																					

6.4.4. Power Control 2 (C3h)

C3h	Power Control 2																																				
	D/CX	RDX	WRX	D17-8	D7	D6	D5	D4	D3	D2	D1	D0	HEX																								
Command	0	1	↑	XX	1	1	0	0	0	0	1	1	C3h																								
1 st Parameter	1	1	↑	XX	X	vreg1_vbp_d[6:0]						3C																									
Description	<p>Set the voltage level value to output the VREG1A and VREG1B OUT level, which is a reference level for the grayscale voltage level.(Table is valid when vrh=0x28)</p> <p>VREG1A=(vrh+vbp_d)*0.02+4</p> <p>VREG1B=vbp_d*0.02+0.3</p> <table border="1"> <thead> <tr> <th>vreg1_vbp_d[6:0]</th> <th>VREG1A/V</th> <th>VREG1B/V</th> </tr> </thead> <tbody> <tr> <td>7'h00</td> <td>4.8</td> <td>0.3</td> </tr> <tr> <td>...</td> <td>...</td> <td>...</td> </tr> <tr> <td>N</td> <td>(N+40)*0.02+4</td> <td>N*0.02+0.3</td> </tr> <tr> <td>...</td> <td>...</td> <td>...</td> </tr> <tr> <td>7'h3C</td> <td>6</td> <td>1.5</td> </tr> <tr> <td>...</td> <td>...</td> <td>...</td> </tr> <tr> <td>7'h7F</td> <td>7.34</td> <td>2.84</td> </tr> </tbody> </table>													vreg1_vbp_d[6:0]	VREG1A/V	VREG1B/V	7'h00	4.8	0.3	N	(N+40)*0.02+4	N*0.02+0.3	7'h3C	6	1.5	7'h7F	7.34	2.84
vreg1_vbp_d[6:0]	VREG1A/V	VREG1B/V																																			
7'h00	4.8	0.3																																			
...																																			
N	(N+40)*0.02+4	N*0.02+0.3																																			
...																																			
7'h3C	6	1.5																																			
...																																			
7'h7F	7.34	2.84																																			
Restriction	Inter_command should be set high to enable this command																																				
Register Availability	<table border="1"> <thead> <tr> <th>Status</th> <th>Availability</th> </tr> </thead> <tbody> <tr> <td>Normal Mode On, Idle Mode Off, Sleep Out</td> <td>Yes</td> </tr> <tr> <td>Normal Mode On, Idle Mode On, Sleep Out</td> <td>Yes</td> </tr> <tr> <td>Partial Mode On, Idle Mode Off, Sleep Out</td> <td>Yes</td> </tr> <tr> <td>Partial Mode On, Idle Mode On, Sleep Out</td> <td>Yes</td> </tr> <tr> <td>Sleep In</td> <td>Yes</td> </tr> </tbody> </table>													Status	Availability	Normal Mode On, Idle Mode Off, Sleep Out	Yes	Normal Mode On, Idle Mode On, Sleep Out	Yes	Partial Mode On, Idle Mode Off, Sleep Out	Yes	Partial Mode On, Idle Mode On, Sleep Out	Yes	Sleep In	Yes												
Status	Availability																																				
Normal Mode On, Idle Mode Off, Sleep Out	Yes																																				
Normal Mode On, Idle Mode On, Sleep Out	Yes																																				
Partial Mode On, Idle Mode Off, Sleep Out	Yes																																				
Partial Mode On, Idle Mode On, Sleep Out	Yes																																				
Sleep In	Yes																																				
Default	<table border="1"> <thead> <tr> <th rowspan="2">Status</th> <th>Default Value</th> </tr> <tr> <th>vreg1_vbp_d[6:0]</th> </tr> </thead> <tbody> <tr> <td>Power On Sequence</td> <td>7h3c</td> </tr> <tr> <td>SW Reset</td> <td>7h3c</td> </tr> <tr> <td>HW Reset</td> <td>7h3c</td> </tr> </tbody> </table>													Status	Default Value	vreg1_vbp_d[6:0]	Power On Sequence	7h3c	SW Reset	7h3c	HW Reset	7h3c															
Status	Default Value																																				
	vreg1_vbp_d[6:0]																																				
Power On Sequence	7h3c																																				
SW Reset	7h3c																																				
HW Reset	7h3c																																				

6.4.5. Power Control 3 (C4h)

C4h	Power Control 3																																				
	D/CX	RDX	WRX	D17-8	D7	D6	D5	D4	D3	D2	D1	D0	HEX																								
Command	0	1	↑	XX	1	1	0	0	0	1	0	0	C4h																								
1 st Parameter	1	1	↑	XX	X	vreg1_vbn_d[6:0]						3C																									
Description	<p>Set the voltage level value to output the VREG2A OUT level, which is a reference level for the grayscale voltage level (Table is valid when vrh=0x28)</p> <p>VREG2A=(vbn_d-vrh)*0.02-3.4</p> <p>VREG2B=vbn_d*0.02+0.3</p> <table border="1"> <thead> <tr> <th>vreg1_vbn_d[6:0]</th> <th>VREG2A/V</th> <th>VREG2B/V</th> </tr> </thead> <tbody> <tr> <td>7'h00</td> <td>-4.2</td> <td>0.3</td> </tr> <tr> <td>...</td> <td>...</td> <td>...</td> </tr> <tr> <td>N</td> <td>N*0.02-4.2</td> <td>N*0.02+0.3</td> </tr> <tr> <td>...</td> <td>...</td> <td>...</td> </tr> <tr> <td>7'h3C</td> <td>-3</td> <td>1.5</td> </tr> <tr> <td>...</td> <td>...</td> <td>...</td> </tr> <tr> <td>7'h7F</td> <td>-1.66</td> <td>2.84</td> </tr> </tbody> </table>													vreg1_vbn_d[6:0]	VREG2A/V	VREG2B/V	7'h00	-4.2	0.3	N	N*0.02-4.2	N*0.02+0.3	7'h3C	-3	1.5	7'h7F	-1.66	2.84
vreg1_vbn_d[6:0]	VREG2A/V	VREG2B/V																																			
7'h00	-4.2	0.3																																			
...																																			
N	N*0.02-4.2	N*0.02+0.3																																			
...																																			
7'h3C	-3	1.5																																			
...																																			
7'h7F	-1.66	2.84																																			
Restriction	Inter_command should be set high to enable this command																																				
Register Availability	<table border="1"> <thead> <tr> <th>Status</th> <th>Availability</th> </tr> </thead> <tbody> <tr> <td>Normal Mode On, Idle Mode Off, Sleep Out</td> <td>Yes</td> </tr> <tr> <td>Normal Mode On, Idle Mode On, Sleep Out</td> <td>Yes</td> </tr> <tr> <td>Partial Mode On, Idle Mode Off, Sleep Out</td> <td>Yes</td> </tr> <tr> <td>Partial Mode On, Idle Mode On, Sleep Out</td> <td>Yes</td> </tr> <tr> <td>Sleep In</td> <td>Yes</td> </tr> </tbody> </table>													Status	Availability	Normal Mode On, Idle Mode Off, Sleep Out	Yes	Normal Mode On, Idle Mode On, Sleep Out	Yes	Partial Mode On, Idle Mode Off, Sleep Out	Yes	Partial Mode On, Idle Mode On, Sleep Out	Yes	Sleep In	Yes												
Status	Availability																																				
Normal Mode On, Idle Mode Off, Sleep Out	Yes																																				
Normal Mode On, Idle Mode On, Sleep Out	Yes																																				
Partial Mode On, Idle Mode Off, Sleep Out	Yes																																				
Partial Mode On, Idle Mode On, Sleep Out	Yes																																				
Sleep In	Yes																																				
Default	<table border="1"> <thead> <tr> <th rowspan="2">Status</th> <th>Default Value</th> </tr> <tr> <th>vreg1_vbn_d[6:0]</th> </tr> </thead> <tbody> <tr> <td>Power On Sequence</td> <td>7'h3C</td> </tr> <tr> <td>SW Reset</td> <td>7'h3C</td> </tr> <tr> <td>HW Reset</td> <td>7'h3C</td> </tr> </tbody> </table>													Status	Default Value	vreg1_vbn_d[6:0]	Power On Sequence	7'h3C	SW Reset	7'h3C	HW Reset	7'h3C															
Status	Default Value																																				
	vreg1_vbn_d[6:0]																																				
Power On Sequence	7'h3C																																				
SW Reset	7'h3C																																				
HW Reset	7'h3C																																				

6.4.6. Power Control 4 (C9h)

C9h	Power Control 4																																				
	D/CX	RDX	WRX	D17-8	D7	D6	D5	D4	D3	D2	D1	D0	HEX																								
Command	0	1	↑	XX	1	1	0	0	1	0	0	1	C9h																								
1 st Parameter	1	1	↑	XX	X	X	vrh[5:0]						28																								
Description	<p>Set the voltage level value to output the VREG1A OUT level, which is a reference level for the grayscale voltage level. (Table is valid when vbp_d=0x3C and vbn_d=0x3C)</p> <p>VREG1A=(vrh+vbp_d)*0.02+4</p> <p>VREG2A=(vbn_d-vrh)*0.02-3.4</p> <table border="1"> <thead> <tr> <th>vrh[5:0]</th> <th>VREG1A/V</th> <th>VREG2A/V</th> </tr> </thead> <tbody> <tr> <td>6'h00</td> <td>5.2</td> <td>-2.2</td> </tr> <tr> <td>...</td> <td>...</td> <td>...</td> </tr> <tr> <td>N</td> <td>(N+60)*0.02+4</td> <td>(100-N)*0.02-4.2</td> </tr> <tr> <td>...</td> <td>...</td> <td>...</td> </tr> <tr> <td>6'h28</td> <td>6</td> <td>-3</td> </tr> <tr> <td>...</td> <td>...</td> <td>...</td> </tr> <tr> <td>6'h3F</td> <td>6.46</td> <td>-3.46</td> </tr> </tbody> </table>													vrh[5:0]	VREG1A/V	VREG2A/V	6'h00	5.2	-2.2	N	(N+60)*0.02+4	(100-N)*0.02-4.2	6'h28	6	-3	6'h3F	6.46	-3.46
vrh[5:0]	VREG1A/V	VREG2A/V																																			
6'h00	5.2	-2.2																																			
...																																			
N	(N+60)*0.02+4	(100-N)*0.02-4.2																																			
...																																			
6'h28	6	-3																																			
...																																			
6'h3F	6.46	-3.46																																			
Restriction	Inter_command should be set high to enable this command																																				
Register Availability	<table border="1"> <thead> <tr> <th>Status</th> <th>Availability</th> </tr> </thead> <tbody> <tr> <td>Normal Mode On, Idle Mode Off, Sleep Out</td> <td>Yes</td> </tr> <tr> <td>Normal Mode On, Idle Mode On, Sleep Out</td> <td>Yes</td> </tr> <tr> <td>Partial Mode On, Idle Mode Off, Sleep Out</td> <td>Yes</td> </tr> <tr> <td>Partial Mode On, Idle Mode On, Sleep Out</td> <td>Yes</td> </tr> <tr> <td>Sleep In</td> <td>Yes</td> </tr> </tbody> </table>													Status	Availability	Normal Mode On, Idle Mode Off, Sleep Out	Yes	Normal Mode On, Idle Mode On, Sleep Out	Yes	Partial Mode On, Idle Mode Off, Sleep Out	Yes	Partial Mode On, Idle Mode On, Sleep Out	Yes	Sleep In	Yes												
Status	Availability																																				
Normal Mode On, Idle Mode Off, Sleep Out	Yes																																				
Normal Mode On, Idle Mode On, Sleep Out	Yes																																				
Partial Mode On, Idle Mode Off, Sleep Out	Yes																																				
Partial Mode On, Idle Mode On, Sleep Out	Yes																																				
Sleep In	Yes																																				
Default	<table border="1"> <thead> <tr> <th rowspan="2">Status</th> <th>Default Value</th> </tr> <tr> <th>vrh[5:0]</th> </tr> </thead> <tbody> <tr> <td>Power On Sequence</td> <td>6'h28</td> </tr> <tr> <td>SW Reset</td> <td>6'h28</td> </tr> <tr> <td>HW Reset</td> <td>6'h28</td> </tr> </tbody> </table>													Status	Default Value	vrh[5:0]	Power On Sequence	6'h28	SW Reset	6'h28	HW Reset	6'h28															
Status	Default Value																																				
	vrh[5:0]																																				
Power On Sequence	6'h28																																				
SW Reset	6'h28																																				
HW Reset	6'h28																																				

6.4.7. Power Control 6 (ECh)

ECh	Power Control 6												
	D/CX	RDX	WRX	D17-8	D7	D6	D5	D4	D3	D2	D1	D0	HEX
Command	0	1	↑	XX	1	1	1	0	1	1	0	0	ECh
1 st Parameter	1	1	↑	XX		avdd_clk_ad[2:0]				avee_clk_ad[2:0]			33
2 st Parameter	1	1	↑	XX						vcl_clk_ad[2:0]			02
3 st Parameter	1	1	↑	XX		vgh_clk_ad[3:0]				vgl_clk_ad[3:0]			88
Description	Set the ChargePump frequency output(Fosc is equal to RC oscillator)												
	vcl_clk_ad[2:0]		vcl_clk(Mhz)			avee_clk_ad[2:0]		avee_clk(Mhz)		avdd_clk_ad[2:0]		avdd_clk(Mhz)	
	3'h00		Fosc*(3/4)			3'h00		Fosc*(2/4)		3'h00		Fosc*(2/4)	
	3'h01		Fosc*(4/4)			3'h01		Fosc*(3/4)		3'h01		Fosc*(3/4)	
	3'h02		Fosc*(5/4)			3'h02		Fosc*(4/4)		3'h02		Fosc*(4/4)	
	3'h03		Fosc*(6/4)			3'h03		Fosc*(5/4)		3'h03		Fosc*(5/4)	
	3'h04		Fosc*(7/4)			3'h04		Fosc*(6/4)		3'h04		Fosc*(6/4)	
	3'h05		Fosc*(8/4)			3'h05		Fosc*(7/4)		3'h05		Fosc*(7/4)	
	3'h06		Fosc*(9/4)			3'h06		Fosc*(8/4)		3'h06		Fosc*(8/4)	
	3'h07		Fosc*(10/4)			3'h07		Fosc*(9/4)		3'h07		Fosc*(9/4)	
	vgh_clk_ad[3:0]	vgh_clk(Mhz)	vgh_clk_ad[3:0]	vgh_clk(Mhz)	vgl_clk_ad[3:0]	vgl_clk(Mhz)	vgl_clk_ad[3:0]	vgl_clk(Mhz)					
	4'h00	Fosc*(5/4)	4'h08	Fosc*(20/4)	4'h00	Fosc*(5/4)	4'h08	Fosc*(20/4)					
	4'h01	Fosc*(6/4)	4'h09	Fosc*(22/4)	4'h01	Fosc*(6/4)	4'h09	Fosc*(22/4)					
	4'h02	Fosc*(8/4)	4'h0a	Fosc*(24/4)	4'h02	Fosc*(8/4)	4'h0a	Fosc*(24/4)					
	4'h03	Fosc*(10/4)	4'h0b	Fosc*(26/4)	4'h03	Fosc*(10/4)	4'h0b	Fosc*(26/4)					
	4'h04	Fosc*(12/4)	4'h0c	Fosc*(28/4)	4'h04	Fosc*(12/4)	4'h0c	Fosc*(28/4)					
	4'h05	Fosc*(14/4)	4'h0d	Fosc*(30/4)	4'h05	Fosc*(14/4)	4'h0d	Fosc*(30/4)					
	4'h06	Fosc*(16/4)	4'h0e	Fosc*(40/4)	4'h06	Fosc*(16/4)	4'h0e	Fosc*(40/4)					
4'h07	Fosc*(18/4)	4'h0f	Fosc*(50/4)	4'h07	Fosc*(18/4)	4'h0f	Fosc*(50/4)						
Restriction	Inter_command should be set high to enable this command												
Register Availability	Status						Availability						
	Normal Mode On, Idle Mode Off, Sleep Out						Yes						
	Normal Mode On, Idle Mode On, Sleep Out						Yes						
	Partial Mode On, Idle Mode Off, Sleep Out						Yes						
	Partial Mode On, Idle Mode On, Sleep Out						Yes						
	Sleep In						Yes						

Status	Default Value				
	avdd_clk_ad[2:0]	avee_clk_ad[2:0]	vc1_clk_ad[2:0]	vgh_clk_ad[3:0]	vgl_clk_ad[3:0]
Power On Sequence	3'h3	3'h3	3'h2	4'h8	4'h8
SW Reset	3'h3	3'h3	3'h2	4'h8	4'h8
HW Reset	3'h3	3'h3	3'h2	4'h8	4'h8

6.4.8. Power Control 7(A7h)

A7h	Power Control 7																																																
	D/CX	RDX	WRX	D17-8	D7	D6	D5	D4	D3	D2	D1	D0	HEX																																				
Command	0	1	↑	XX	1	0	1	0	0	1	1	1	A7h																																				
1 st Parameter	1	1	↑	XX	0	1	0	0	vdd_ad[3:0]			48																																					
Description	vdd_ad : Set the voltage level value to output the VCORE level, <table border="1" style="margin-left: auto; margin-right: auto;"> <thead> <tr> <th>vdd_ad[3:0]</th> <th>VCORE(V)</th> <th>vdd_ad[3:0]</th> <th>VCORE(V)</th> </tr> </thead> <tbody> <tr> <td>4'h00</td> <td>1.483</td> <td>4'h08</td> <td>1.994</td> </tr> <tr> <td>4'h01</td> <td>1.545</td> <td>4'h09</td> <td>2.109</td> </tr> <tr> <td>4'h02</td> <td>1.590</td> <td>4'h0a</td> <td>2.193</td> </tr> <tr> <td>4'h03</td> <td>1.638</td> <td>4'h0b</td> <td>2.286</td> </tr> <tr> <td>4'h04</td> <td>1.714</td> <td>4'h0c</td> <td>2.385</td> </tr> <tr> <td>4'h05</td> <td>1.279</td> <td>4'h0d</td> <td>1.713</td> </tr> <tr> <td>4'h06</td> <td>1.859</td> <td>4'h0e</td> <td>1.713</td> </tr> <tr> <td>4'h07</td> <td>1.925</td> <td>4'h0f</td> <td>1.713</td> </tr> </tbody> </table>													vdd_ad[3:0]	VCORE(V)	vdd_ad[3:0]	VCORE(V)	4'h00	1.483	4'h08	1.994	4'h01	1.545	4'h09	2.109	4'h02	1.590	4'h0a	2.193	4'h03	1.638	4'h0b	2.286	4'h04	1.714	4'h0c	2.385	4'h05	1.279	4'h0d	1.713	4'h06	1.859	4'h0e	1.713	4'h07	1.925	4'h0f	1.713
	vdd_ad[3:0]	VCORE(V)	vdd_ad[3:0]	VCORE(V)																																													
	4'h00	1.483	4'h08	1.994																																													
	4'h01	1.545	4'h09	2.109																																													
	4'h02	1.590	4'h0a	2.193																																													
	4'h03	1.638	4'h0b	2.286																																													
	4'h04	1.714	4'h0c	2.385																																													
	4'h05	1.279	4'h0d	1.713																																													
	4'h06	1.859	4'h0e	1.713																																													
	4'h07	1.925	4'h0f	1.713																																													
Restriction	Inter_command should be set high to enable this command																																																
Register Availability	<table border="1" style="margin-left: auto; margin-right: auto;"> <thead> <tr> <th>Status</th> <th>Availability</th> </tr> </thead> <tbody> <tr> <td>Normal Mode On, Idle Mode Off, Sleep Out</td> <td>Yes</td> </tr> <tr> <td>Normal Mode On, Idle Mode On, Sleep Out</td> <td>Yes</td> </tr> <tr> <td>Partial Mode On, Idle Mode Off, Sleep Out</td> <td>Yes</td> </tr> <tr> <td>Partial Mode On, Idle Mode On, Sleep Out</td> <td>Yes</td> </tr> <tr> <td>Sleep In</td> <td>Yes</td> </tr> </tbody> </table>												Status	Availability	Normal Mode On, Idle Mode Off, Sleep Out	Yes	Normal Mode On, Idle Mode On, Sleep Out	Yes	Partial Mode On, Idle Mode Off, Sleep Out	Yes	Partial Mode On, Idle Mode On, Sleep Out	Yes	Sleep In	Yes																									
	Status	Availability																																															
	Normal Mode On, Idle Mode Off, Sleep Out	Yes																																															
	Normal Mode On, Idle Mode On, Sleep Out	Yes																																															
	Partial Mode On, Idle Mode Off, Sleep Out	Yes																																															
	Partial Mode On, Idle Mode On, Sleep Out	Yes																																															
Sleep In	Yes																																																
Default	<table border="1" style="margin-left: auto; margin-right: auto;"> <thead> <tr> <th rowspan="2">Status</th> <th>Default Value</th> </tr> <tr> <th>vdd_ad[3:0]</th> </tr> </thead> <tbody> <tr> <td>Power On Sequence</td> <td>4'b48</td> </tr> <tr> <td>SW Reset</td> <td>4'b48</td> </tr> <tr> <td>HW Reset</td> <td>4'b48</td> </tr> </tbody> </table>													Status	Default Value	vdd_ad[3:0]	Power On Sequence	4'b48	SW Reset	4'b48	HW Reset	4'b48																											
	Status	Default Value																																															
		vdd_ad[3:0]																																															
	Power On Sequence	4'b48																																															
	SW Reset	4'b48																																															
HW Reset	4'b48																																																

6.4.9. Inter Register Enable1(FEh)

FEh	Inter register enable 1																								
	D/CX	RDX	WRX	D17-8	D7	D6	D5	D4	D3	D2	D1	D0	HEX												
Command	0	1	↑	XX	1	1	1	1	1	1	1	0	FEh												
Parameter	No Parameter																								
Description	<p>This command is used for Inter_command controlling.</p> <p>To set Inter_command high ,you should write Inter register enable 1 (FEh) and Inter register enable 2 (EFh) continuously.</p> <p>Once Inter_command is set high, only hardware or software reset can turn it to low.</p> <div style="text-align: center;"> <pre> graph TD A([Inter_command is low]) --> B[/write command Inter register enable 1 (FEh)/] B --> C[/write command Inter register enable 2 (EFh)/] C --> D([Inter_command is high]) </pre> </div>																								
Restriction																									
Register Availability	<table border="1" style="margin-left: auto; margin-right: auto;"> <thead> <tr> <th>Status</th> <th>Availability</th> </tr> </thead> <tbody> <tr> <td>Normal Mode On, Idle Mode Off, Sleep Out</td> <td>Yes</td> </tr> <tr> <td>Normal Mode On, Idle Mode On, Sleep Out</td> <td>Yes</td> </tr> <tr> <td>Partial Mode On, Idle Mode Off, Sleep Out</td> <td>Yes</td> </tr> <tr> <td>Partial Mode On, Idle Mode On, Sleep Out</td> <td>Yes</td> </tr> <tr> <td>Sleep In</td> <td>Yes</td> </tr> </tbody> </table>													Status	Availability	Normal Mode On, Idle Mode Off, Sleep Out	Yes	Normal Mode On, Idle Mode On, Sleep Out	Yes	Partial Mode On, Idle Mode Off, Sleep Out	Yes	Partial Mode On, Idle Mode On, Sleep Out	Yes	Sleep In	Yes
Status	Availability																								
Normal Mode On, Idle Mode Off, Sleep Out	Yes																								
Normal Mode On, Idle Mode On, Sleep Out	Yes																								
Partial Mode On, Idle Mode Off, Sleep Out	Yes																								
Partial Mode On, Idle Mode On, Sleep Out	Yes																								
Sleep In	Yes																								
Default																									

6.4.10. Inter Register Enable2(EFh)

EFh	Inter register enable 2												HEX											
	D/CX	RDX	WRX	D17-8	D7	D6	D5	D4	D3	D2	D1	D0	HEX											
Command	0	1	↑	XX	1	1	1	0	1	1	1	1	EFh											
Parameter	No Parameter																							
Description	<p>This command is used for Inter_command controlling.</p> <p>To set Inter_command high ,you should write Inter register enable 1 (FEh) and Inter register enable 2 (EFh) continuously.</p> <p>Once Inter_command is set high, only hardware or software reset can turn it to low.</p> <div style="text-align: center;"> <pre> graph TD A([Inter_command is low]) --> B[/write command Inter register enable 1 (FEh)/] B --> C[/write command Inter register enable 2 (EFh)/] C --> D([Inter_command is high]) </pre> </div>																							
Restriction																								
Register Availability	<table border="1" style="margin-left: auto; margin-right: auto;"> <thead> <tr> <th>Status</th> <th>Availability</th> </tr> </thead> <tbody> <tr> <td>Normal Mode On, Idle Mode Off, Sleep Out</td> <td>Yes</td> </tr> <tr> <td>Normal Mode On, Idle Mode On, Sleep Out</td> <td>Yes</td> </tr> <tr> <td>Partial Mode On, Idle Mode Off, Sleep Out</td> <td>Yes</td> </tr> <tr> <td>Partial Mode On, Idle Mode On, Sleep Out</td> <td>Yes</td> </tr> <tr> <td>Sleep In</td> <td>Yes</td> </tr> </tbody> </table>												Status	Availability	Normal Mode On, Idle Mode Off, Sleep Out	Yes	Normal Mode On, Idle Mode On, Sleep Out	Yes	Partial Mode On, Idle Mode Off, Sleep Out	Yes	Partial Mode On, Idle Mode On, Sleep Out	Yes	Sleep In	Yes
Status	Availability																							
Normal Mode On, Idle Mode Off, Sleep Out	Yes																							
Normal Mode On, Idle Mode On, Sleep Out	Yes																							
Partial Mode On, Idle Mode Off, Sleep Out	Yes																							
Partial Mode On, Idle Mode On, Sleep Out	Yes																							
Sleep In	Yes																							
Default																								

6.4.11. SET_GAMMA1 (F0h)

F0h	SET_GAMMA1																																														
	D/CX	RDX	WRX	D17-8	D7	D6	D5	D4	D3	D2	D1	D0	HEX																																		
Command	0	1	↑	XX	1	1	1	1	0	0	0	0	F0h																																		
1 st Parameter	1	1	↑	XX	dig2gam_dig2j0_n[1:0]	dig2gam_vr1_n[5:0]						80																																			
2 nd Parameter	1	1	↑	XX	dig2gam_dig2j1_n[1:0]	dig2gam_vr2_n[5:0]						03																																			
3 rd Parameter	1	1	↑	XX				dig2gam_vr4_n[4:0]				08																																			
4 th Parameter	1	1	↑	XX				dig2gam_vr6_n[4:0]				06																																			
5 th Parameter	1	1	↑	XX	dig2gam_vr0_n[3:0]			dig2gam_vr13_n[3:0]				05																																			
6 th Parameter	1	1	↑	XX	dig2gam_vr20_n[6:0]						2B																																				
Description	dig2gam_dig2j0_n[1:0]: γ gradient adjustment register for negative polarity dig2gam_dig2j1_n[1:0]: γ gradient adjustment register for negative polarity dig2gam_vr0_n[3:0]: γ gradient adjustment register for negative polarity dig2gam_vr1_n[5:0]: γ gradient adjustment register for negative polarity dig2gam_vr2_n[5:0]: γ gradient adjustment register for negative polarity dig2gam_vr4_n[4:0]: γ gradient adjustment register for negative polarity dig2gam_vr6_n[4:0]: γ gradient adjustment register for negative polarity dig2gam_vr13_n[3:0]: γ gradient adjustment register for negative polarity dig2gam_vr20_n[6:0]: γ gradient adjustment register for negative polarity																																														
Restriction	Inter_command should be set high to enable this command																																														
Register Availability	<table border="1"> <thead> <tr> <th>Status</th> <th>Availability</th> </tr> </thead> <tbody> <tr> <td>Normal Mode On, Idle Mode Off, Sleep Out</td> <td>Yes</td> </tr> <tr> <td>Normal Mode On, Idle Mode On, Sleep Out</td> <td>Yes</td> </tr> <tr> <td>Partial Mode On, Idle Mode Off, Sleep Out</td> <td>Yes</td> </tr> <tr> <td>Partial Mode On, Idle Mode On, Sleep Out</td> <td>Yes</td> </tr> <tr> <td>Sleep In</td> <td>Yes</td> </tr> </tbody> </table>													Status	Availability	Normal Mode On, Idle Mode Off, Sleep Out	Yes	Normal Mode On, Idle Mode On, Sleep Out	Yes	Partial Mode On, Idle Mode Off, Sleep Out	Yes	Partial Mode On, Idle Mode On, Sleep Out	Yes	Sleep In	Yes																						
Status	Availability																																														
Normal Mode On, Idle Mode Off, Sleep Out	Yes																																														
Normal Mode On, Idle Mode On, Sleep Out	Yes																																														
Partial Mode On, Idle Mode Off, Sleep Out	Yes																																														
Partial Mode On, Idle Mode On, Sleep Out	Yes																																														
Sleep In	Yes																																														
Default	<table border="1"> <thead> <tr> <th rowspan="2">Status</th> <th colspan="6">Default Value</th> </tr> <tr> <th>dig2gam_dig2j0_n[1:0]</th> <th>dig2gam_dig2j1_n[1:0]</th> <th>dig2gam_vr0_n[3:0]</th> <th>dig2gam_vr1_n[5:0]</th> <th>dig2gam_vr2_n[5:0]</th> <th>dig2gam_vr4_n[4:0]</th> </tr> </thead> <tbody> <tr> <td>Power On Sequence</td> <td>2'h02</td> <td>2'h00</td> <td>4'h00</td> <td>6'h00</td> <td>6'h03</td> <td>5'h08</td> </tr> <tr> <td>SW Reset</td> <td>2'h02</td> <td>2'h00</td> <td>4'h00</td> <td>6'h00</td> <td>6'h03</td> <td>5'h08</td> </tr> <tr> <td>HW Reset</td> <td>2'h02</td> <td>2'h00</td> <td>4'h00</td> <td>6'h00</td> <td>6'h03</td> <td>5'h08</td> </tr> </tbody> </table>													Status	Default Value						dig2gam_dig2j0_n[1:0]	dig2gam_dig2j1_n[1:0]	dig2gam_vr0_n[3:0]	dig2gam_vr1_n[5:0]	dig2gam_vr2_n[5:0]	dig2gam_vr4_n[4:0]	Power On Sequence	2'h02	2'h00	4'h00	6'h00	6'h03	5'h08	SW Reset	2'h02	2'h00	4'h00	6'h00	6'h03	5'h08	HW Reset	2'h02	2'h00	4'h00	6'h00	6'h03	5'h08
Status	Default Value																																														
	dig2gam_dig2j0_n[1:0]	dig2gam_dig2j1_n[1:0]	dig2gam_vr0_n[3:0]	dig2gam_vr1_n[5:0]	dig2gam_vr2_n[5:0]	dig2gam_vr4_n[4:0]																																									
Power On Sequence	2'h02	2'h00	4'h00	6'h00	6'h03	5'h08																																									
SW Reset	2'h02	2'h00	4'h00	6'h00	6'h03	5'h08																																									
HW Reset	2'h02	2'h00	4'h00	6'h00	6'h03	5'h08																																									

Default	Status	Default Value					
		dig2gam_vr6_n[4:0]	dig2gam_vr13_n[3:0]	dig2gam_vr20_n[6:0]			
	Power On Sequence	5'h06	4'h05	7'h2b			
	SW Reset	5'h06	4'h05	7'h2b			
	HW Reset	5'h06	4'h05	7'h2b			

6.4.12. SET_GAMMA2 (F1h)

F1h	SET_GAMMA2																																														
	D/CX	RDX	WRX	D17-8	D7	D6	D5	D4	D3	D2	D1	D0	HEX																																		
Command	0	1	↑	XX	1	1	1	1	0	0	0	1	F1h																																		
1 st Parameter	1	1	↑	XX	dig2gam_vr43_n[6:0]							41																																			
2 nd Parameter	1	1	↑	XX	dig2gam_vr27_n[2:0]		dig2gam_vr57_n[4:0]					97																																			
3 st Parameter	1	1	↑	XX	dig2gam_vr36_n[2:0]		dig2gam_vr59_n[4:0]					98																																			
4 nd Parameter	1	1	↑	XX	dig2gam_vr61_n[5:0]							13																																			
5 st Parameter	1	1	↑	XX	dig2gam_vr62_n[5:0]							17																																			
6 nd Parameter	1	1	↑	XX	dig2gam_vr50_n[3:0]			dig2gam_vr63_n[3:0]				CD																																			
Description	dig2gam_vr43_p[6:0]: γ gradient adjustment register for negative polarity dig2gam_vr27_p[2:0]: γ gradient adjustment register for negative polarity dig2gam_vr57_p[4:0]: γ gradient adjustment register for negative polarity dig2gam_vr59_p[4:0]: γ gradient adjustment register for negative polarity dig2gam_vr36_p[2:0]: γ gradient adjustment register for negative polarity dig2gam_vr61_p[5:0]: γ gradient adjustment register for negative polarity dig2gam_vr62_p[5:0]: γ gradient adjustment register for negative polarity dig2gam_vr50_p[3:0]: γ gradient adjustment register for negative polarity dig2gam_vr63_p[3:0]: γ gradient adjustment register for negative polarity																																														
Restriction	Inter_command should be set high to enable this command																																														
Register Availability	<table border="1"> <thead> <tr> <th>Status</th> <th>Availability</th> </tr> </thead> <tbody> <tr> <td>Normal Mode On, Idle Mode Off, Sleep Out</td> <td>Yes</td> </tr> <tr> <td>Normal Mode On, Idle Mode On, Sleep Out</td> <td>Yes</td> </tr> <tr> <td>Partial Mode On, Idle Mode Off, Sleep Out</td> <td>Yes</td> </tr> <tr> <td>Partial Mode On, Idle Mode On, Sleep Out</td> <td>Yes</td> </tr> <tr> <td>Sleep In</td> <td>Yes</td> </tr> </tbody> </table>													Status	Availability	Normal Mode On, Idle Mode Off, Sleep Out	Yes	Normal Mode On, Idle Mode On, Sleep Out	Yes	Partial Mode On, Idle Mode Off, Sleep Out	Yes	Partial Mode On, Idle Mode On, Sleep Out	Yes	Sleep In	Yes																						
Status	Availability																																														
Normal Mode On, Idle Mode Off, Sleep Out	Yes																																														
Normal Mode On, Idle Mode On, Sleep Out	Yes																																														
Partial Mode On, Idle Mode Off, Sleep Out	Yes																																														
Partial Mode On, Idle Mode On, Sleep Out	Yes																																														
Sleep In	Yes																																														
Default	<table border="1"> <thead> <tr> <th rowspan="2">Status</th> <th colspan="6">Default Value</th> </tr> <tr> <th>dig2gam_vr43_p[6:0]</th> <th>dig2gam_vr27_p[2:0]</th> <th>dig2gam_vr57_p[4:0]</th> <th>dig2gam_vr59_p[4:0]</th> <th>dig2gam_vr36_p[2:0]</th> <th>dig2gam_vr61_p[5:0]</th> </tr> </thead> <tbody> <tr> <td>Power On Sequence</td> <td>7'h41</td> <td>3'h04</td> <td>5'h17</td> <td>5'h18</td> <td>3'h04</td> <td>6'h13</td> </tr> <tr> <td>SW Reset</td> <td>7'h41</td> <td>3'h04</td> <td>5'h17</td> <td>5'h18</td> <td>3'h04</td> <td>6'h13</td> </tr> <tr> <td>HW Reset</td> <td>7'h41</td> <td>3'h04</td> <td>5'h17</td> <td>5'h18</td> <td>3'h04</td> <td>6'h13</td> </tr> </tbody> </table>													Status	Default Value						dig2gam_vr43_p[6:0]	dig2gam_vr27_p[2:0]	dig2gam_vr57_p[4:0]	dig2gam_vr59_p[4:0]	dig2gam_vr36_p[2:0]	dig2gam_vr61_p[5:0]	Power On Sequence	7'h41	3'h04	5'h17	5'h18	3'h04	6'h13	SW Reset	7'h41	3'h04	5'h17	5'h18	3'h04	6'h13	HW Reset	7'h41	3'h04	5'h17	5'h18	3'h04	6'h13
Status	Default Value																																														
	dig2gam_vr43_p[6:0]	dig2gam_vr27_p[2:0]	dig2gam_vr57_p[4:0]	dig2gam_vr59_p[4:0]	dig2gam_vr36_p[2:0]	dig2gam_vr61_p[5:0]																																									
Power On Sequence	7'h41	3'h04	5'h17	5'h18	3'h04	6'h13																																									
SW Reset	7'h41	3'h04	5'h17	5'h18	3'h04	6'h13																																									
HW Reset	7'h41	3'h04	5'h17	5'h18	3'h04	6'h13																																									

Default	Default Value						
	Status	dig2gam_vr6 2_p[5:0]	dig2gam_vr 50_p[3:0]	dig2gam_vr 63_p[3:0]			
	Power On Sequence	6'h17	4'h0C	4'h0D			
	SW Reset	6'h17	4'h0C	4'h0D			
	HW Reset	6'h17	4'h0C	4'h0D			

6.4.13. SET_GAMMA3 (F2h)

F2h	SET_GAMMA3																																														
	D/CX	RDX	WRX	D17-8	D7	D6	D5	D4	D3	D2	D1	D0	HEX																																		
Command	0	1	↑	XX	1	1	1	1	0	0	1	0	F2h																																		
1 st Parameter	1	1	↑	XX	dig2gam_dig2j0_p[1:0]	dig2gam_vr1_p[5:0]						40																																			
2 nd Parameter	1	1	↑	XX	dig2gam_dig2j1_p[1:0]	dig2gam_vr2_p[5:0]						03																																			
3 rd Parameter	1	1	↑	XX				dig2gam_vr4_p[4:0]				08																																			
4 th Parameter	1	1	↑	XX				dig2gam_vr6_p[4:0]				0B																																			
5 th Parameter	1	1	↑	XX	dig2gam_vr0_p[3:0]			dig2gam_vr13_p[3:0]				08																																			
6 th Parameter	1	1	↑	XX	dig2gam_vr20_p[6:0]						2E																																				
Description	dig2gam_dig2j0_p[1:0]: γ gradient adjustment register for positive polarity dig2gam_dig2j1_p[1:0]: γ gradient adjustment register for positive polarity dig2gam_vr1_p[5:0]: γ gradient adjustment register for positive polarity dig2gam_vr2_p[5:0]: γ gradient adjustment register for positive polarity dig2gam_vr4_p[4:0]: γ gradient adjustment register for positive polarity dig2gam_vr6_p[4:0]: γ gradient adjustment register for positive polarity dig2gam_vr0_p[3:0]: γ gradient adjustment register for positive polarity dig2gam_vr13_p[3:0]: γ gradient adjustment register for positive polarity dig2gam_vr20_p[6:0]: γ gradient adjustment register for positive polarity																																														
Restriction	Inter_command should be set high to enable this command																																														
Register Availability	<table border="1"> <thead> <tr> <th>Status</th> <th>Availability</th> </tr> </thead> <tbody> <tr> <td>Normal Mode On, Idle Mode Off, Sleep Out</td> <td>Yes</td> </tr> <tr> <td>Normal Mode On, Idle Mode On, Sleep Out</td> <td>Yes</td> </tr> <tr> <td>Partial Mode On, Idle Mode Off, Sleep Out</td> <td>Yes</td> </tr> <tr> <td>Partial Mode On, Idle Mode On, Sleep Out</td> <td>Yes</td> </tr> <tr> <td>Sleep In</td> <td>Yes</td> </tr> </tbody> </table>													Status	Availability	Normal Mode On, Idle Mode Off, Sleep Out	Yes	Normal Mode On, Idle Mode On, Sleep Out	Yes	Partial Mode On, Idle Mode Off, Sleep Out	Yes	Partial Mode On, Idle Mode On, Sleep Out	Yes	Sleep In	Yes																						
Status	Availability																																														
Normal Mode On, Idle Mode Off, Sleep Out	Yes																																														
Normal Mode On, Idle Mode On, Sleep Out	Yes																																														
Partial Mode On, Idle Mode Off, Sleep Out	Yes																																														
Partial Mode On, Idle Mode On, Sleep Out	Yes																																														
Sleep In	Yes																																														
Default	<table border="1"> <thead> <tr> <th rowspan="2">Status</th> <th colspan="6">Default Value</th> </tr> <tr> <th>dig2gam_dig2j0_p[1:0]</th> <th>dig2gam_dig2j1_p[1:0]</th> <th>dig2gam_vr1_p[5:0]</th> <th>dig2gam_vr2_p[5:0]</th> <th>dig2gam_vr4_p[4:0]</th> <th>dig2gam_vr6_p[4:0]</th> </tr> </thead> <tbody> <tr> <td>Power On Sequence</td> <td>2'h01</td> <td>2'h00</td> <td>6'h00</td> <td>6'h03</td> <td>5'h08</td> <td>5'h0B</td> </tr> <tr> <td>SW Reset</td> <td>2'h01</td> <td>2'h00</td> <td>6'h00</td> <td>6'h03</td> <td>5'h08</td> <td>5'h0B</td> </tr> <tr> <td>HW Reset</td> <td>2'h01</td> <td>2'h00</td> <td>6'h00</td> <td>6'h03</td> <td>5'h08</td> <td>5'h0B</td> </tr> </tbody> </table>													Status	Default Value						dig2gam_dig2j0_p[1:0]	dig2gam_dig2j1_p[1:0]	dig2gam_vr1_p[5:0]	dig2gam_vr2_p[5:0]	dig2gam_vr4_p[4:0]	dig2gam_vr6_p[4:0]	Power On Sequence	2'h01	2'h00	6'h00	6'h03	5'h08	5'h0B	SW Reset	2'h01	2'h00	6'h00	6'h03	5'h08	5'h0B	HW Reset	2'h01	2'h00	6'h00	6'h03	5'h08	5'h0B
Status	Default Value																																														
	dig2gam_dig2j0_p[1:0]	dig2gam_dig2j1_p[1:0]	dig2gam_vr1_p[5:0]	dig2gam_vr2_p[5:0]	dig2gam_vr4_p[4:0]	dig2gam_vr6_p[4:0]																																									
Power On Sequence	2'h01	2'h00	6'h00	6'h03	5'h08	5'h0B																																									
SW Reset	2'h01	2'h00	6'h00	6'h03	5'h08	5'h0B																																									
HW Reset	2'h01	2'h00	6'h00	6'h03	5'h08	5'h0B																																									

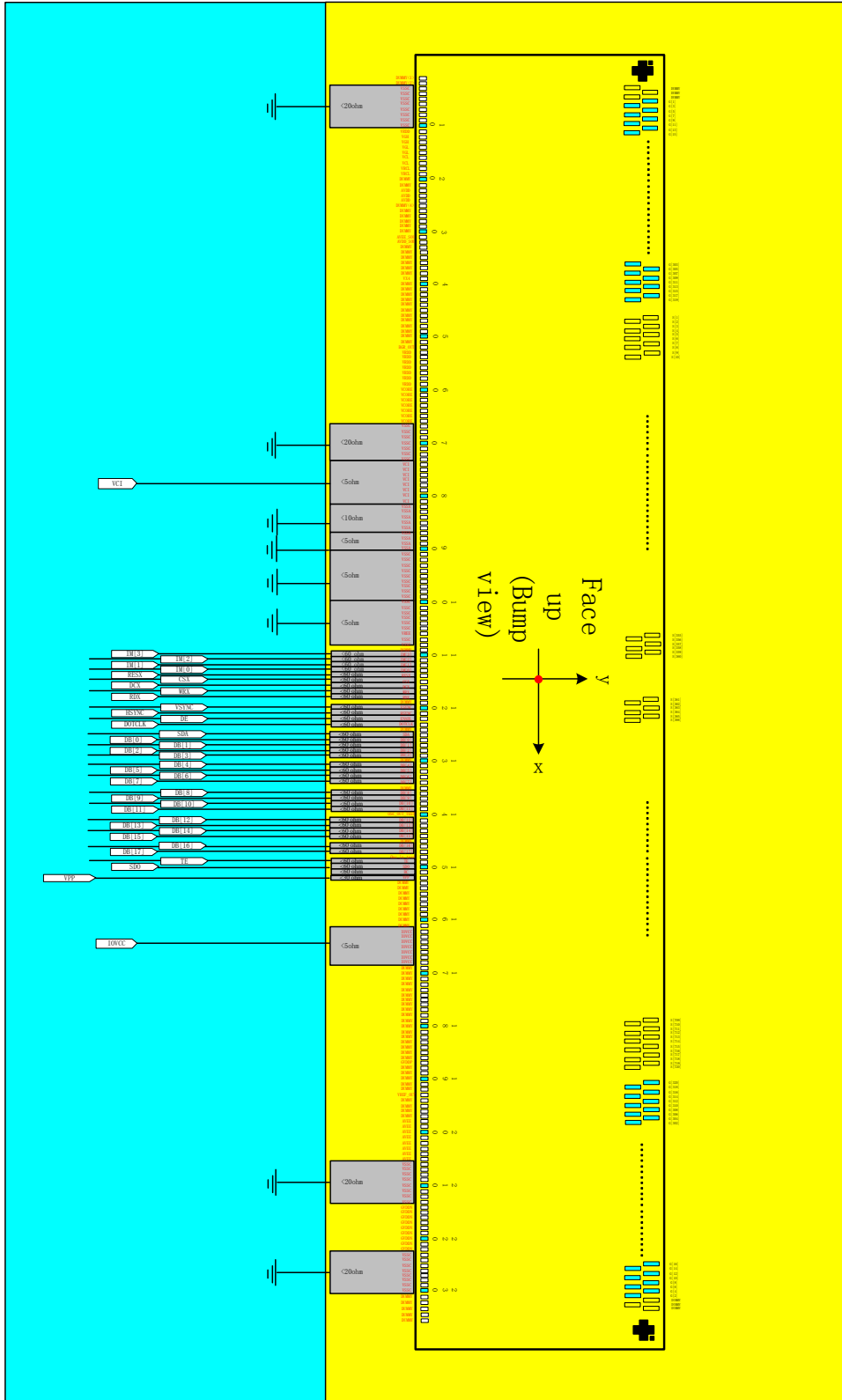
Default	Default Value						
	Status	dig2gam_vr0_p[3:0]	dig2gam_vr13_p[3:0]	dig2gam_vr20_p[6:0]			
	Power On Sequence	4'h00	4'h08	7'h2E			
	SW Reset	4'h00	4'h08	7'h2E			
	HW Reset	4'h00	4'h08	7'h2E			

6.4.14. SET_GAMMA4 (F3h)

F3h	SET_GAMMA4																																														
	D/CX	RDX	WRX	D17-8	D7	D6	D5	D4	D3	D2	D1	D0	HEX																																		
Command	0	1	↑	XX	1	1	1	1	0	0	1	1	F3h																																		
1 st Parameter	1	1	↑	XX	dig2gam_vr43_p[6:0]							3F																																			
2 nd Parameter	1	1	↑	XX	dig2gam_vr27_p[2:0]		dig2gam_vr57_p[4:0]					98																																			
3 rd Parameter	1	1	↑	XX	dig2gam_vr36_p[2:0]		dig2gam_vr59_p[4:0]					B4																																			
4 th Parameter	1	1	↑	XX	dig2gam_vr61_p[5:0]							14																																			
5 th Parameter	1	1	↑	XX	dig2gam_vr62_p[5:0]							18																																			
6 th Parameter	1	1	↑	XX	dig2gam_vr50_p[3:0]			dig2gam_vr63_p[3:0]				CD																																			
Description	dig2gam_vr43_p[6:0]: γ gradient adjustment register for positive polarity dig2gam_vr27_p[2:0]: γ gradient adjustment register for positive polarity dig2gam_vr57_p[4:0]: γ gradient adjustment register for positive polarity dig2gam_vr36_p[2:0]: γ gradient adjustment register for positive polarity dig2gam_vr59_p[4:0]: γ gradient adjustment register for positive polarity dig2gam_vr61_p[5:0]: γ gradient adjustment register for positive polarity dig2gam_vr62_p[5:0]: γ gradient adjustment register for positive polarity dig2gam_vr50_p[3:0]: γ gradient adjustment register for positive polarity dig2gam_vr63_p[3:0]: γ gradient adjustment register for positive polarity																																														
Restriction	Inter_command should be set high to enable this command																																														
Register Availability	<table border="1"> <thead> <tr> <th>Status</th> <th>Avail bility</th> </tr> </thead> <tbody> <tr> <td>Normal Mode On, Idle Mode Off, Sleep Out</td> <td>Yes</td> </tr> <tr> <td>Normal Mode On, Idle Mode On, Sleep Out</td> <td>Yes</td> </tr> <tr> <td>Partial Mode On, Idle Mode Off, Sleep Out</td> <td>Yes</td> </tr> <tr> <td>Partial Mode On, Idle Mode On, Sleep Out</td> <td>Yes</td> </tr> <tr> <td>Sleep In</td> <td>Yes</td> </tr> </tbody> </table>													Status	Avail bility	Normal Mode On, Idle Mode Off, Sleep Out	Yes	Normal Mode On, Idle Mode On, Sleep Out	Yes	Partial Mode On, Idle Mode Off, Sleep Out	Yes	Partial Mode On, Idle Mode On, Sleep Out	Yes	Sleep In	Yes																						
Status	Avail bility																																														
Normal Mode On, Idle Mode Off, Sleep Out	Yes																																														
Normal Mode On, Idle Mode On, Sleep Out	Yes																																														
Partial Mode On, Idle Mode Off, Sleep Out	Yes																																														
Partial Mode On, Idle Mode On, Sleep Out	Yes																																														
Sleep In	Yes																																														
Default	<table border="1"> <thead> <tr> <th rowspan="2">Status</th> <th colspan="6">Default Value</th> </tr> <tr> <th>dig2gam_vr43_p[6:0]</th> <th>dig2gam_vr27_p[2:0]</th> <th>dig2gam_vr57_p[4:0]</th> <th>dig2gam_vr36_p[2:0]</th> <th>dig2gam_vr59_p[4:0]</th> <th>dig2gam_vr61_p[5:0]</th> </tr> </thead> <tbody> <tr> <td>Power On Sequence</td> <td>7'h3F</td> <td>3'h04</td> <td>5'h18</td> <td>3'h05</td> <td>5'h14</td> <td>6'h14</td> </tr> <tr> <td>SW Reset</td> <td>7'h3F</td> <td>3'h04</td> <td>5'h18</td> <td>3'h05</td> <td>5'h14</td> <td>6'h14</td> </tr> <tr> <td>HW Reset</td> <td>7'h3F</td> <td>3'h04</td> <td>5'h18</td> <td>3'h05</td> <td>5'h14</td> <td>6'h14</td> </tr> </tbody> </table>													Status	Default Value						dig2gam_vr43_p[6:0]	dig2gam_vr27_p[2:0]	dig2gam_vr57_p[4:0]	dig2gam_vr36_p[2:0]	dig2gam_vr59_p[4:0]	dig2gam_vr61_p[5:0]	Power On Sequence	7'h3F	3'h04	5'h18	3'h05	5'h14	6'h14	SW Reset	7'h3F	3'h04	5'h18	3'h05	5'h14	6'h14	HW Reset	7'h3F	3'h04	5'h18	3'h05	5'h14	6'h14
Status	Default Value																																														
	dig2gam_vr43_p[6:0]	dig2gam_vr27_p[2:0]	dig2gam_vr57_p[4:0]	dig2gam_vr36_p[2:0]	dig2gam_vr59_p[4:0]	dig2gam_vr61_p[5:0]																																									
Power On Sequence	7'h3F	3'h04	5'h18	3'h05	5'h14	6'h14																																									
SW Reset	7'h3F	3'h04	5'h18	3'h05	5'h14	6'h14																																									
HW Reset	7'h3F	3'h04	5'h18	3'h05	5'h14	6'h14																																									

Default	Default Value						
	Status	dig2gam_vr6 2_p[5:0]	dig2gam_vr 50_p[3:0]	dig2gam_vr 63_p[3:0]			
	Power On Sequence	6'h18	4'h0C	4'h0D			
	SW Reset	6'h18	4'h0C	4'h0D			
	HW Reset	6'h18	4'h0C	4'h0D			

7. Application



8. Electrical Characteristics

8.1. Absolute Maximum Ratings

The absolute maximum rating is listed on following table. When GC9307 is used out of the absolute maximum ratings, GC9307 may be permanently damaged. To use GC9307 within the following electrical characteristics limitation is strongly recommended for normal operation. If these electrical characteristic conditions are exceeded during normal operation, GC9307 will malfunction and cause poor reliability.

Table43.

Item	Symbol	Unit	Value
Supply voltage	VCI	V	-0.3~+4.6
Supply voltage(Logic)	IOVCC	V	-0.3~+4.6
Supply voltage(Digital)	VCORE	V	-0.3~+2.0
Driver supply voltage	VGH-VGL	V	-0.3~+32.0
Logic input voltage range	VIN	V	-0.3~IOVCC+0.3
Logic output voltage range	VO	V	-0.3~IOVCC+0.3
Operation temperature	Topr	°C	-40~+85
Storage temperature	Tstg	°C	-55~+110

Note: If the absolute maximum rating of even is one of the above parameters is exceeded even momentarily, the quality of the product may be degraded. Absolute maximum ratings, therefore specify the values exceeding which the product may be physically damaged. Be sure to use the product within the range of the absolute maximum ratings.

8.2. DC Characteristics

General DC Characteristics

Table44.

Item	Symbol	Unit	Condition	Min.	Typ.	Max.	Note
Power and Operation Voltage							
Analog Operating Voltage	VCI	V	Operating voltage	2.5	2.8	3.3	Note2
Logic Operating Voltage	IOVCC	V	I/O supply voltage	1.65	2.8	3.3	Note2
Digital Operating voltage	VCORE	V	Digital supply voltage	-	1.34	-	Note2
Gate Driver High Voltage	VGH	V	-	10.0	-	12.0	Note3
Gate Driver Low Voltage	VGL	V	-	-11.0	-	-9.0	Note3
Driver Supply Voltage	-	V	VGH-VGL	19	-	23	Note3
Input and Output							
Logic High Level Input Voltage	VIH	V	-	0.7*IOVCC	-	IOVCC	Note1,2,3
Logic Low Level Input Voltage	VIL	V	-	VSSC	-	0.3*IOVCC	Note1,2,3
Logic High Level Output Voltage	VOH	V	IOL=-1.0mA	0.8*IOVCC	-	IOVCC	Note1,2,3
Logic Low Level Output Voltage	VOL	V	IOL=1.0mA	VSSC	-	0.2*IOVCC	Note1,2,3
Logic High Level Input Current	IIH	uA	-	-	-	1	Note1,2,3
Logic Low Level Input Current	IIL	uA	-	-1	-	-	Note1,2,3
Logic Input Leakage Current	ILEA	uA	VIN=IOVCC or VSSC	-0.1	-	+0.1	Note1,2,3
Source Driver							
Source Output Range	Vsout	V	-	VREG2	-	VREG1	Note4

Note 1: IOVCC=1.65 to 3.3V, VCI=2.5 to 3.3V, AGND=VSS=0V, Ta=-30 to 70 (to +85 no damage)°C

Note2: Please supply digital IOVCC voltage equal or less than analog VCI voltage.

Note3: CSX, RDX, WRX, D[17:0], D/CX, RESX, TE, DOTCLK, VSYNC, HSYNC, DE, SDA, SCL, IM3, IM2, IM1, IM0, and Test pins.

Note4: When the measurements are performed with LCD module. Measurement Points are like Note3.

Note5: VCI=2.6V

Note6: VCI=3.3V

Note7: The Max. Value is between with Note 4 measure point and Gamma setting value

8.3. AC Characteristics

8.3.1. Display Parallel 18/16/9/8-bit Interface Timing Characteristics (8080-

I)

Figure90.

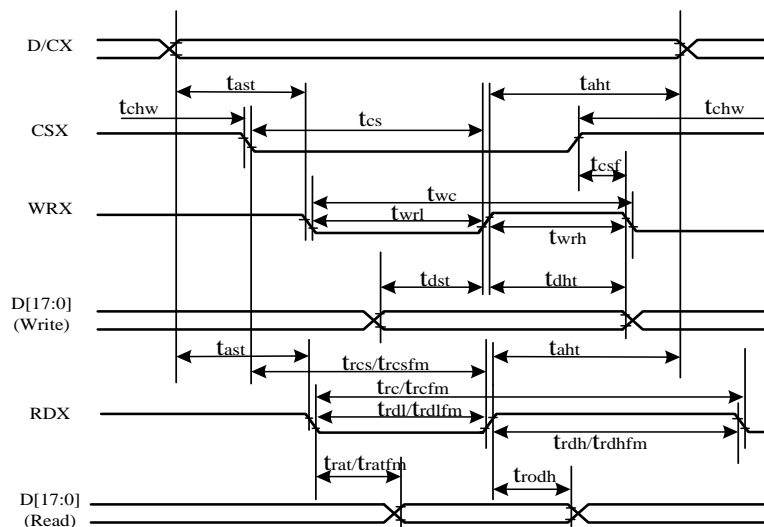


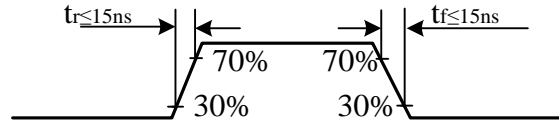
Table45.

Signal	Symbol	Parameter	min	max	Unit	Description
DCX	tast	Address setup time	0	-	ns	
	taht	Address hold time(Write/Read)	0	-	ns	
CSX	tchw	CSX "H" pulse width	0	-	ns	
	tcs	Chip Select setup time(Write)	15	-	ns	
	trcs	Chip Select setup time(Read ID)	45	-	ns	
	trcsfm	Chip Select setup time(Read FM)	355	-	ns	
	tcsf	Chip Select Wait time (Write/Read)	10	-	ns	
WRX	twc	Write Cycle	66	-	ns	
	twrh	Write Control pulse H duration	15	-	ns	
	twrl	Write Control pulse L duration	15	-	ns	
RDX(FM)	trcfm	Read Cycle (FM)	380	-	ns	
	trdhfm	Read Control H duration(FM)	180	-	ns	
	trdlfm	Read Control L duration(FM)	200	-	ns	
RDX(ID)	trc	Read Cycle (ID)	160	-	ns	
	trdh	Read Control H pulse duration	90	-	ns	
	trdl	Read Control L pulse duration	70	-	ns	
D[17:0],D[15:0],D[8:0],D[7:0]	tdst	Write data setup time	10	-	ns	For maximum CL=30pF For minimum CL=8pF
	tdht	Write data hold time	10	-	ns	
	trat	Read access time	-	40	ns	

	tratfm	Read access time	-	340	ns
	trod	Read output disable time	20	80	ns

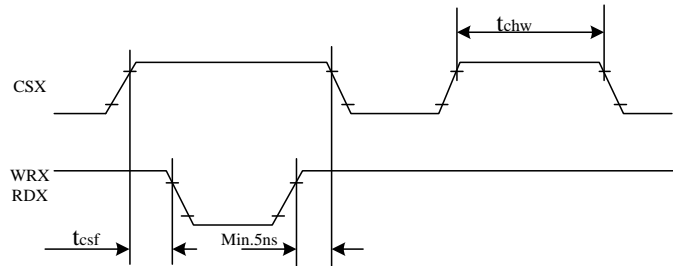
Note: $T_a = -30$ to 70 °C, $IOVCC=1.65V$ to $3.3V$, $VCI=2.5V$ to $3.3V$, $VSS=0V$

Figure91.



CSX timings :

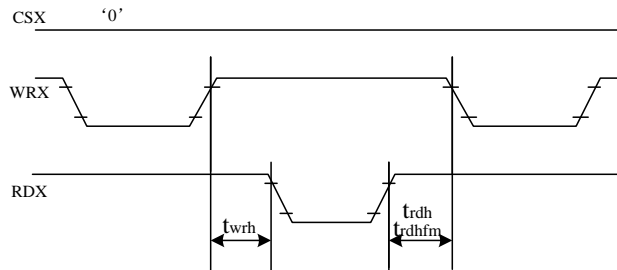
Figure92.



Note: Logic high and low levels are specified as 30% and 70% of IOVCC for Input signals.

Write to read or read to write timings:

Figure92.



Note: Logic high and low levels are specified as 30% and 70% of IOVCC for Input signals.

8.3.2. Display Parallel 18/16/9/8-bit Interface Timing Characteristics (8080-II)

Figure93.

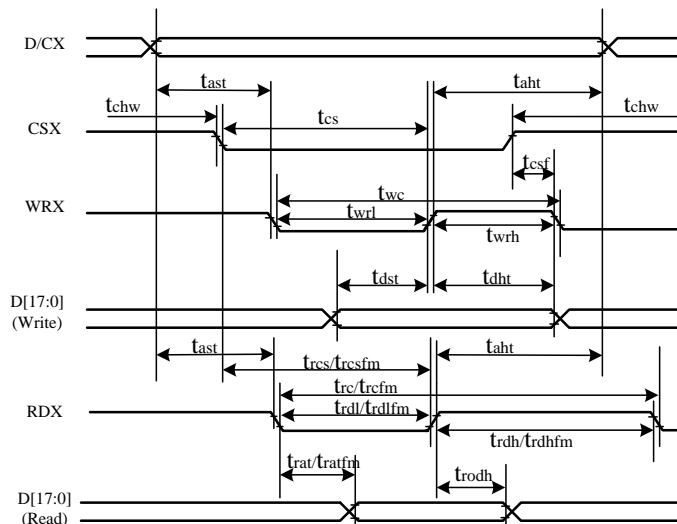
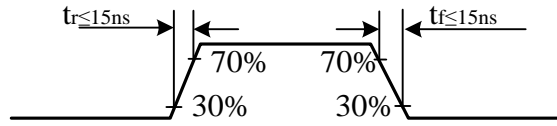


Table46.

Signal	Symbol	Parameter	min	max	Unit	Description
DCX	tast	Address setup time	0	-	ns	
	taht	Address hold time(Write/Read)	0	-	ns	
CSX	tchw	CSX "H" pulse width	0	-	ns	
	tcs	Chip Select setup time(Write)	15	-	ns	
	trcs	Chip Select setup time(Read ID)	45	-	ns	
	trcsfm	Chip Select setup time(Read FM)	355	-	ns	
	tcsf	Chip Select Wait time (Write/Read)	10	-	ns	
WRX	twc	Write Cycle	66	-	ns	
	twrh	Write Control pulse H duration	15	-	ns	
	twrl	Write Control pulse L duration	15	-	ns	
RDX(FM)	trcfm	Read Cycle (FM)	380	-	ns	
	trdhfm	Read Control H duration(FM)	180	-	ns	
	trdlfm	Read Control L duration(FM)	200	-	ns	
RDX(ID)	trc	Read Cycle (ID)	160	-	ns	
	trdh	Read Control pulse H duration	90	-	ns	
	trdl	Read Control pulse L duration	70	-	ns	
D[17:0],D[17:10]&D[8:1],D[17:10],D[17:9]	tdst	Write data setup time	10	-	ns	For maximum CL=30pF For minimum CL=8pF
	tdht	Write data hold time	10	-	ns	
	trat	Read access time	-	40	ns	
	tratfm	Read access time	-	340	ns	
	trod	Read output disable time	20	80	ns	

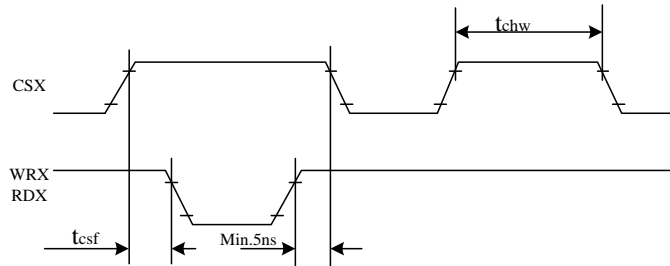
Note: $T_a = -30$ to 70 °C, $IOVCC=1.65V$ to $3.3V$, $VCI=2.5V$ to $3.3V$, $VSS=0V$.

Figure94.



CSX timings :

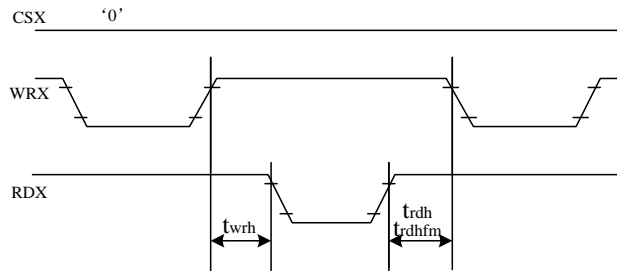
Figure95.



Note: Logic high and low levels are specified as 30% and 70% of $IOVCC$ for Input signals.

Write to read or read to write timings:

Figure96.



Note: Logic high and low levels are specified as 30% and 70% of $IOVCC$ for Input signals.

8.3.3. Display Serial Interface Timing Characteristics (3-line SPI system)

Figure97.

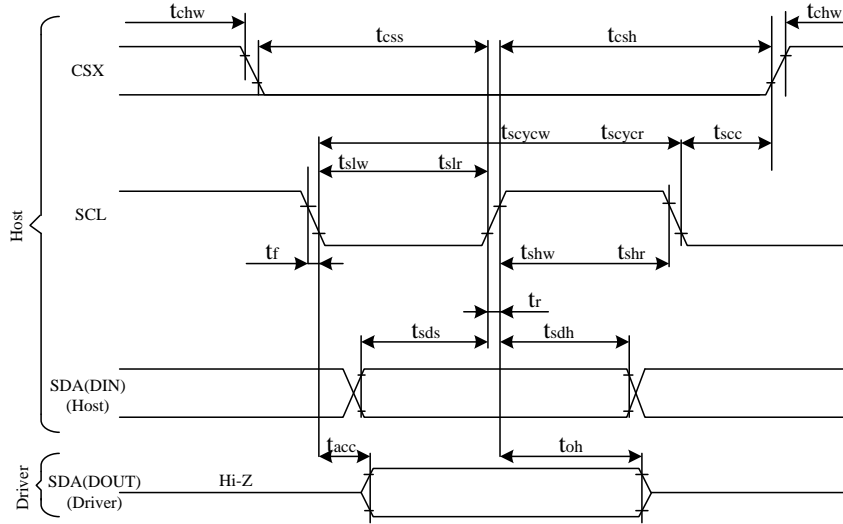
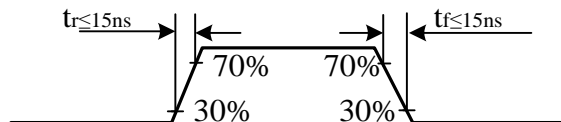


Table47.

Signal	Symbol	Parameter	min	max	Unit	Description
SCL	tscycw	Serial Clock Cycle (Write)	10	-	ns	
	tshw	SCL "H" Pulse Width (Write)	5	-	ns	
	tslw	SCL "L" Pulse Width (Write)	5	-	ns	
	tscycr	Serial Clock Cycle (Read)	150	-	ns	
	tshr	SCL "H" Pulse Width (Read)	60	-	ns	
	tslr	SCL "L" Pulse Width (Read)	60	-	ns	
SDA/SDI (Input)	tsds	Data setup time (Write)	5	-	ns	
	tsdh	Data hold time (Write)	5	-	ns	
SDA/SDO(Outp)	tacc	Access time (Read)	10	-	ns	
CSX	tsc	SCL-CSX	10	-	ns	
	tch	CSX "H" Pulse Width	10	-	ns	
	tcss	CSX-SCL Time	20	-	ns	
	tcs		40	-	ns	

Note: $T_a = 25\text{ }^\circ\text{C}$, $I_{OVCC}=1.65\text{V to }3.3\text{V}$, $V_{CI}=2.5\text{V to }3.3\text{V}$, $V_{SSA}=V_{SSC}=0\text{V}$

Figure98.



8.3.4. Display Serial Interface Timing Characteristics (4-line SPI system)

Figure98.

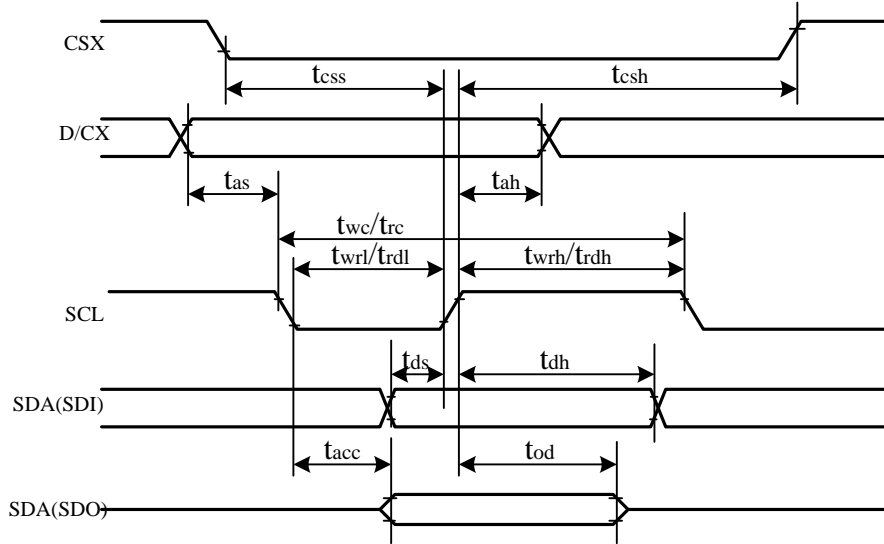
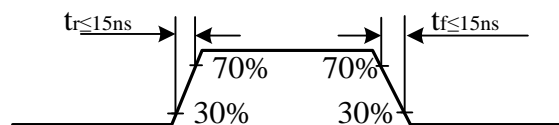


Table48.

Signal	Symbol	Parameter	min	max	Unit	Description
CSX	t_{css}	Chip select time (Write)	20	-	ns	
	t_{csh}	Chip select hold time (Read)	40	-	ns	
SCL	t_{wc}	Serial Clock Cycle (Write)	10	-	ns	
	t_{wrh}	SCL "H" Pulse Width (Write)	5	-	ns	
	t_{wrl}	SCL "L" Pulse Width (Write)	5	-	ns	
	t_{rc}	Serial Clock Cycle (Read)	150	-	ns	
	t_{rdh}	SCL "H" Pulse Width (Read)	60	-	ns	
	t_{rdl}	SCL "L" Pulse Width (Read)	60	-	ns	
D/CX	t_{asc}	D/CX setup time	10	-	ns	
	t_{ah}	D/CX hold time (Write/Read)	10	-	ns	
SDA/SDI (Input)	t_{ds}	Data setup time (Write)	5	-	ns	
	t_{dh}	Data hold time (Write)	5	-	ns	
SDA/SDO (Output)	t_{acc}	Access time (Read)	10	-	ns	

Note: $T_a = 25\text{ }^\circ\text{C}$, $IOVCC=1.65\text{V to }3.3\text{V}$, $VCI=2.5\text{V to }3.3\text{V}$, $AGND=VSS=0\text{V}$

Figure99.



8.3.5. Parallel 18/16/6-bit RGB Interface Timing Characteristics

Figure100.

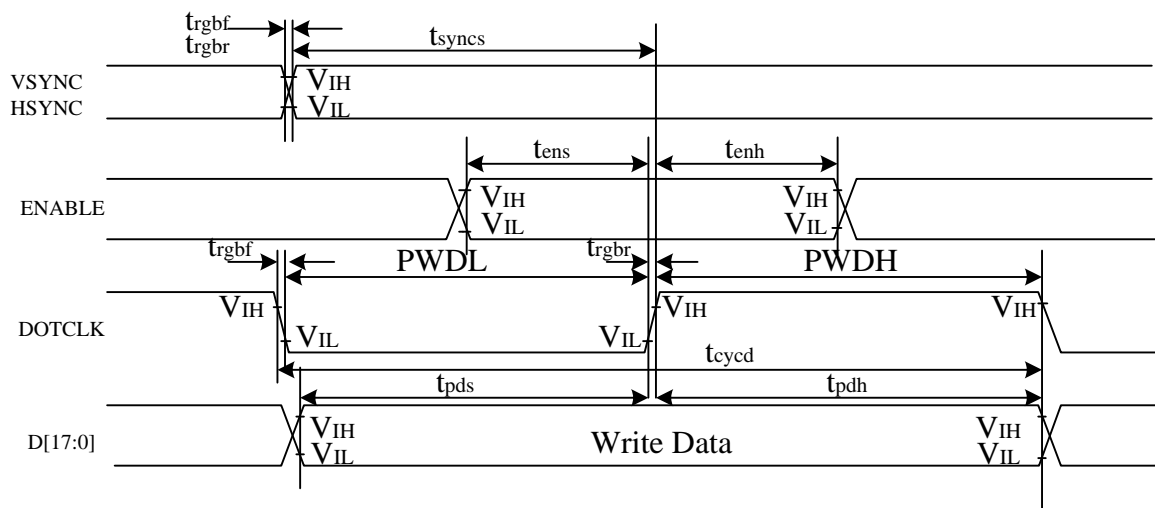
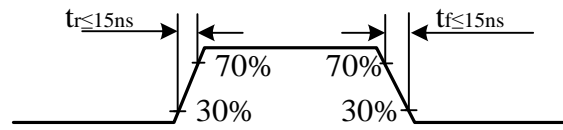


Table49.

Signal	Symbol	Parameter	min	max	Unit	Description	
VSYNC/HSYNC	tsyns	VSYNC/HSYNC setup time	15	-	ns	18/16-bit bus RGB interface mode	
	tsynch	VSYNC/HSYNC hold time	15	-	ns		
DE	tens	DE setup time	15	-	ns		
	tenh	DE hold time	15	-	ns		
D[17:0]	tpos	Data setup time	15	-	ns		
	tpdh	Date hold time	15	-	ns		
DOTCLK	PWDH	DOTCLK high-level period	15	-	ns		
	PWDL	DOTCLK low-level period	15	-	ns		
	tcycd	DOTCLK cycle time	100	-	ns		
	trgbr, trgbf	DOTCLK, HSYNC, VSYNC rise/fall time	-	15	ns		
VSYNC/HSYNC	tsyns	VSYNC/HSYNC setup time	15	-	ns		6-bit bus RGB interface mode
	tsynch	VSYNC/HSYNC hold time	15	-	ns		
DE	tens	DE setup time	15	-	ns		
	tenh	DE hold time	15	-	ns		
D[17:0]	tpos	Data setup time	15	-	ns		
	tpdh	Date hold time	15	-	ns		
DOTCLK	PWDH	DOTCLK high-level pulse period	15	-	ns		
	PWDL	DOTCLK low-level pulse period	15	-	ns		
	tcycd	DOTCLK cycle time	100	-	ns		
	trgbr, trgbf	DOTCLK, HSYNC, VSYNC rise/fall time	-	15	ns		

Note: $T_a = -30$ to 70 °C, $IOVCC=1.65V$ to $3.3V$, $VCI=2.5V$ to $3.3V$, $AGND=VSS=0V$

Figure101.



9. Revision History

Version No.	Date	Page	Description
V1.00	2017-06-21	All	New Created
V1.01	2018-04-24	94-177	Vreg & gamma registers corrected