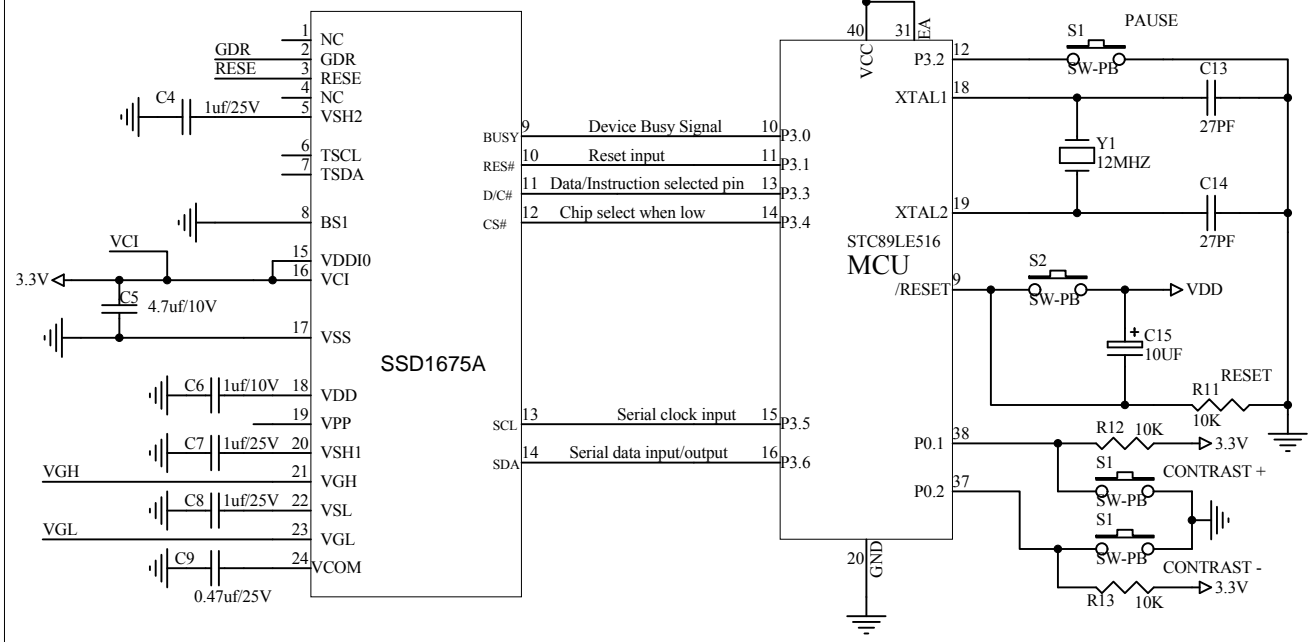
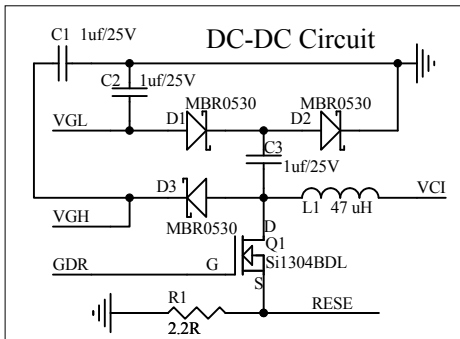
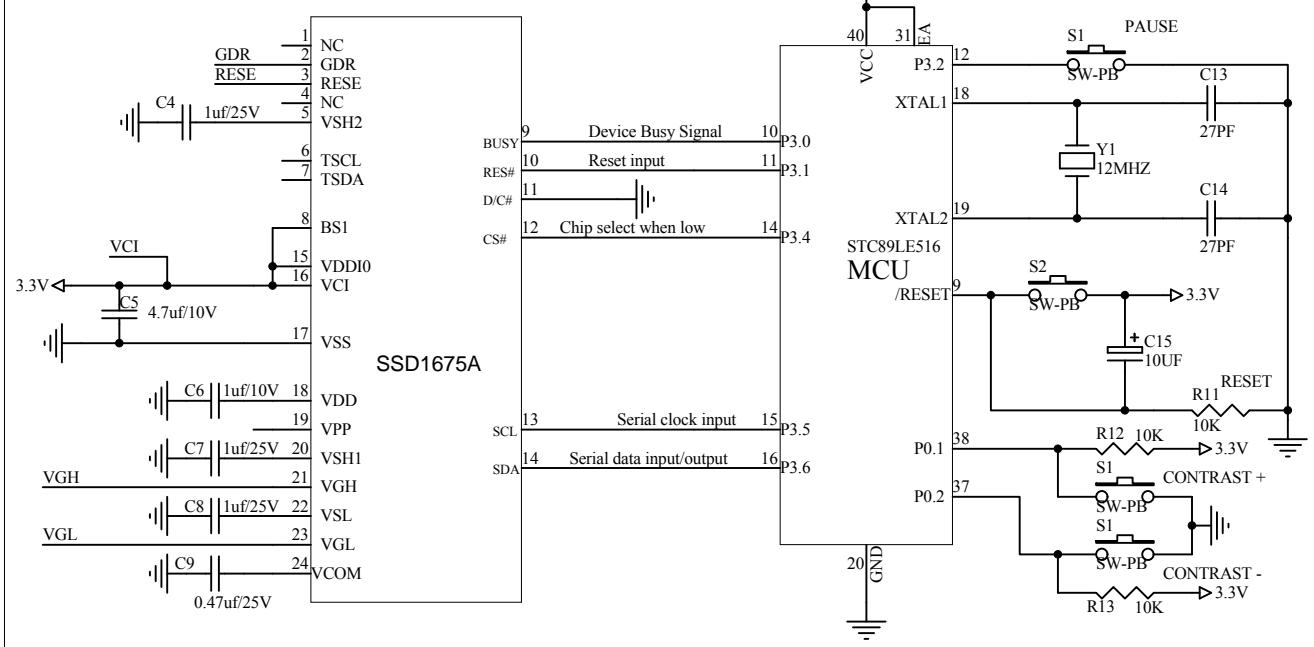


# Interfacing E-Paper Display ER-EPD0213-1 to MCU STC89LE516

The Serial (4-Line SPI) Reference Example BS1 : GND



The Serial (3-Line SPI) Reference Example BS1 : VDDI0



Title		<b>EASTRISING TECHNOLOGY CO.,LTD.</b>		
Size	Number	Revision		
A	ER-EPD0213-1	A0		
Date:	09-Jul-2017	Sheet of	1	
File		Drawn By	Javen	