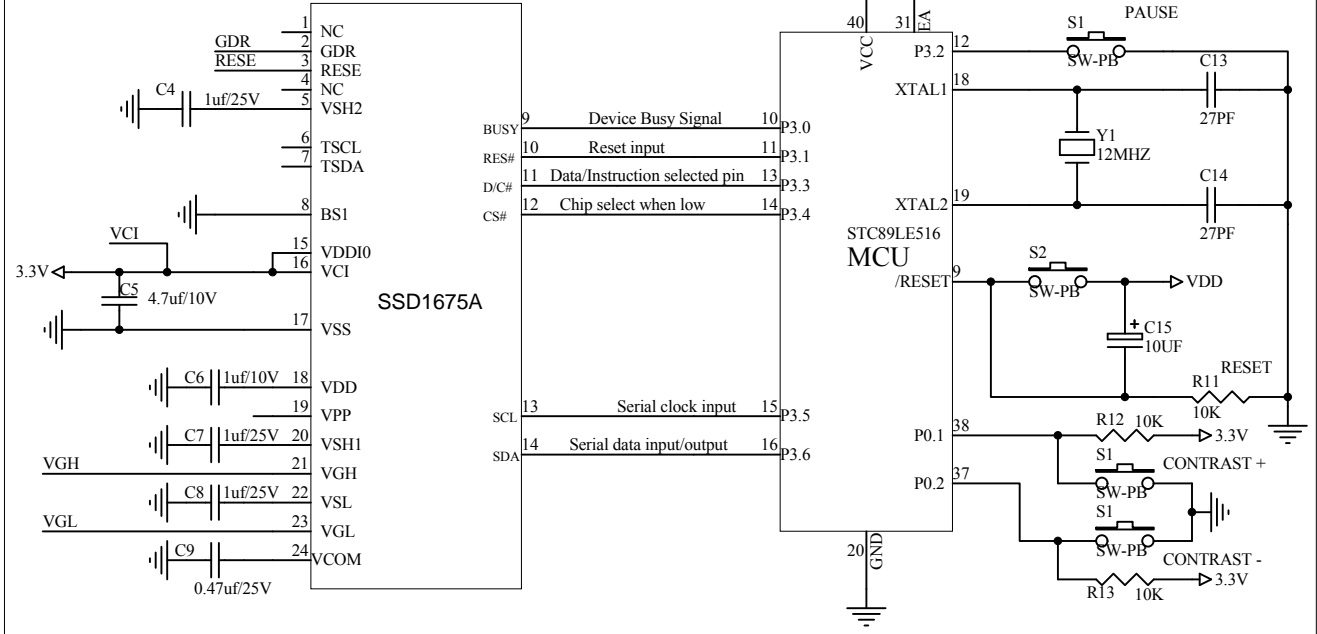
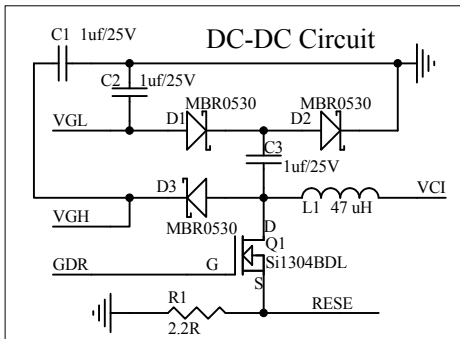
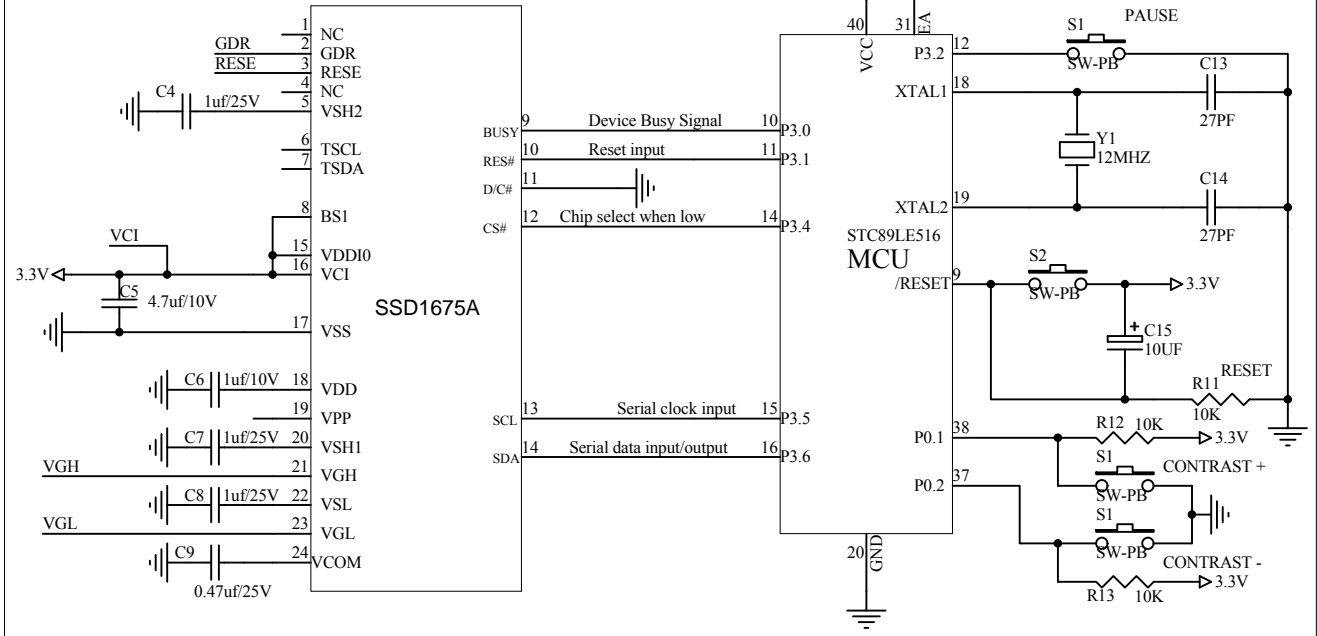


# Interfacing E-Paper Display ER-EPD029-1 to MCU STC89LE516

The Serial (4-Line SPI) Reference Example BS1 : GND



The Serial (3-Line SPI) Reference Example BS1 : VDDIO



Title				<b>EASTRISING TECHNOLOGY CO.,LTD.</b>			
REV.	DESCRIPTION OF MODIFY	MODIFY BY	DATE	Size	Number	Revision	
A0	1' ST DESIGN	JIM	2017.07.09	A	ER-EPD029-1	A0	
A1				Date:	09-Jul-2017	Sheet of	1
				File		Drawn By	Javen