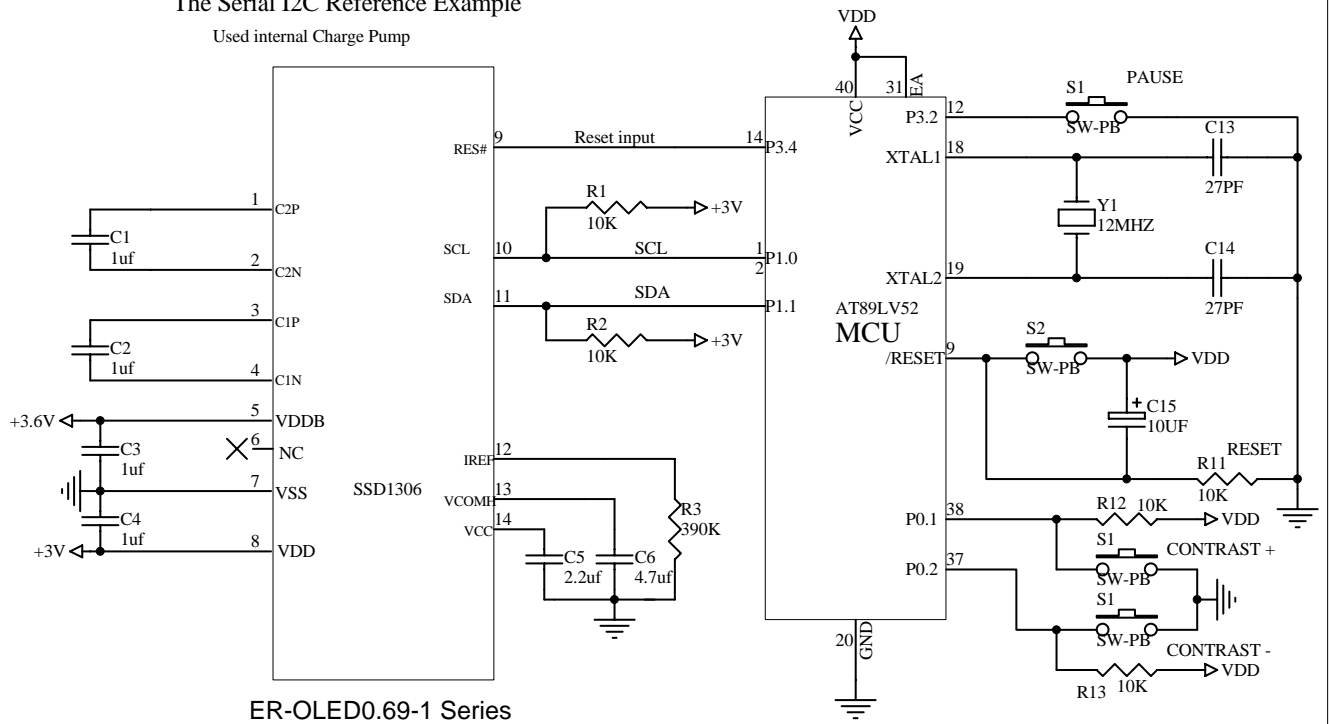
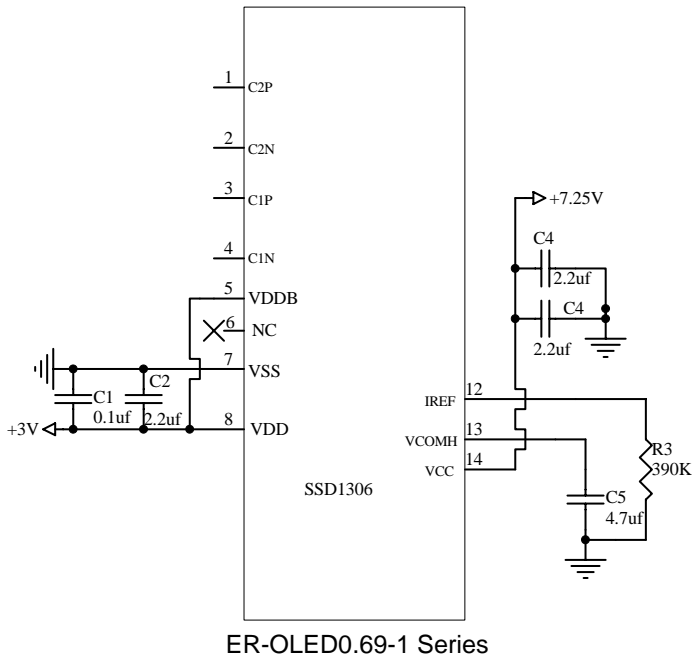


Interfacing OLED Display to the AT89LV52 MCU

The Serial I2C Reference Example Used internal Charge Pump



VCC Supplied Externally(Don't use internal Charge Pump)



Title			EASTRISING TECHNOLOGY CO.,LTD.		
Size	Number	Revision			
A	ER-OLED0.69-1 Series	A0			
Date:	23-May-2013	Sheet of	1		
File		Drawn By	Javen		