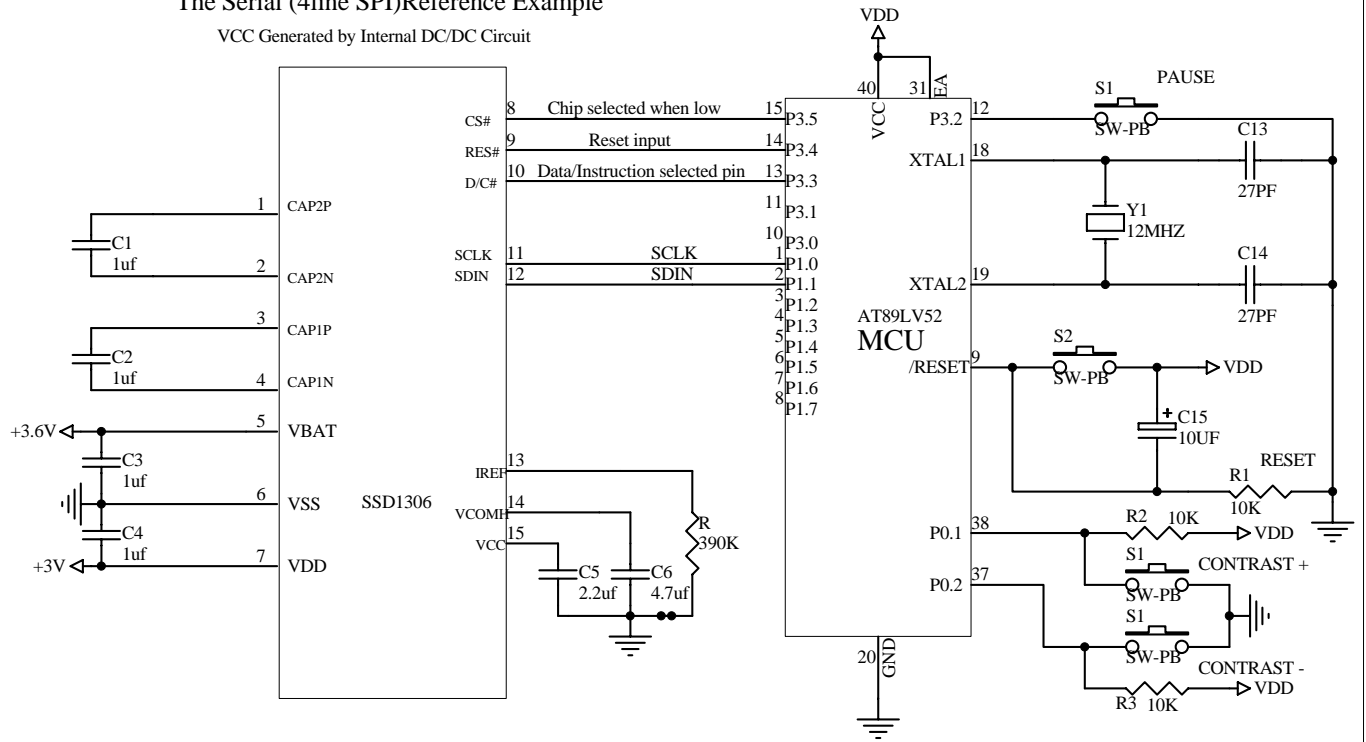


# Interfacing OLED Display to the AT89LV52 MCU

## The Serial (4line SPI) Reference Example

VCC Generated by Internal DC/DC Circuit



VCC Supplied Externally (Don't use internal DC/DC Circuit)

