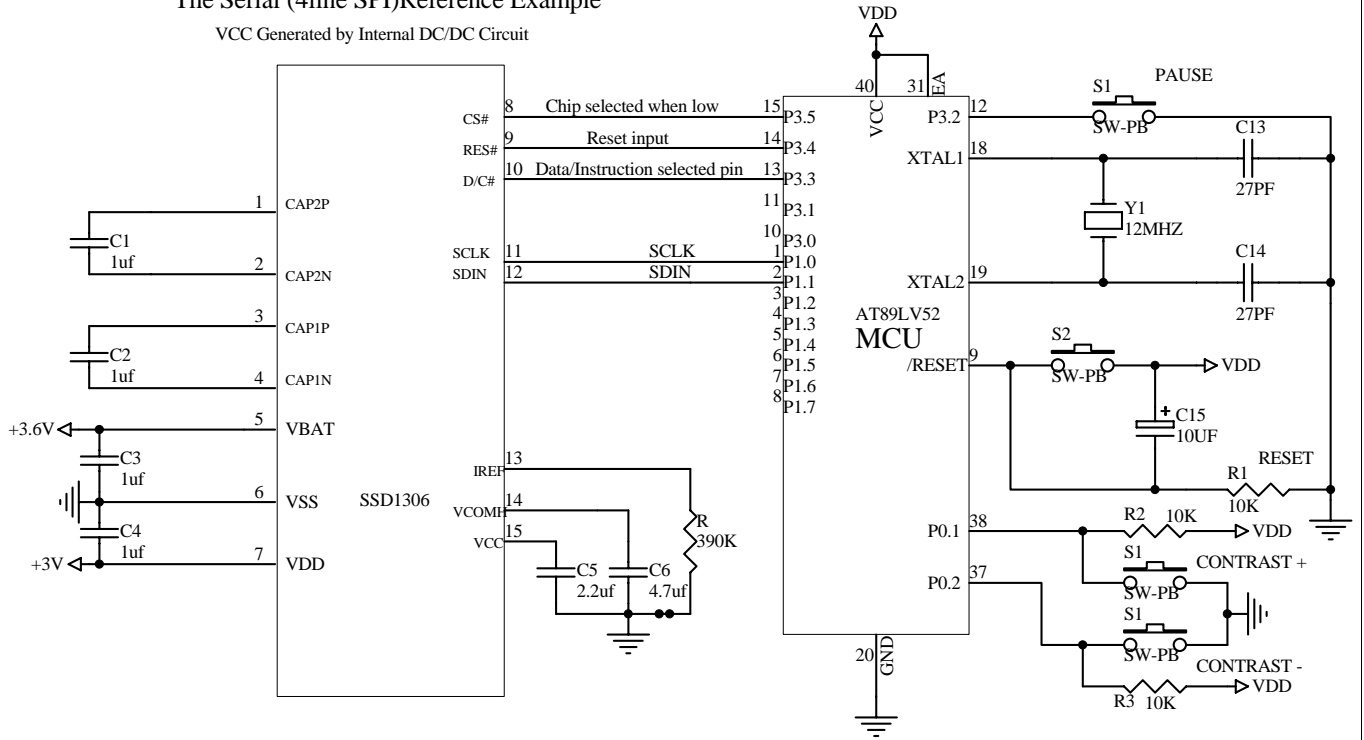


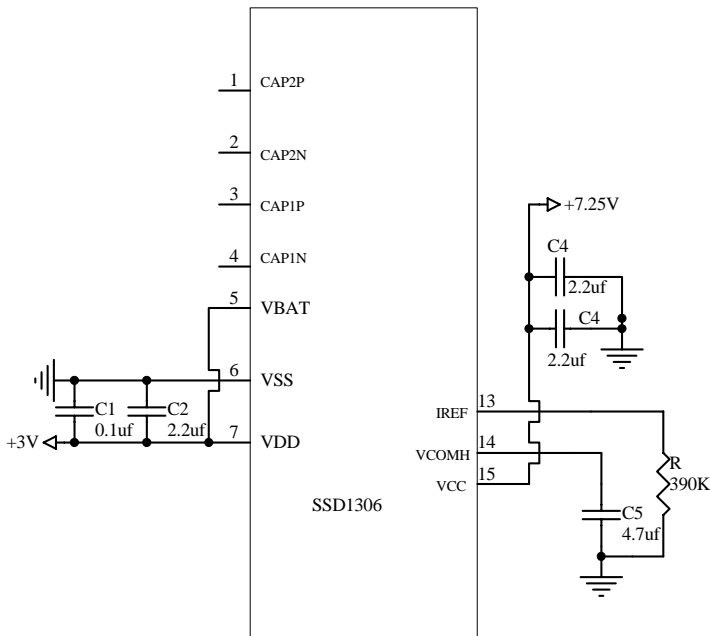
Interfacing OLED Display to the AT89LV52 MCU

The Serial (4line SPI) Reference Example

VCC Generated by Internal DC/DC Circuit



VCC Supplied Externally (Don't use internal DC/DC Circuit)



Title			EASTRISING TECHNOLOGY CO.,LTD.		
Size	Number	Revision			
A	ER-OLED0.91-3 Series	A0			
Date:	03-Feb-2010	Sheet of	1		
File		Drawn By	Javen		