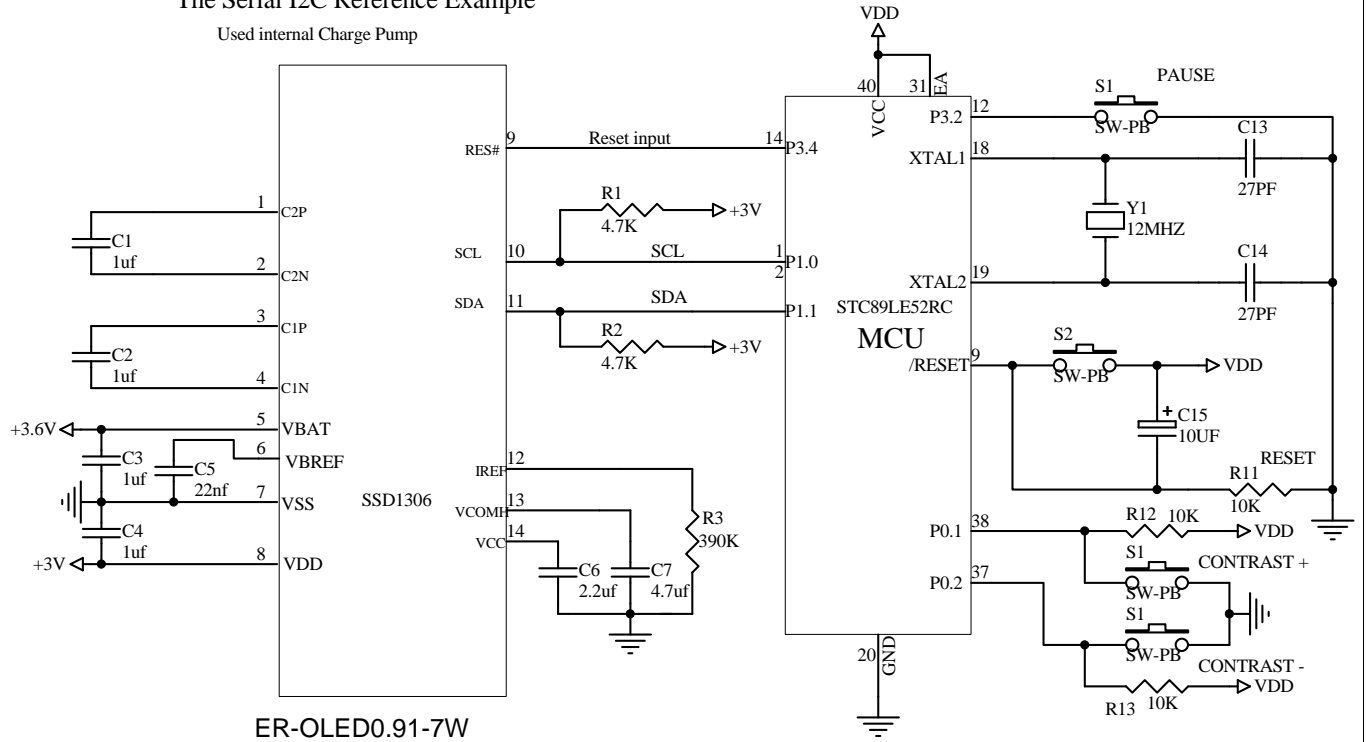


Interfacing OLED Display to MCU STC89LE52RC

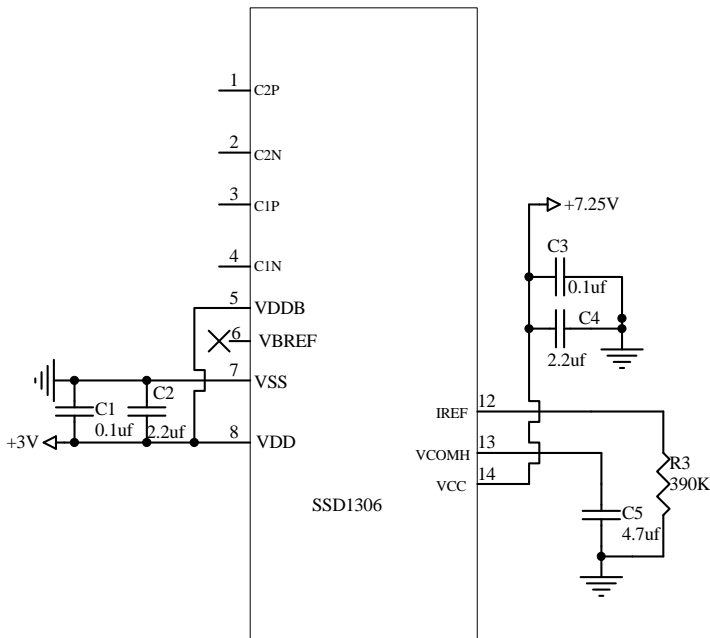
The Serial I2C Reference Example

Used internal Charge Pump



ER-OLED0.91-7W

VCC Supplied Externally (Don't use internal Charge Pump)



ER-OLED0.91-7W

Title EASTRISING TECHNOLOGY CO.,LTD.		
Size A	Number ER-OLED0.91-7W	Revision A0
Date: Apr-25-2018	Sheet of 1	
File	Drawn By Javen	