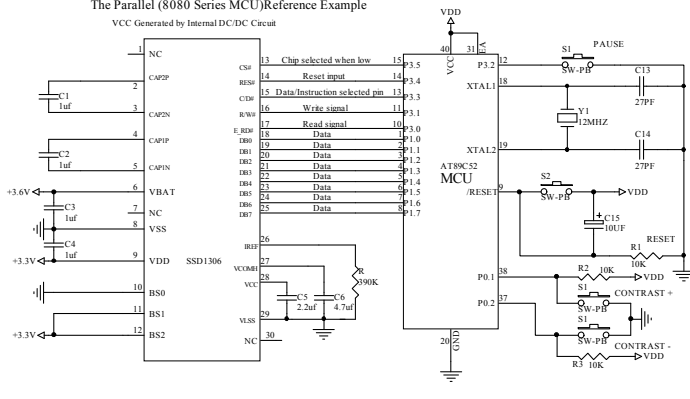
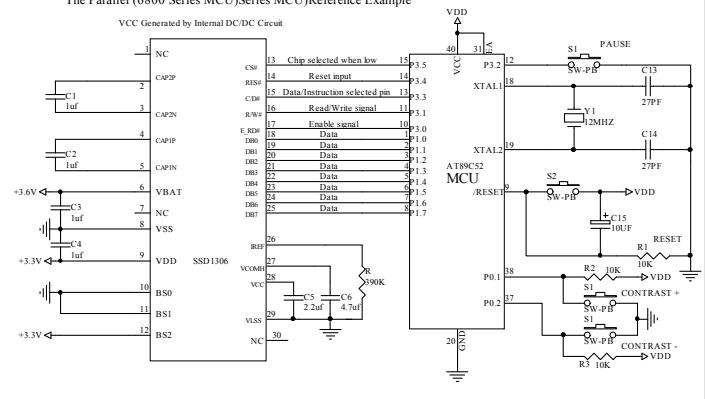


Interfacing OLED Display to MCU AT89C52

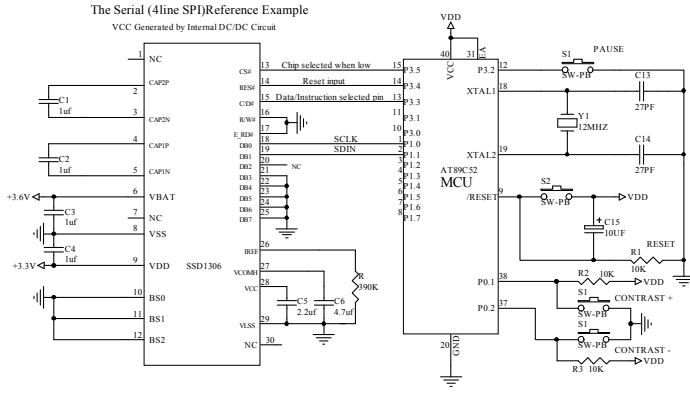
The Parallel (8080 Series MCU)Reference Example



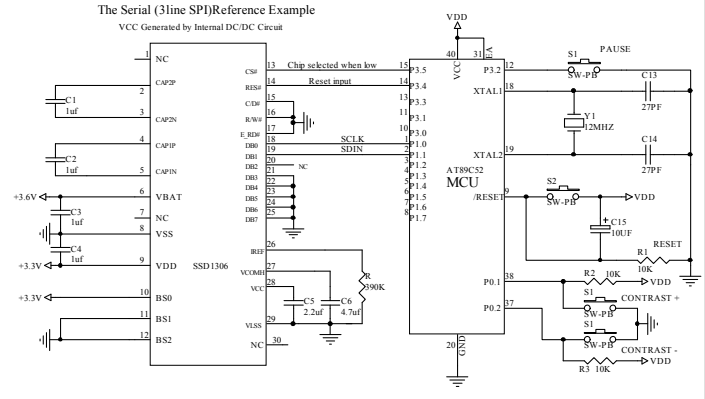
The Parallel (6800 Series MCU)Series MCU)Reference Example



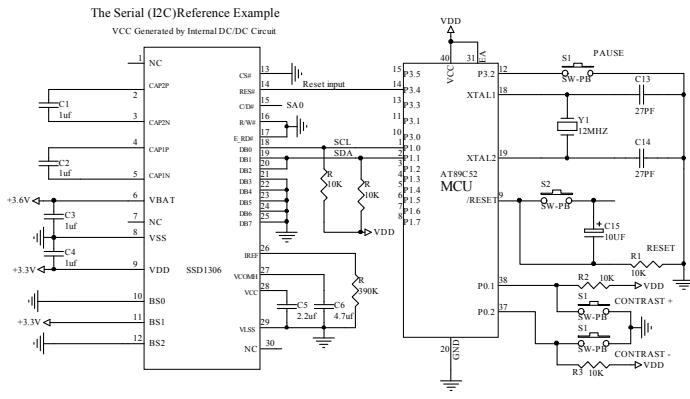
The Serial (4line SPI)Reference Example



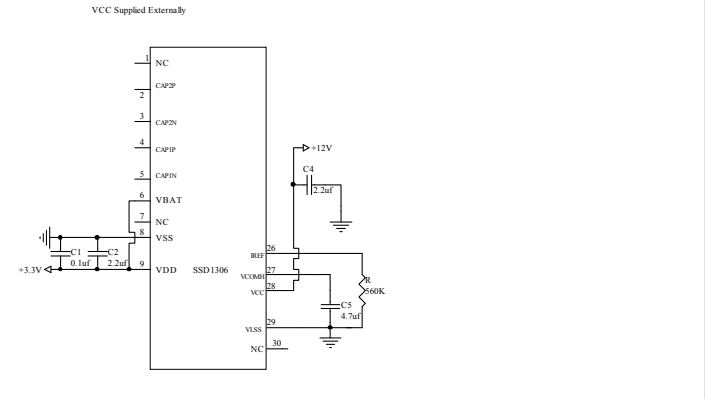
The Serial (3line SPI)Reference Example



The Serial (I2C)Reference Example



VCC Supplied Externally



Title EASTRISING TECHNOLOGY CO.,LTD.

REV.	DESCRIPTION OF MODIFY	MODIFY BY	DATE	Size	Number	Revision
A0	1 ST DESIGN	JJM	Feb-03-2010	A	ER-OLED013-1	A0
A1	Modify DB7 to No. 25	JJM	Oct-08-2018	Date:	Feb-03-2010	Sheet of 1
				File		Drawn By Javen