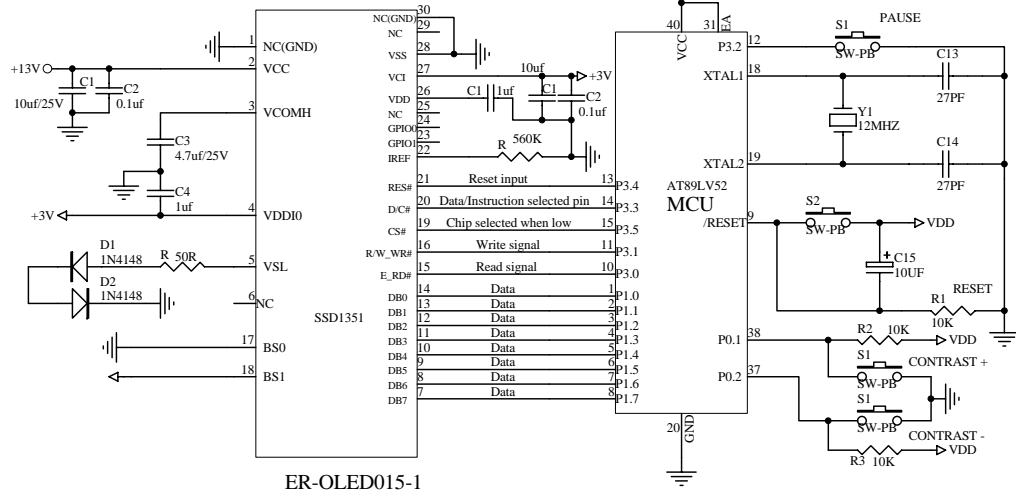


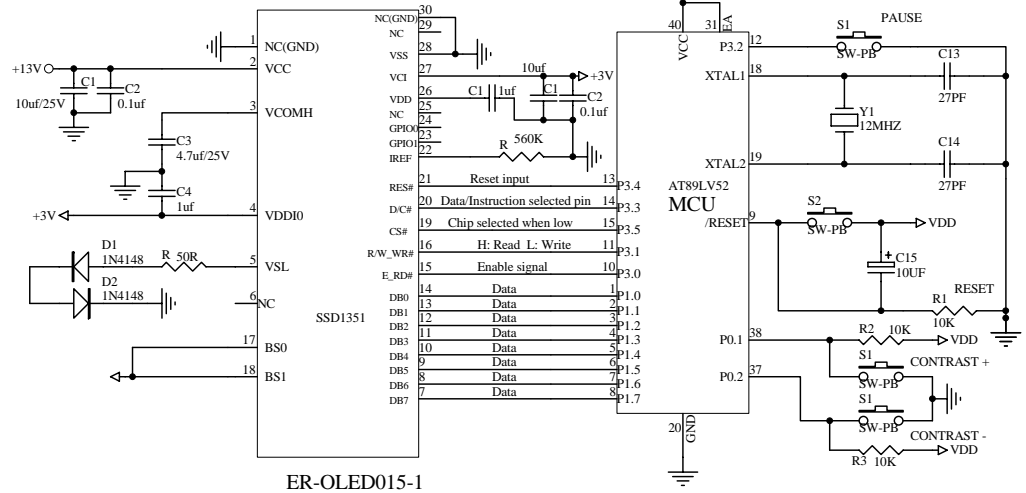
Interfacing OLED Modules to the AT89LV52 MCU

The Parallel (8080 Series MCU)Reference Example



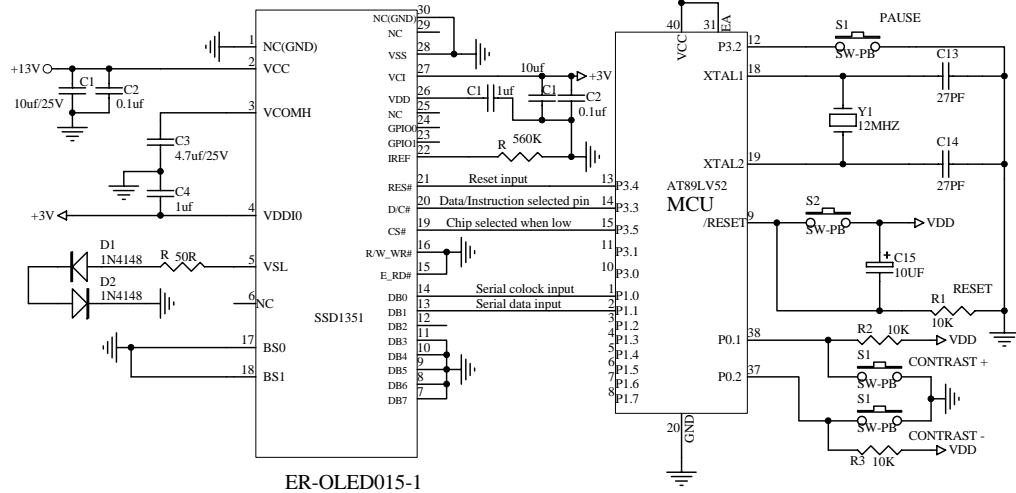
ER-OLED015-1

The Parallel (6800 Series MCU)Series MCU)Reference Example



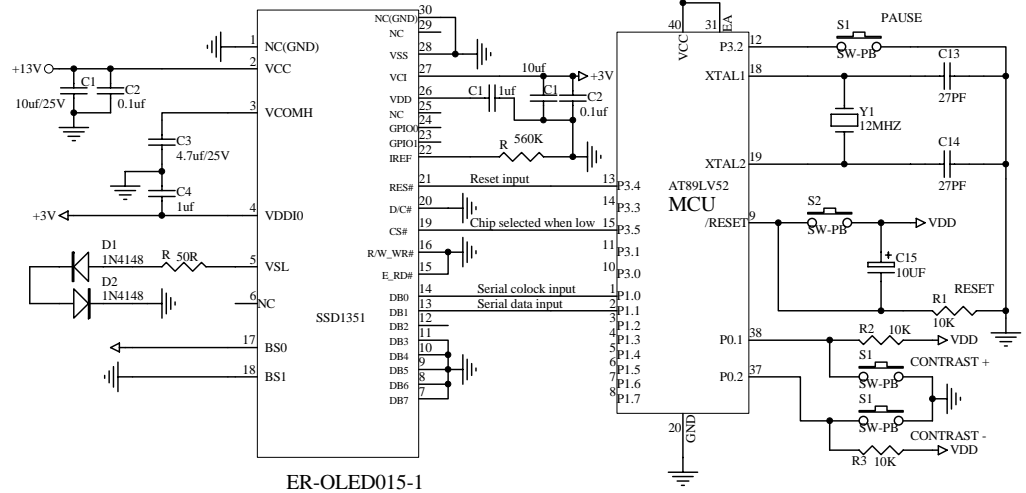
ER-OLED015-1

The Serial (4-Line SPI)Reference Example



ER-OLED015-1

The Serial (3-Line SPI)Reference Example



ER-OLED015-1

Title **EASTRISING TECHNOLOGY CO.,LTD.**

REV.	DESCRIPTION OF MODIFY	MODIFY BY	DATE	Size	Number	Revision
A0	1'ST DESIGN	JJM	03.03.30	A	ER-OLED015-1	A0
A1	Modify the error(PIN23-PIN30)	JJM	2013.04.09	Date:	03-Feb-2010	Sheet of 1
				File		Drawn By Javen