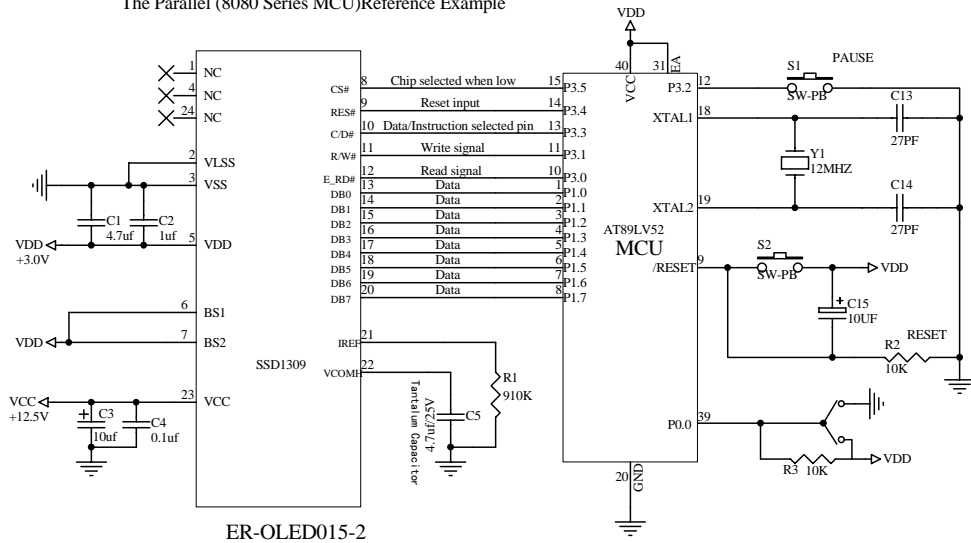
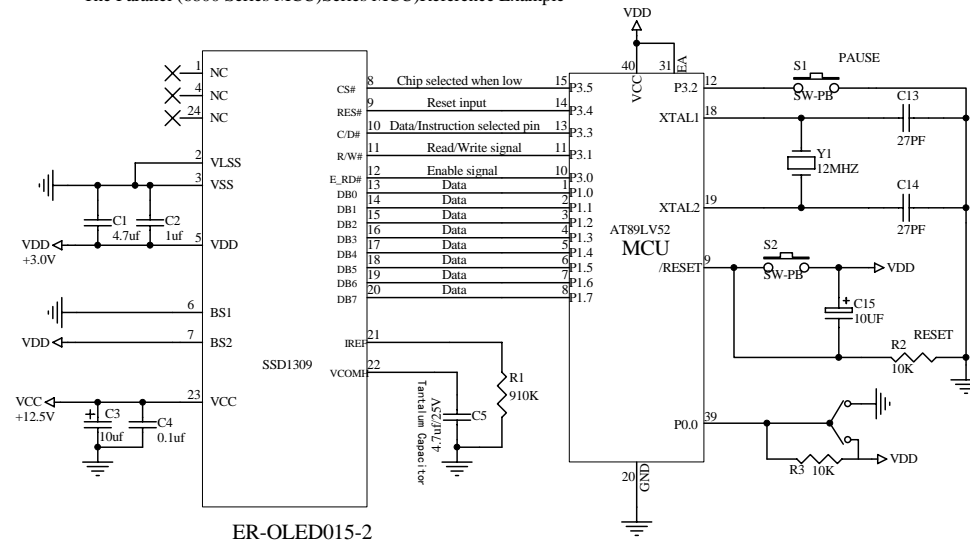


Interfacing LCD Modules to the AT89LV52 MCU

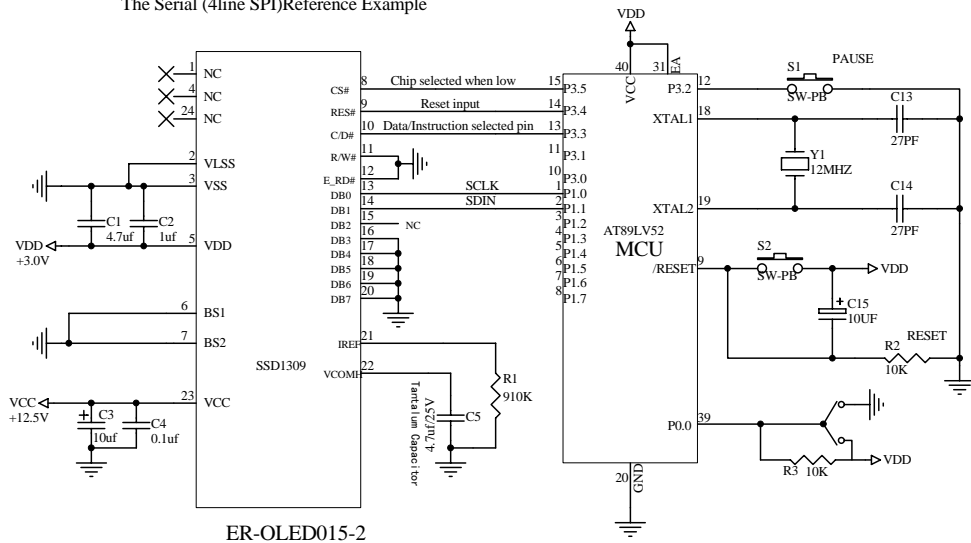
The Parallel (8080 Series MCU)Reference Example



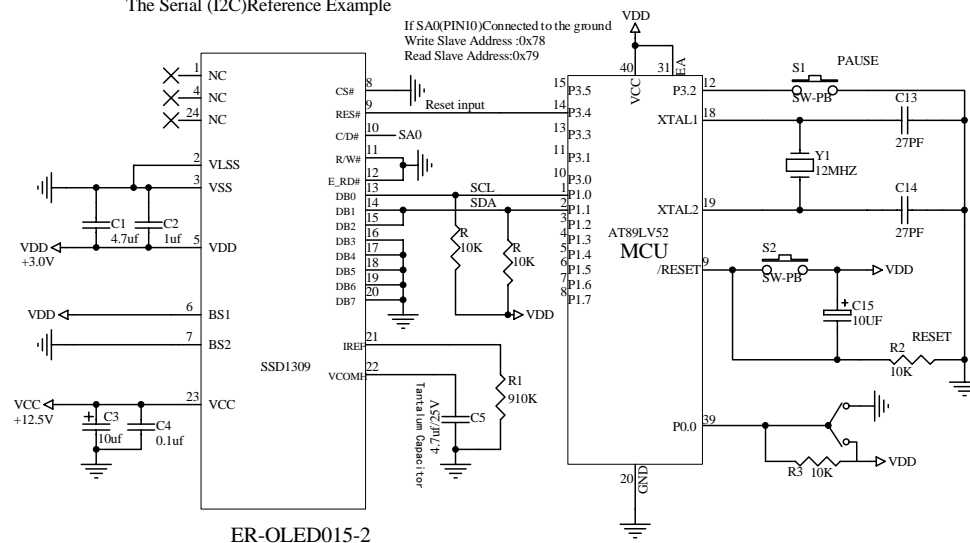
The Parallel (6800 Series MCU)Series MCU)Reference Example



The Serial (4line SPI)Reference Example



The Serial (I2C)Reference Example



Title **EASTRISING TECHNOLOGY CO.,LTD.**

REV.	DESCRIPTION OF MODIFY	MODIFY BY	DATE	Size	Number	Revision
A0	1'ST DESIGN	JIM	15-Jul-2013	A	ER-OLED015-2	A0
A1				Date:	15-Jul-2013	Sheet of 1
				File:		Drawn By Jim