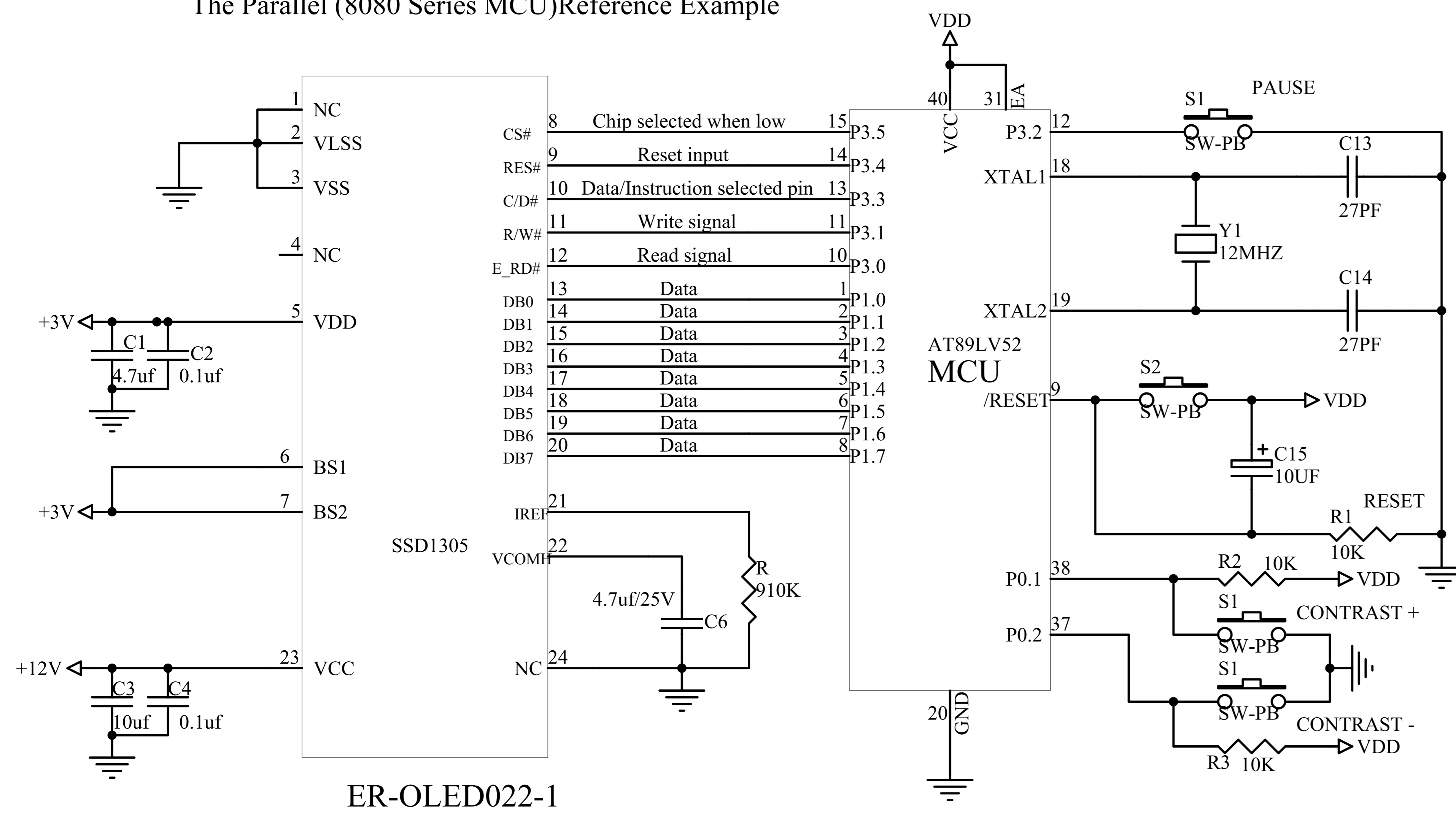
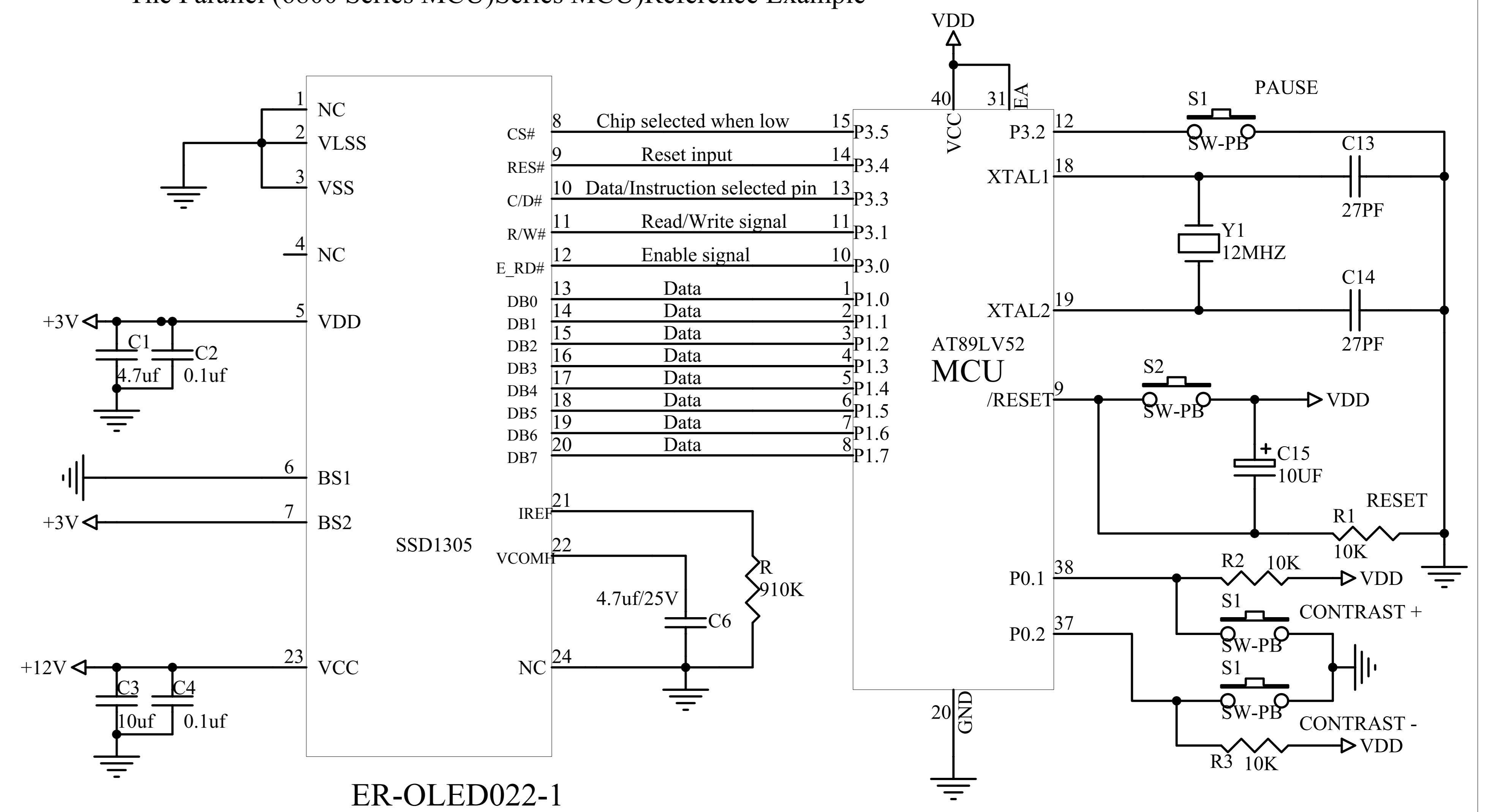


Interfacing OLED Modules to the AT89LV52 MCU

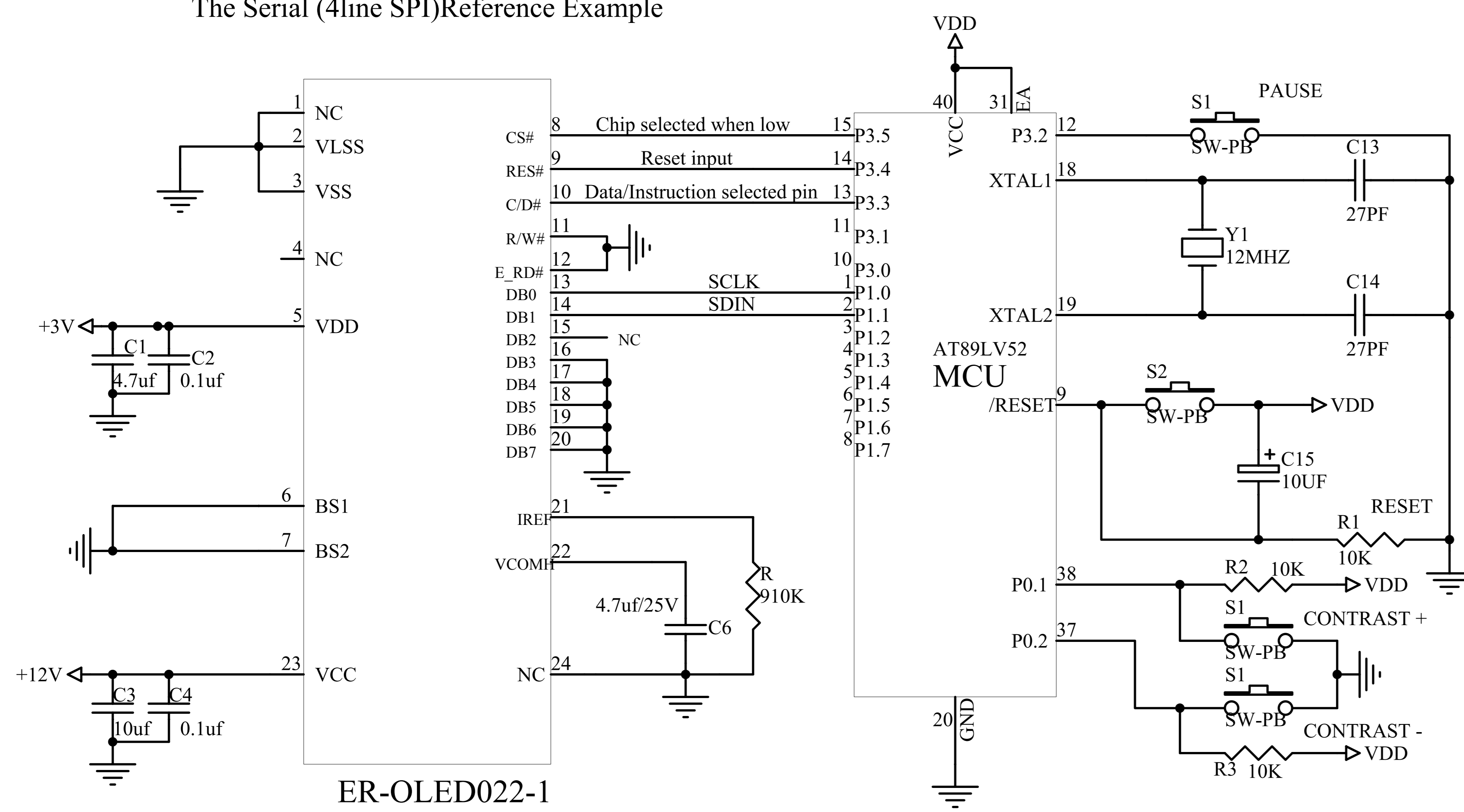
The Parallel (8080 Series MCU)Reference Example



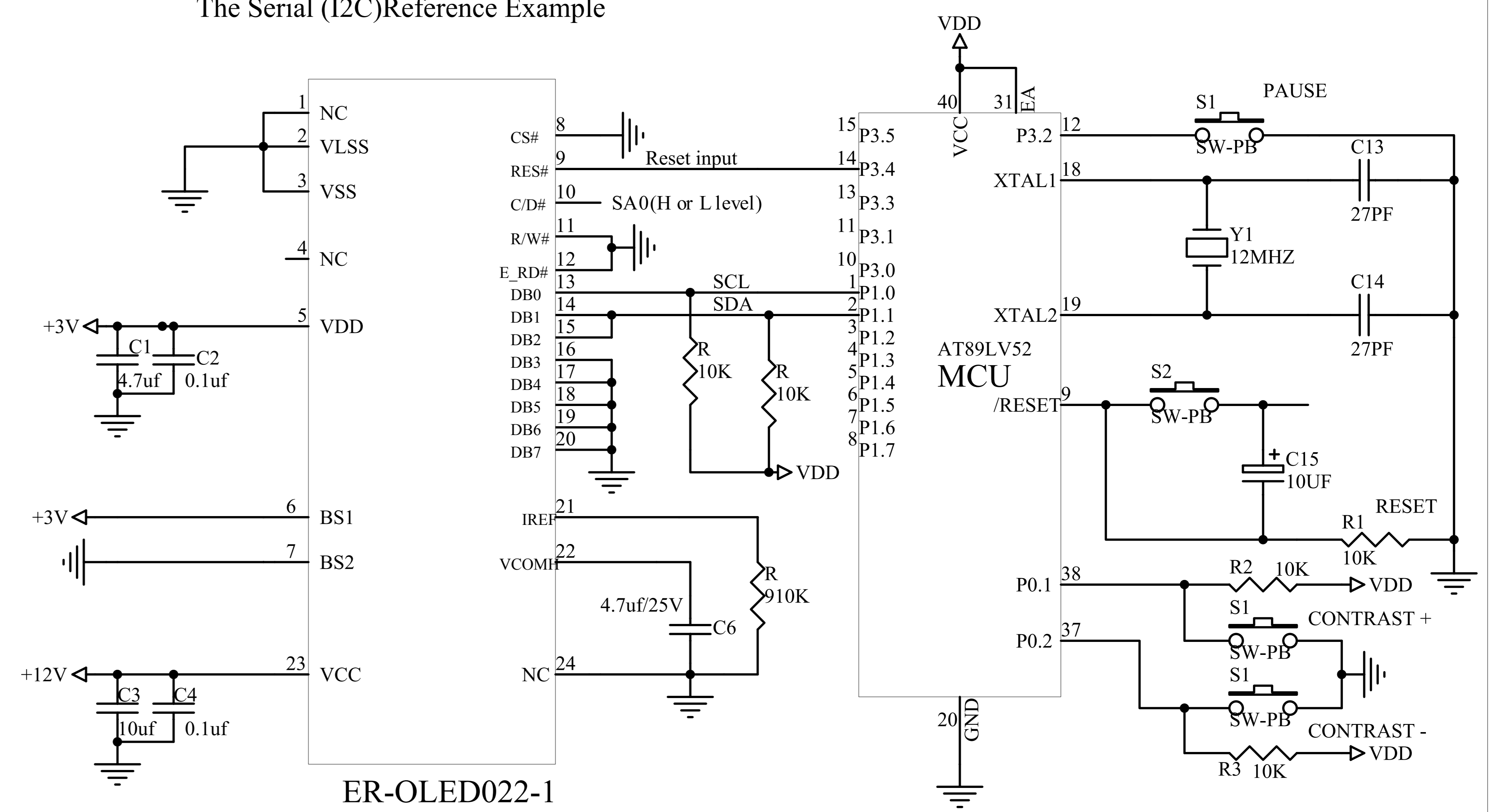
The Parallel (6800 Series MCU)Series MCU)Reference Example



The Serial (4line SPI)Reference Example



The Serial (I2C)Reference Example



R: 910kΩ, R1= (Voltage at IREF pin-VSS)/IREF Voltage at IREF pin = VCC-3V IREF=10uA



| | | | |
|---|---------------------|----------------|--|
| Title EASTRISING TECHNOLOGY CO.,LTD. | | | |
| Size A | Number ER-OLED022-1 | Revision A0 | |
| Date: 03-Feb-2010 | Sheet of 1 | Drawn By Javen | |