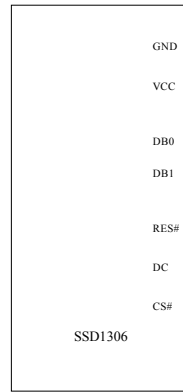


Interfacing OLED Display ER-OLEDM0.96-1 Series to the MCU STC89LE52RC

4-Wire SPI Serial Interface Examples

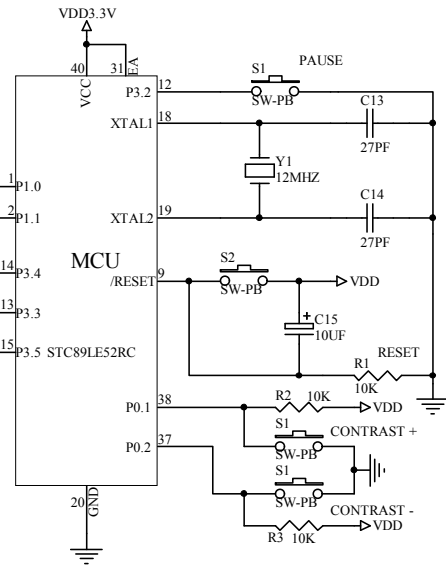


ER-OLEDM096-1

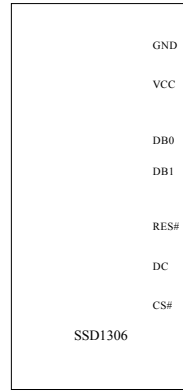
Jump Method:

R3,R4 Soldering (R3,R4=4.7K Ohm)

R1 R2 R8 Not Soldering



3-Wire SPI Serial Interface Examples

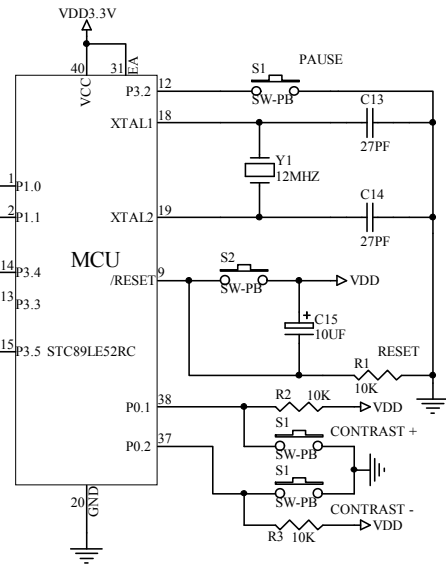


ER-OLEDM096-1

Jump Method:

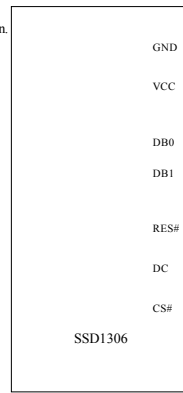
R2,R3 Soldering (R2,R3=4.7K Ohm)

R1 R4 R8 Not Soldering



I2C Serial Interface Examples

PIN 6(DC) acts as SA0 for slave address selection.
If SA0 conncted to H: Slave address :0x7a
If SA0 conncted to L: Slave address :0x78

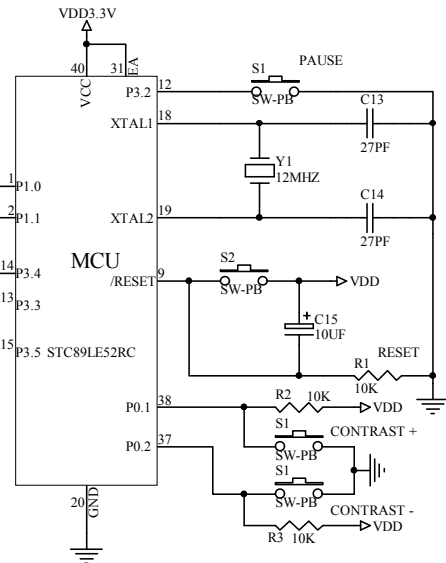


ER-OLEDM096-1

Jump Method:

R2 R3 Not Soldering

R1,R4,R6,R7,R8 Soldering (R1,R4,R6,R7=4.7K Ohm,R8=0 Ohm)



Title **EASTRISING TECHNOLOGY CO.,LTD.**

REV.	DESCRIPTION OF MODIFY	MODIFY BY	DATE
A0	1'ST DESIGN	JIM	Jun-25-2016
A1			

Size	Number	Revision
A	ER-OLEDM096-1 Series	A0
Date:	Jun-25-2016	Sheet of 1
File		Drawn By Javen