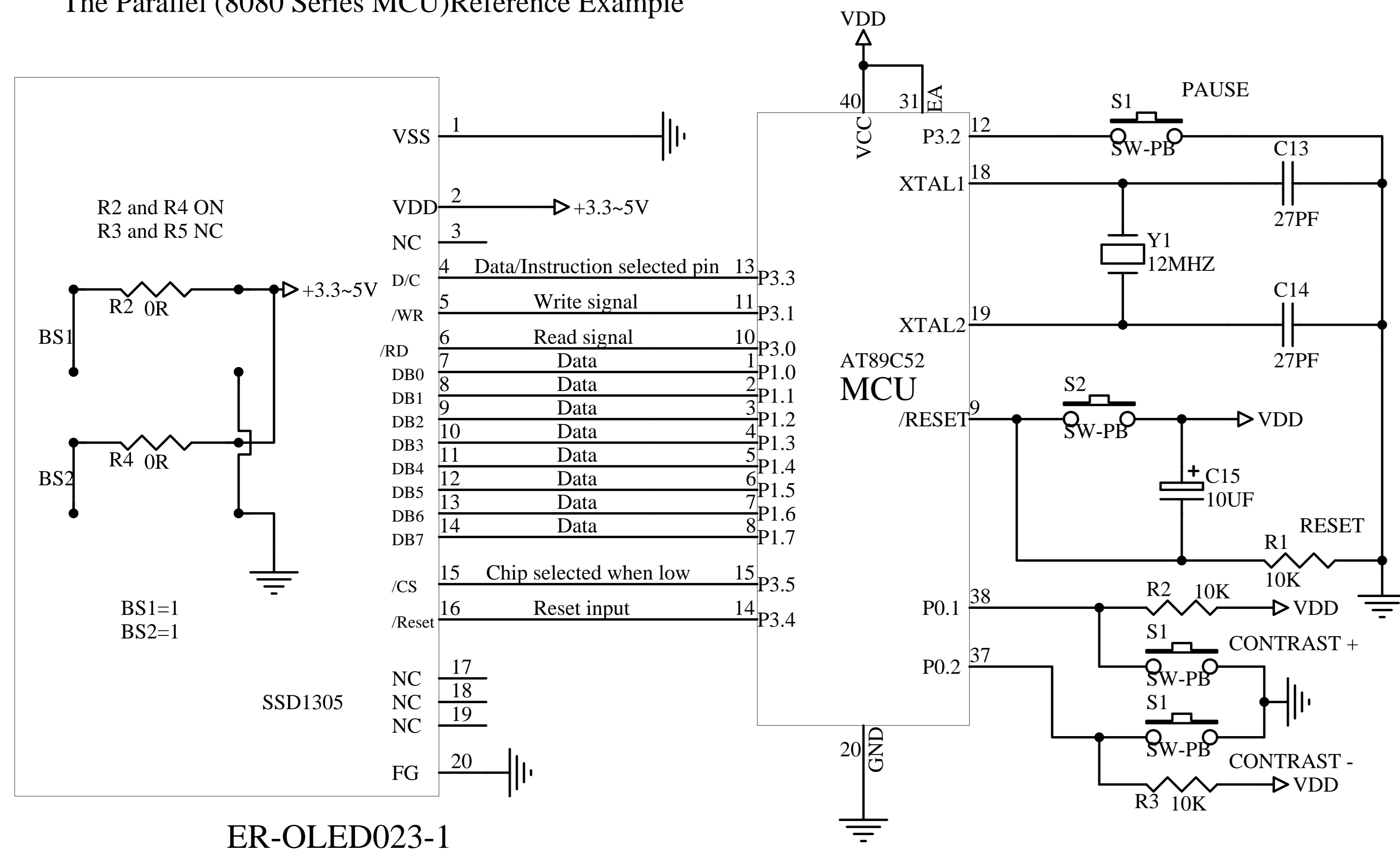


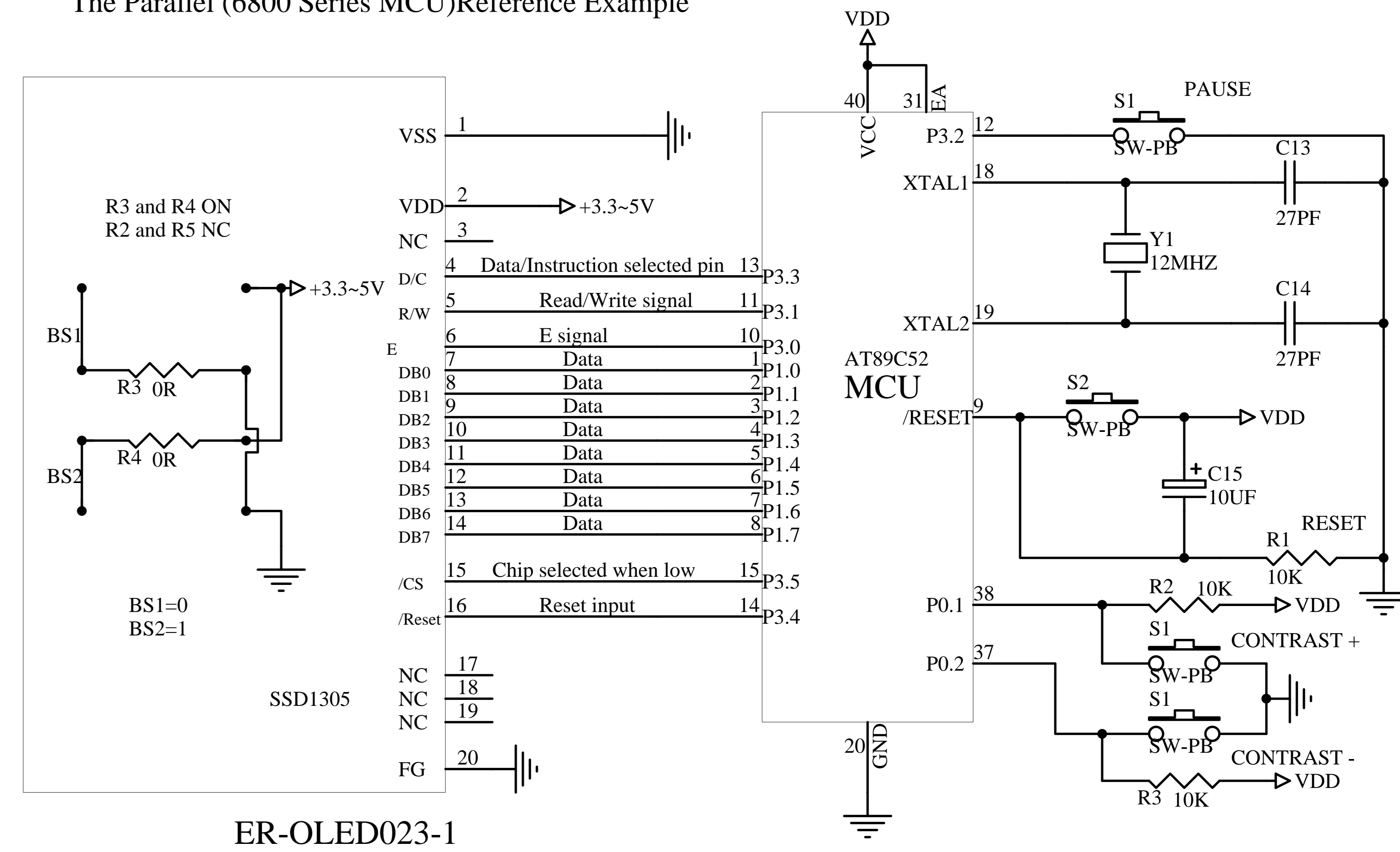
Interfacing OLED Display to the AT89LV52 MCU

The Parallel (8080 Series MCU) Reference Example



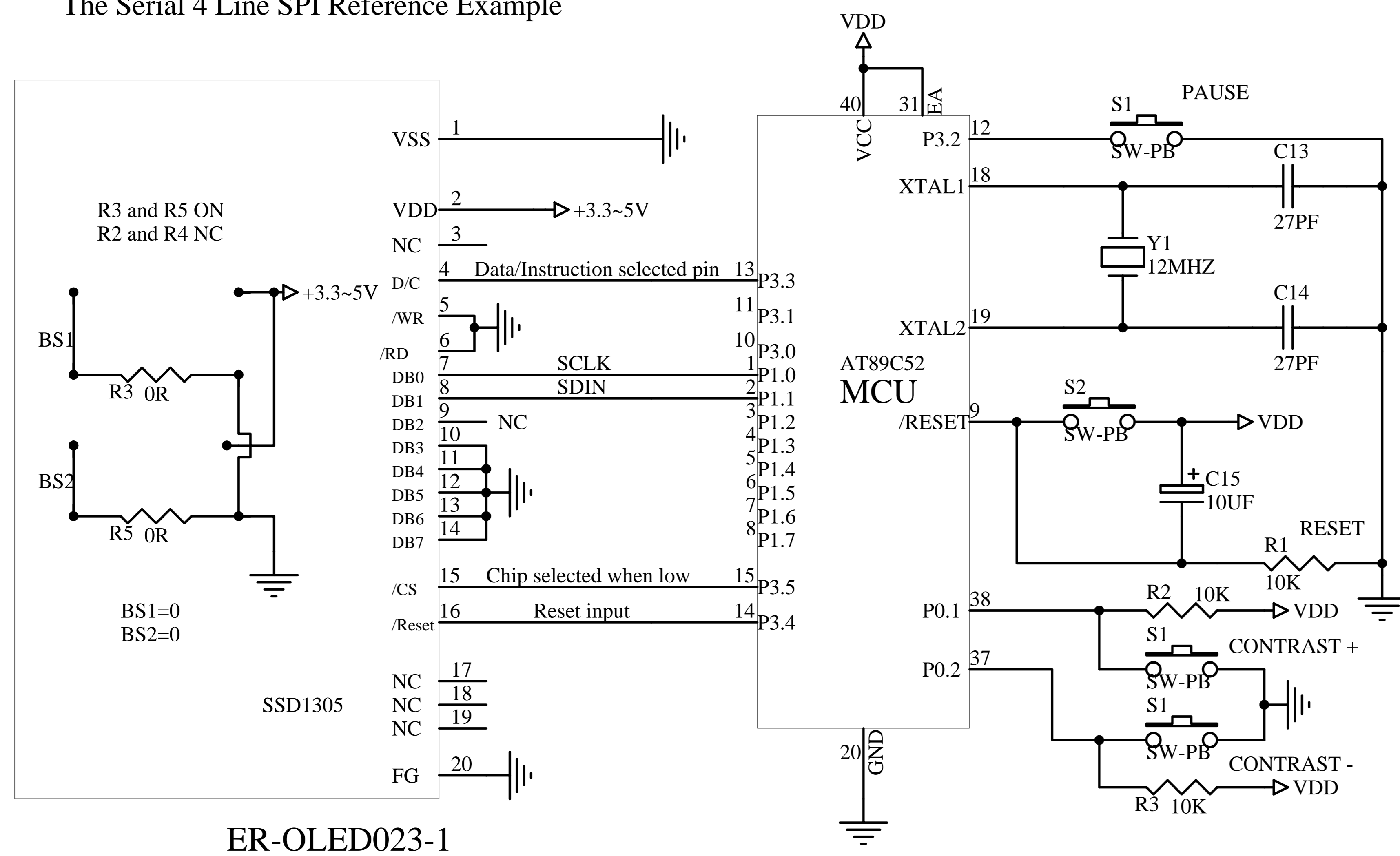
ER-OLED023-1

The Parallel (6800 Series MCU) Reference Example



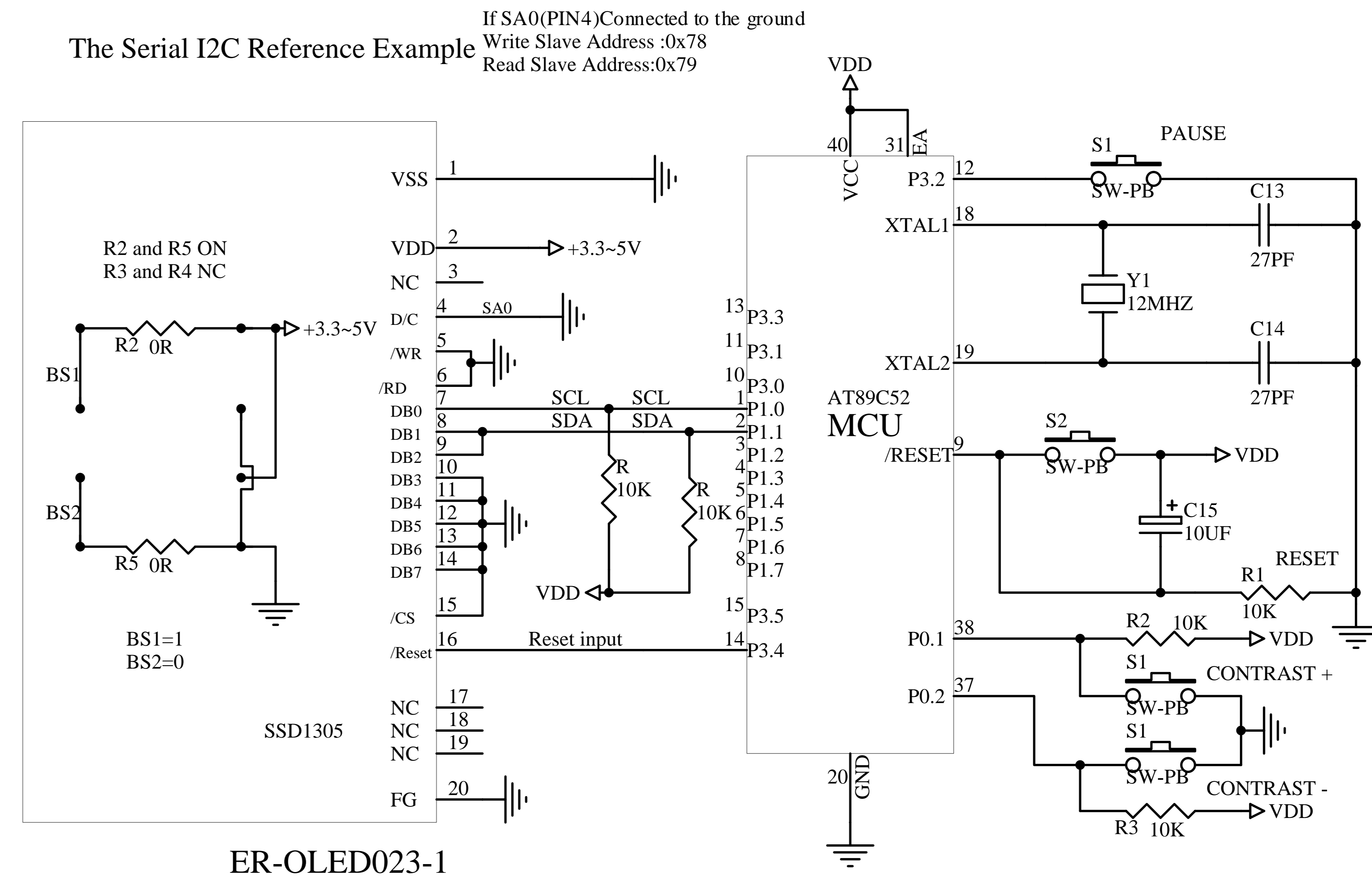
ER-OLED023-1

The Serial 4 Line SPI Reference Example



ER-OLED023-1

The Serial I2C Reference Example



ER-OLED023-1

If SA0(PIN4) Connected to the ground
Write Slave Address :0x78
Read Slave Address:0x79



Title EASTRISING TECHNOLOGY CO.,LTD.			
Size A	Number ER-OLEDM023-1	Revision A0	
Date: 03-Feb-2010	File	Sheet of 1	Drawn By Javen