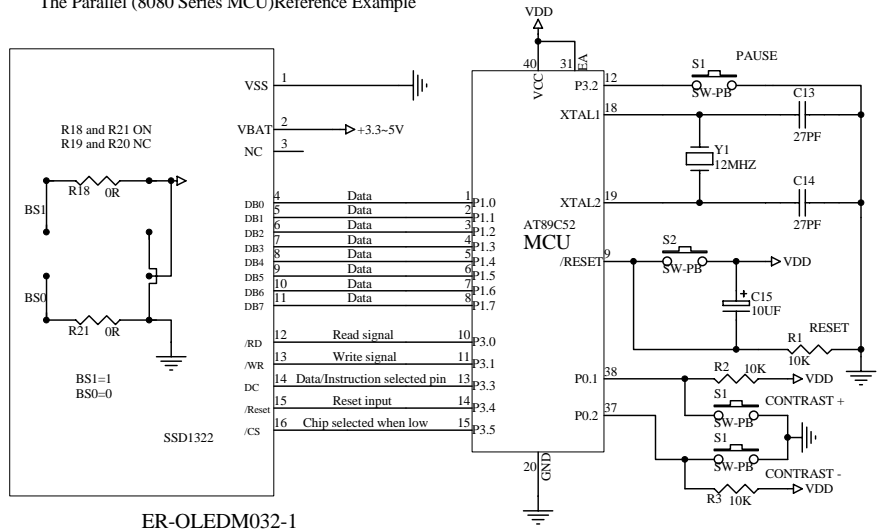


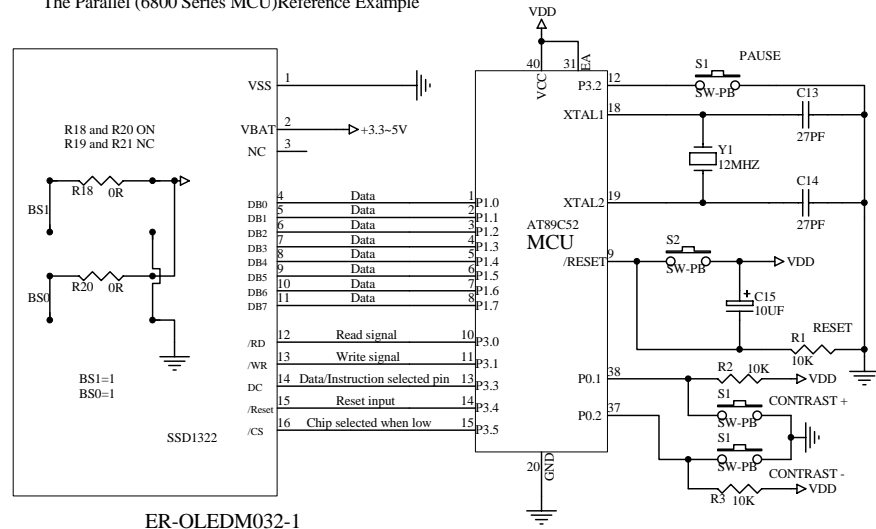
# Interfacing OLED Modules to the AT89C52 MCU

The Parallel (8080 Series MCU) Reference Example



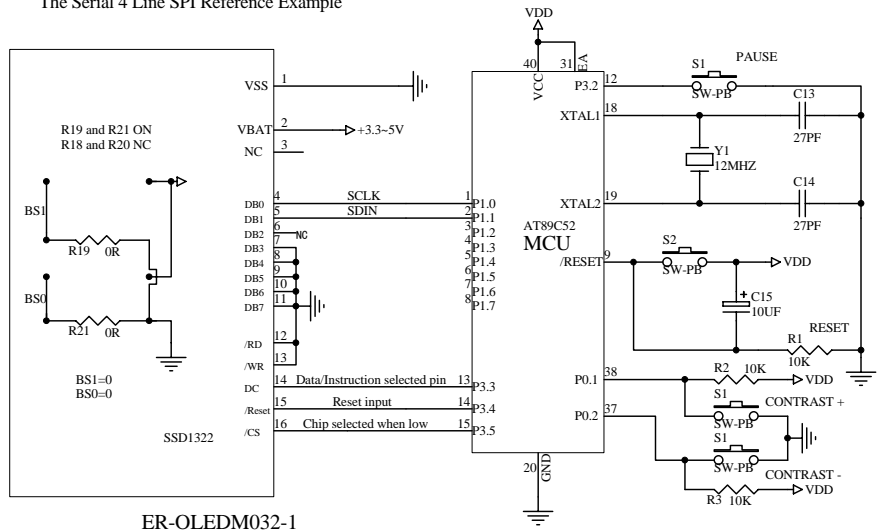
ER-OLEDM032-1

The Parallel (6800 Series MCU) Reference Example



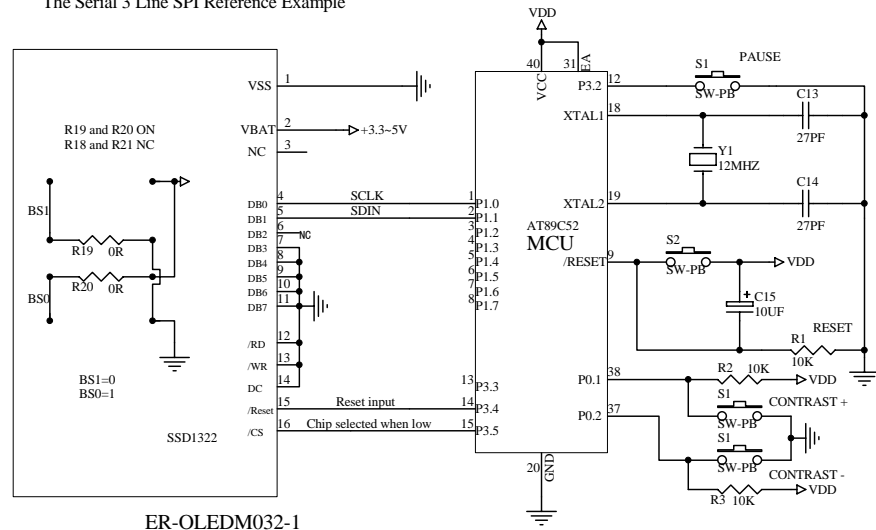
ER-OLEDM032-1

The Serial 4 Line SPI Reference Example



ER-OLEDM032-1

The Serial 3 Line SPI Reference Example



ER-OLEDM032-1

Title **EASTRISING TECHNOLOGY CO.,LTD.**

REV.	DESCRIPTION OF MODIFY	MODIFY BY	DATE	Size	Number	Revision
A0	1' ST DESIGN	J1M	01.05.2013	A	ER-OLEDM032-1 Series	A0
A1				Date:	01-May-2013	Sheet of 1
				File		Drawn By Javen