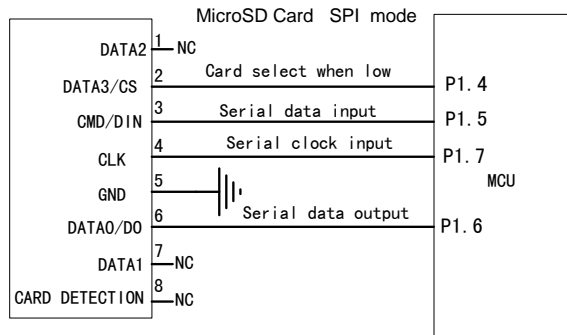
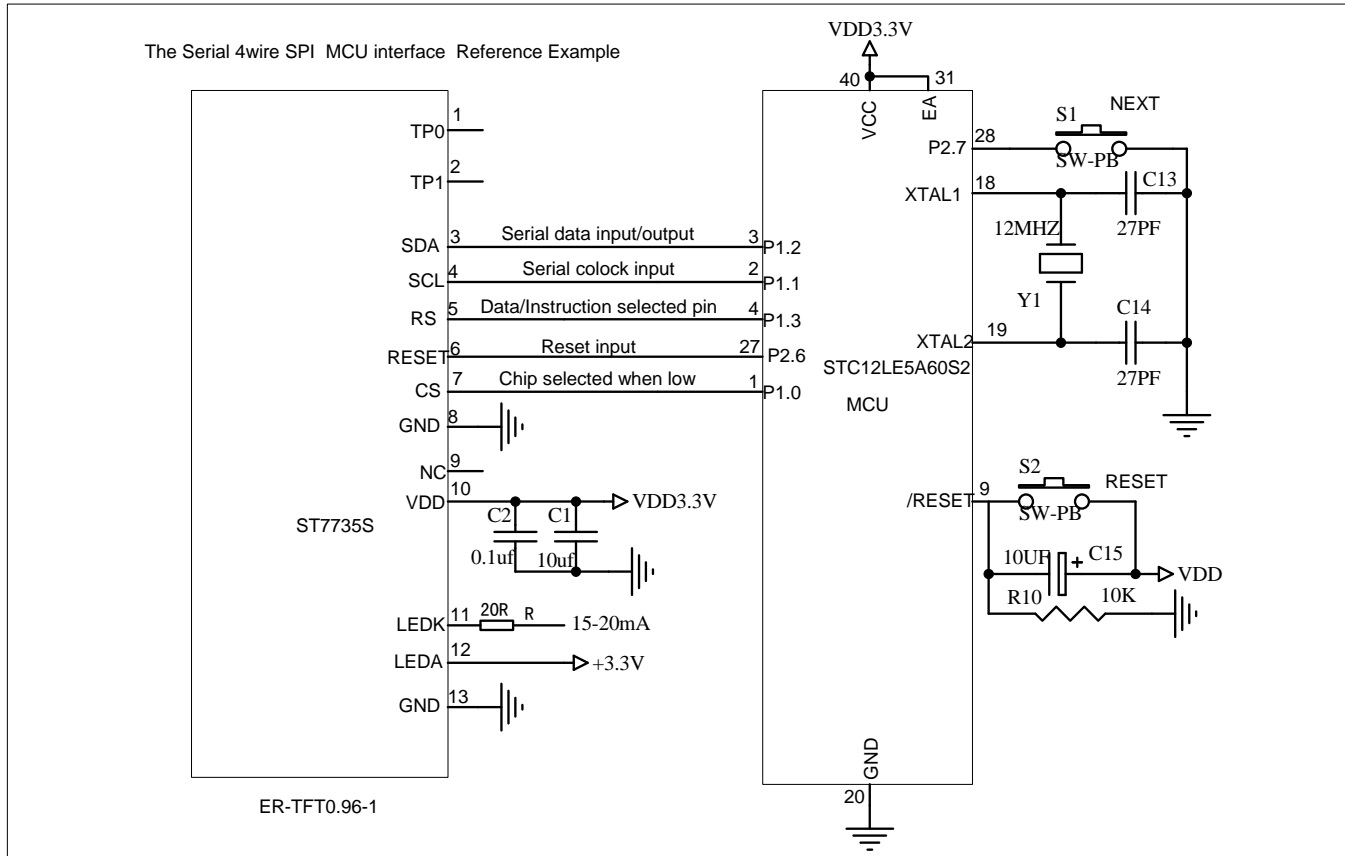


Interfacing TFT Display ER-TFT0.96-1 to MCU STC12LE5A60S2



Title EASTRISING TECHNOLOGY CO.,LTD.

| REV. | DESCRIPTION OF MODIFY | MODIFY BY | DATE | Size | Number | Revision |
|------|-----------------------|-----------|-------------|-------|--------------|----------------|
| A0 | 1' ST DESIGN | JIM | Oct/27/2018 | A | ER-TFT0.96-1 | A0 |
| A1 | | | | Dateo | Oct/27/2018 | Sheet of 1 |
| A2 | | | | File | | Drawn By Javen |