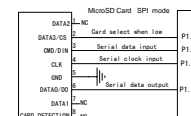
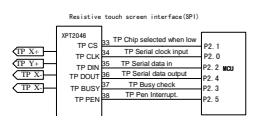
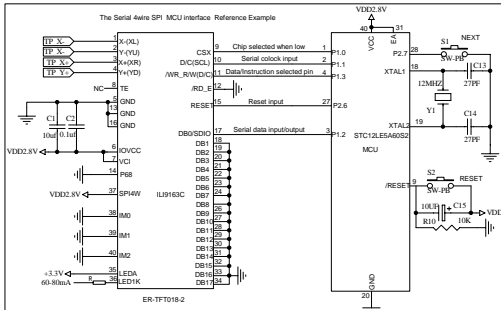
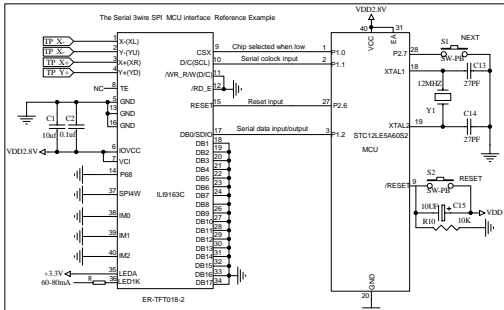
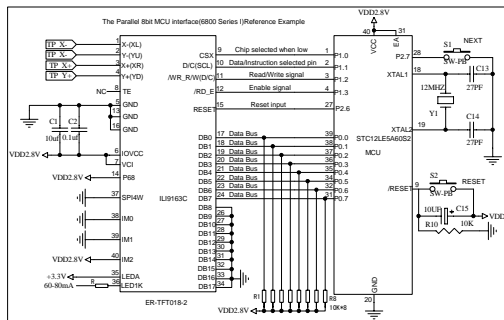
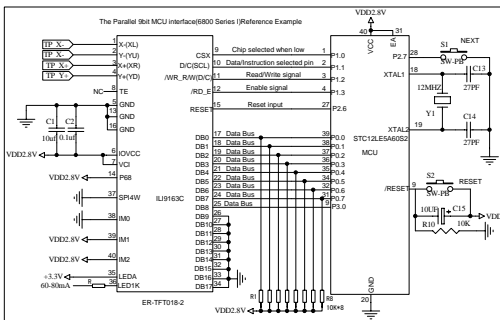
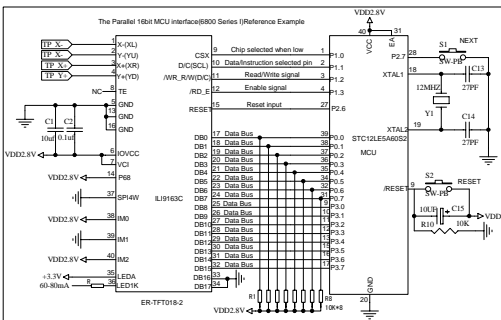
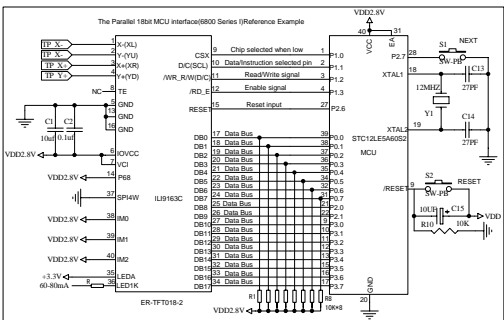
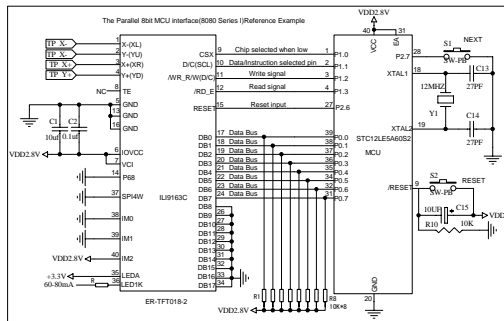
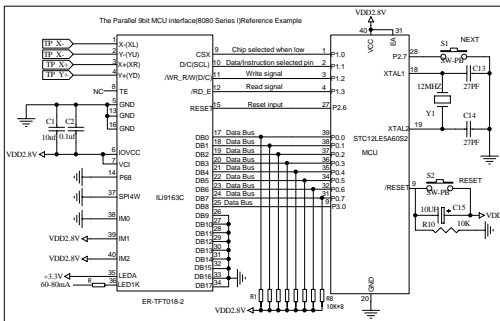
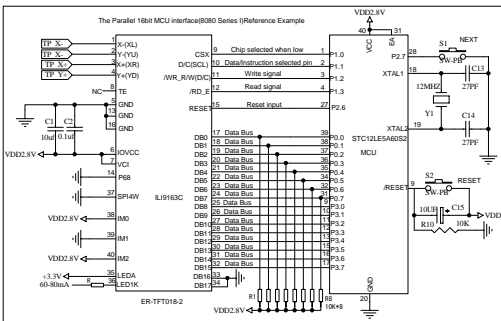
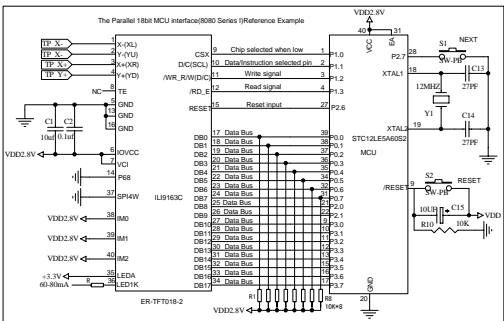


Interfacing TFT LCD Display ER-TFT018-2 to MCU STC12LE5A60S2



EASTRISING TECHNOLOGY CO.,LTD.

REV	DESCRIPTION OF MODIFY	MODIFY BY	DATE	Size	Number	Revision
A0	1-1ST DESIGN	JW	JAN/13/2016	A	1	AD
A1				Date	JAN/13/2016	Sheet of 1
A2				File		Drawn By: Japan