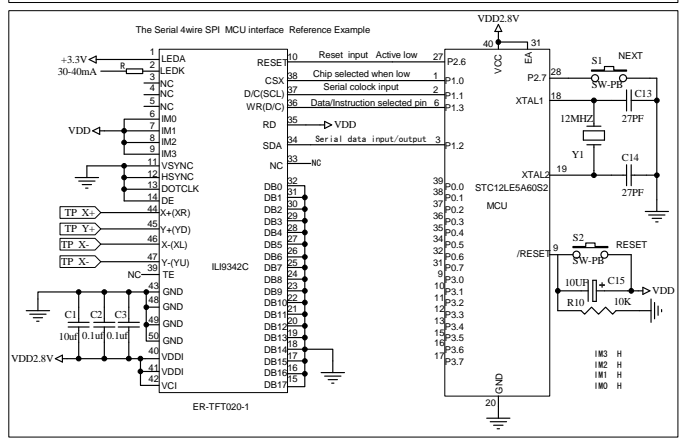
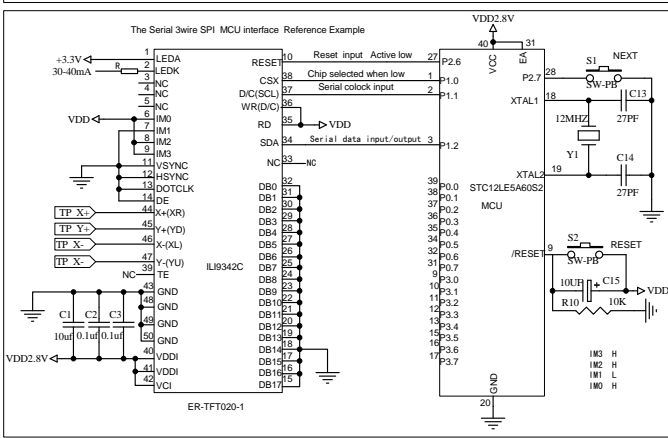
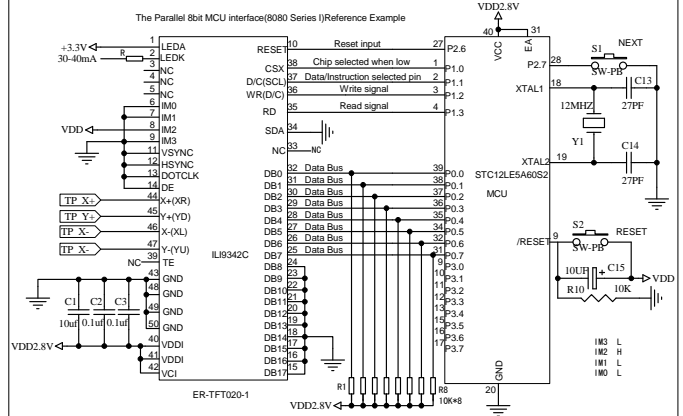
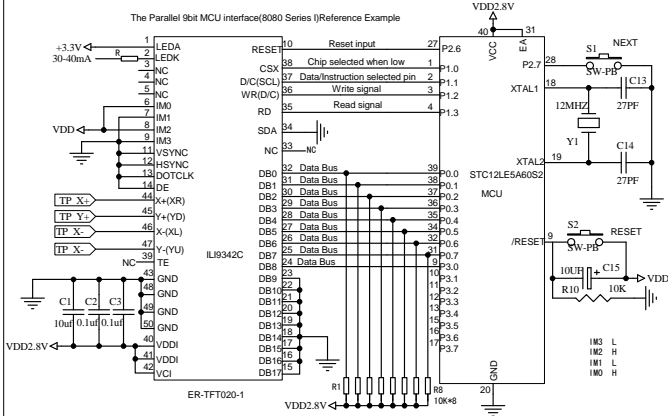
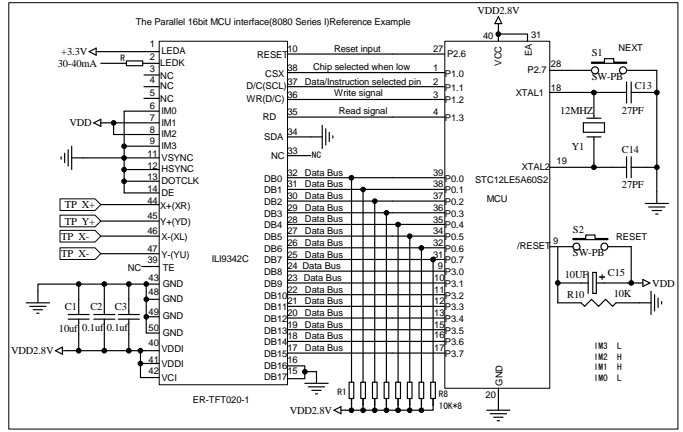
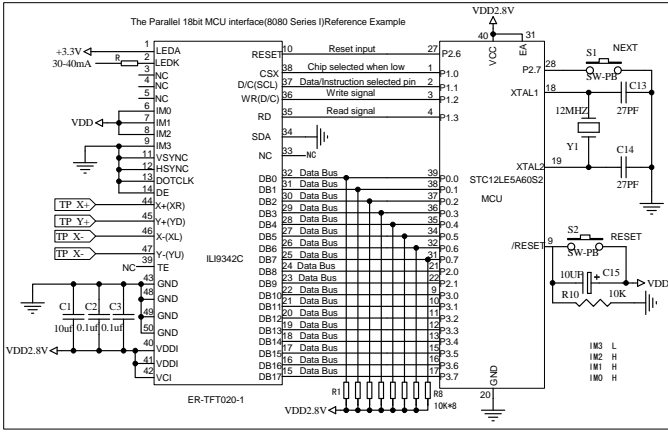
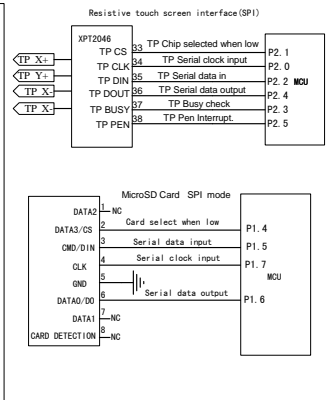
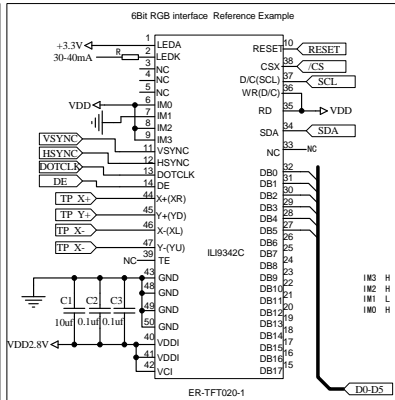
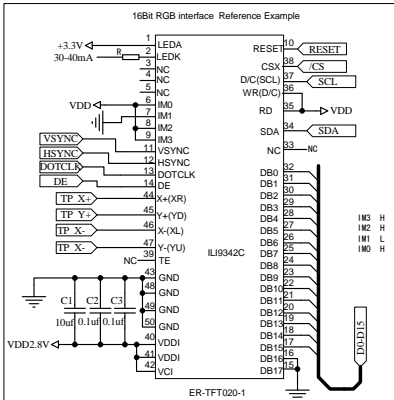
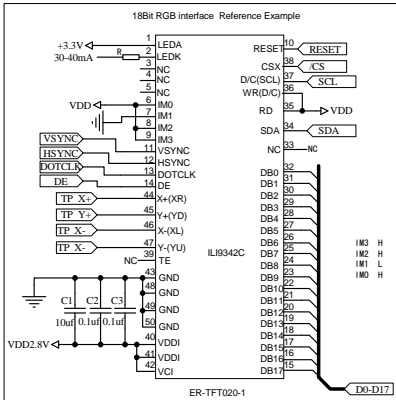


Interfacing TFT LCD Module ER-TFT020-1 to MCU STC12LE5A60S2



RGB Interfacing



REV.	DESCRIPTION OF MODIFY	MODIFY BY	DATE	Size	Number	Revision
A0	1'ST DESIGN	JHM	25-MAY-2019	A	ER-TFT020-1	A0
A1					Date:25-MAY-2019	Sheet of 1
A2					File	Drawn By: Javen