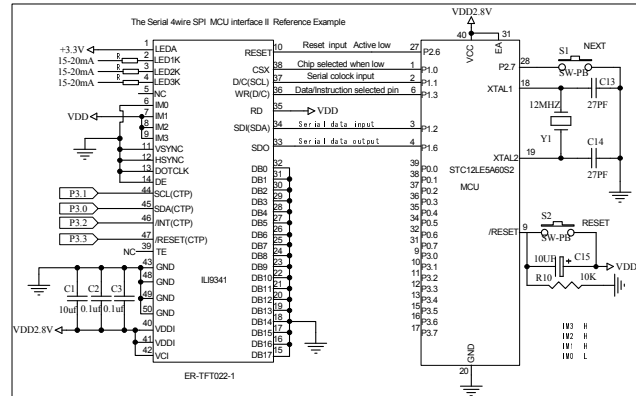
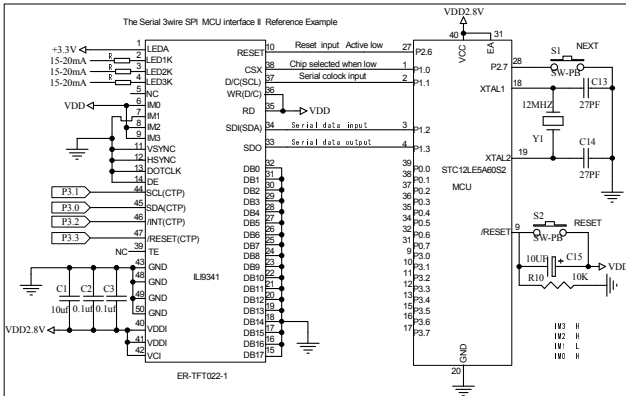
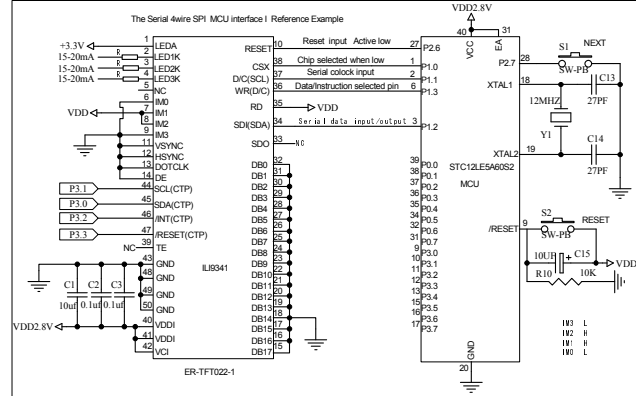
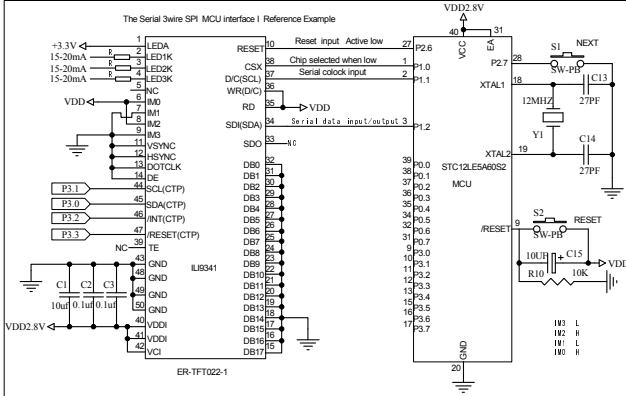
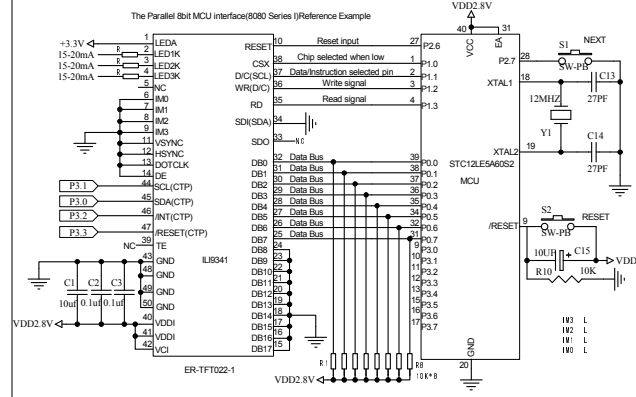
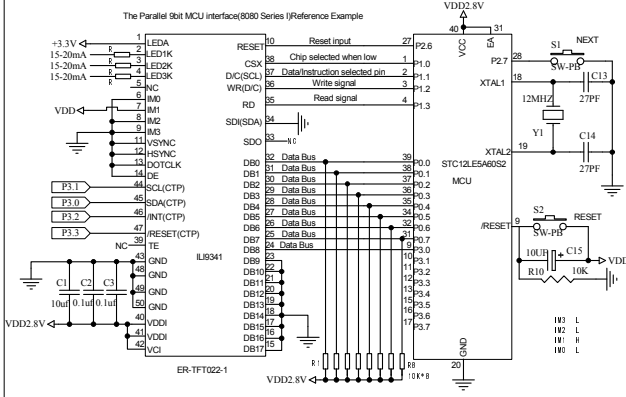
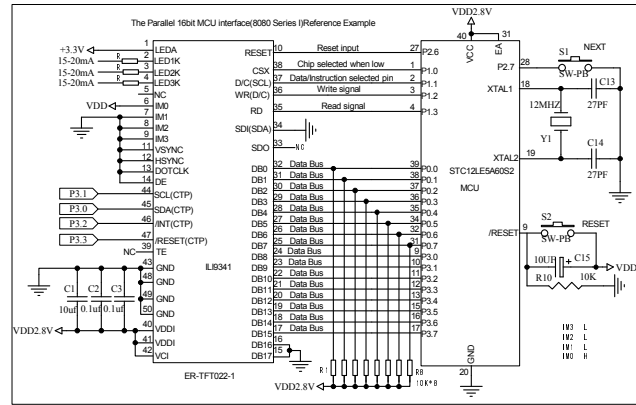
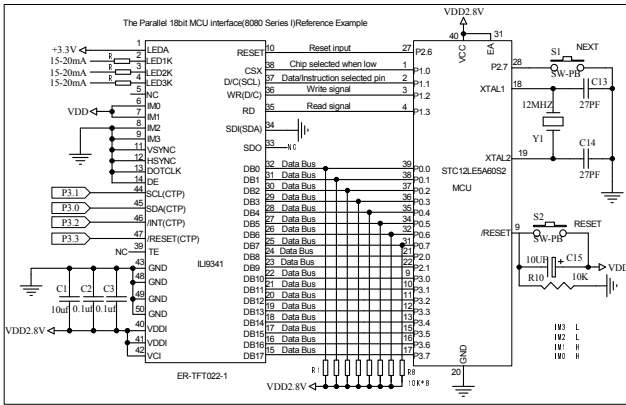
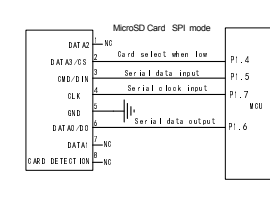
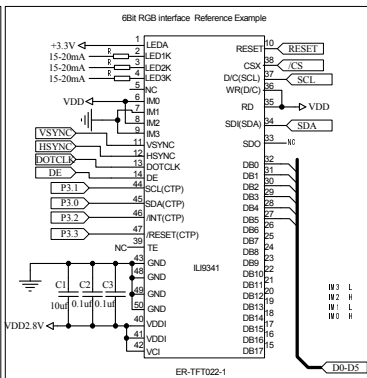
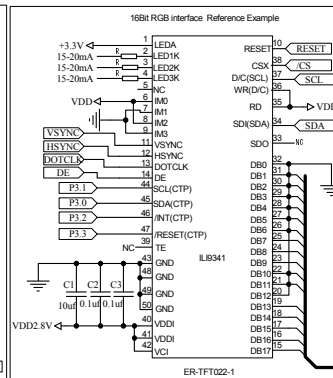
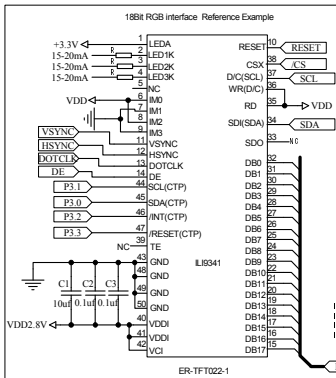


TFT LCD MODULE ER-TFT022-1 to MCU STC12LE5A60S2 Interfacing



RGB Interfacing LCD Modules to the LCD Controller or Built-in LCD controller MCU



EASTRISING TECHNOLOGY CO., LTD.				
REV.	DESCRIPTION OF MODIFY	MODIFY BY	DATE	
A0	1ST DESIGN	J.W	NOV/17/2020	Size A
A1				Number
A2				Date: NOV/17/2020

File	ER-TFT022-1	Revision	A0
Sheet of	1	Drawn By	Javen