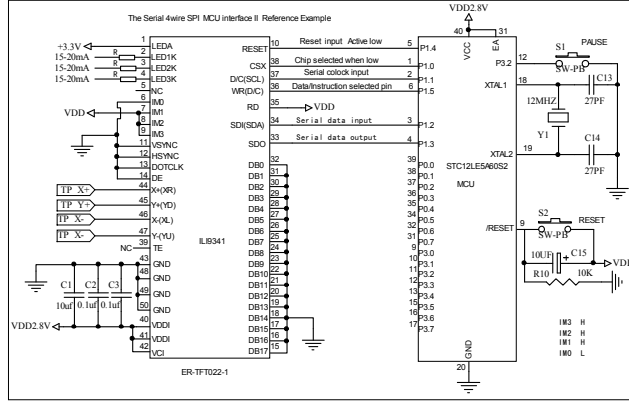
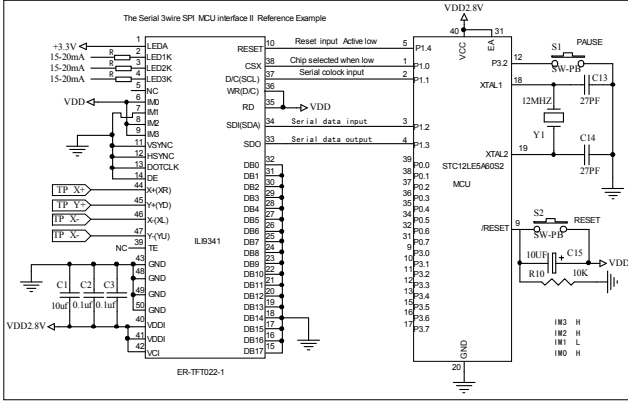
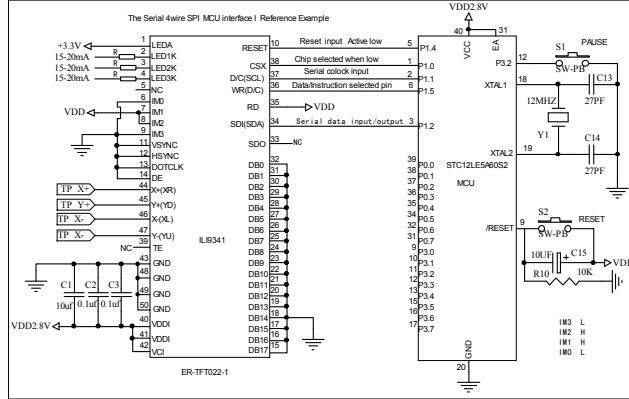
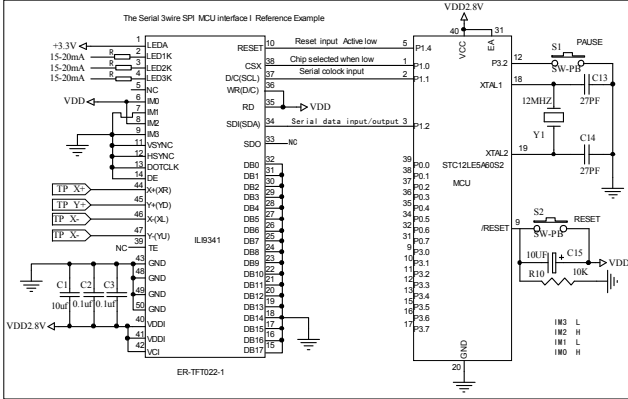
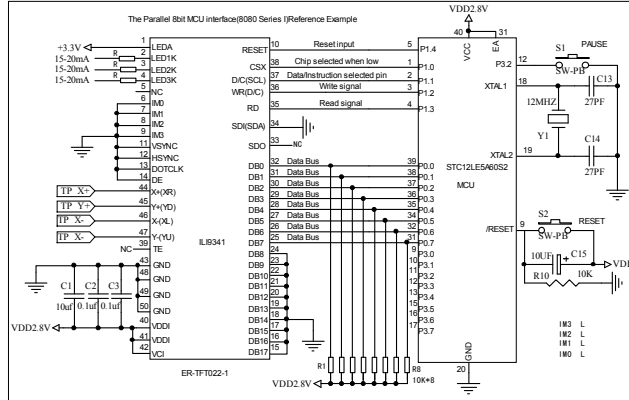
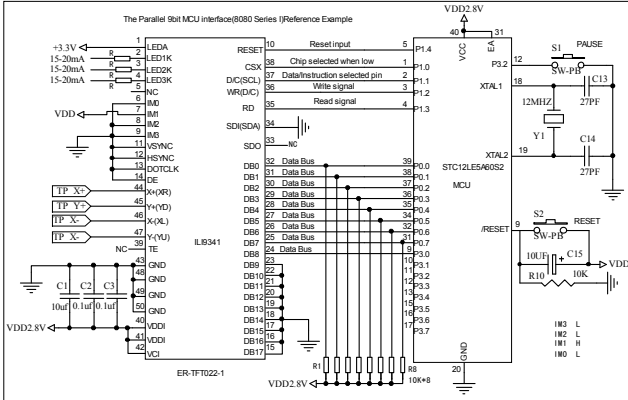
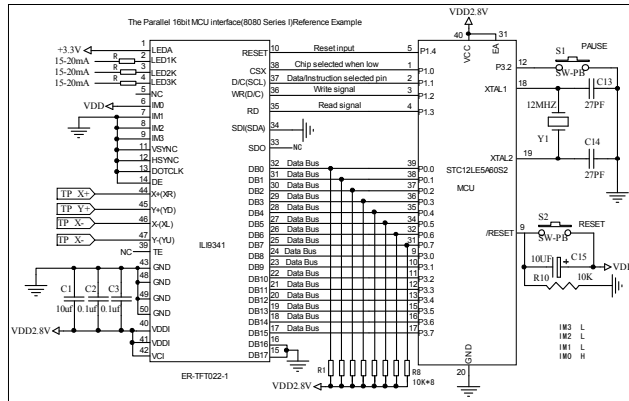
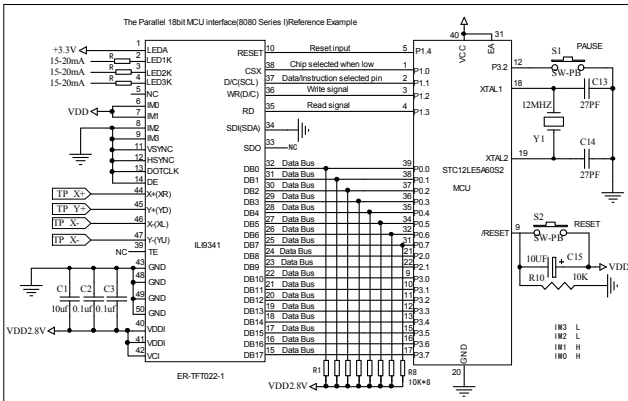
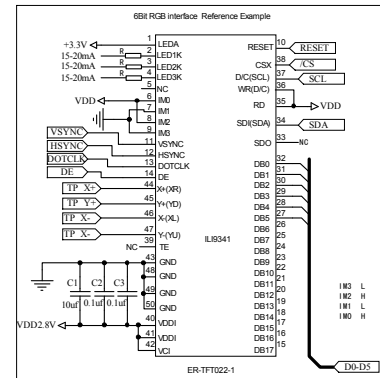
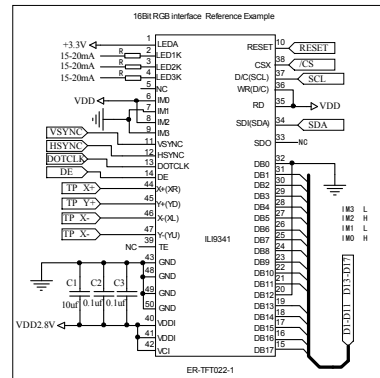
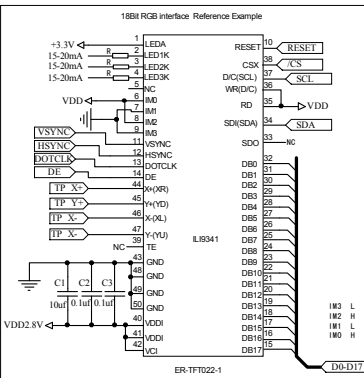


# TFT LCD MODULE ER-TFT022-1 to MCU AT89LV52 Interfacing



## RGB Interfacing

## LCD Modules to the LCD Controller or Built-in LCD controller MCU



Title EASTRISING TECHNOLOGY CO.,LTD.

REV.	DESCRIPTION OF MODIFY	MODIFY BY	DATE	Size	Number	Revision
A0	1 <sup>ST</sup> DESIGN	J.W	Apr/07/2015	A	ER-TFT022-1	A0
A1				Date:	Apr/07/2015	Sheet of 1
A2				File		Drawn By J.Wen