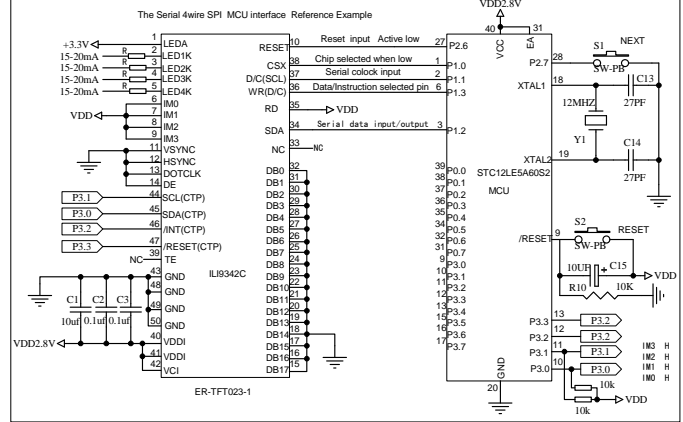
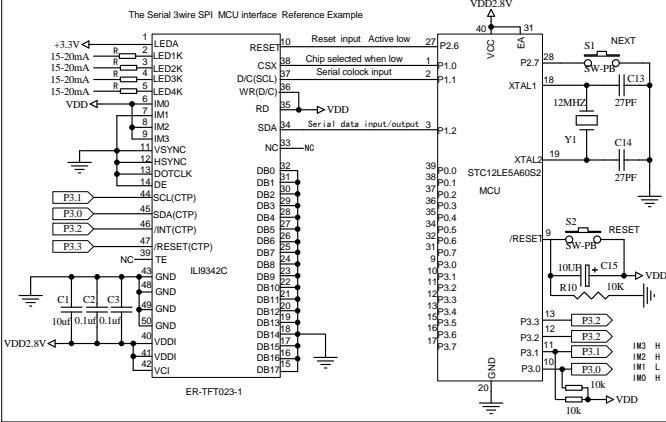
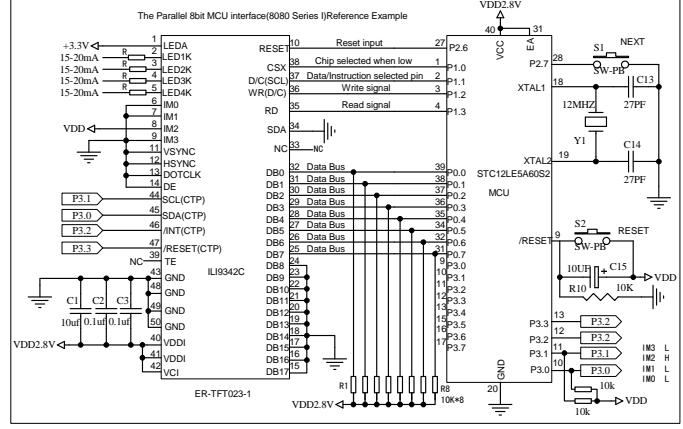
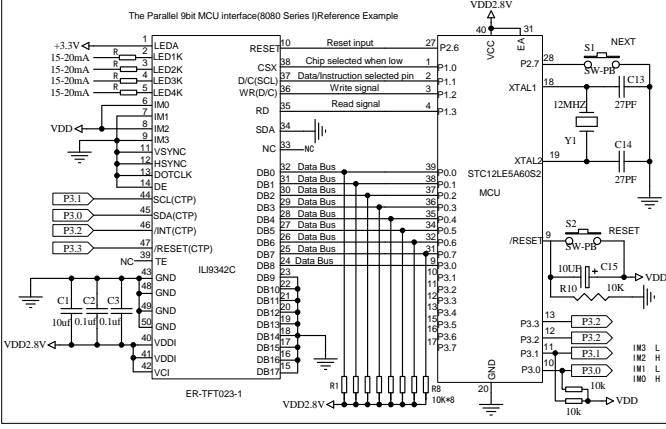
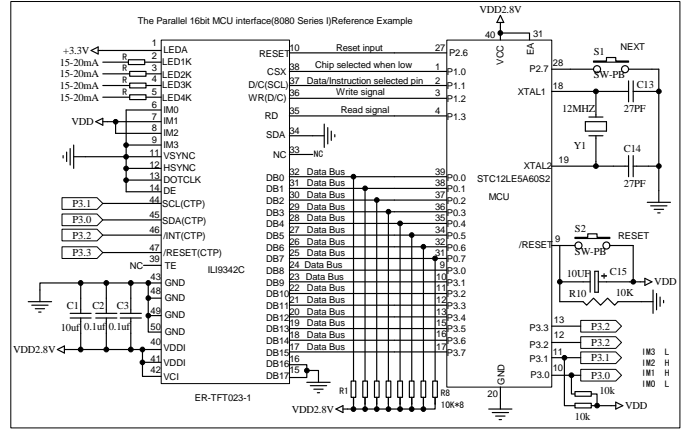
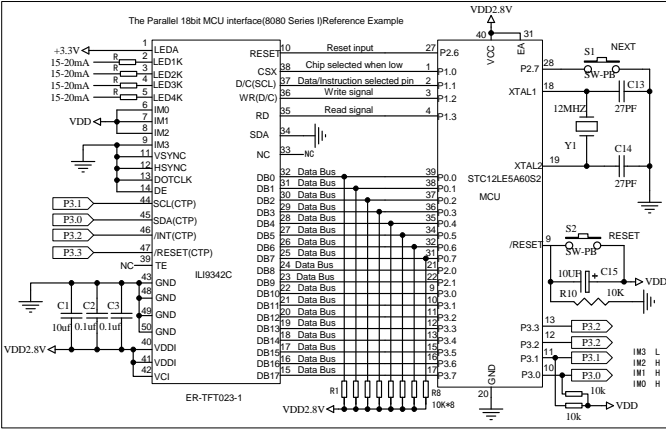
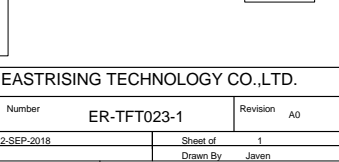
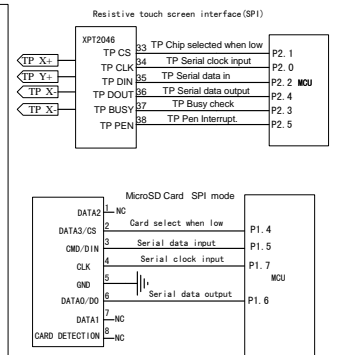
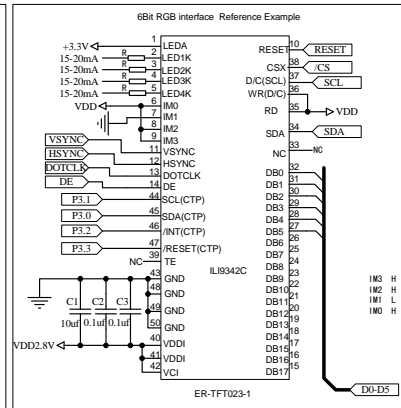
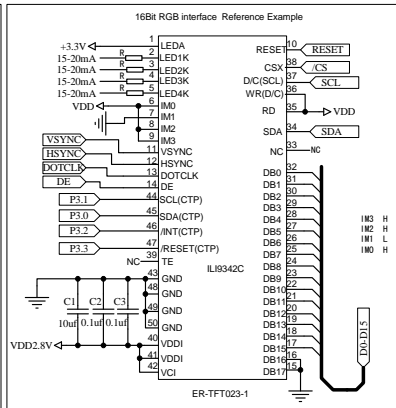
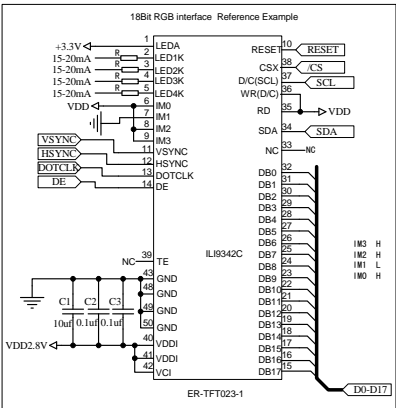


Interfacing ER-TFT023-1 with Capacitive Touch to MCU STC12LE5A60S2



RGB Interfacing

LCD Modules to the LCD Controller or Built-in LCD controller MCU



Title EASTRISING TECHNOLOGY CO.,LTD.

REV.	DESCRIPTION OF MODIFY	MODIFY BY	DATE	Size	Number	Revision
A0	T ST DESIGN	JIM	12-SEP-2018	A	ER-TFT023-1	A0
A1						
A2						