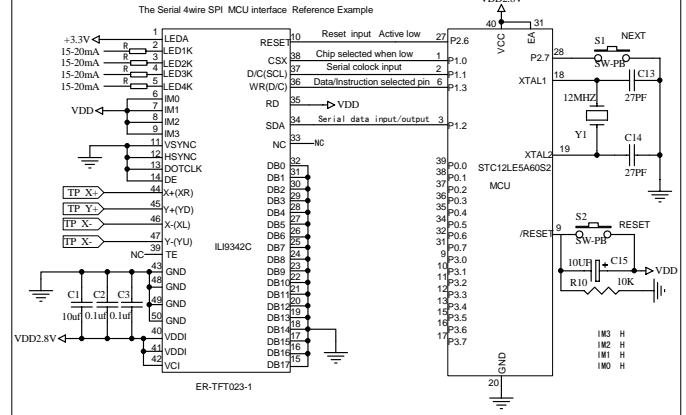
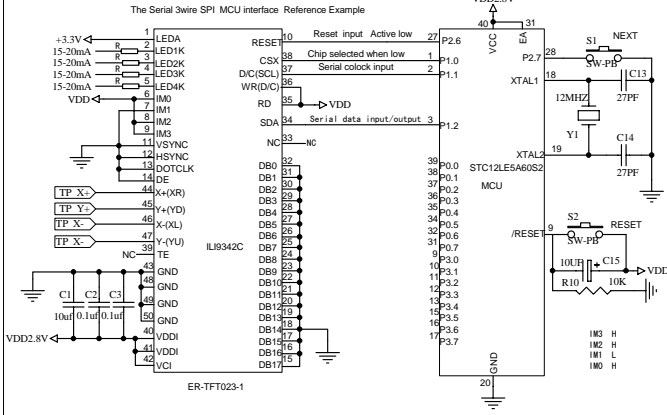
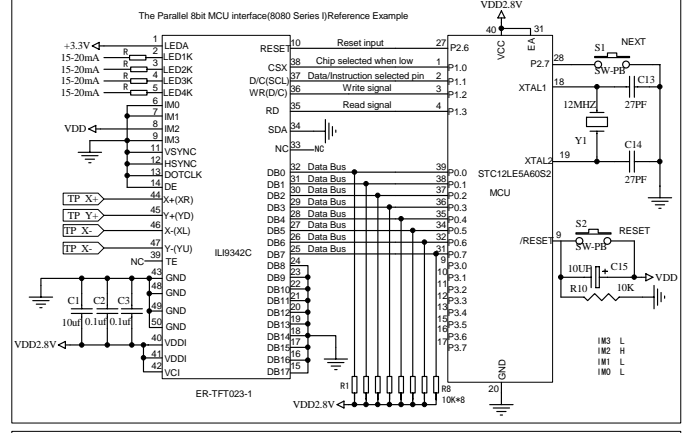
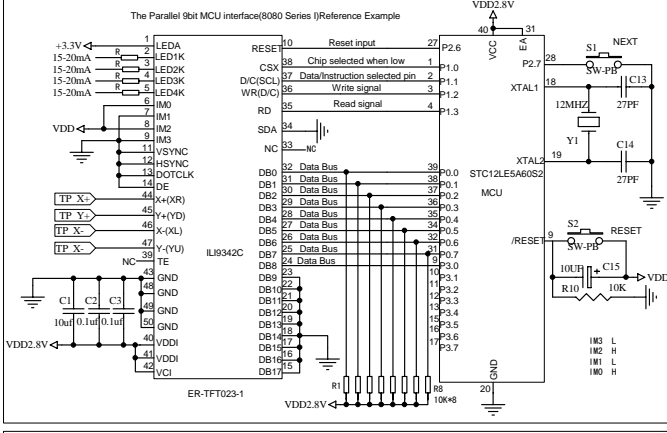
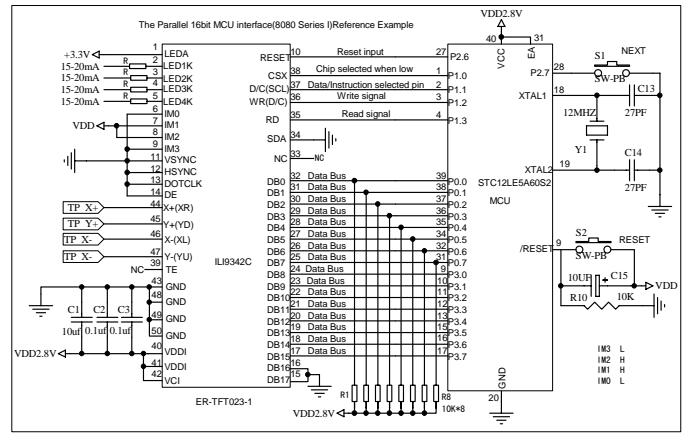
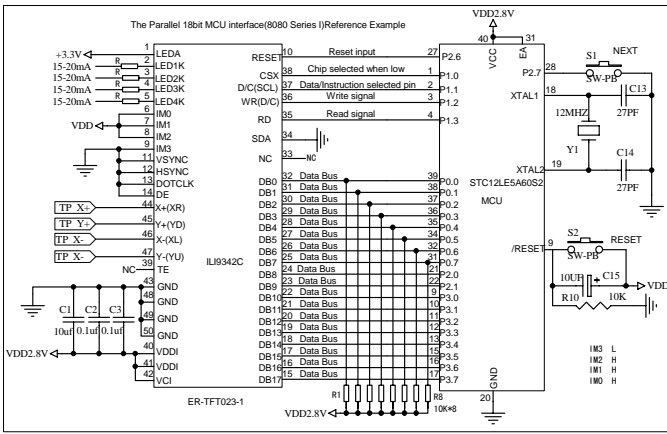
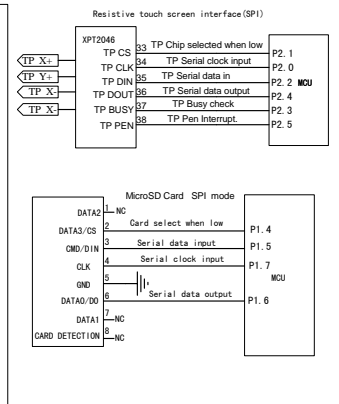
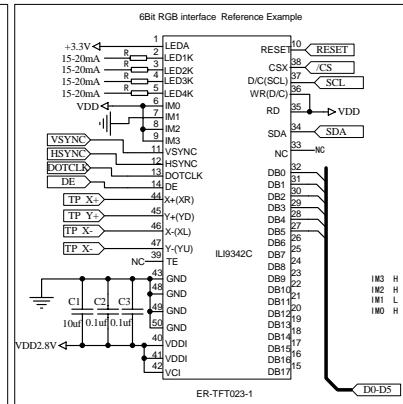
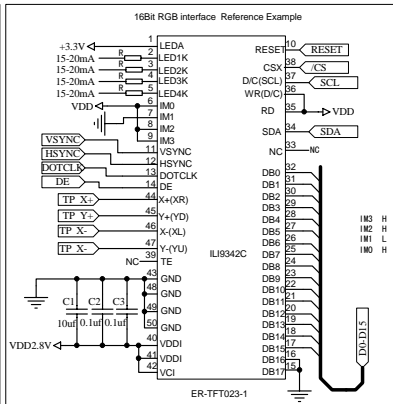
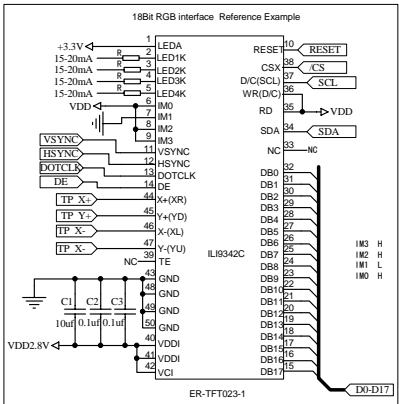


# Interfacing ER-TFT023-1 with Resistive Touch to MCU STC12LE5A60S2



## RGB Interfacing

## LCD Modules to the LCD Controller or Built-in LCD controller MCU



Title EASTRISING TECHNOLOGY CO.,LTD.

REV.	DESCRIPTION OF MODIFY	MODIFY BY	DATE	Size	Number	Revision
A0	T ST DESIGN	JIM	25-DEC-2015	A	ER-TFT023-1	A0
A1						
A2						

Date: 25-DEC-2015  
Sheet of 1  
Drawn By Javen