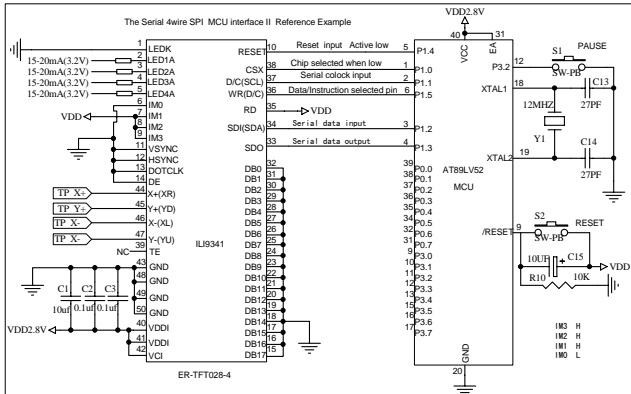
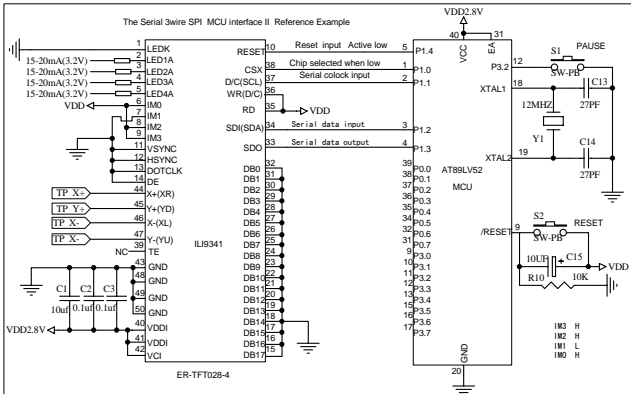
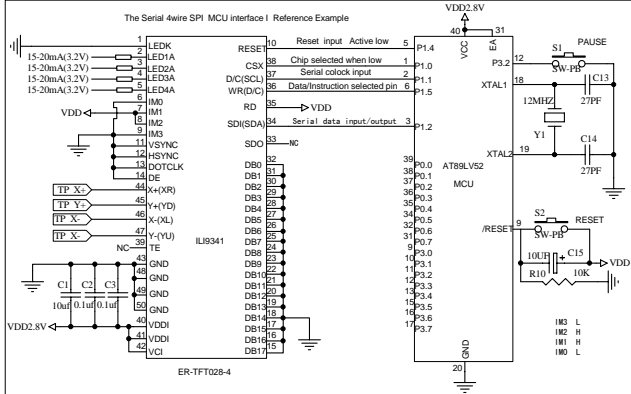
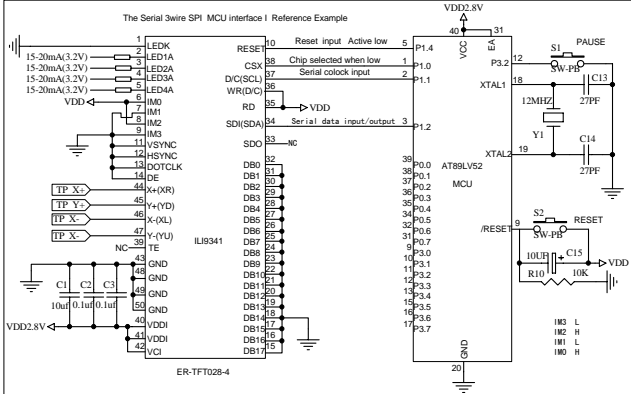
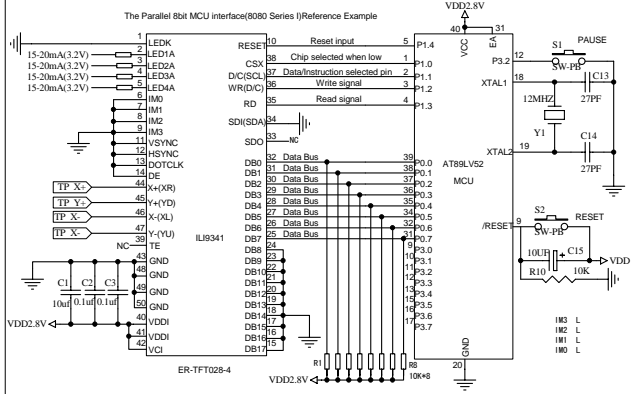
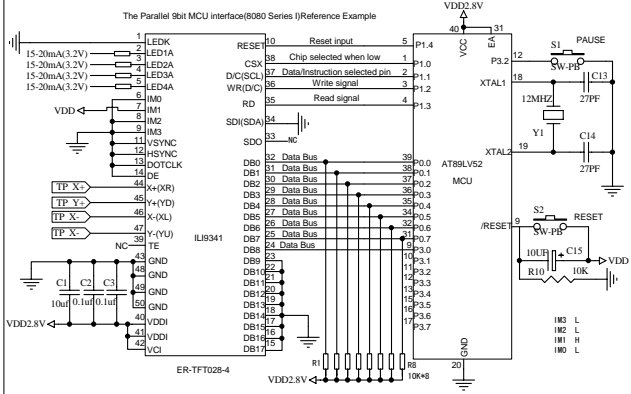
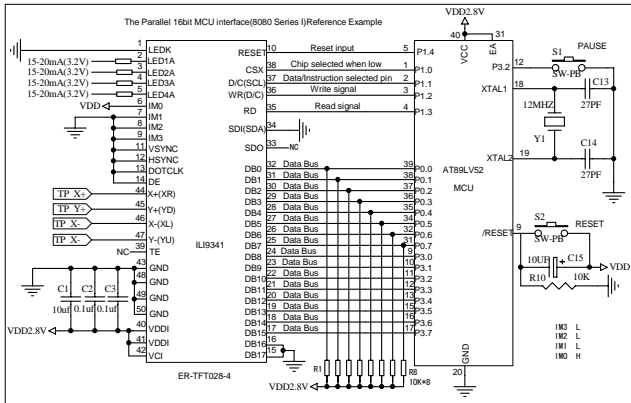
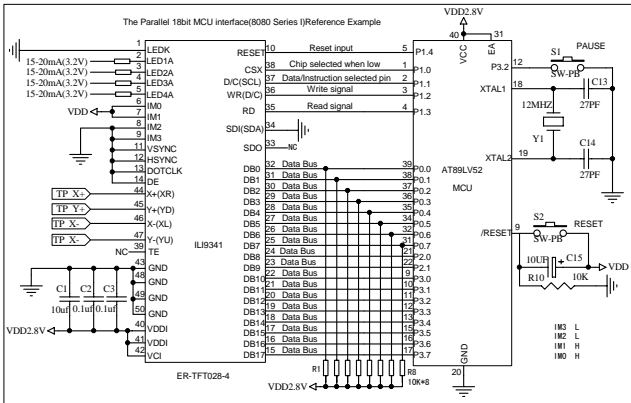
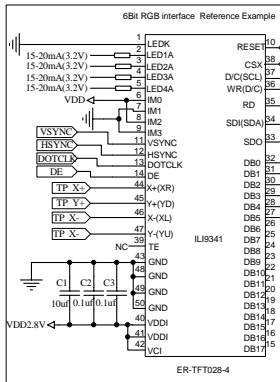
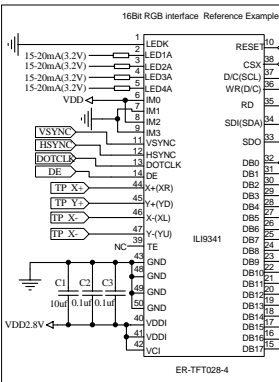
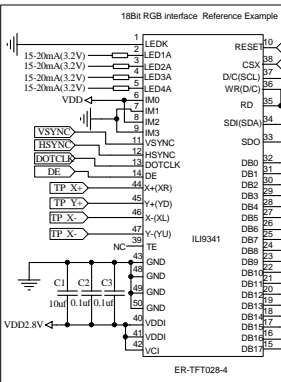


Interfacing ER-TFT028-4 with Resistive Touch Panel with AT89LV52



RGB Interfacing



Title EASTRISING TECHNOLOGY CO.,LTD.

REV.	DESCRIPTION OF MODIFY	MODIFY BY	DATE	Size	Number	Revision
A0	1 ST DESIGN	JJM	2013.01.23	A	ER-TFT028-4	A0
A1	MODIFY THE DESIGN FROM 1'S DESCRIPTION	JJM	2013.03.30		Date: 23-JAN-2013	Sheet of 1
A2	MODIFY THE DESCRIPTION TO MAKE IT CORRECT	JJM	2013.04.16	File		Drawn By: Javen