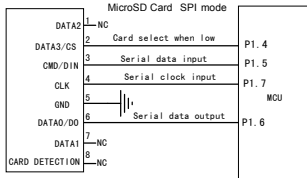
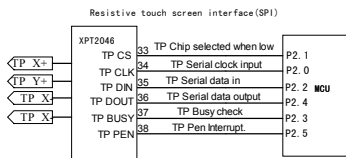
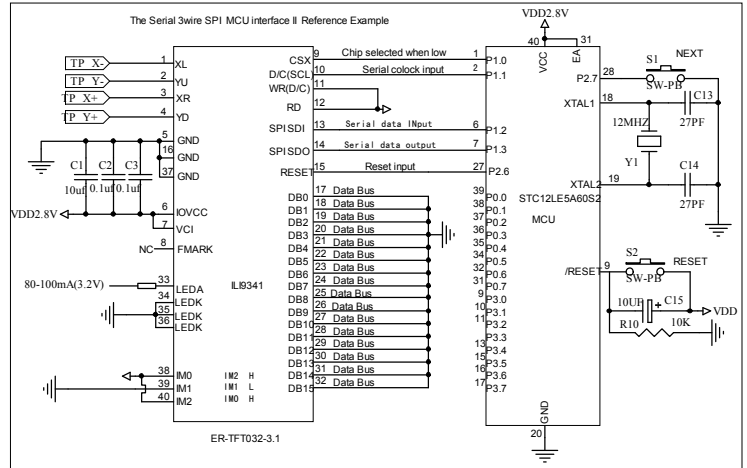
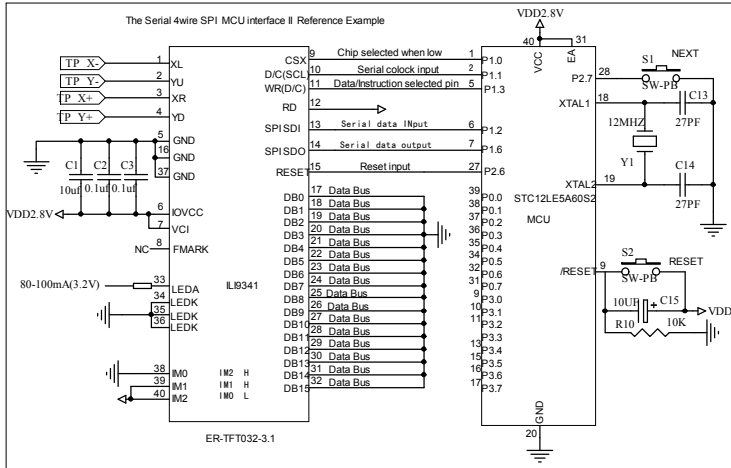
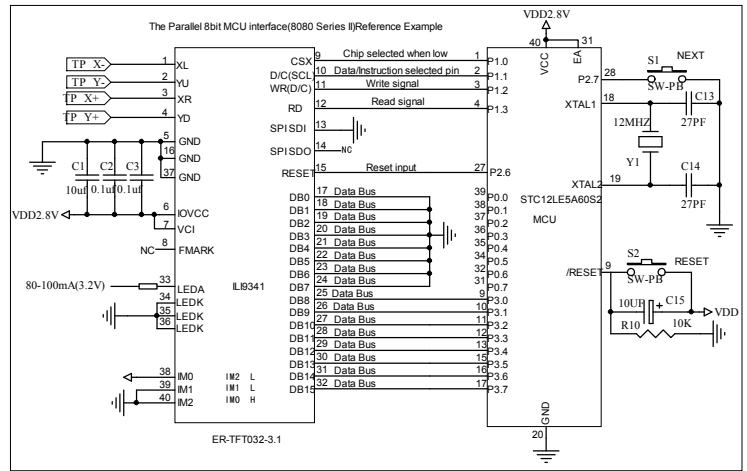
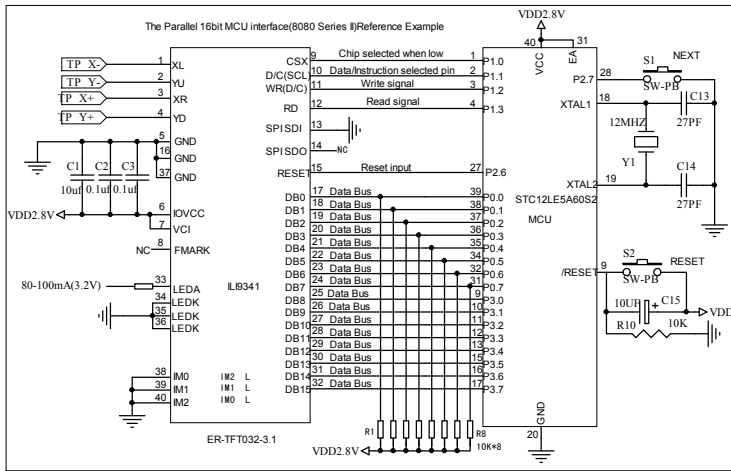


Interfacing TFT LCD Module ER-TFT032-3.1

with Resistive Touch Panel to MCU STC12LE5A60S2

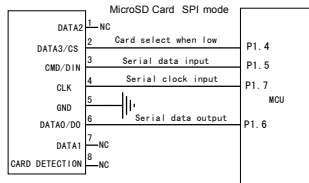
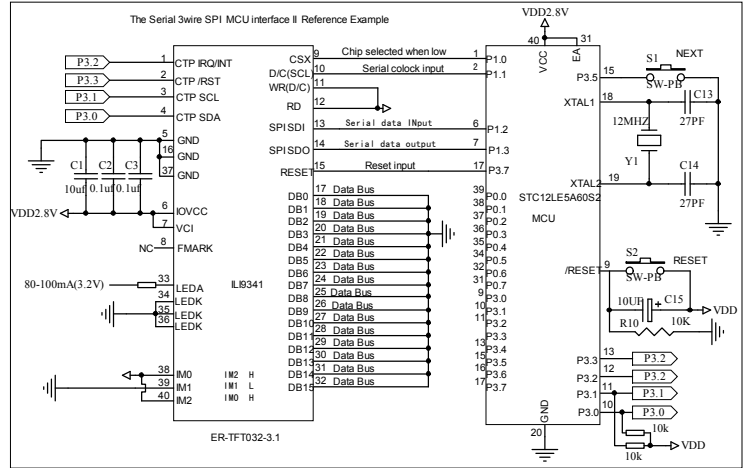
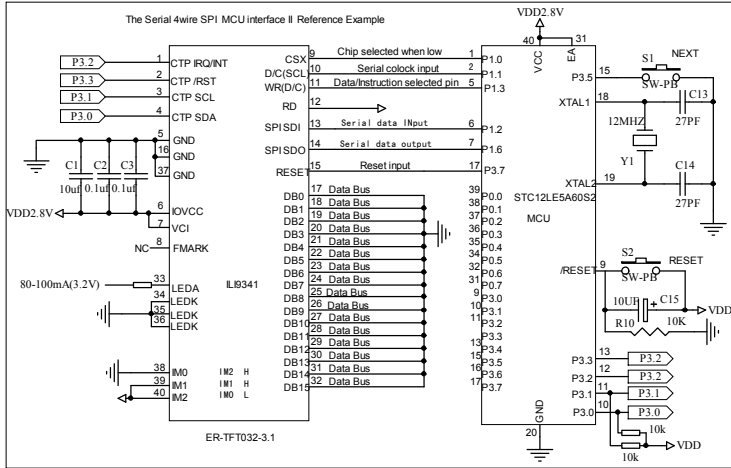
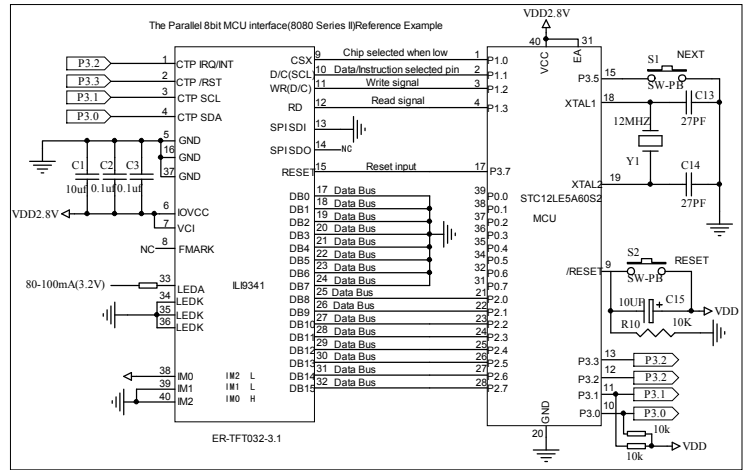
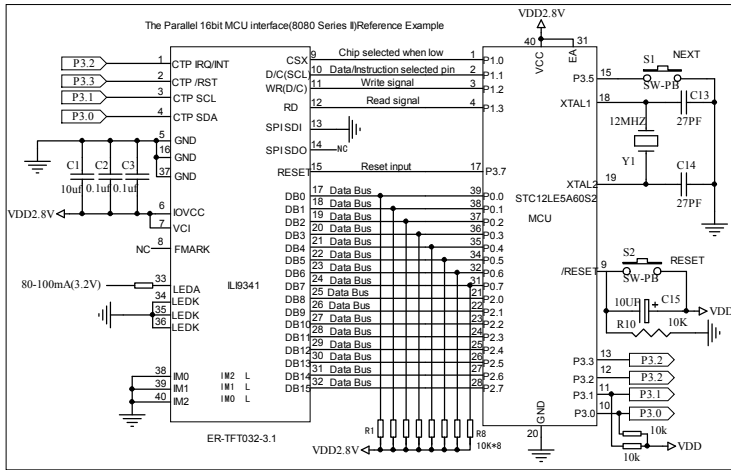


Title EASTRISING TECHNOLOGY CO.,LTD.

REV.	DESCRIPTION OF MODIFY	MODIFY BY	DATE	Size	Number	Revision
A0	1 ST DESIGN	JIM	20-SEP-2017	A	ER-TFT032-3.1	A0
A1				Date:	20-SEP-2017	Sheet of 1
A2				File		Drawn By Javen

Interfacing TFT LCD Module ER-TFT032-3.1

with Capacitive Touch Panel to MCU STC12LE5A60S2



REV.		DESCRIPTION OF MODIFY	MODIFY BY	DATE	Size	Number	Revision
A0		1 ST DESIGN	JIM	20-SEP-2017	A	ER-TFT032-3.1	A0
A1					Date:	20-SEP-2017	Sheet of 1
A2					File:		Drawn By Javen

Title		EASTRISING TECHNOLOGY CO.,LTD.	
REV.	DESCRIPTION OF MODIFY	MODIFY BY	DATE
A0	1 ST DESIGN	JIM	20-SEP-2017
A1			
A2			

Date: 20-SEP-2017 Sheet of 1

File: Drawn By Javen