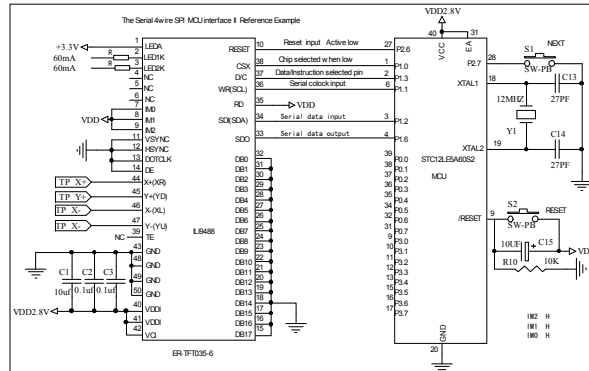
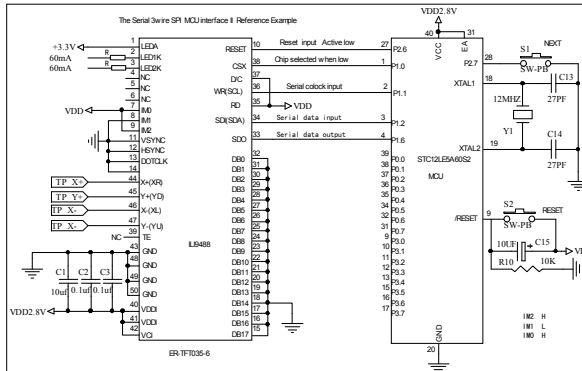
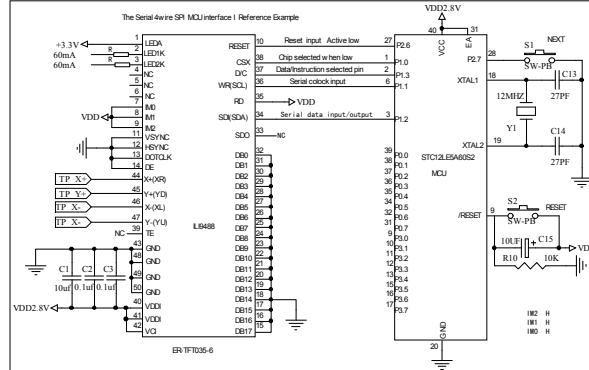
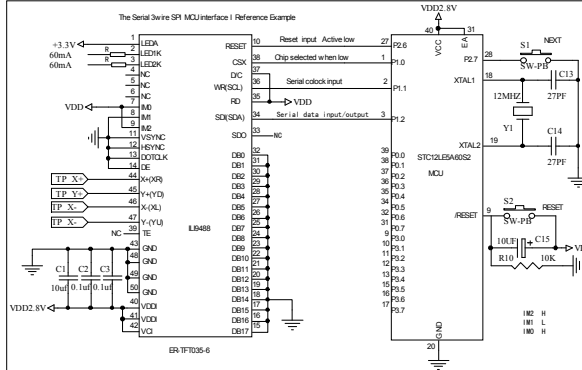
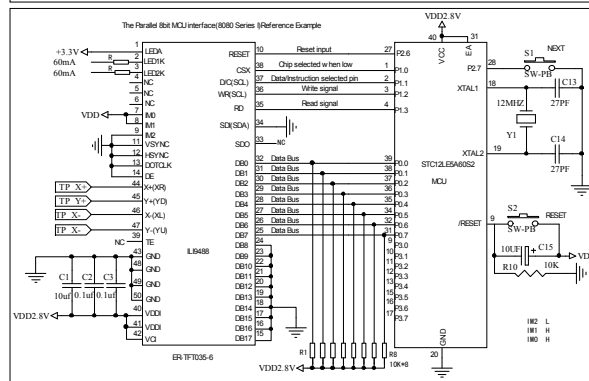
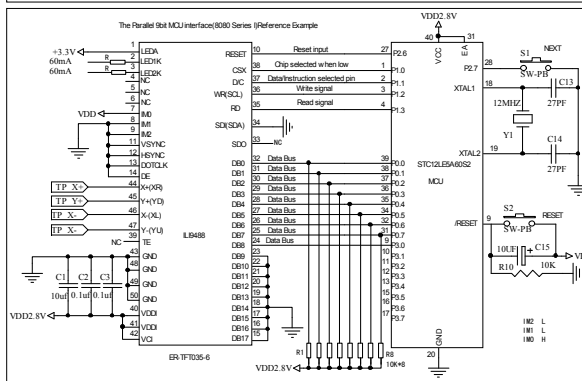
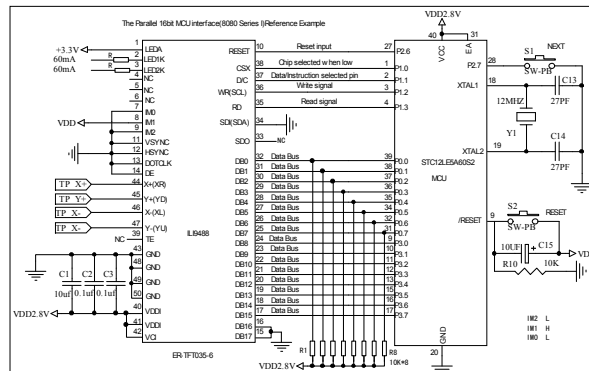
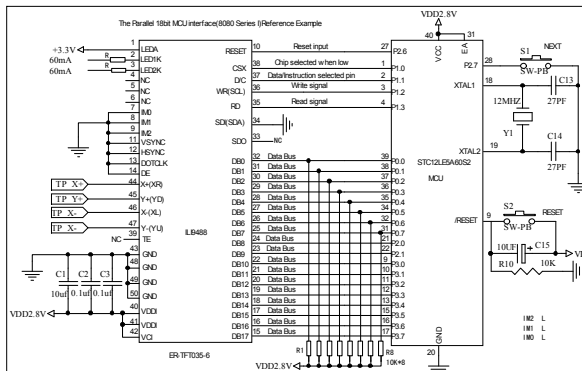
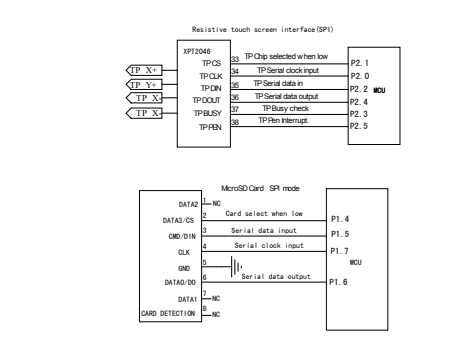
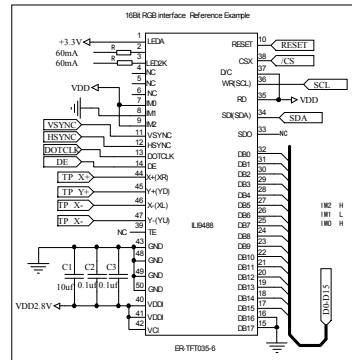
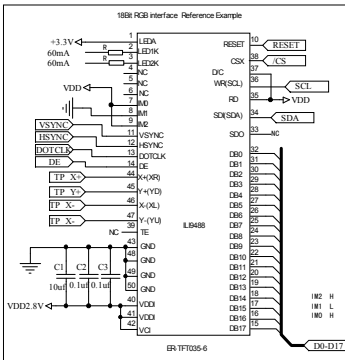


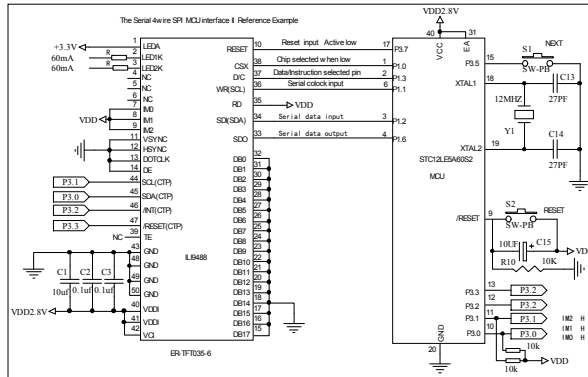
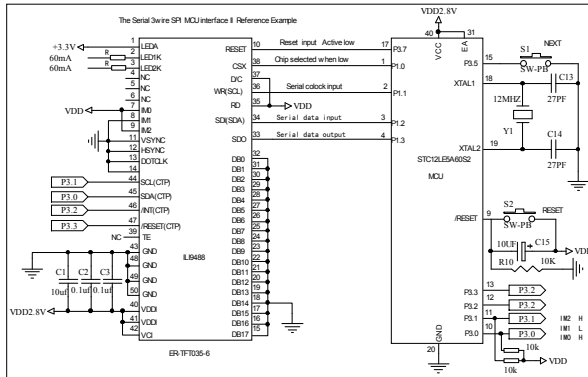
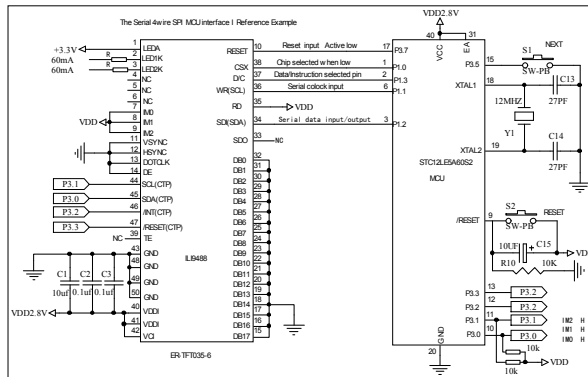
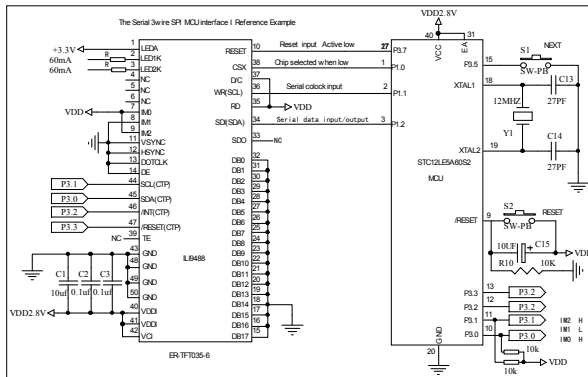
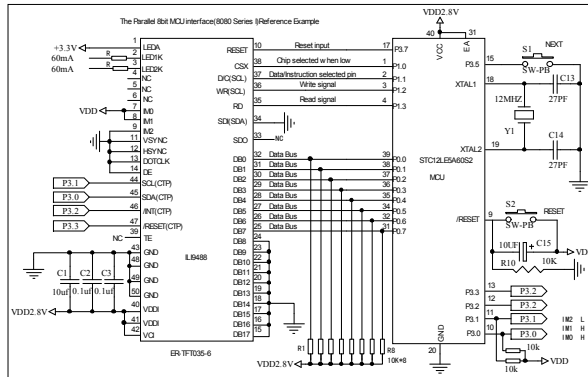
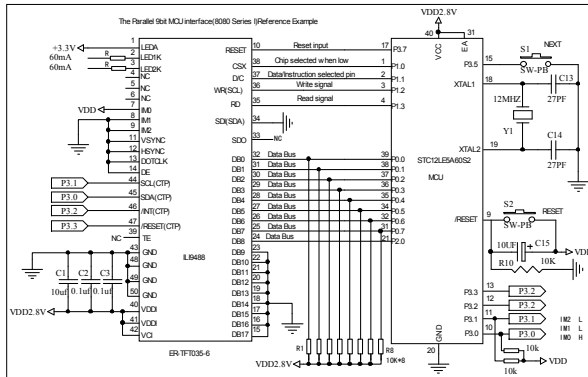
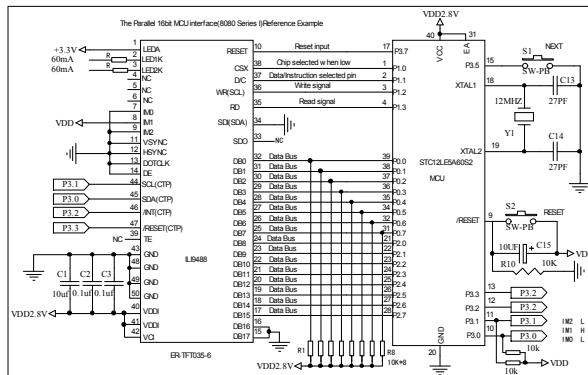
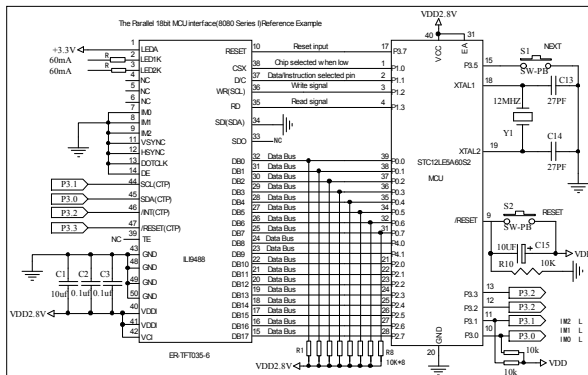
# Interfacing TFT LCD Display ER-TFT035-6 with Resistive Touch Panel to MCU STC12LE5A60S2



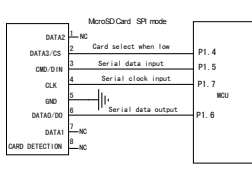
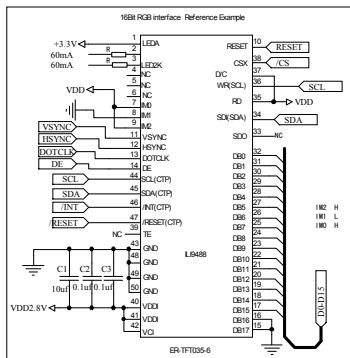
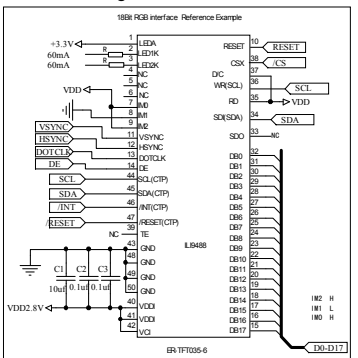
## RGB Interfacing to TFT LCD Controller or to MCU built-in TFT LCD Controller



# Interfacing TFT LCD Display ER-TFT035-6 with Capacitive Touch Panel to MCU STC12LE5A60S2



## RGB Interfacing to TFT LCD Controller or to MCU built-in TFT LCD Controller



Title: EASTRISING TECHNOLOGY CO.,LTD.

REV.	DESCRIPTION OF MODIFY	MODIFY BY	DATE	Size	Number	Rev.
A0	1'ST DESIGN	JIM	12-06-2015	A	ER-TFT035-6	A0
A1						
A2						