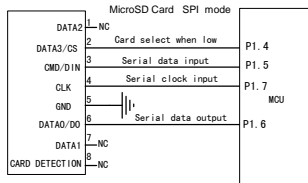
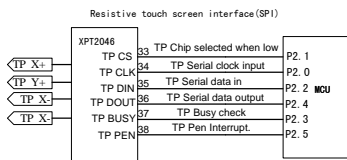
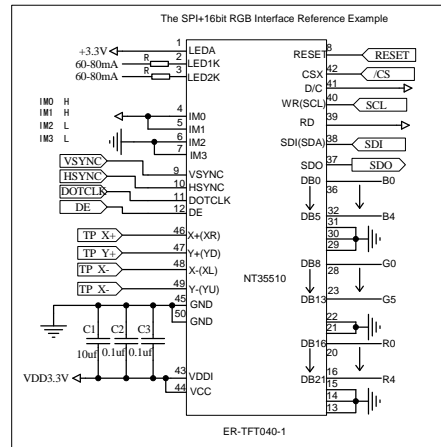
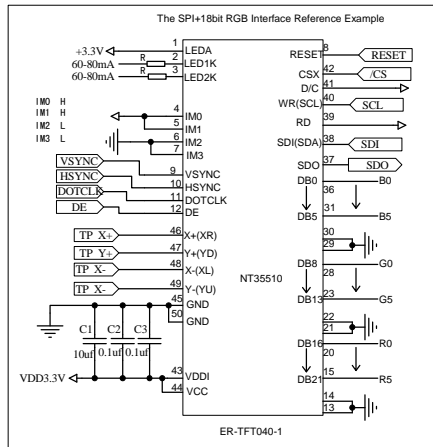
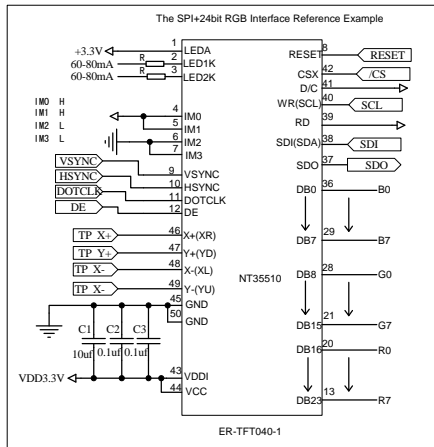
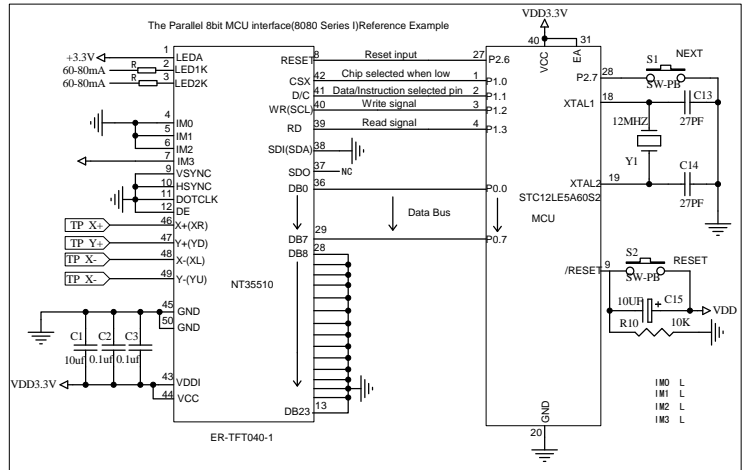
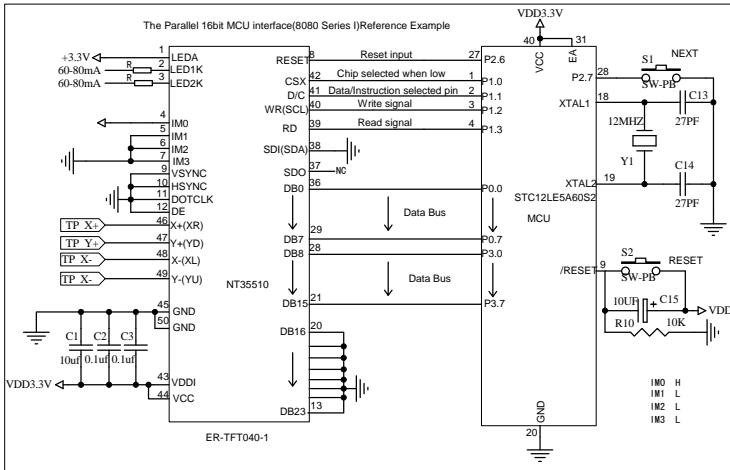
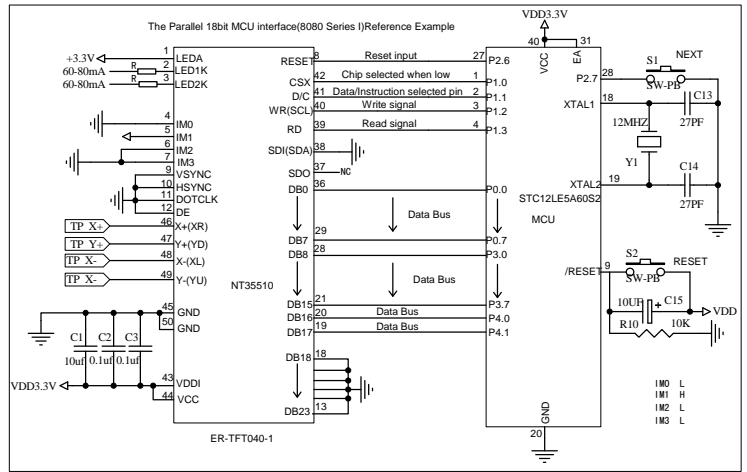
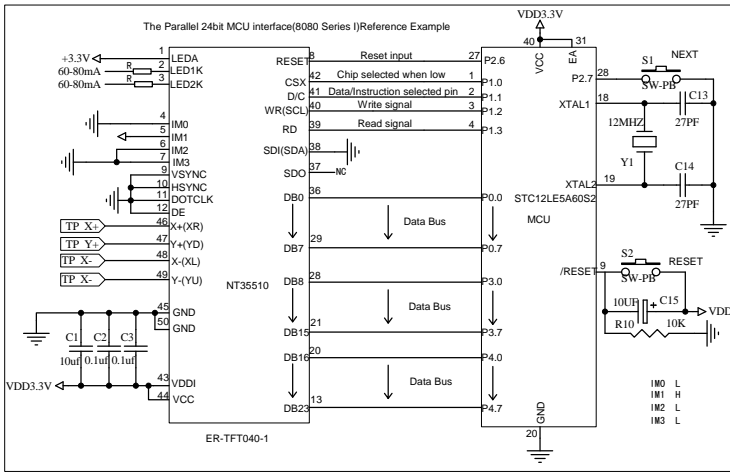


Interfacing TFT LCD Display ER-TFT040-1 to MCU STC12LE5A60S2



Title EASTRISING TECHNOLOGY CO.,LTD.

REV.	DESCRIPTION OF MODIFY	MODIFY BY	DATE	Size	Number	Revision
A0	1'ST DESIGN	JJM	Oct-24-2018	A	ER-TFT040-1	A0
A1				Date:	Oct-24-2018	Sheet of 1
A2				File		Drawn By Javen