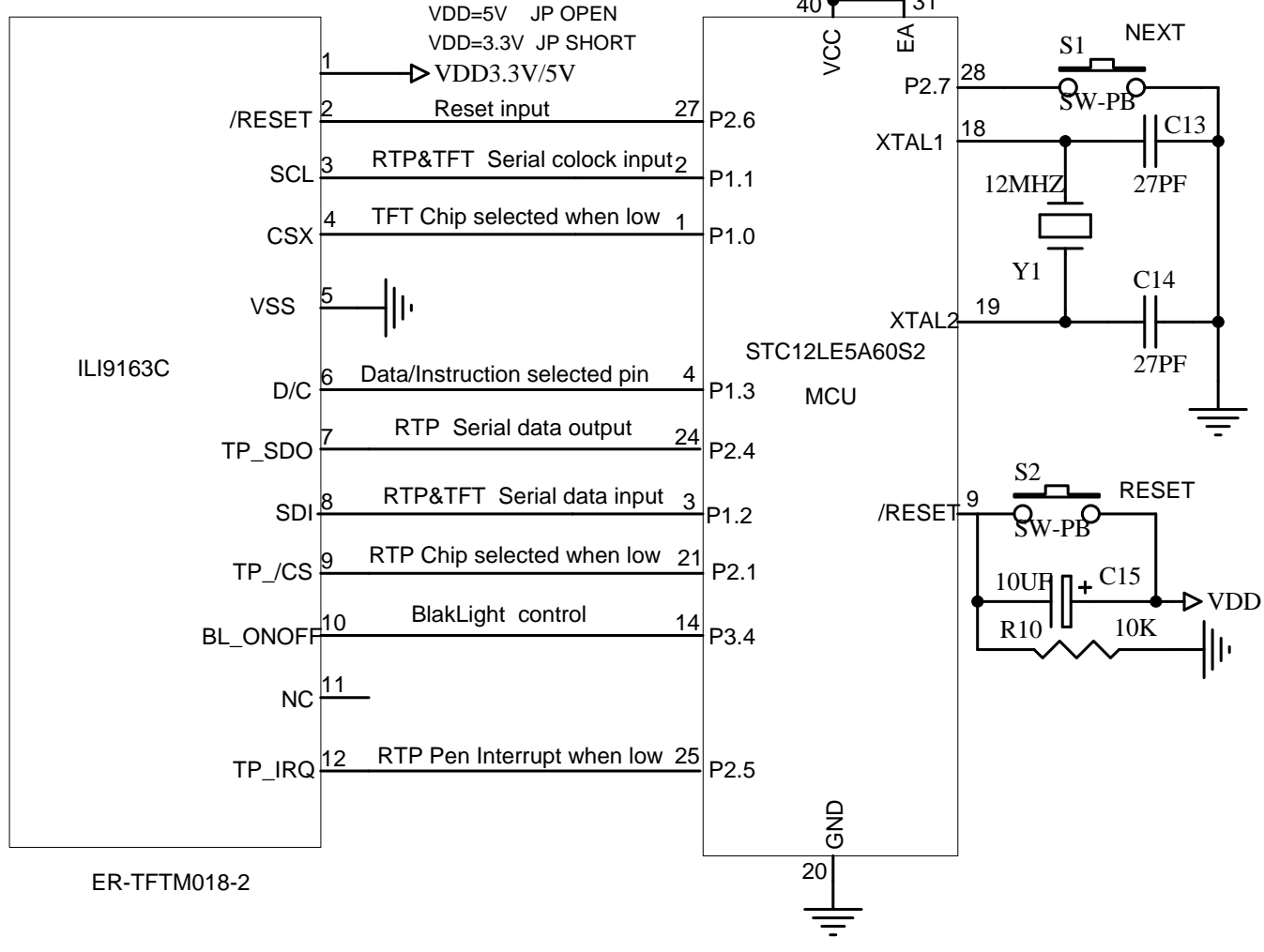


# Interfacing TFT LCD Module ER-TFTM018-2 to MCU STC12LE5A60S2

The Serial 4wire SPI MCU interface Reference Example



Title **EASTRISING TECHNOLOGY CO.,LTD.**

REV.	DESCRIPTION OF MODIFY	MODIFY BY	DATE	Size	Number	Revision	
A0	1'ST DESIGN	JIM	10-Sep-2018	A	<b>ER-TFTM018-2 wiht RTP</b>	A0	
A1				Date:		10-Sep-2018	Sheet of 1
A2				File			Drawn By Javen